

RYOBI MITER SAW - MODEL NUMBER TS1552LA

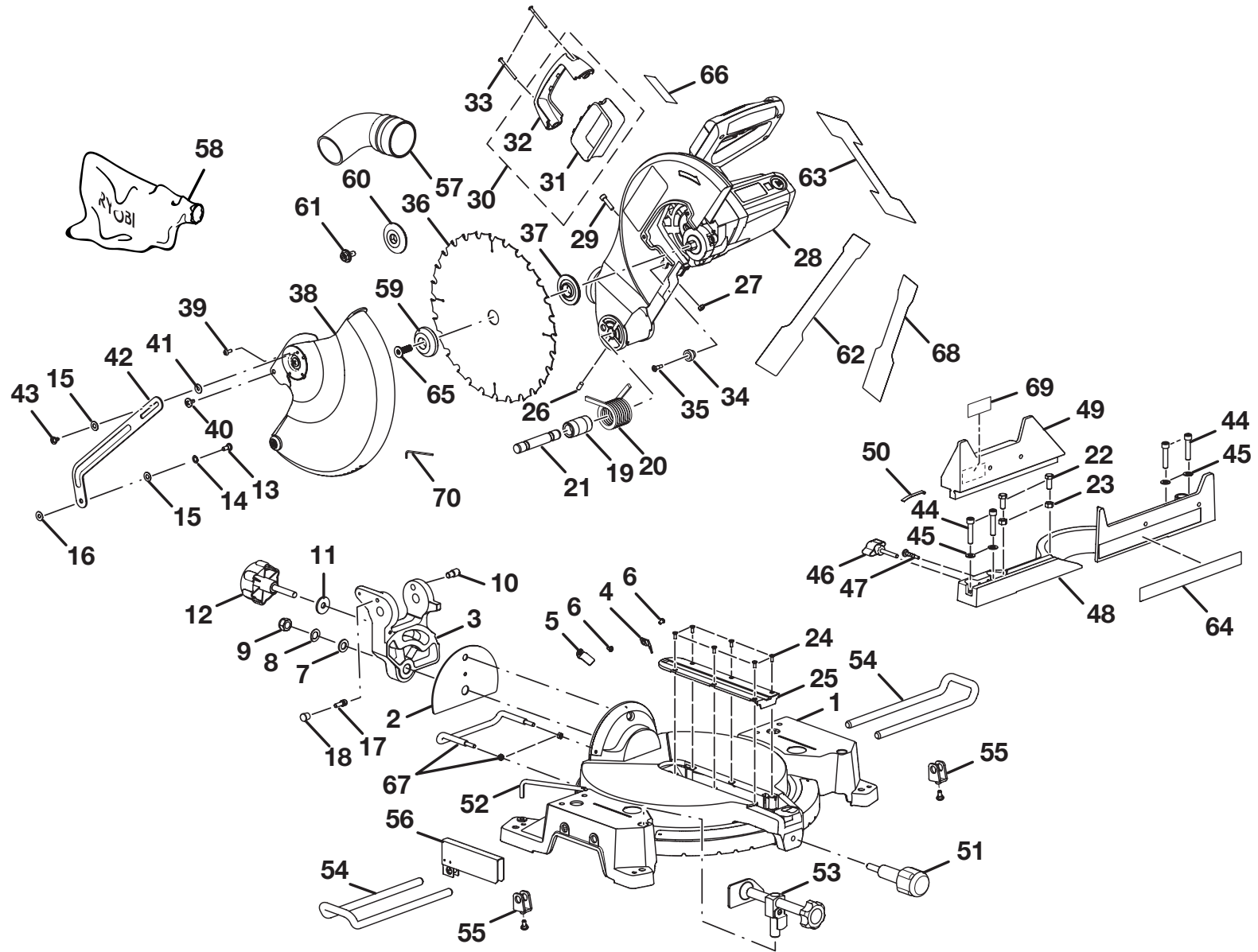


Figure A

## RYOBI MITER SAW – MODEL NUMBER TS1552LA

The model number will be found on a plate attached to the motor housing. Always mention the model number in all correspondence regarding your **MITER SAW** or when ordering repair parts.

### PARTS LIST (FIGURE A)

KEY NO.	PART NUMBER	DESCRIPTION	QTY	KEY NO.	PART NUMBER	DESCRIPTION	QTY
1	089100300701	BASE/MITER TABLE ASSEMBLY.....	1	38	089100300705	LOWER BLADE GUARD ASSEMBLY.....	1
2	270577000	PIVOT SHOE.....	1	39	089100100133	* SCREW (10-32 X 5/16 in. PAN HD.).....	1
3	089100300002	BEVEL PIVOT ASSEMBLY.....	1	40	089100300035	* SHOULDER BOLT (10-32 X 6.5 mm).....	1
4	303510000	BEVEL INDICATOR.....	1	41	021119002	* WASHER (5.5 X 16 X 0.8t).....	1
5	089100300004	BEVEL SCALE INDICATOR (LEFT).....	1	42	270579000	LEVER.....	1
6	020716007	* SCREW w/WASHER (M5 X 0.8 X 10 mm PAN HD.).....	2	43	028931002	* SHOULDER SCREW (M5 X 0.8P).....	1
7	021117003	WASHER.....	1	44	020606009	* SCREW (5/16-18 X 1-1/2 in.).....	4
8	021611000	WAVY WASHER.....	1	45	021120003	* WASHER (8 X 16 X 1.2t).....	4
9	022300001	NYLON LOCK NUT.....	1	46	089100300041	* KNOB (M6 X 1P X 40 mm).....	1
10	028969001	LOCK PIN.....	1	47	089100300042	SPECIAL BOLT.....	1
11	021109019	FLAT WASHER.....	1	48	089100300043	FENCE.....	1
12	303451002	BEVEL LOCK KNOB.....	1	49	089100300044	SLIDING MITER FENCE.....	1
13	020113008	* SCREW-SHOULDER (M6 X 10 mm).....	1	50	089100300045	* SPRING (51.5 X 7 X 0.4t).....	1
14	021403007	* WAVY WASHER (7.5 X 12.7 X 0.4t).....	1	51	900786003	MITER LOCK HANDLE.....	1
15	021103010	* WASHER (7.5 X 16 X 0.8t).....	2	52	040027001	BLADE WRENCH.....	1
16	021101033	WASHER.....	1	53	089100300706	WORK CLAMP ASSEMBLY.....	1
17	130064000	LOCK PIN.....	1	54	089100300048	TABLE EXTENSION.....	2
18	089100300017	LOCK PIN COVER.....	1	55	089100300707	TABLE EXTENSION CLAMP BRACKET ASSEMBLY.....	2
19	303226000	SPRING SPACER.....	1	56	900757000	STOP BLOCK.....	1
20	029233001	TORSION SPRING.....	1	57	089100300049	DUST GUIDE.....	1
21	132068000	ARM PIVOT SHAFT.....	1	58	089100300050	DUST BAG (24 X 26 X 10).....	1
22	020314015	HEX SCREW.....	2	59	089100300725	ADJUSTABLE LASER.....	1
23	022116001	HEX NUT.....	2	60	290257000	OUTER BLADE WASHER.....	1
24	020804011	SCREW.....	6	61	089100300053	* BLADE BOLT (M10 X 18 mm).....	1
25	089100300024	THROAT PLATE (TABLE INSERT).....	1	62	089100300901	HANDLE WARNING LABEL.....	1
26	020504009	* LOCKING SCREW (M6 X 1P X 10 mm).....	1	63	089100300902	HANG TAG WARNING LABEL.....	1
27	022111007	NUT (M6).....	1	64	870033002	FENCE SCALE.....	1
28	089100300702	MOTOR ASSEMBLY.....	1	65	020325001	HEX BOLT (LASER).....	1
29	089100300027	* HEX SOCKET BOLT (M6 X 1P X 24 mm).....	1	66	089100304900	DATA LABEL.....	1
30	089100300703	CARRY HANDLE ASSEMBLY.....	1	67	089100300913	ANTI TIP ASSEMBLY (BRKT & NUTS).....	1
31	303711000	CARRY HANDLE (LOWER).....	1	68	089100300914	ANTI TIP LABEL - (HANG TAG).....	1
32	303710000	CARRY HANDLE (UPPER).....	1	69	089100304902	SLIDING FENCE LABEL.....	1
33	020132005	* SCREW (M4 X 45 mm PAN HD.).....	2	70	089100300726	HEX KEY (1/16 in.).....	1
34	089100300031	RUBBER SLEEVE.....	1	71	089100300721	ADJUSTABLE LASER KIT (INC. KEY NOS. 59, 65 & 70).....	1
35	028921003	* SCREW (10-32 X 20 mm).....	1			OPERATOR'S MANUAL	
36	089100300704	BLADE.....	1		987000163		
37	089100300033	INNER BLADE WASHER.....	1		9-20-07 (REV:01)		

\* STANDARD HARDWARE ITEM – MAY BE PURCHASED LOCALLY

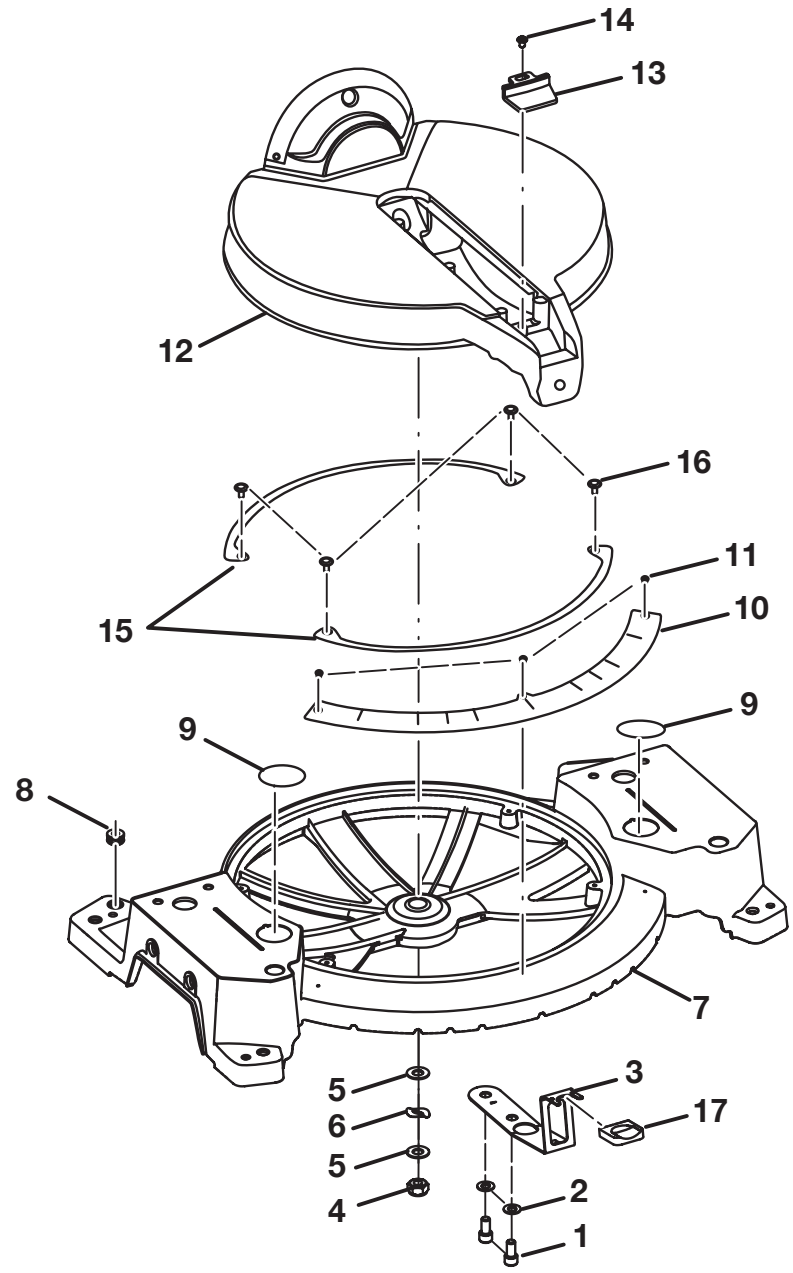


Figure B

## RYOBI MITER SAW – MODEL NUMBER TS1552LA

The model number will be found on a plate attached to the motor housing. Always mention the model number in all correspondence regarding your **MITER SAW** or when ordering repair parts.

### PARTS LIST (FIGURE B)

KEY NO.	PART NUMBER	DESCRIPTION	QTY
	089100300701	BASE/MITER TABLE ASSEMBLY (INC. KEY NOS.1-17).....	1
1	020606013	* HEX SOCKET BOLT (5/16 X 18 X 14.8 mm) .....	2
2	021120003	* WASHER (8 X 16 X 1.2t).....	2
3	270575000	SPRING INDEX .....	1
4	022308001	NYLON NUT .....	1
5	021109011	* FLAT WASHER (10 X 21 X 1.2t).....	2
6	021403001	WAVY WASHER .....	1
7	225234000	BASE .....	1
8	330030000	GROMMET .....	1
9	867227001	WARNING LABEL (NO HANDS).....	2
10	870033000	MITER SCALE .....	1
11	024400000	SCREW .....	3
12	089100300709	MITER TABLE ASSEMBLY .....	1
13	303515000	MITER POINTER .....	1
14	020716007	* SCREW w/WASHER (M5 X 0.8 X 10 mm PAN HD.).....	1
15	303514000	SHOE .....	2
16	020726003	* SCREW w/WASHER (M4 X 0.7 X 8 mm).....	4
17	303254000	MITER LOCK PLATE .....	1

\* STANDARD HARDWARE ITEM – MAY BE PURCHASED LOCALLY

RYOBI MITER SAW – MODEL NUMBER TS1552LA

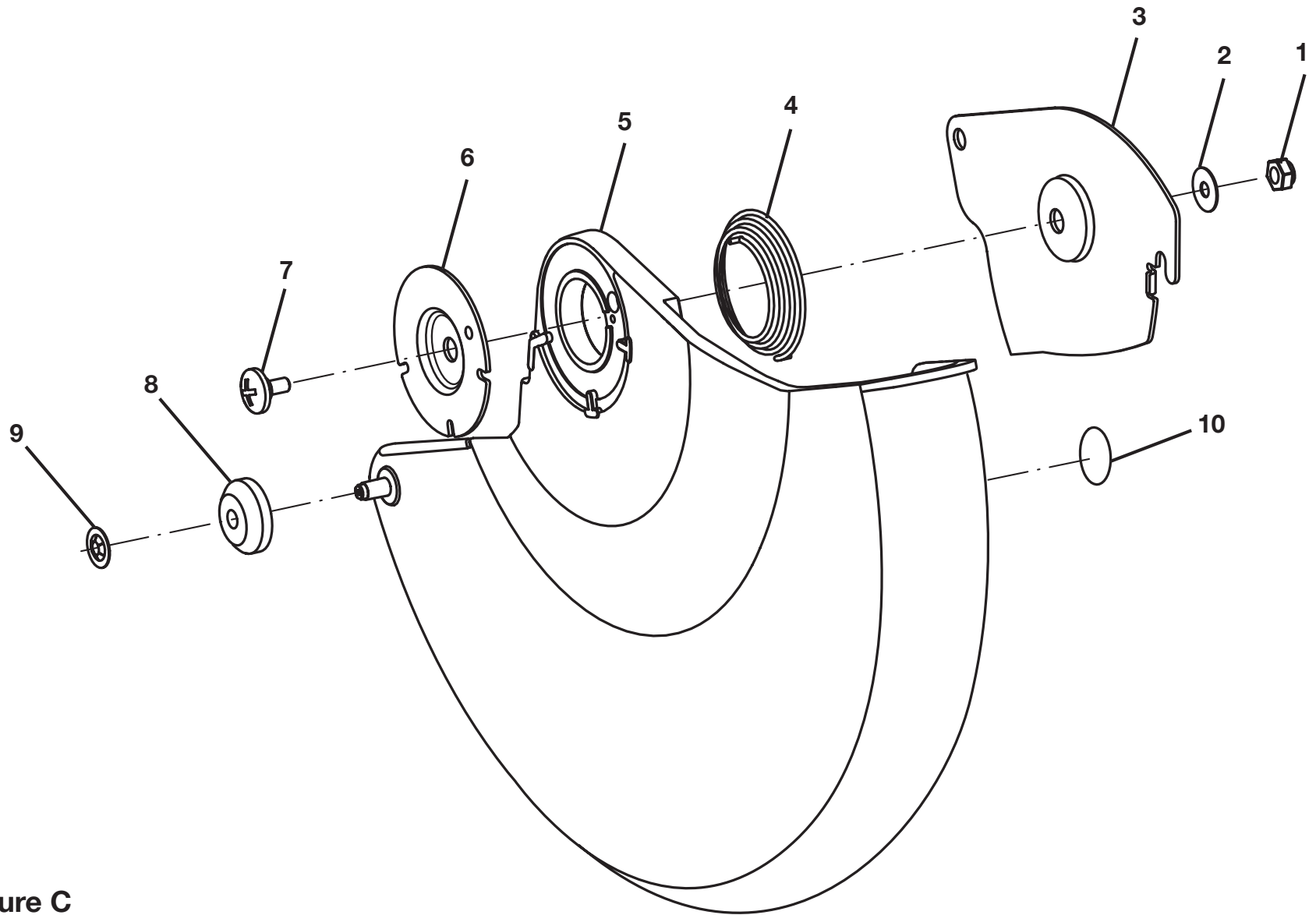


Figure C

**RYOBI MITER SAW – MODEL NUMBER TS1552LA**

The model number will be found on a plate attached to the motor housing. Always mention the model number in all correspondence regarding your **MITER SAW** or when ordering repair parts.

**PARTS LIST (FIGURE C)**

<b>KEY NO.</b>	<b>PART NUMBER</b>	<b>DESCRIPTION</b>	<b>QTY</b>
	089100300705	LOWER BLADE GUARD ASSEMBLY (INC. KEY NOS. 1-10) .....	1
1	022307001	* NUT (10-32) .....	1
2	021108006	* WASHER (13/64 X 15/32 X 0.5t) .....	1
3	089100300121	BLADE BOLT COVER .....	1
4	089100300122	SPRING .....	1
5	089100300123	LOWER BLADE GUARD .....	1
6	270376005	LOWER GUARD PLATE .....	1
7	028939010	* SCREW (10-32) .....	1
8	303993000	RUBBER WHEEL .....	1
9	022711000	PLATE NUT .....	1
10	089100300912	WARNING LABEL .....	1

\* STANDARD HARDWARE ITEM – MAY BE PURCHASED LOCALLY

RYOBI MITER SAW – MODEL NUMBER TS1552LA

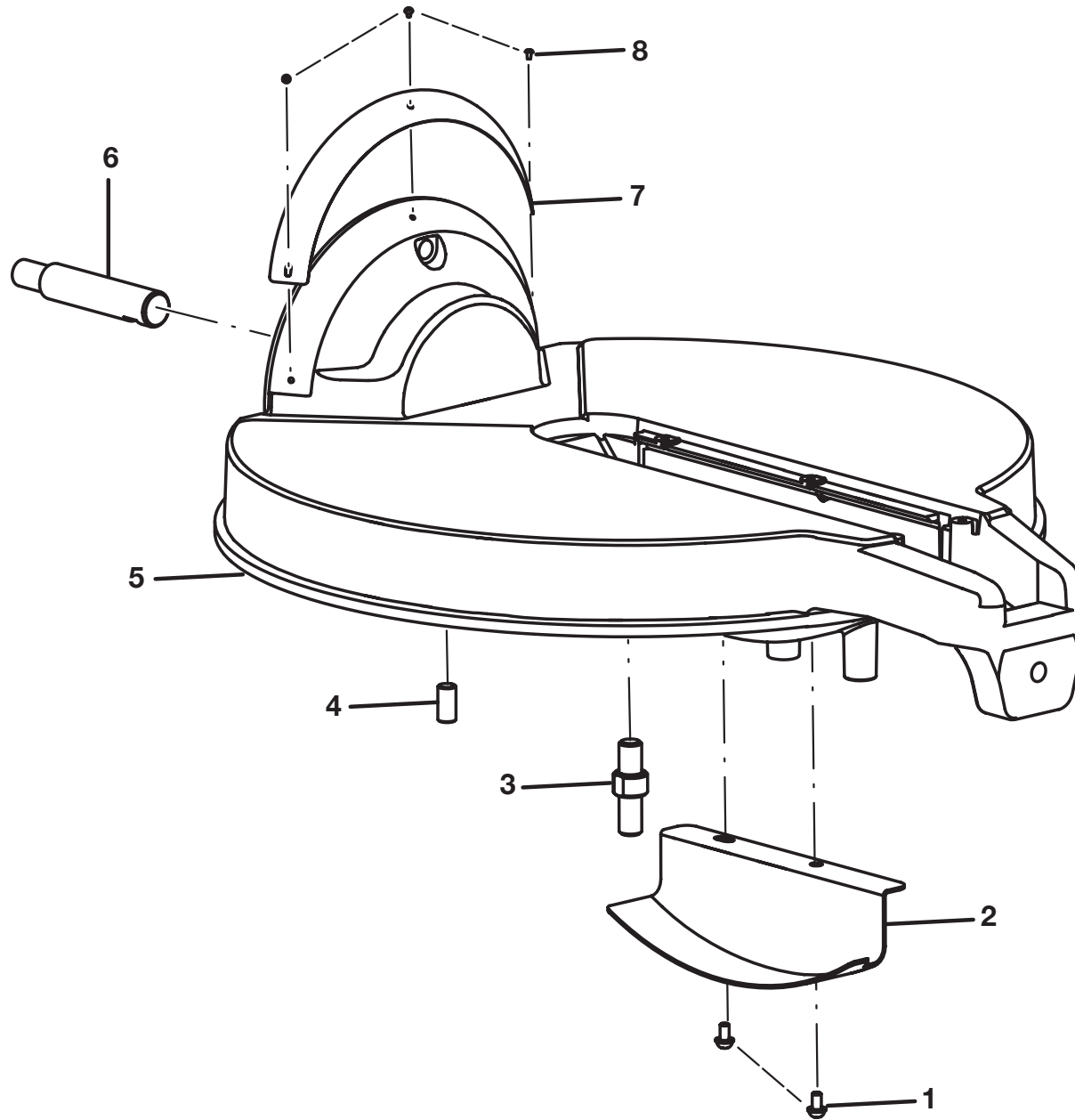


Figure D

## RYOBI MITER SAW – MODEL NUMBER TS1552LA

The model number will be found on a plate attached to the motor housing. Always mention the model number in all correspondence regarding your **MITER SAW** or when ordering repair parts.

### PARTS LIST (FIGURE D)

KEY NO.	PART NUMBER	DESCRIPTION	QTY
	089100300709	MITER TABLE ASSEMBLY (INC. KEY NOS. 1-8).....	1
1	020704002	SCREW w/WASHER (M5 X 0.8 X 10 mm).....	2
2	270576000	TABLE GUARD.....	1
3	028961001	SHOULDER BOLT.....	1
4	020505009	SET SCREW.....	1
5	089100300116	MITER TABLE.....	1
6	028307007	PIVOT SHAFT.....	1
7	089100300911	BEVEL SCALE.....	1
8	024400000	RIVETS.....	3

\* STANDARD HARDWARE ITEM – MAY BE PURCHASED LOCALLY



RYOBI MITER SAW - MODEL NUMBER TS1552LA

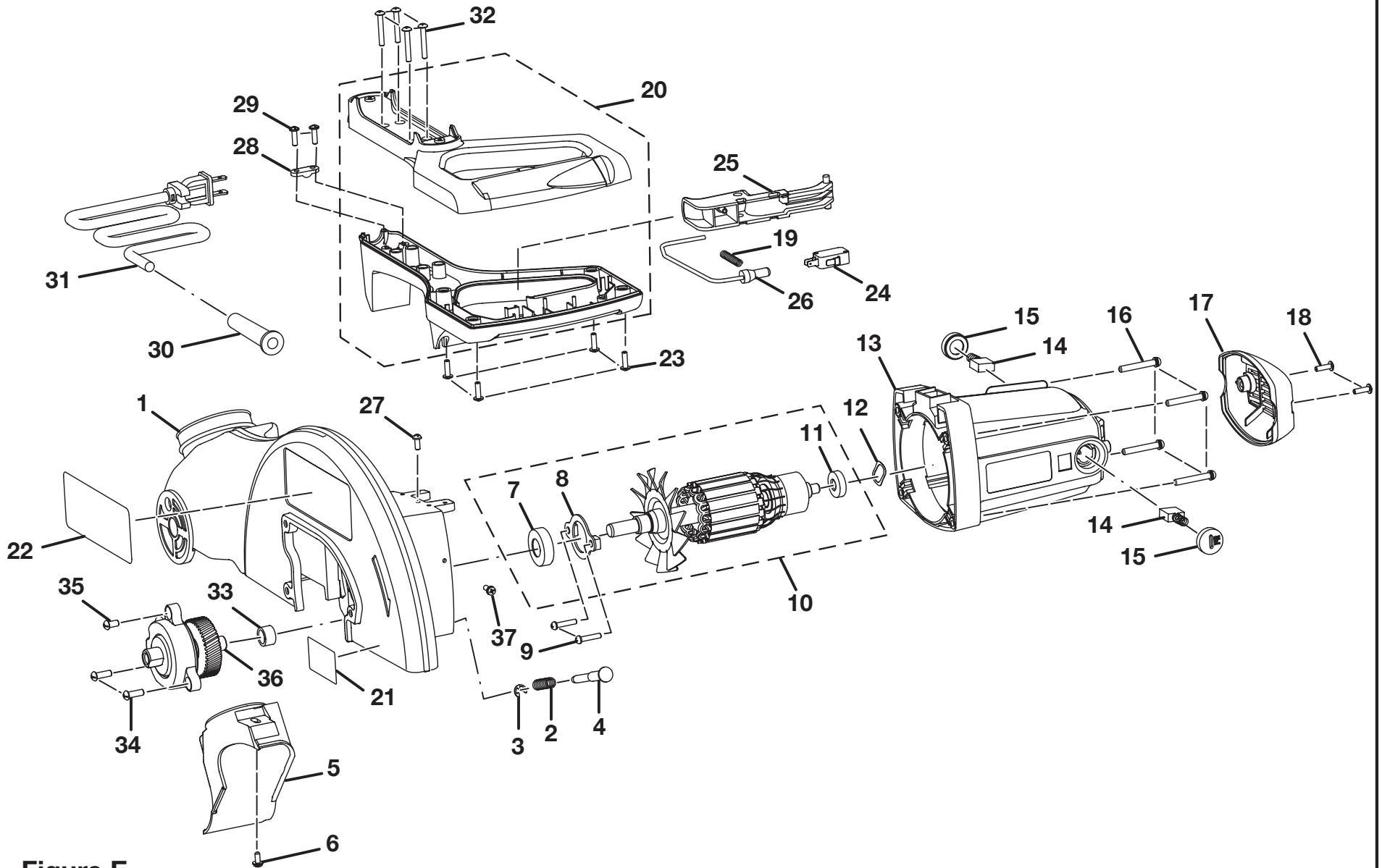


Figure E

## RYOBI MITER SAW – MODEL NUMBER TS1552LA

The model number will be found on a plate attached to the motor housing. Always mention the model number in all correspondence regarding your **MITER SAW** or when ordering repair parts.

### PARTS LIST (FIGUR E)

KEY NO.	PART NUMBER	DESCRIPTION	QTY	KEY NO.	PART NUMBER	DESCRIPTION	QTY
	089100300702	MOTOR ASSEMBLY .....	1	18	089100300094	SCREW (M4 X 2P X 16 mm SPECIAL) .....	2
1	089100300078	UPPER BLADE GUARD.....	1	19	029166001	* SPRING (6.2 X 0.8 X 37 mm).....	1
2	029151001	* SPRING (7.7 X 1 X 30 mm).....	1	20	089100300713	MAIN HANDLE ASSEMBLY .....	1
3	023206001	RETAINING RING (E-6).....	1	21	089100300909	UPPER GUARD WARNING LABEL .....	1
4	290206001	ARBOR LOCK.....	1	22	089100300910	LOGO LABEL (UPPER GUARD).....	1
5	089100300082	DUST CHUTE .....	1	23	020132003	SCREW (M4 X 14 mm PAN HD. SPECIAL).....	4
6	089100100070	* SCREW w/WASHER (M5 X 0.8 X 8 mm) .....	1	24	303288000	MICRO SWITCH (125/250 VAC).....	1
7	050001100	BALL BEARING .....	1	25	089100300099	SWITCH ACTUATOR .....	1
8	270026000	BEARING PLATE .....	1	26	089100300100	WIRE NUT (P3) .....	1
9	089100300086	* SCREW w/WASHER (M4 X 0.7 X 23 mm) .....	2	27	020103033	* SCREW (M4 X 10 mm) .....	1
10	089100300711	ARMATURE ASSEMBLY (INC. KEY NOS. 7, 8 & 11) .....	1	28	303006000	CORD CLAMP .....	1
11	050007000	BALL BEARING .....	1	29	020132000	* SCREW (M4 X 0.7 X 14 mm) .....	2
12	021400001	WAVE WASHER.....	1	30	330021000	BEND RELIEF .....	1
13	089100300089	MOTOR HOUSING w/FIELD .....	1	31	089100300105	POWER CORD .....	1
14	089100300090	BRUSH ASSEMBLY.....	2	32	089100300106	* SCREW (M4 X 0.7P X 28 mm).....	4
15	089100300091	BRUSH COVER (M22 X 1P).....	2	33	052002000	NEEDLE BEARING .....	1
16	089100300092	* SCREW w/WASHER (M5 X 35 mm) .....	4	34	089100300109	* SCREW w/WASHER (M5 X 0.8 X 12 mm) .....	2
17	089100300093	END CAP .....	1	35	020704004	SCREW.....	1
				36	089100300712	OUTPUT SHAFT ASSEMBLY .....	1
				37	089100300111	* SCREW w/WASHER (M4 X 10) .....	1

\* STANDARD HARDWARE ITEM – MAY BE PURCHASED LOCALLY

RYOBI MITER SAW – MODEL NUMBER TS1552LA

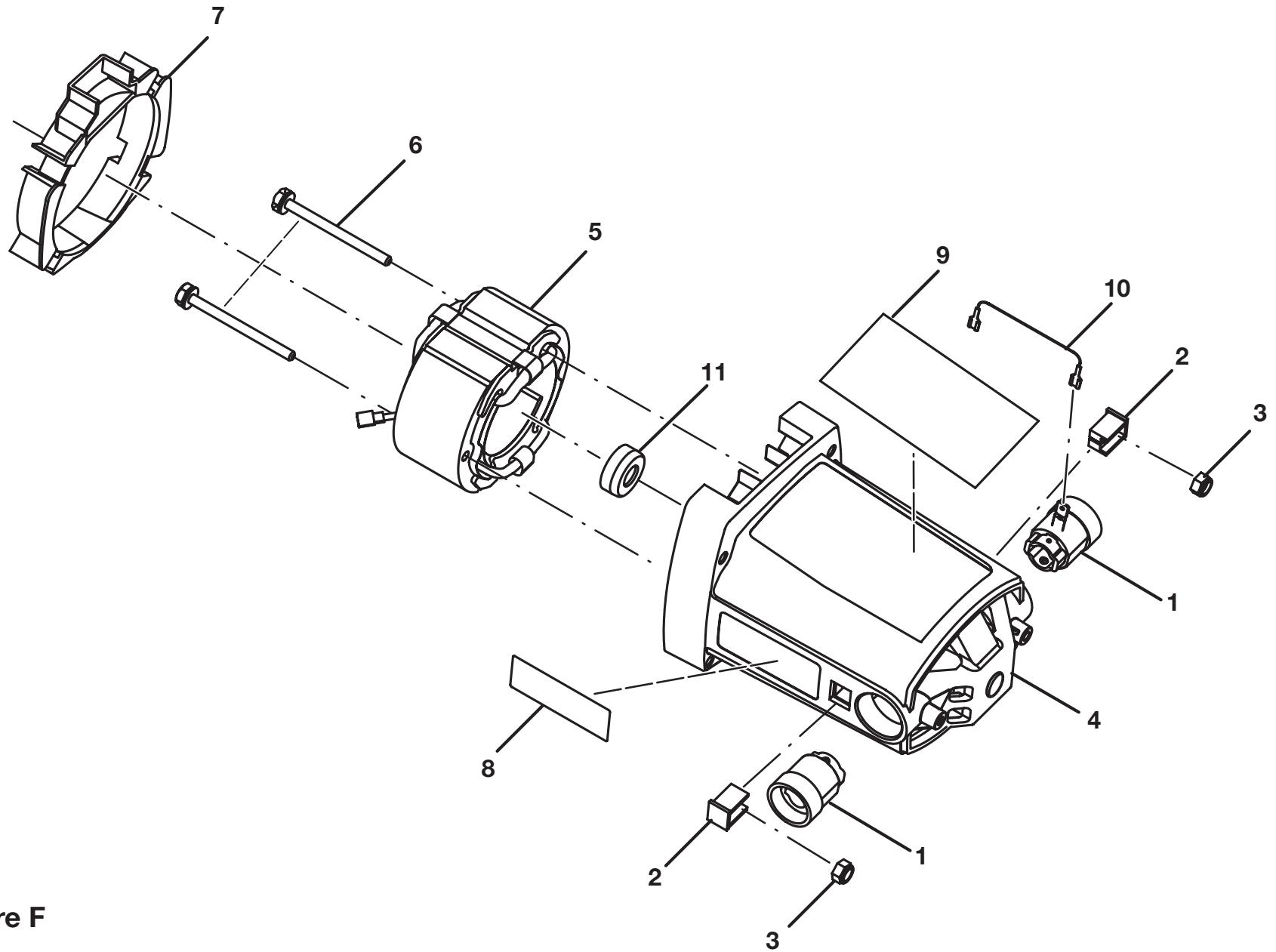


Figure F

**RYOBI MITER SAW – MODEL NUMBER TS1552LA**

The model number will be found on a plate attached to the motor housing. Always mention the model number in all correspondence regarding your **MITER SAW** or when ordering repair parts.

**PARTS LIST (FIGURE F)**

KEY NO.	PART NUMBER	DESCRIPTION	QTY
	089100300710	MOTOR HOUSING W/FIELD ASSEMBLY (INC. KEY NOS. 1-11).....	1
1	303302000	BRUSH HOLDER .....	2
2	303002001	NUT HOLDER.....	2
3	022301001	* NYLON NUT (M5 X 0.8P) .....	2
4	089100300072	MOTOR HOUSING .....	1
5	089100300073	FIELD ASSEMBLY W/LEADS .....	1
6	028600001	* SCREW w/WASHER (M5 X 0.8 X 65 mm PAN HD.).....	2
7	089100300075	BAFFLE .....	1
8	089100300907	LOGO .....	1
9	089100300908	WARNING LABEL .....	1
10	089100300076	ARMATURE OUTPUT LEAD.....	1
11	330052000	BEARING COVER .....	1

**WARNING:** Improper repair of a double insulated tool can result in damage to the double insulation system possibly causing electrical shock or electrocution. Any repairs requiring disassembly of your tool requires safety testing and should only be performed by a Ryobi Authorized Service Center. For the service center nearest you call 1-800-525-2579.

\* STANDARD HARDWARE ITEM – MAY BE PURCHASED LOCALLY