

RYOBI MITER SAW – MODEL NUMBER TS1552DXL

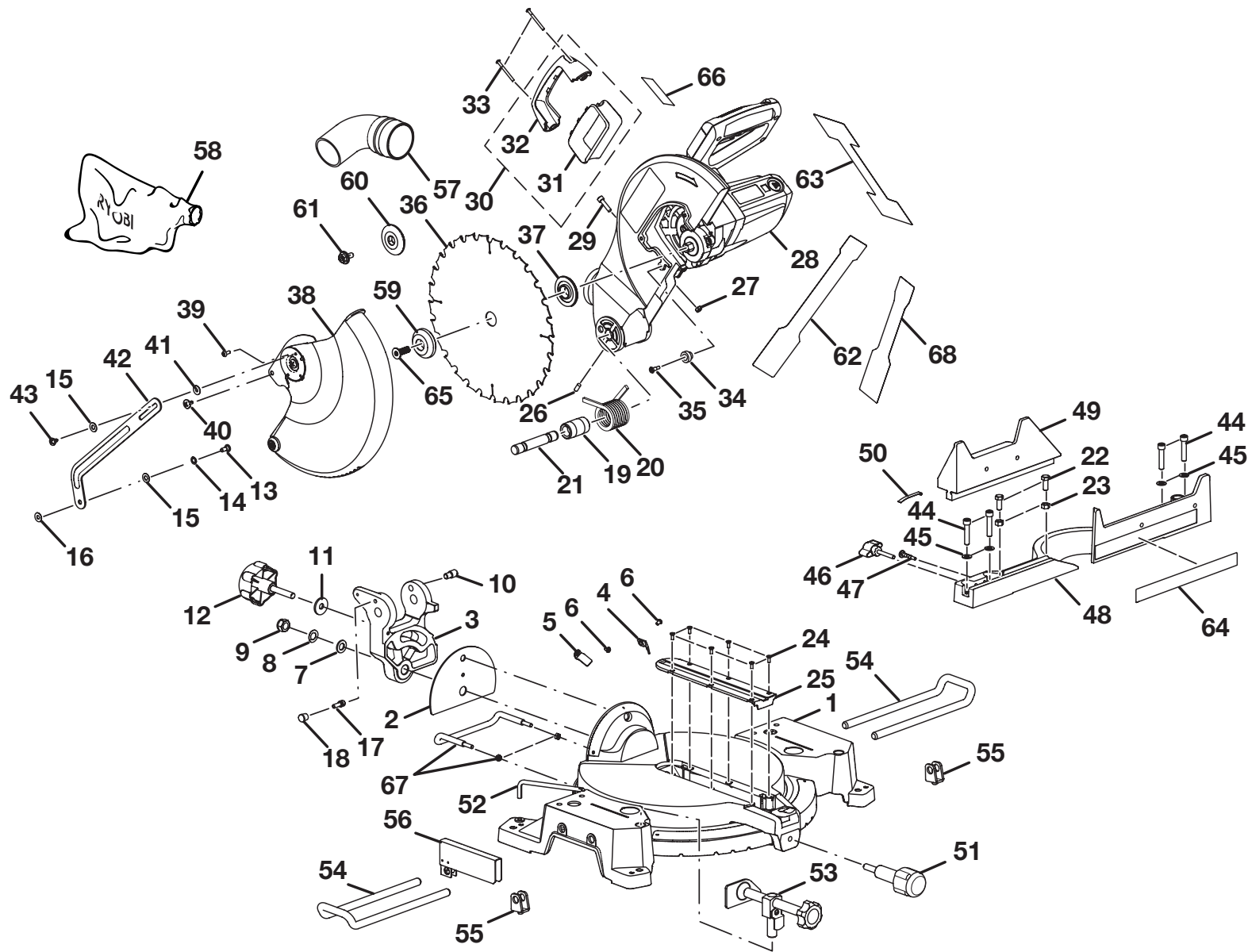


Figure A

**WARNING:** Improper repair of a double insulated tool can result in damage to the double insulation system possibly causing electrical shock or electrocution. Any repairs requiring disassembly of your tool requires safety testing and should only be performed by a Ryobi Authorized Service Center. For the service center nearest you call 1-800-525-2579.

## RYOBI MITER SAW – MODEL NUMBER TS1552DXL

The model number will be found on a plate attached to the motor housing. Always mention the model number in all correspondence regarding your **MITER SAW** or when ordering repair parts.

### PARTS LIST (FIGURE A)

KEY NO.	PART NUMBER	DESCRIPTION	QTY	KEY NO.	PART NUMBER	DESCRIPTION	QTY
1	089100300701	BASE/TABLE ASSEMBLY .....	1	36	089100300704	BLADE.....	1
2	270577000	PIVOT SHOE .....	1	37	089100300033	INNER BLADE FLANGE.....	1
3	089100300002	PIVOT .....	1	38	089100300705	LOWER BLADE GUARD ASSEMBLY .....	1
4	303510000	BEVEL INDICATOR .....	1	39	089100100133	* SCREW (10-32 X 5/16 in. PAN HD.).....	1
5	089100300004	BEVEL SCALE INDICATOR (LEFT).....	1	40	089100300035	* SHOULDER BOLT (#10-32 X 6.5L) .....	1
6	020716007	* SCREW W/WASHER (M5 X 0.8 X 10 mm PAN HD.) .....	2	41	021119002	* WASHER (5.5 X 16 X 0.8t).....	1
7	021117003	WASHER .....	1	42	270579000	LEVER .....	1
8	021611000	WAVE .....	1	43	028931002	* SHOULDER SCREW (M5 X 0.8P) .....	1
9	022300001	NYLON LOCK NUT .....	1	44	020606009	* SCREW (5/16 X 18NC X 1-1/2).....	4
10	028969001	VERTICAL STOP PIN .....	1	45	021120003	* WASHER (8 X 16 X 1.2t).....	4
11	021109019	FLAT WASHER.....	1	46	089100300041	* KNOB (M6 X 1P X 40L) .....	1
12	303451002	BEVEL HANDLE.....	1	47	089100300042	SPECIAL BOLT .....	1
13	020113008	* SCREW-SHOULDER (M6 X 10 mm).....	1	48	089100300043	FENCE .....	1
14	021403007	* WAVE WASHER (7.5 X 12.7 X 0.4t).....	1	49	089100300044	SLIDE FENCE .....	1
15	021103010	* WASHER (7.5 X 16 X 0.8t).....	2	50	089100300045	* SPRING (51.5 X 7 X 0.4t) .....	1
16	021101033	WASHER .....	1	51	900786003	MITER HANDLE .....	1
17	130064000	LATCH PIN .....	1	52	040027001	WRENCH .....	1
18	089100300017	LATCH PIN KNOB .....	1	53	089100300706	WORK CLAMP ASSEMBLY .....	1
19	303226000	TORSION SPRING SPACER.....	1	54	089100300048	EXTENSION ARM (INCLUDE PE BAG) .....	2
20	029233001	TORSION SPRING.....	1	55	089100300707	EXTENSION ARM CLAMP BRACKET ASSEMBLY .....	2
21	132068000	PIVOT BOLT .....	1	56	900757000	STOP BLOCK .....	1
22	020314015	BEVEL POSITION HEX SCREW.....	2	57	089100300049	DUST GUIDE.....	1
23	022116001	HEX NUT .....	2	58	089100300050	DUST BAG T/C (24 X 26 X 10).....	1
24	020804011	SCREW .....	6	59	373008000	LASER.....	1
25	089100300024	THROAT PLATE (TABLE INSERT) .....	1	60	290257000	OUTER BLADE COLLAR .....	1
26	020504009	* LOCKING SCREW (M6 X 1P X 10L) .....	1	61	089100300053	* ARBOR SCREW (M10 X 18L).....	1
27	022111007	NUT (M6).....	1	62	089100300901	HANDLE WARNING LABEL .....	1
28	089100300702	MOTOR ASSEMBLY .....	1	63	089100300902	HANG TAG WARNING LABEL .....	1
29	089100300027	* HEX SOCKET BOLT (M6 X 1P X 24) .....	1	64	870033002	FENCE SCALE .....	1
30	089100300703	CARRY HANDLE ASSEMBLY .....	1	65	020325001	ARBOR SCREW (LASER).....	1
31	303711000	CARRY HANDLE (UNDER).....	1	66	089100300904	DATA LABEL.....	1
32	303710000	CARRY HANDLE (UPPER).....	1	67	089100300913	ANTI TIP ASSEMBLY - (BRKT & NUTS).....	1
33	020132005	* SCREW (M4 X 45L - PAN HD.) .....	2	68	089100300914	ANTI TIP LABEL - (HANG TAG).....	1
34	089100300031	RUBBER SLEEVE .....	1		983000552	OPERATOR'S MANUAL	
35	028921003	* SCREW (10-32 X 20L).....	1		03-16-07 (REV:01)		

\* STANDARD HARDWARE ITEM – MAY BE PURCHASED LOCALLY

RYOBI MITER SAW - MODEL NUMBER TS1552DXL

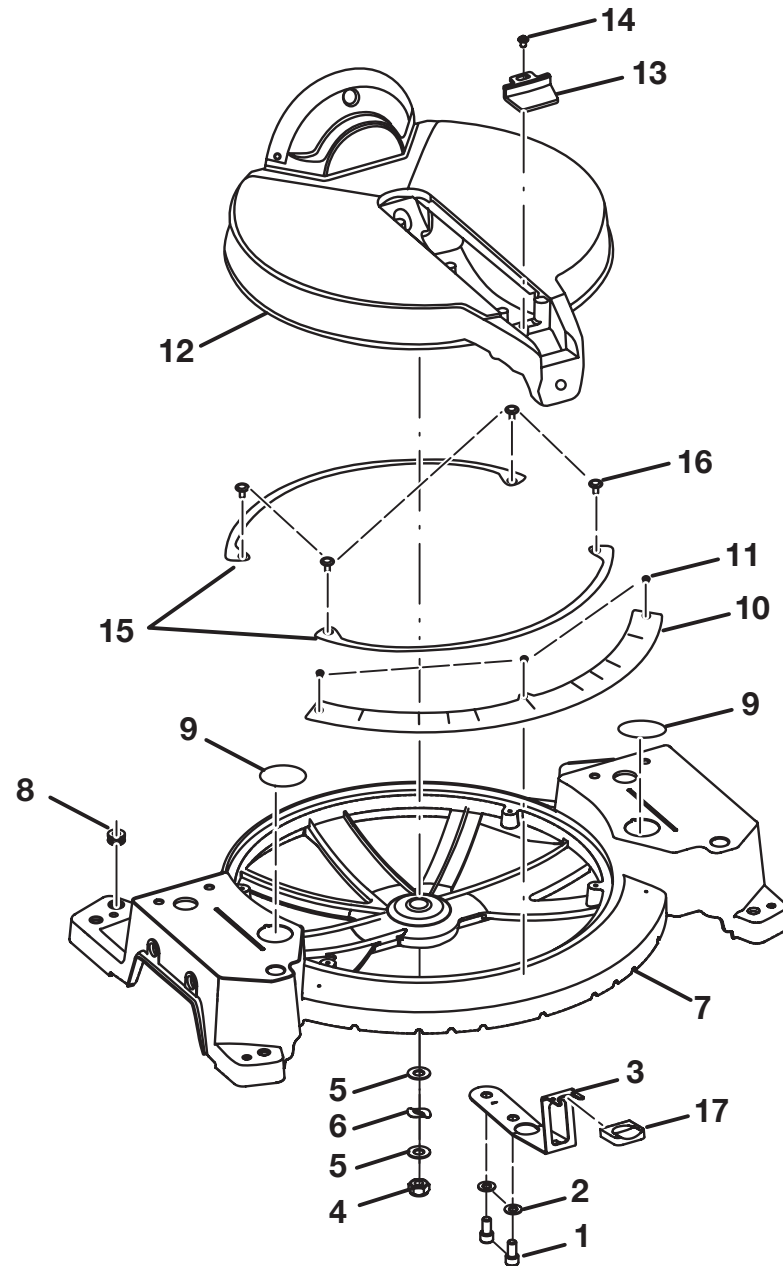


Figure B

## RYOBI MITER SAW – MODEL NUMBER TS1552DXL

The model number will be found on a plate attached to the motor housing. Always mention the model number in all correspondence regarding your **MITER SAW** or when ordering repair parts.

### PARTS LIST (FIGURE B)

KEY NO.	PART NUMBER	DESCRIPTION	QTY
	089100300701	BASE & TABLE ASSEMBLY (INC. KEY NOS.1-17) .....	1
1	020606013	* HEX SOCKET BOLT (5/16 X 18 X 14.8 mm) .....	2
2	021120003	* WASHER (8 X 16 X 1.2t).....	2
3	270575000	SPRING INDEX .....	1
4	022308001	NYLON NUT.....	1
5	021109011	* FLAT WASHER (10 X 21 X 1.2t).....	2
6	021403001	WAVE WASHER .....	1
7	225234000	BASE .....	1
8	330030000	GROMMET .....	1
9	867227001	GUARD WARNING LABEL.....	2
10	870033000	MITER SCALE .....	1
11	024400000	COACH SCREW.....	3
12	089100300709	TABLE ASSEMBLY .....	1
13	303515000	MITER POINTER .....	1
14	020716007	* SCREW W/WASHER (M5 X 0.8 X 10 mm PAN HD.).....	1
15	303514000	SHOE .....	2
16	020726003	* SCREW W/WASHER (M4 X 0.7 X 8L) .....	4
17	303254000	MITER INDEX GRIP.....	1

**WARNING: Improper repair of a double insulated tool can result in damage to the double insulation system possibly causing electrical shock or electrocution. Any repairs requiring disassembly of your tool requires safety testing and should only be performed by a Ryobi Authorized Service Center. For the service center nearest you call 1-800-525-2579.**

\* STANDARD HARDWARE ITEM – MAY BE PURCHASED LOCALLY

RYOBI MITER SAW – MODEL NUMBER TS1552DXL

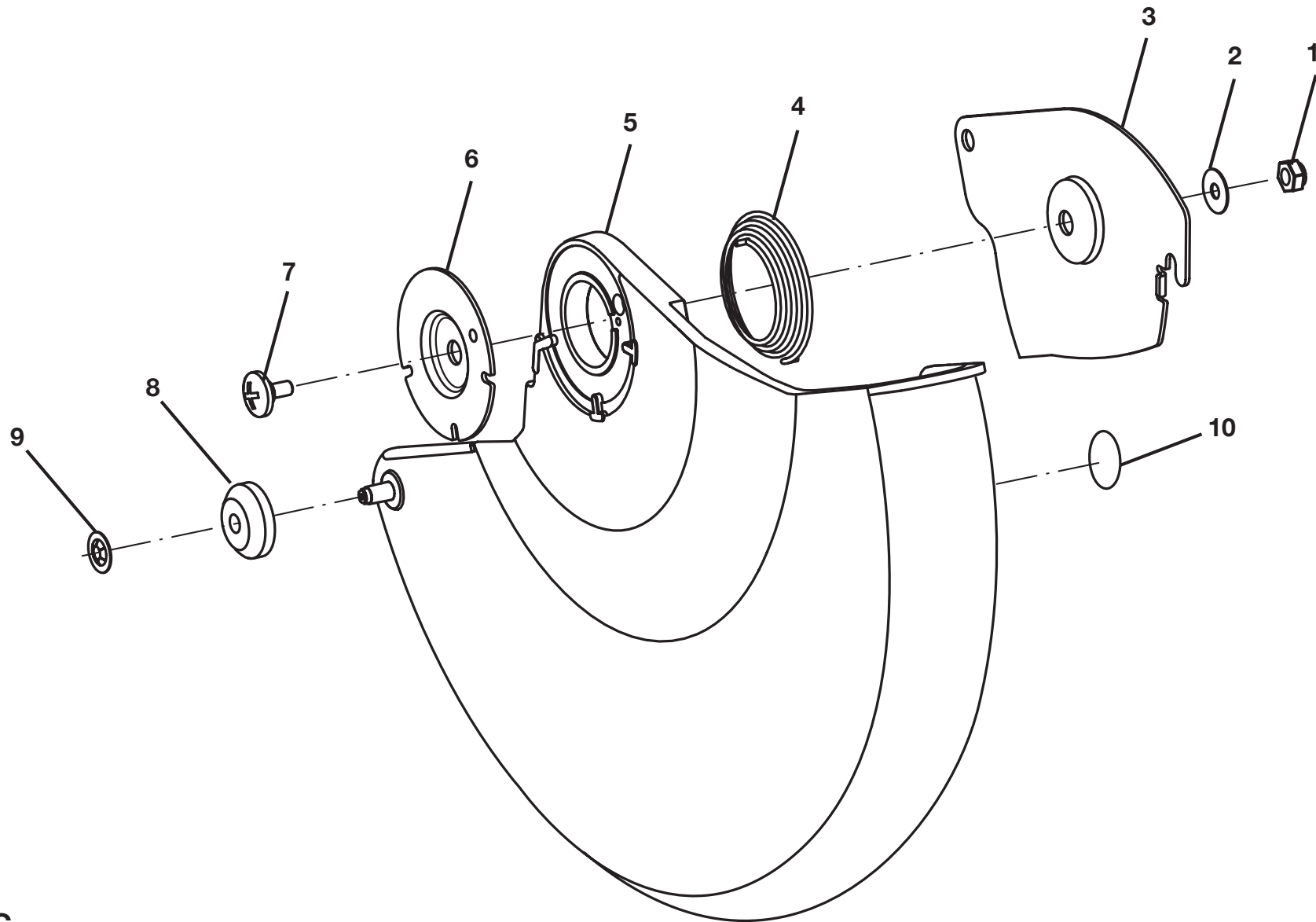


Figure C

**RYOBI MITER SAW – MODEL NUMBER TS1552DXL**

The model number will be found on a plate attached to the motor housing. Always mention the model number in all correspondence regarding your **MITER SAW** or when ordering repair parts.

**PARTS LIST (FIGURE C)**

KEY NO.	PART NUMBER	DESCRIPTION	QTY
	089100300705	LOWER BLADE GUARD ASSEMBLY (INC. KEY NOS. 1-10).....	1
1	022307001	* NUT (#10-32).....	1
2	021108006	* WASHER (13/64 X 15/32 X 0.5t).....	1
3	089100300121	PIVOT PLATE.....	1
4	089100300122	SPRING .....	1
5	089100300123	LOWER BLADE GUARD.....	1
6	270376005	LOWER GUARD PLATE.....	1
7	028939010	* SCREW (#10-32) .....	1
8	303993000	RUBBER WHEEL.....	1
9	022711000	PLATE NUT.....	1
10	089100300912	WARNING LABEL.....	1

**WARNING: Improper repair of a double insulated tool can result in damage to the double insulation system possibly causing electrical shock or electrocution. Any repairs requiring disassembly of your tool requires safety testing and should only be performed by a Ryobi Authorized Service Center. For the service center nearest you call 1-800-525-2579.**

\* STANDARD HARDWARE ITEM – MAY BE PURCHASED LOCALLY

RYOBI MITER SAW – MODEL NUMBER TS1552DXL

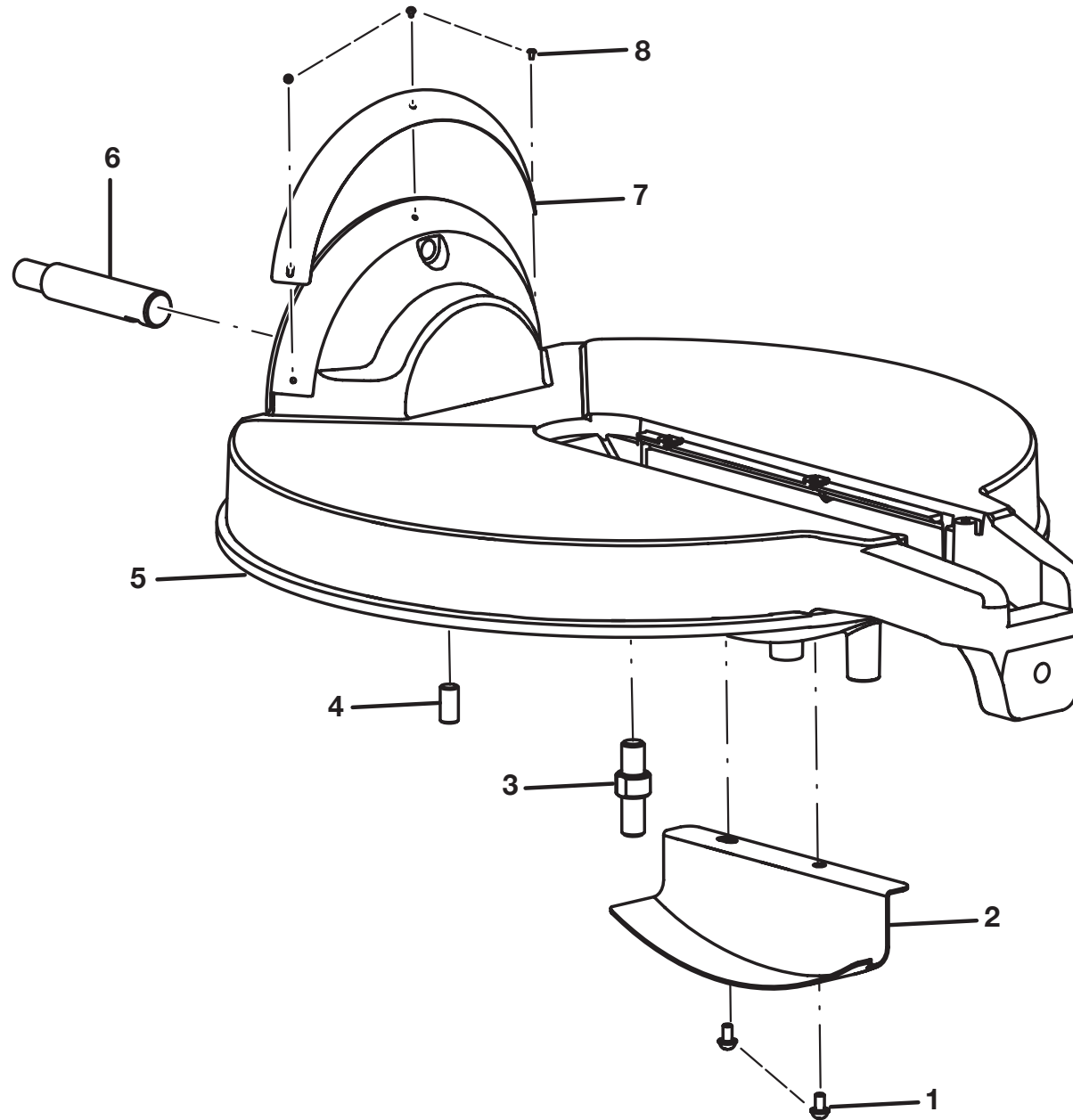


Figure D

## RYOBI MITER SAW – MODEL NUMBER TS1552DXL

The model number will be found on a plate attached to the motor housing. Always mention the model number in all correspondence regarding your **MITER SAW** or when ordering repair parts.

### PARTS LIST (FIGURE D)

KEY NO.	PART NUMBER	DESCRIPTION	QTY
	089100300709	TABLE ASSEMBLY (INC. KEY NOS. 1-8).....	1
1	020704002	SCREW (M5 X 0.8 X 10 mm + S WASHER) .....	2
2	270576000	TABLE GUARD .....	1
3	028961001	SHOULDER BOLT .....	1
4	020505009	SET SCREW .....	1
5	089100300116	MITER TABLE.....	1
6	028307007	BEVEL SHAFT .....	1
7	089100300911	BEVEL SCALE.....	1
8	024400000	COACH SCREW.....	3

**WARNING:** Improper repair of a double insulated tool can result in damage to the double insulation system possibly causing electrical shock or electrocution. Any repairs requiring disassembly of your tool requires safety testing and should only be performed by a Ryobi Authorized Service Center. For the service center nearest you call 1-800-525-2579.

\* STANDARD HARDWARE ITEM – MAY BE PURCHASED LOCALLY



RYOBI MITER SAW – MODEL NUMBER TS1552DXL

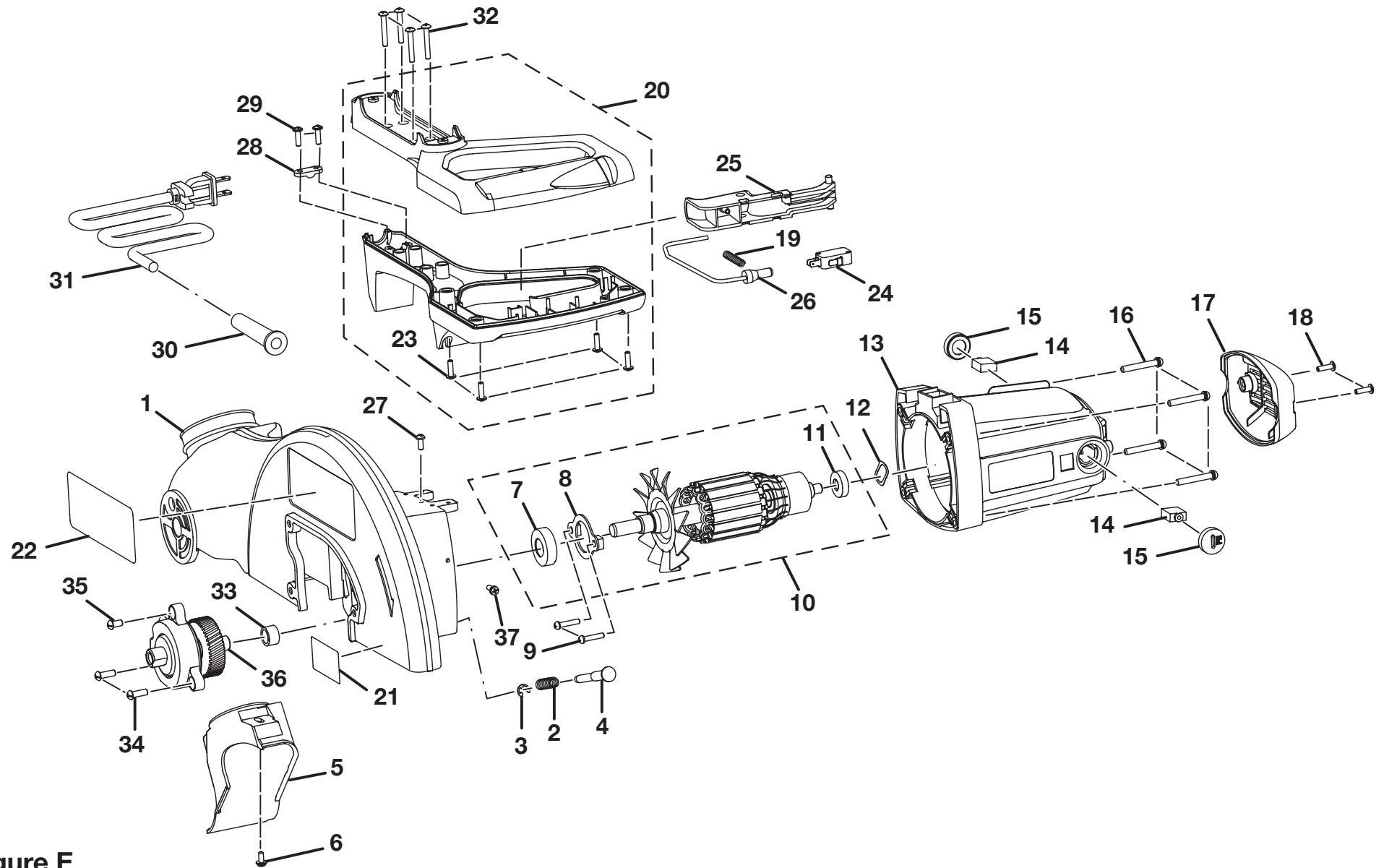


Figure E

## RYOBI MITER SAW – MODEL NUMBER TS1552DXL

The model number will be found on a plate attached to the motor housing. Always mention the model number in all correspondence regarding your **MITER SAW** or when ordering repair parts.

### PARTS LIST (FIGUR E)

KEY NO.	PART NUMBER	DESCRIPTION	QTY	KEY NO.	PART NUMBER	DESCRIPTION	QTY
	089100300702	MOTOR ASSEMBLY .....	1	18	089100300094	* SPECIAL SCREW (M4 X 2P X 16L) .....	2
1	089100300078	UPPER BLADE GUARD .....	1	19	029166001	* SPRING (6.2 X 0.8 X 37 mm) .....	1
2	029151001	* SPRING (7.7 X 1 X 30 mm) .....	1	20	089100300713	MAIN HANDLE ASSEMBLY .....	1
3	023206001	RETAINING RING (E-6) .....	1	21	089100300909	UPPER GUARD WARNING LABEL .....	1
4	290206001	ARBOR LOCK .....	1	22	089100300910	LOGO LABEL (UPPER GUARD) .....	1
5	089100300082	DUST CHUTE .....	1	23	020132003	* SCREW (M4 X 14 mm PAN HD.-SPECIAL) .....	4
6	089100100070	SCREW/WASHER (M5 X 0.8 X 8 mm + FLAT WASHER) .....	1	24	303288000	MICRO SWITCH (125 / 250 VAC) .....	1
7	050001100	BALL BEARING .....	1	25	089100300099	SWITCH ACTUATOR .....	1
8	270026000	BEARING PLATE .....	1	26	089100300100	WIRE NUT (P3) .....	1
9	089100300086	* SCREW (M4 X 0.7 X 23L) & S WASHER .....	2	27	020103033	* SCREW SEMS (M4 X 10) .....	1
10	089100300711	ARMATURE ASSEMBLY .....	1	28	303006000	CORD CLAMP .....	1
11	050007000	BALL BEARING .....	1	29	020132000	* SCREW (M4 X 0.7 X 14L) .....	2
12	021400001	WAVE WASHER .....	1	30	330021000	STRAIN RELIEF .....	1
13	089100300089	MOTOR HOUSING W/FIELD .....	1	31	089100300105	POWER CORD .....	1
14	089100300090	BRUSH .....	2	32	089100300106	* SCREW (M4 X 0.7P X 28L) .....	4
15	089100300091	BRUSH COVER (M22 X 1P) .....	2	33	052002000	NEEDLE BEARING .....	1
16	089100300092	* SCREW/WASHER (M5 X 35L) & S & FLAT WASHER .....	4	34	089100300109	* SCREW (M5 X 0.8 X 12L) & S WASHER .....	2
17	089100300093	END CAP .....	1	35	020704004	SCREW .....	1
				36	089100300712	OUTPUT SHAFT ASSEMBLY .....	1
				37	089100300111	* SCREW (M4 X 10) & FLAT WASHER (0.8t) .....	1

**WARNING: Improper repair of a double insulated tool can result in damage to the double insulation system possibly causing electrical shock or electrocution. Any repairs requiring disassembly of your tool requires safety testing and should only be performed by a Ryobi Authorized Service Center. For the service center nearest you call 1-800-525-2579.**

\* STANDARD HARDWARE ITEM – MAY BE PURCHASED LOCALLY

RYOBI MITER SAW – MODEL NUMBER TS1552DXL

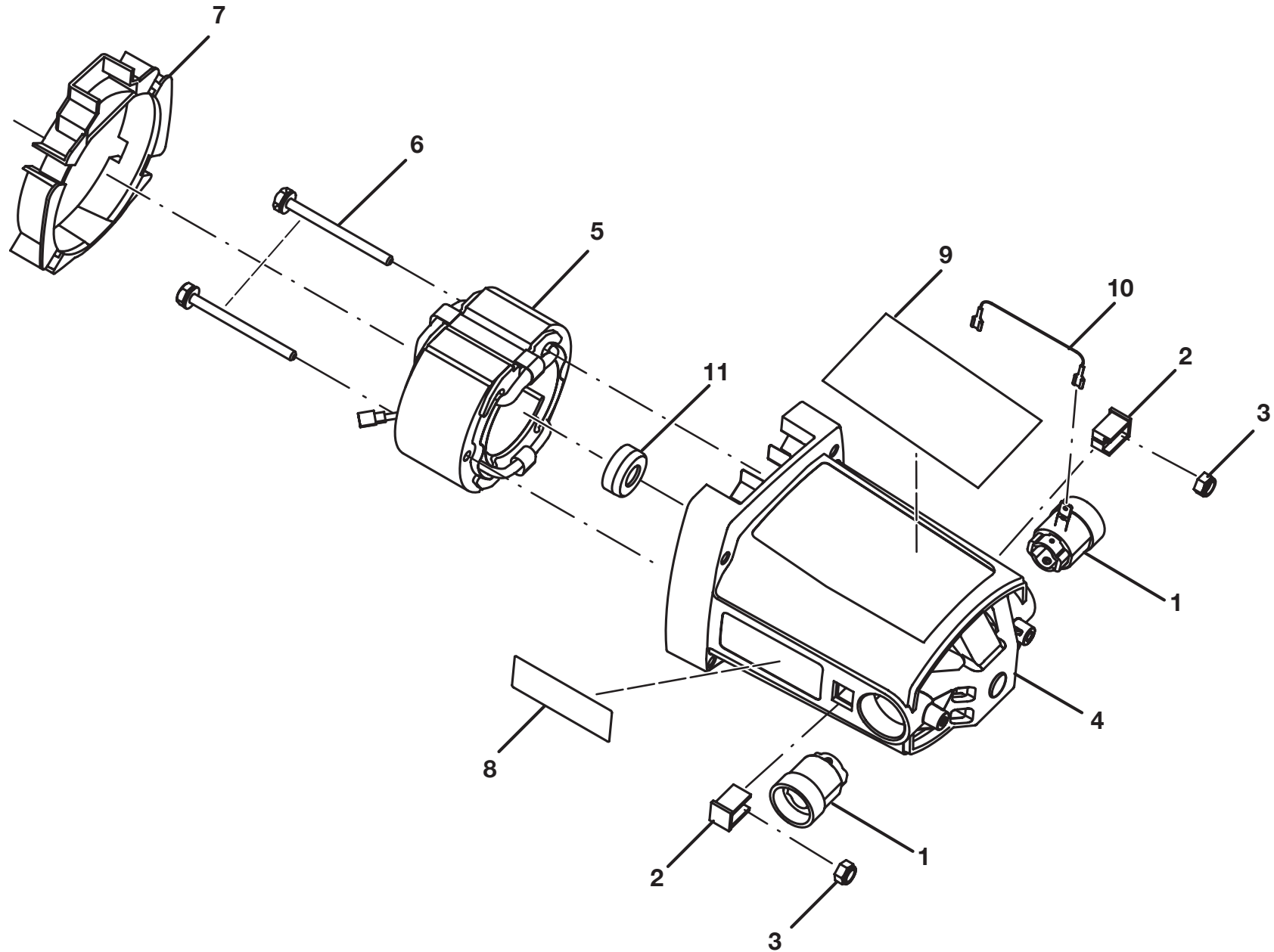


Figure F

**RYOBI MITER SAW – MODEL NUMBER TS1552DXL**

The model number will be found on a plate attached to the motor housing. Always mention the model number in all correspondence regarding your **MITER SAW** or when ordering repair parts.

**PARTS LIST (FIGURE F)**

KEY NO.	PART NUMBER	DESCRIPTION	QTY
	089100300710	MOTOR HOUSING WITH FIELD ASSEMBLY (INC. KEY NOS. 1-11) .....	1
1	303302000	BRUSH HOLDER .....	2
2	303002001	NUT HOLDER.....	2
3	022301001	* NYLON NUT (M5 X 0.8P) .....	2
4	089100300072	MOTOR HOUSING .....	1
5	089100300073	FIELD W/LEADS.....	1
6	028600001	* SCREW (PAD HD.) WITH WASHER (M5 X 0.8 X 65L) .....	2
7	089100300075	BAFFLE .....	1
8	089100300907	LOGO .....	1
9	089100300908	WARNING LABEL .....	1
10	089100300076	ARMATURE OUTPUT LEAD.....	1
11	330052000	BEARING COVER .....	1

**WARNING: Improper repair of a double insulated tool can result in damage to the double insulation system possibly causing electrical shock or electrocution. Any repairs requiring disassembly of your tool requires safety testing and should only be performed by a Ryobi Authorized Service Center. For the service center nearest you call 1-800-525-2579.**

\* STANDARD HARDWARE ITEM – MAY BE PURCHASED LOCALLY