

RYOBI MITER SAW – MODEL NUMBER TS1353DXL

The model number will be found on a plate attached to the motor housing. Always mention the model number in all correspondence regarding your **MITER SAW** or when ordering repair parts.

PARTS LIST (FIGURE A)

KEY NO.	PART NUMBER	DESCRIPTION	QTY	KEY NO.	PART NUMBER	DESCRIPTION	QTY
1	089100100701	TABLE AND BASE ASSEMBLY (SEE FIGURE B)	1	34	089100101702	LWR. BLADE GUARD ASSEMBLY (SEE FIGURE C)	1
2	900786001	MITER KNOB.....	1	35	089100100133	* SCREW (10-32 X 5/16 in. PAN HD.).....	1
3	270571000	SPACER.....	1	36	089100100045	SHOULDER BOLT 10-32 UNF	1
4	089100100001	PIVOT	1	37	021119002	FLAT WASHER (M5.5 X 16 X 0.8T).....	1
5	089100100002	BEVEL SCALE INDICATOR	1	38	089100100014	LINK ACTUATOR.....	1
6	020716007	* SCREW (M5 X 0.8 X 10 mm PAN HD.).....	1	39	089100101901	DATA LABEL.....	1
7	021117003	* WASHER (M12.2 X 22 X 2T).....	1	40	028931002	* SCREW-SHOULDER (M5 X 0.8 mm)	1
8	089100100003	* WAVY WASHER	1	41	089100100046	HEX SOCKET BOLT (5/16-18 X 1 in.).....	2
9	022300001	* NYLON LOCK NUT (M12 X 1.75P).....	1	42	021120007	WASHER (M8 X 14 X 1.2T).....	2
10	028969001	VERTICAL STOP PIN	1	43	089100101003	MITER FENCE ASSEMBLY	1
11	021109019	FLAT WASHER (M10 X 30 X 3.3T).....	1	44	900239004	WORK CLAMP ASSEMBLY	1
12	089100100004	BEVEL KNOB (M10 X 57 mm).....	1	45	040027000	WRENCH (1/4 in. X 100 mm).....	1
13	089100100005	* SCREW (M6 X 8 mm)	1	46	089100100801	DUST BAG (O.D. 2 1/2 in.)	1
14	021403007	* WAVY WASHER (M7.5 X 12.7 X 0.4T).....	1	47	089100100901	WARNING (HANG TAG).....	1
15	021103010	* WASHER (M7.5 X 16 X 0.8T).....	2	48	089100100050	HANDLE WARNING LABEL	1
16	089100100006	* WASHER (M7.5 X 16 X 1.5T).....	1	49	089100100061	SCREW (M4 X 10 mm PAN HD.) & WASHER (M4.3 X 7.5 X 0.8T).....	1
17	089100100044	LATCH PIN	1	50	089100101001	KNOB (M6 X 1 X 40 mm).....	1
18	089100100007	LATCH PIN KNOB	1	51	089100101002	SPECIAL BOLT.....	1
19	089100100008	SLEEVE	1	52	900263000	EXTENSION ARM.....	2
20	089100100009	TORSION SPRING (M6 X 53 mm).....	1	53	089100101004	SLIDE FENCE.....	1
21	089100100010	ARM PIVOT SHAFT.....	1	54	900757000	STOP BLOCK ASSEMBLY INCLUDES WING SCREW	1
22	020314003	HEX BOLT (M8 X 1.25 X 25 mm).....	2	55	900266000	EXTENSION ARM CLAMP BRACKET ASSEMBLY (INCLUDES SCREWS).....	2
23	022116001	HEX NUT (M8 X 1.25).....	2	56	089100101801	DUST GUIDE.....	1
24	020804000	* SCREW (M4 X 0.7 X 10 mm).....	5	57	0015901	LASER ASSEMBLY COMPLETE (INC. KEY NO. 59)	1
25	089100100048	TABLE INSERT	1	58	020300013	LASER BLADE BOLT (M8).....	1
26	089100100011	* SCREW (M6 X 1P X 10 mm - SET).....	1	59	040001002	HEX L WRENCH (M5 X 75 mm)	1
27	089100100012	* NUT (M6 X 1P X 4.8T)	1	60	089100101705	SLIDE FENCE ASSEMBLY (INC. KEY NOS. 43, 51, 52, 54).....	1
28	089100101701	MOTOR ASSEMBLY (120V - 15A) (SEE FIGURE E).....	1		983000553	OPERATOR'S MANUAL	
29	089100100013	* HEX SOC. BOLT (M6 X 1.0 X 24 mm)	1		03-16-07		
30	270511000	INNER BLADE FLANGE	1		(REV:05)		
31	089100101802	BLADE (10 in. X 5/8 in. X 36T).....	1				
32	270373000	BLADE COLLAR (Ø48)	1				
33	020300011	* ARBOR SCREW (M8 X 14 mm).....	1				

WARNING: Improper repair of a double insulated tool can result in damage to the double insulation system possibly causing electrical shock or electrocution. Any repairs requiring disassembly of your tool requires safety testing and should only be performed by a Ryobi Authorized Service Center. For the service center nearest you call 1-800-525-2579.

* STANDARD HARDWARE ITEM – MAY BE PURCHASED LOCALLY

RYOBI MITER SAW - MODEL NUMBER TS1353DXL

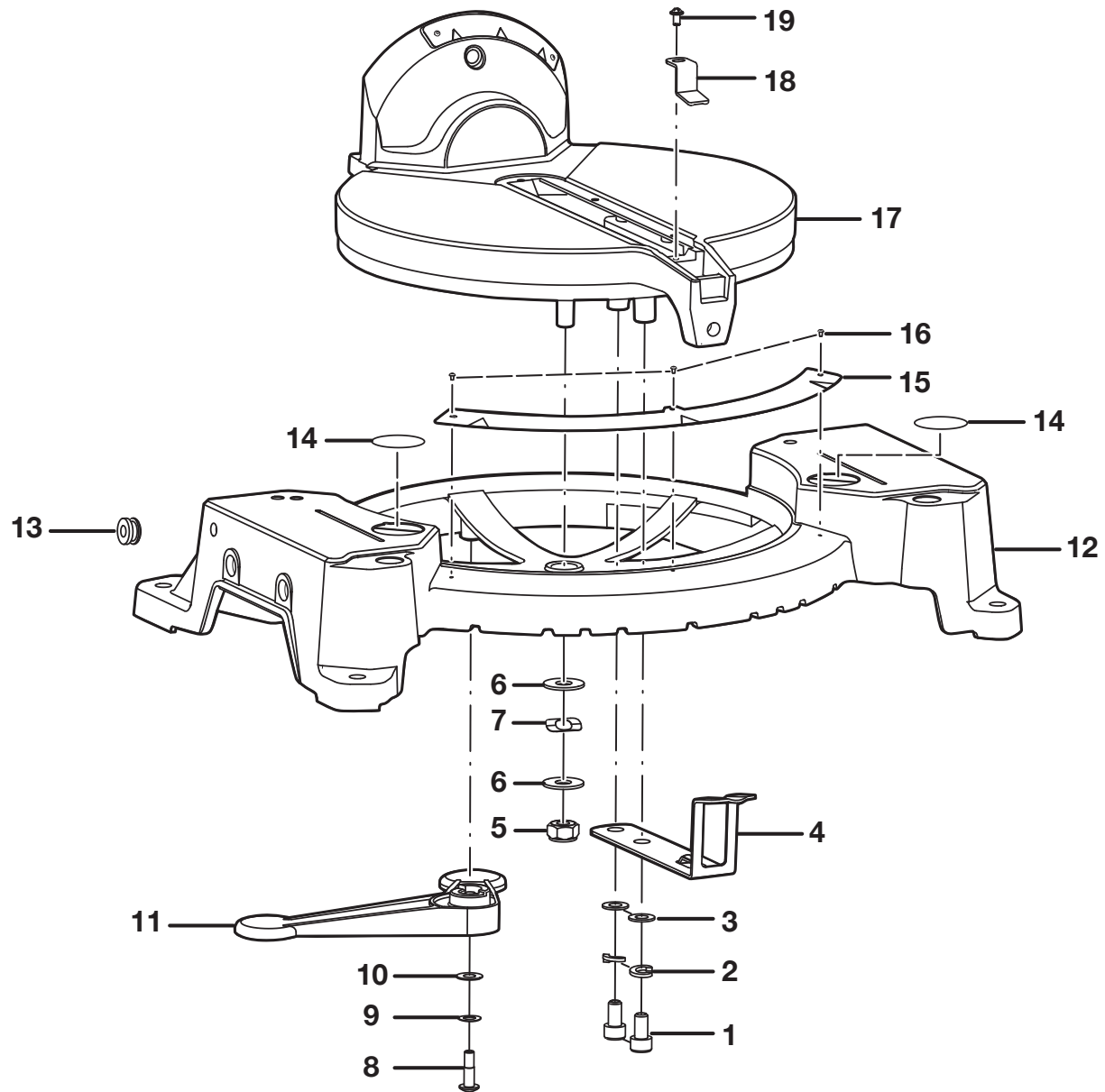


Figure B

RYOBI MITER SAW – MODEL NUMBER TS1353DXL

The model number will be found on a plate attached to the motor housing. Always mention the model number in all correspondence regarding your **MITER SAW** or when ordering repair parts.

PARTS LIST (FIGURE B)

KEY NO.	PART NUMBER	DESCRIPTION	QTY
1	020606013	* HEX SOCKET BOLT (5/16 -18 X 14.8 mm).....	2
2	021204001	LOCK WASHER (5/16 in.)	2
3	021120001	* FLAT WASHER (M8 X 14 X 2T)	2
4	270572000	SPRING INDEX	1
5	022308001	NYLON NUT (M10 X 1.5P).....	1
6	021109011	FLAT WASHER (M10 X 21 X 1.2T)	2
7	021403001	WAVY WASHER (M10 X 22 X 0.5T)	1
8	089100100015	* SCREW (M6 X 1P X 22 mm - PAN HD.).....	1
9	089100100016	* WAVY WASHER (M7.5 X 14 X 0.4T)	1
10	089100100017	* WASHER (M7.5 X 14 X 0.4T)	1
11	089100100018	FLIP FOOT	1
12	089100100105	BASE.....	1
13	330030000	RUBBER GROMMET	1
14	089100100909	WARNING LABEL (NO HANDS)	2
15	870028001	MITER SCALE.....	1
16	024400000	* COACH SCREW (RIVETS)	3
17	900846000	TABLE ASSEMBLY	1
18	303508000	MITER INDICATOR	1
19	020726003	* SCREW W/WASHER (M4 X 0.7 X 8 mm).....	1

WARNING: Improper repair of a double insulated tool can result in damage to the double insulation system possibly causing electrical shock or electrocution. Any repairs requiring disassembly of your tool requires safety testing and should only be performed by a Ryobi Authorized Service Center. For the service center nearest you call 1-800-525-2579.

* STANDARD HARDWARE ITEM – MAY BE PURCHASED LOCALLY

RYOBI MITER SAW – MODEL NUMBER TS1353DXL

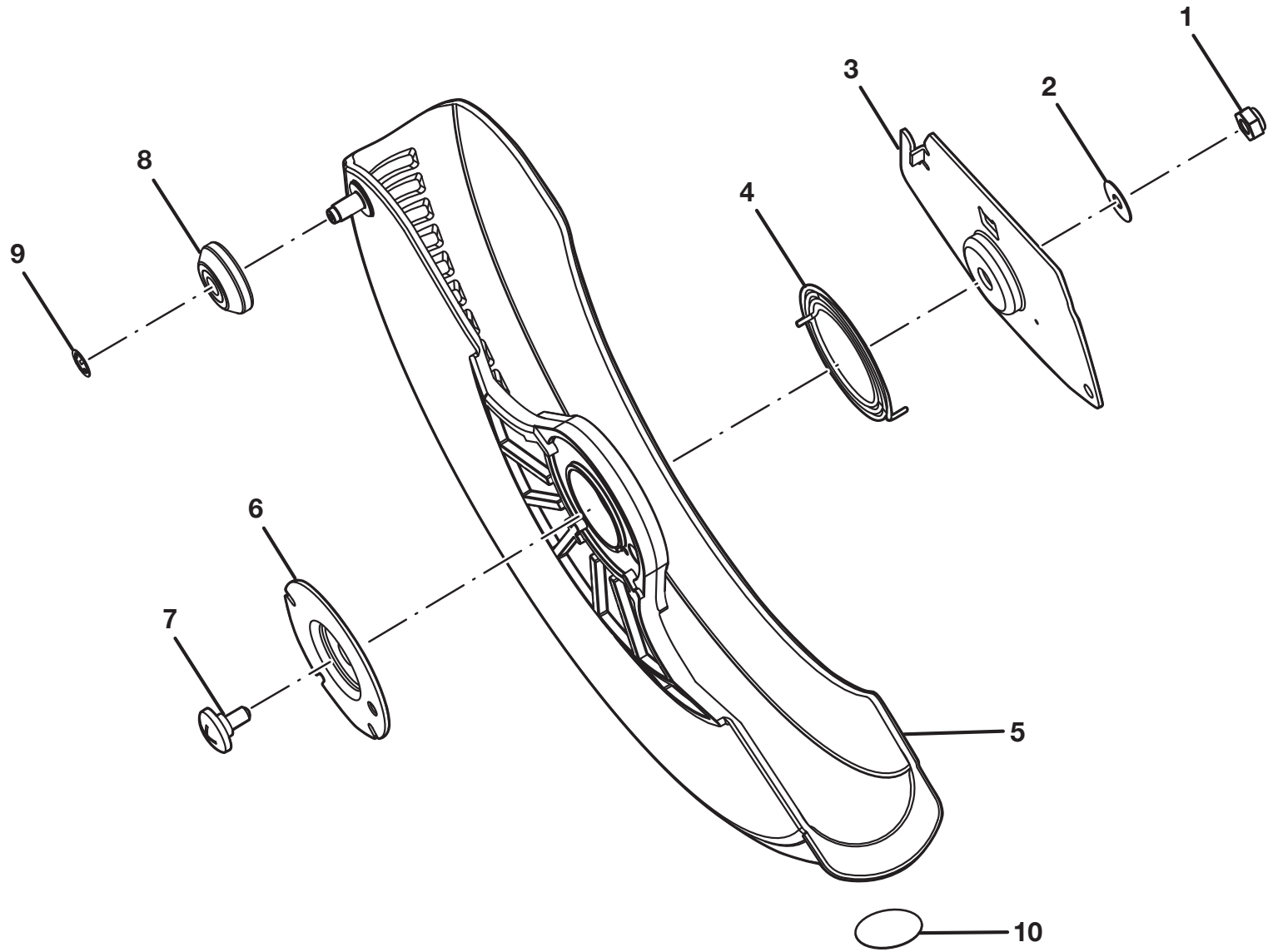


Figure C

RYOBI MITER SAW – MODEL NUMBER TS1353DXL

The model number will be found on a plate attached to the motor housing. Always mention the model number in all correspondence regarding your **MITER SAW** or when ordering repair parts.

PARTS LIST (FIGURE C)

KEY NO.	PART NUMBER	DESCRIPTION	QTY
1	022307001	* NUT (10-32).....	1
2	021108006	* WASHER (13/64 X 15/32 X 0.5T)	1
3	089100100038	PIVOT PLATE	1
4	089100100039	RETURN SPRING.....	1
5	089100101007	LOWER BLADE GUARD	1
6	270376005	LOWER GUARD PLATE	1
7	028939004	SCREW (10-32 SPECIAL)	1
8	303993000	RUBBER WHEEL	1
9	022711000	PLATE NUT	1
10	867107013	GUARD WARNING LABEL (NO HANDS)	1

WARNING: Improper repair of a double insulated tool can result in damage to the double insulation system possibly causing electrical shock or electrocution. Any repairs requiring disassembly of your tool requires safety testing and should only be performed by a Ryobi Authorized Service Center. For the service center nearest you call 1-800-525-2579.

* STANDARD HARDWARE ITEM – MAY BE PURCHASED LOCALLY

RYOBI MITER SAW – MODEL NUMBER TS1353DXL

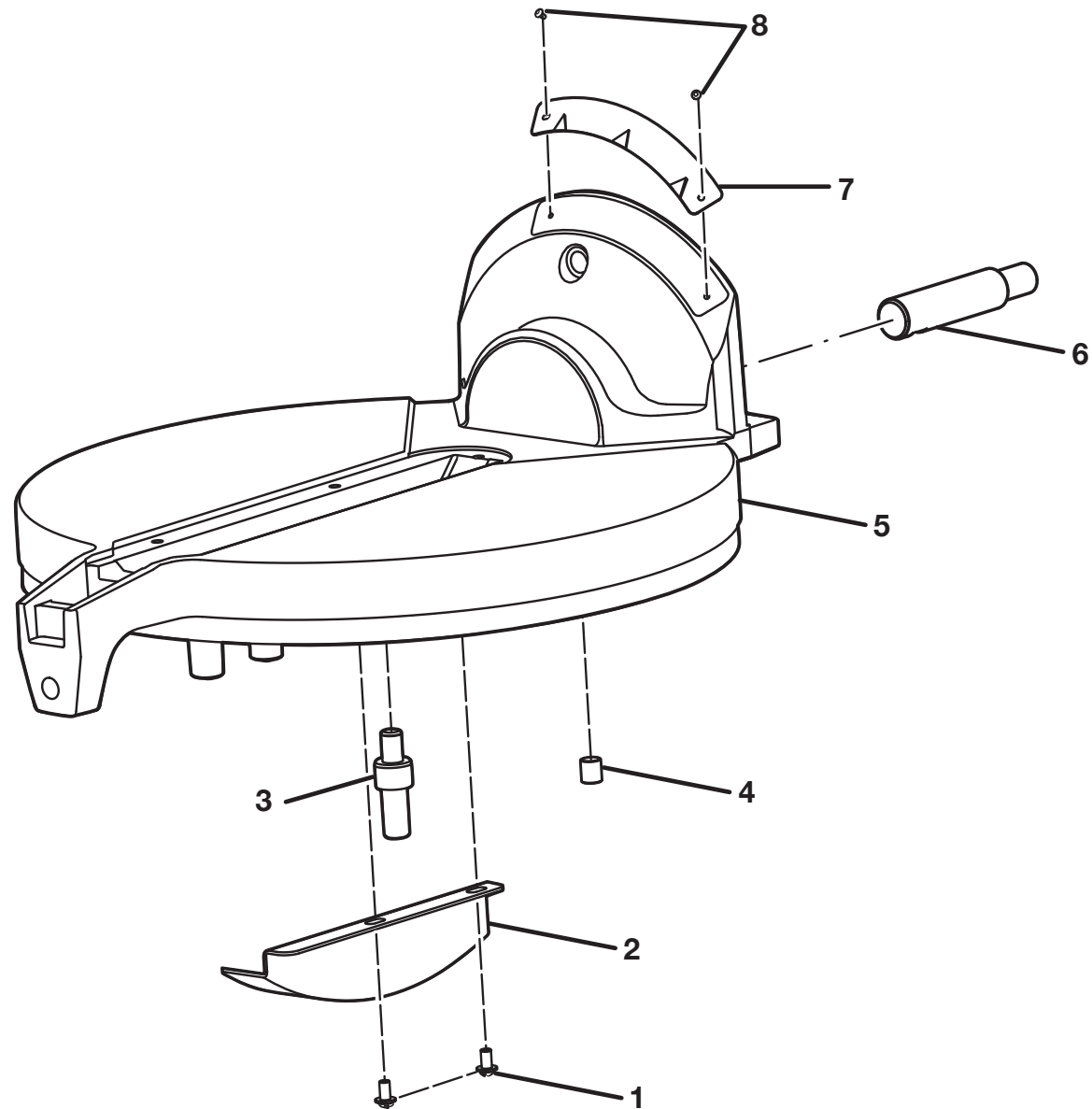


Figure D

RYOBI MITER SAW – MODEL NUMBER TS1353DXL

The model number will be found on a plate attached to the motor housing. Always mention the model number in all correspondence regarding your **MITER SAW** or when ordering repair parts.

PARTS LIST (FIGURE D)

KEY NO.	PART NUMBER	DESCRIPTION	QTY
1	020726003	* SCREW W/WASHER (M4 X 0.7 X 8 mm)	2
2	270499000	SAFETY GUARD	1
3	028961000	PIVOT TABLE	1
4	020505007	* LOCK SCREW (M8 X 1.25 X 9 mm)	1
5	225232000	TABLE.....	1
6	290340000	PIVOT SHAFT.....	1
7	870029001	BEVEL SCALE.....	1
8	024400000	* COACH SCREW (RIVET).....	2
	900846000	TABLE ASSEMBLY (INC. KEY NOS. 1-8).....	1

WARNING: Improper repair of a double insulated tool can result in damage to the double insulation system possibly causing electrical shock or electrocution. Any repairs requiring disassembly of your tool requires safety testing and should only be performed by a Ryobi Authorized Service Center. For the service center nearest you call 1-800-525-2579.

* STANDARD HARDWARE ITEM – MAY BE PURCHASED LOCALLY

RYOBI MITER SAW - MODEL NUMBER TS1353DXL

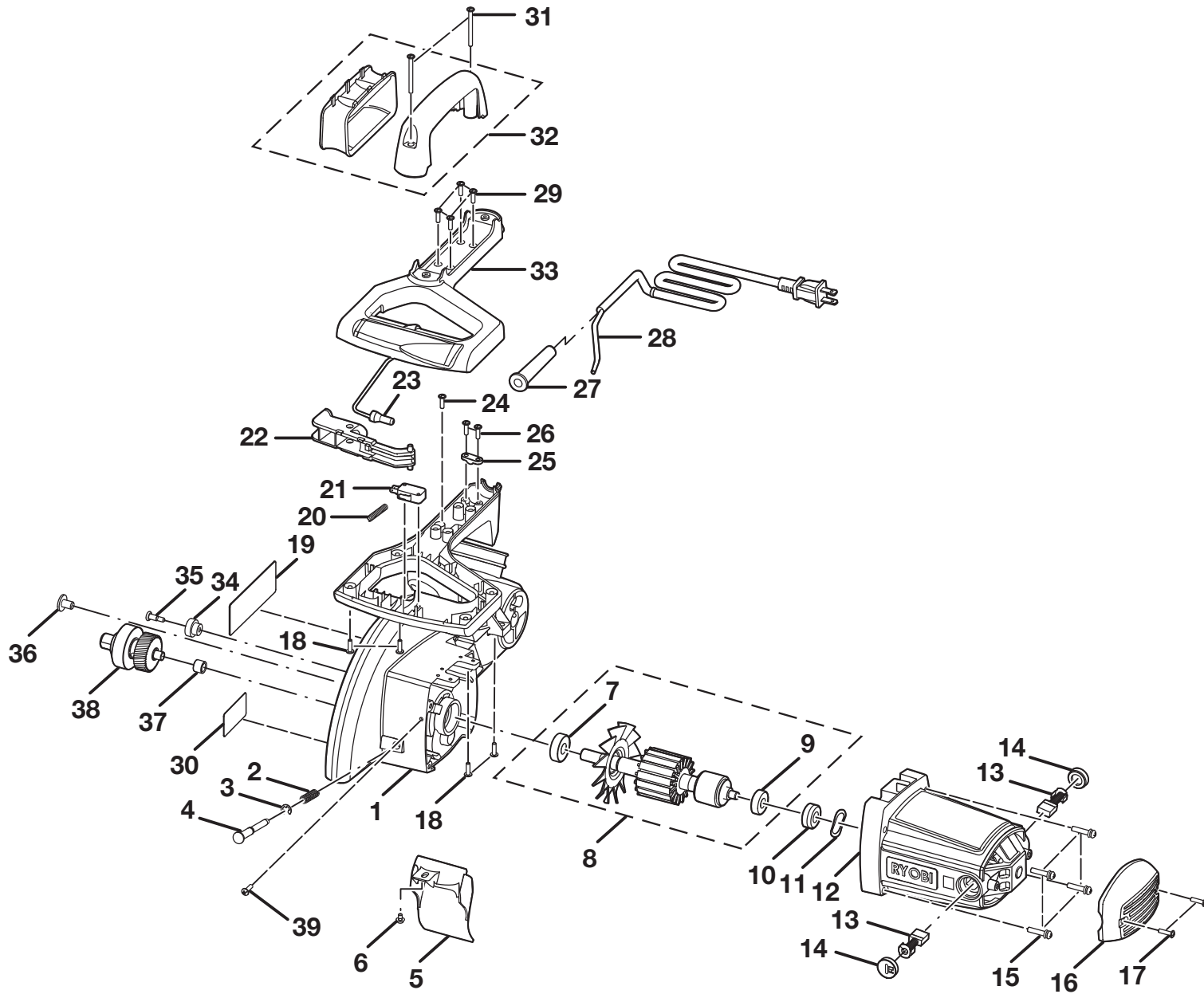


Figure E

RYOBI MITER SAW – MODEL NUMBER TS1353DXL

The model number will be found on a plate attached to the motor housing. Always mention the model number in all correspondence regarding your **MITER SAW** or when ordering repair parts.

PARTS LIST (FIGUR E)

KEY NO.	PART NUMBER	DESCRIPTION	QTY	KEY NO.	PART NUMBER	DESCRIPTION	QTY
1	089100100019	UPPER BLADE GUARD	1	20	029166001	SPRING (6.2 X 0.8 X 37L).....	1
2	029151001	SPRING (7.7 X 1 X 30L).....	1	21	303288000	* MICRO SWITCH (125 - 250 VAC).....	1
3	023206001	E-RING (E-6).....	1	22	089100100027	SWITCH ACTUATOR.....	1
4	290113001	PIN.....	1	23	089100100051	WIRE NUT	1
5	089100100020	DUST CHUTE.....	1	24	089100100028	* SCREW (M4 X 10 mm - PAN HD.).....	1
6	089100100021	* SCREW & WASHER (M5 X 0.8 X 10 mm).....	1	25	303006000	CORD CLAMP.....	1
7	050010100	BEARING (6201 LLU)	1	26	089100100029	* SCREW (M4 X 14 mm - PAN HD.).....	2
8	089100100710	ARMATURE ASSEMBLY W/ BEARINGS (INCLUDE KEY NOS. 7 AND 9)	1	27	330021000	BEND RELIEF	1
9	050007000	BALL BEARING (608ZZ).....	1	28	089100100052	POWER CORD (AWG 14/2 C)	1
10	330052000	BEARING RETAINER.....	1	29	089100100030	* SCREW & WASHER (M4 X 0.7 X 28 mm).....	4
11	021400001	* WAVY WASHER (20 X 14.5 X 0.3T)	1	30	867217004	WARNING LABEL - UPPER GUARD.....	1
12	089100100704	MOTOR HSG. W/ FIELD (SEE FIGURE F).....	1	31	020132005	* SCREW (M4 X 45 mm - PAN HD.).....	2
13	089100100022	BRUSH (7 X 15 X 17).....	2	32	089100100708	HANDLE ASSEMBLY (CARRY).....	1
14	089100100023	BRUSH COVER.....	2	33	089100101704	HANDLE ASSEMBLY (MAIN).....	1
15	089100100047	* SCREW W/WASHER (M5 X 35 mm).....	4	34	330027000	RUBBER SLEEVE.....	1
16	089100100024	END CAP	1	35	028921003	* SCREW (10 X 32NF X 20 mm).....	1
17	089100100025	* SCREW (M4 X 16 mm - SPECIAL)	2	36	028930003	SCREW (M8 X 1.25P - SPECIAL).....	1
18	020132003	* SCREW (M4 X 14 mm)	4	37	052001000	NEEDLE BEARING (HK0910)	1
19	089100100905	LOGO PLATE (UPPER GUARD)	1	38	089100100705	OUTPUT SHAFT ASSEMBLY.	1
				39	089100100032	* SCREW (M4 X 0.7P X 10 mm + FLAT WASHER 0.8t)	1

WARNING: Improper repair of a double insulated tool can result in damage to the double insulation system possibly causing electrical shock or electrocution. Any repairs requiring disassembly of your tool requires safety testing and should only be performed by a Ryobi Authorized Service Center. For the service center nearest you call 1-800-525-2579.

* STANDARD HARDWARE ITEM – MAY BE PURCHASED LOCALLY

RYOBI MITER SAW – MODEL NUMBER TS1353DXL

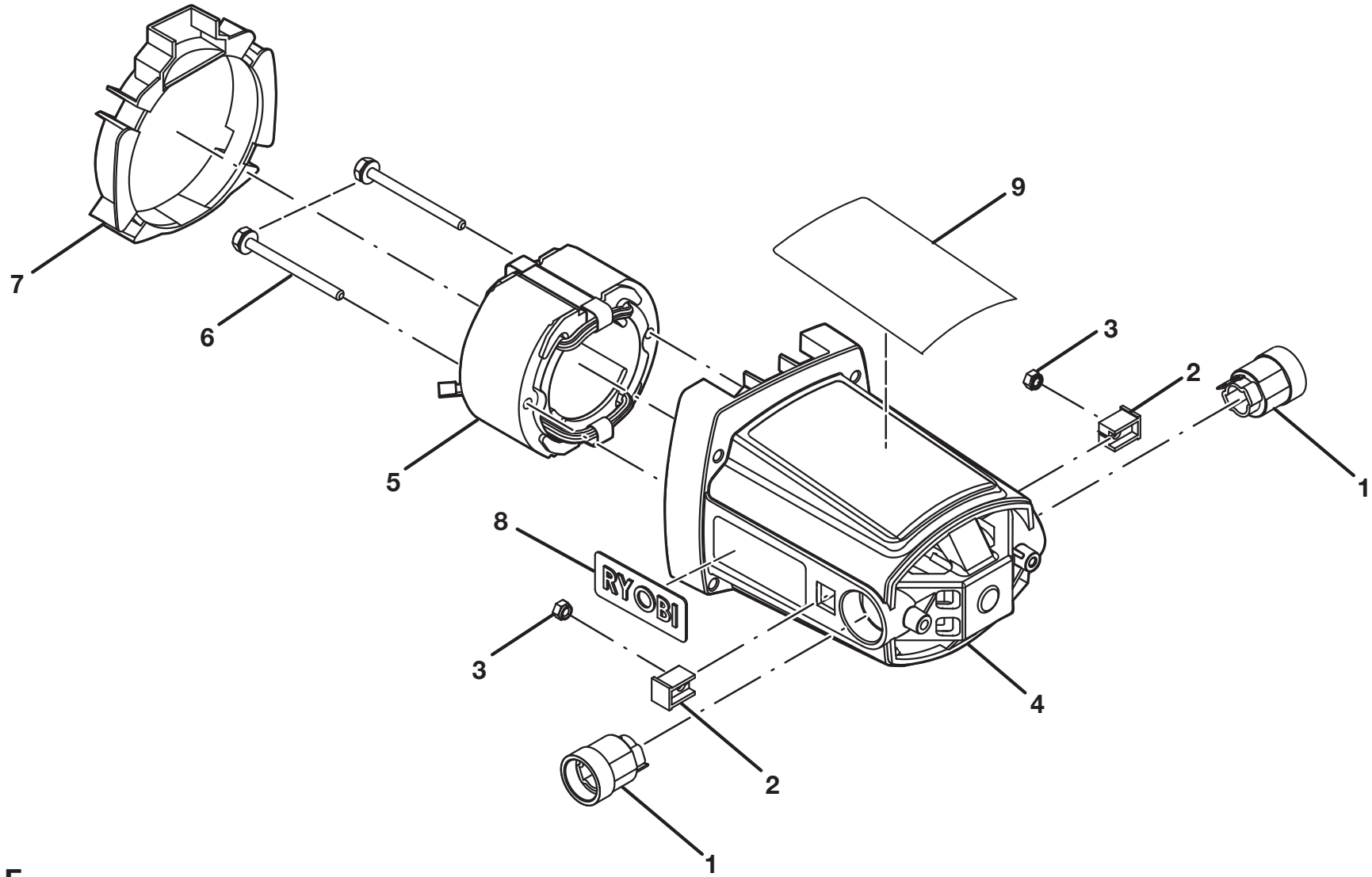


Figure F

RYOBI MITER SAW – MODEL NUMBER TS1353DXL

The model number will be found on a plate attached to the motor housing. Always mention the model number in all correspondence regarding your **MITER SAW** or when ordering repair parts.

PARTS LIST (FIGURE F)

KEY NO.	PART NUMBER	DESCRIPTION	QTY
1	089100100033	BRUSH HOLDER (7 X 15 mm).....	2
2	089100100034	NUT HOLDER (M5)	2
3	089100100035	NYLON NUT (M5)	2
4	089100100036	MOTOR HOUSING	1
5	17006000	FIELD W/LEADS (120V, 40T).....	1
6	028600001	* SCREW W/WASHER (M5 X 0.8 X 60 mm).....	2
7	089100100037	BAFFLE.....	1
8	089100100906	LOGO (60 X 24 mm).....	1
9	089100101902	WARNING LABEL	1

WARNING: Improper repair of a double insulated tool can result in damage to the double insulation system possibly causing electrical shock or electrocution. Any repairs requiring disassembly of your tool requires safety testing and should only be performed by a Ryobi Authorized Service Center. For the service center nearest you call 1-800-525-2579.

* STANDARD HARDWARE ITEM – MAY BE PURCHASED LOCALLY