

RYOBI 10 in. COMPOUND MITER SAW – MODEL NUMBER TS1344L

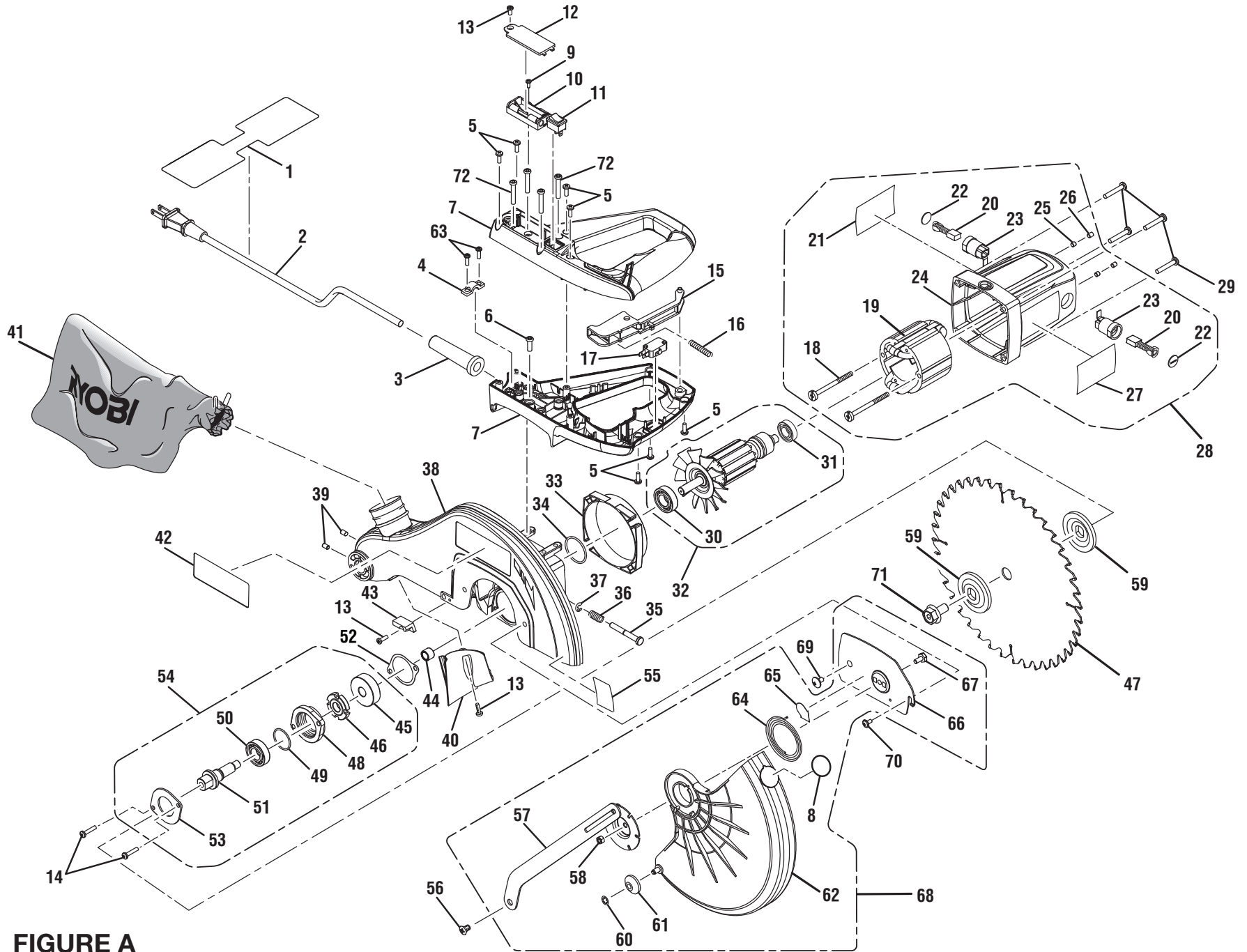


FIGURE A

RYOBI 10 in. COMPOUND MITER SAW – MODEL NUMBER TS1344L

The model number will be found on a label attached to the motor housing. Always mention the model number in all correspondence regarding your **MITER SAW** or when ordering repair parts.

FIGURE A PARTS LIST

KEY NO.	PART NUMBER	DESCRIPTION	QTY.	KEY NO.	PART NUMBER	DESCRIPTION	QTY.
1	080006014904	Warning Label	1	38	089006017709	Arm Assembly	
2	089006017048	Power Cord	1			(Inc. Key Nos. 42, 44 and 55).....	1
3	089006017049	Bend Relief.....	1	39	089006017047	Set Screw (M5 x 8 mm).....	2
4	089006017062	Cord Clamp.....	1	40	089006017046	Laser Cover.....	1
5	089006017051	Screw (M4 x 16 mm, Rd. Hd.).....	7	41	089006017063	Dust Bag Assembly.....	1
6	089006017052	Screw (M5 x 15 mm, Pan Hd.).....	1	42	080006014906	Logo Label	1
7	089006017711	D-Handle Assembly	1	43	089006017045	Stop Block	1
8	089100207097	No Hands Label	1	44	089006017105	Needle Bearing	1
9	089006017059	Screw (M3 x 8 mm, Rd. Hd.).....	1	45	089006017095	Gear	1
10	089006017060	Battery Compartment	1	46	089006017096	Lock Ring.....	1
11	089006017056	Laser Switch	1	47	089006017044	Blade (24T).....	1
12	089006017058	Battery Box Cover.....	1	48	089006017097	Bearing Cover	1
13	089006017015	Screw (M4 x 10 mm, Pan Hd.)	3	49	089006017098	O-Ring.....	1
14	089006017107	Screw (M5 x 20 mm, Pan Hd.)	2	50	089006017099	Ball Bearing (6002LLU 2RS CM).....	1
15	089006017054	Switch Actuator.....	1	51	089006017100	Gear Shaft.....	1
16	089006017069	Compression Spring	1	52	089006017108	Gasket.....	1
17	089006017053	Switch	1	53	089006017101	Bearing Holder Plate.....	1
18	089006017087	Screw w/Washer (M5 x 65 mm, Pan Hd.)	2	54	089006017704	Arbor Assembly.....	1
19	089006017702	Field Assembly.....	1	55	080006014908	Warning Label	1
20	089006017092	Brush.....	2	56	089006017042	Screw (M6, Special)	1
21	089006017902	Data Label.....	1	57	089006017713	Linkage Assembly.....	1
22	089006017093	Brush Cap	2	58	089006017081	Hex Nut (M6).....	1
23	089006017091	Brush Holder	2	59	089006017043	Flange	2
24	089006017088	Motor Housing	1	60	089006017077	Retaining Ring.....	1
25	089006017106	Set Screw (M5 x 5 mm).....	2	61	089006017076	Guide Roller	1
26	089006017090	Set Screw (M5 x 8 mm).....	2	62	089006017712	Lower Blade Guard Assembly (Inc. Key No. 8)..	1
27	080006014902	Warning Label	1	63	089006017061	Screw (M4 x 12 mm, Rd. Hd.).....	2
28	089006017708	Motor Assembly (Inc. Key Nos. 18-27)	1	64	089006017074	Return Spring.....	1
29	089006017089	Screw w/Washer (M5 x 40 mm, Pan Hd.)	4	65	089100207051	Blade Removal Label	1
30	089006017085	Ball Bearing (6200LLU 2RS C3).....	1	66	089006017073	Rotating Cover	1
31	089006017086	Ball Bearing (608LLU)	1	67	089006017072	Screw (M6 x 10 mm, Hex Hd.).....	1
32	089006017710	Armature Assembly (Inc. Key Nos. 30-31)	1	68	089006017703	Blade Guard Assembly	
33	089006017084	Baffle.....	1			(Inc. Key Nos. 8, 57-58, 60-62 and 64-67).....	1
34	089006017094	O-Ring.....	1	69	089006017040	Screw (M5, Special)	1
35	089006017102	Pin	1	70	089006017041	Screw (M4 x 10 mm, Cheese Hd.)	1
36	089006017103	Spring.....	1	71	089006017064	Arbor Screw (M8 x 20 mm)	1
37	089006017104	E-Ring	1	72	089006017057	Screw (M5 x 20 mm, Pan Hd.)	4

RYOBI 10 in. COMPOUND MITER SAW – MODEL NUMBER TS1344L

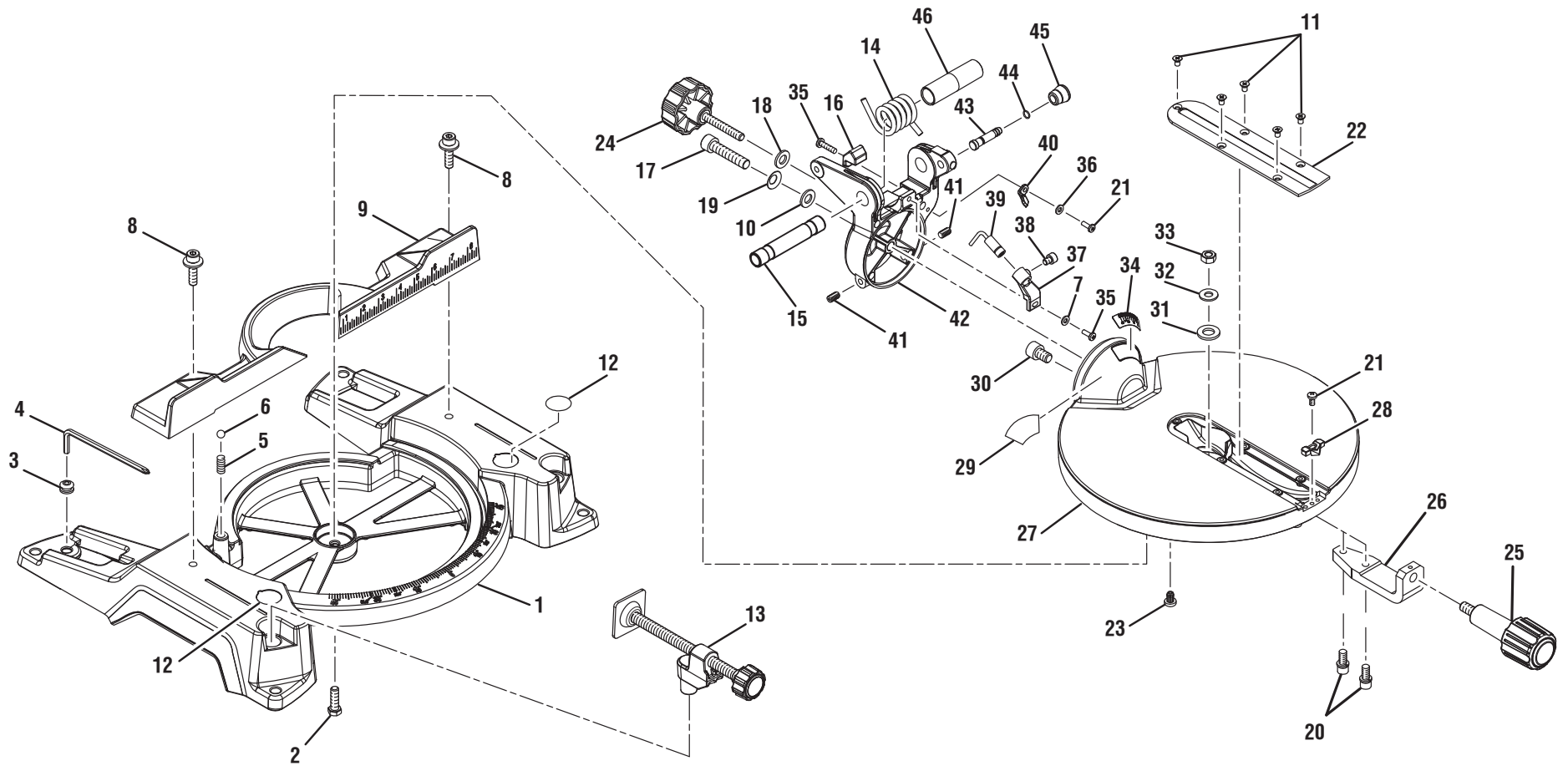


FIGURE B

RYOBI 10 in. COMPOUND MITER SAW – MODEL NUMBER TS1344L

The model number will be found on a label attached to the motor housing. Always mention the model number in all correspondence regarding your **MITER SAW** or when ordering repair parts.

FIGURE B PARTS LIST

KEY NO.	PART NUMBER	DESCRIPTION	QTY.	KEY NO.	PART NUMBER	DESCRIPTION	QTY.
1	089006017707	Base Assembly (Inc. Key Nos. 3 and 12).....	1	25	089006017714	Miter Lock Handle.....	1
2	089006017007	Screw (M8 x 20 mm, Hex. Hd.).....	1	26	089006017005	Lever	1
3	089006017008	Grommet	1	27	089006017013	Table.....	1
4	089006017009	Hex Key (5 mm).....	1	28	089006017014	Miter Indicator	1
5	089006017010	Positioning Spring.....	1	29	080006014903	Scale Warning Label	1
6	089006017011	Steel Ball (8 mm).....	1	30	089006017039	Screw (M10 x 10 mm, Hex Soc. Hd.).....	1
7	089006017065	Washer (D5.2 x D14 x 1.5t)	1	31	089006017071	Washer (D8.25 x D21.9 x 1.5t)	1
8	089006017018	Screw w/Washer (M8 x 30 mm, Hex Soc. Hd.).....	2	32	089006017020	Washer (D8 x D16 x 1.5t)	1
9	089006017019	Fence	1	33	089006017021	Lock Nut (M8).....	1
10	089006017035	Washer (D10 x D26 x 2t)	1	34	080006014905	Scale Label	1
11	089006017017	Screw (M4 x 8 mm)	5	35	089006017022	Screw (M5 x 10 mm, Pan Hd.)	2
12	089100207097	No Hand Label	2	36	089006017066	Washer (D4 x D8 x 1t)	1
13	089006017706	Clamp Base Assembly.....	1	37	089006017024	Laser Bracket.....	1
14	089006017029	Spring.....	1	38	089006017067	Screw (M4 x 6 mm, Special)	1
15	089006017036	Pivot Shaft.....	1	39	089006017025	Laser Module	1
16	089006017031	Stop Block	1	40	089006017023	Indicator	1
17	089006017034	Screw (M10 x 45 mm, Hex Soc. Hd.).....	1	41	089006017038	Set Screw (M8 x 15 mm, Pan Hd.).....	2
18	089006017032	Washer (D8 x D16 x 2t)	1	42	089006017037	Pivot Support	1
19	089006017068	Arc Washer (D10)	1	43	089006017026	Lock Pin	1
20	089006017006	Screw w/Washer (M6 x 20 mm, Hex. Soc. Hd.).....	2	44	089006017027	O-Ring.....	1
21	089006017015	Screw (M4 x 10 mm, Pan Hd.).....	2	45	089006017028	Lock Pin Cap.....	1
22	089006017016	Throat Plate	1	46	089006017030	Sleeve	1
23	089006017012	Wear Ring.....	8	Not Shown:			
24	089006017033	Bevel Lock Knob.....	1	988000846	Operator's Manual (089006017806).....		1

6-18-12
(Rev:01)