

RYOBI 10 in. COMPOUND MITER SAW – MODEL NUMBER TS1343L

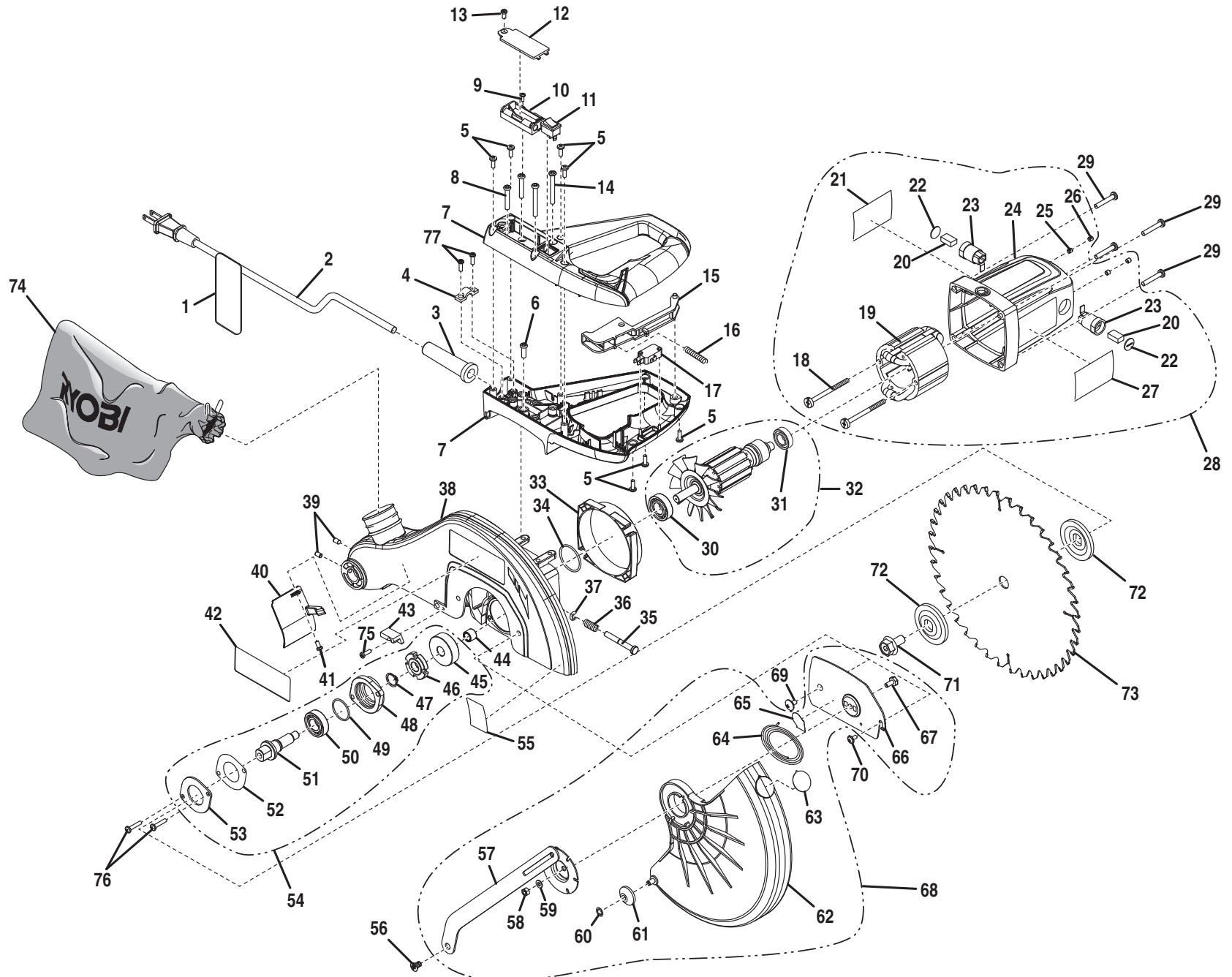


FIGURE A

RYOBI 10 in. COMPOUND MITER SAW – MODEL NUMBER TS1343L

The model number will be found on a label attached to the motor housing. Always mention the model number in all correspondence regarding your **MITER SAW** or when ordering repair parts.

FIGURE A PARTS LIST

KEY NO.	PART NUMBER	DESCRIPTION	QTY.	KEY NO.	PART NUMBER	DESCRIPTION	QTY.
1	080006014904	Cord Wrap Warning Label (Fr/Sp).....	1	40	080006014049	Laser Cover.....	1
2	080006014056	Cord Assembly.....	1	41	080006014050	Screw (M4 x 6 mm, Pan Hd.).....	1
3	089100207100	Bend Relief.....	1	42	080006014906	Logo Label.....	1
4	089100200129	Cord Clamp.....	1	43	089100207047	Stop Block.....	1
5	089100207087	Screw (M4 x 16 mm, Pan w/Washer Hd.).....	7	44	080009002050	Needle Bearing.....	1
6	080009002068	Screw (M3 x 12 mm).....	1	45	080006014042	Gear.....	1
7	080006014706	D-Handle Assembly.....	1	46	080006014043	Lock Ring.....	1
8	080006014074	Screw (M5 x 20 mm).....	2	47	080009002055	C-Ring (STW15).....	1
9	080009004038	Screw (M3 x 8 mm, Pan Hd.).....	1	48	080009005104	Bearing Cover.....	1
10	080006014057	Battery Compartment.....	1	49	089100302119	O-Ring.....	1
11	089240001065	Laser Switch.....	1	50	080009002056	Ball Bearing (6002TU/TZ/CM/5C).....	1
12	080006014062	Battery Box Cover.....	1	51	080006014044	Gear Shaft.....	1
13	080006014061	Screw (M4 x 10 mm).....	1	52	080009002913	Gasket.....	1
14	089240001052	Screw (M5 x 30 mm, Pan Hd.).....	2	53	089240001044	Bearing Holder Plate.....	1
15	089100207090	Switch Actuator.....	1	54	080006014710	Arbor Assembly (Inc. Key Nos. 45-53).....	1
16	080006014060	Compression Spring.....	1	55	080006014908	Pivot Plate Screw Warning Label.....	1
17	089100207098	Switch.....	1	56	089100207027	Screw (M3).....	1
18	080006014053	Screw w/Washer (M5 x 65 mm, Pan Hd.).....	2	57	080006014708	Linkage Assembly.....	1
19	080006014703	Field Assembly.....	1	58	089100207028	Lock Nut (M6).....	1
20	080009002077	Brush.....	2	59	089100207031	Washer (D6 x D16 x 1t).....	1
21	080006014901	Data Label.....	1	60	089100207102	Retaining Ring.....	1
22	080006014048	Holder Cap.....	2	61	089100207103	Guide Roller.....	1
23	080009002078	Brush Holder.....	2	62	080006014063	Lower Guard.....	1
24	080006014047	Motor Housing.....	1	63	089100207097	No Hands Warning Label.....	1
25	080009005116	Screw (M5 x 5 mm, Set).....	2	64	080006014066	Return Spring.....	1
26	080009002080	Screw (M5 x 6 mm, Set).....	2	65	089100207051	Blade Direction Warning Label.....	1
27	080006014902	Warning/Danger Label.....	1	66	080006014064	Rotating Cover.....	1
28	080006014709	Motor Housing Assembly (Inc. Key Nos. 18-27).....	1	67	089100207039	Screw (Special).....	1
29	080006014046	Screw (M5 x 35 mm, Pan Hd.).....	4	68	080006014707	Lower Blade Guard Assembly (Inc. Key Nos. 57-67).....	1
30	080009002086	Ball Bearing (6200TU/TZ/CM/5C).....	1	69	089240001064	Screw (M5 x 10 mm, Shoulder).....	1
31	080009002085	Ball Bearing (608 2RS C3).....	1	70	A19001040091	Screw (M4 x 9 mm, Pan Hd.).....	1
32	080006014705	Armature Assembly (Inc. Key Nos. 30-31).....	1	71	089100207042	Arbor Blade Bolt.....	1
33	080006014037	Baffle.....	1	72	089100207043	Flange.....	2
34	080009002053	O-Ring.....	1	73	089100207045	Blade (Carbide - 10 in. x 24t).....	1
35	080006014038	Spindle Lock Pin.....	1	74	080006014027	Dust Bag Assembly.....	1
36	089100207065	Compression Spring.....	1	75	080006014026	Screw (M4 x 12 mm, Pan Hd.).....	1
37	089100207066	E-Ring.....	1	76	089100208108	Screw (M4 x 20 mm, Pan Hd.).....	2
38	080006014702	Arm Assembly (Inc. Key Nos. 34, 42, 44 and 55).....	1	77	089240001093	Screw (M4 x 16 mm, Pan Hd.).....	2
39	089100208104	Screw (M5 x 8 mm, Set).....	2				

RYOBI 10 in. COMPOUND MITER SAW – MODEL NUMBER TS1343L

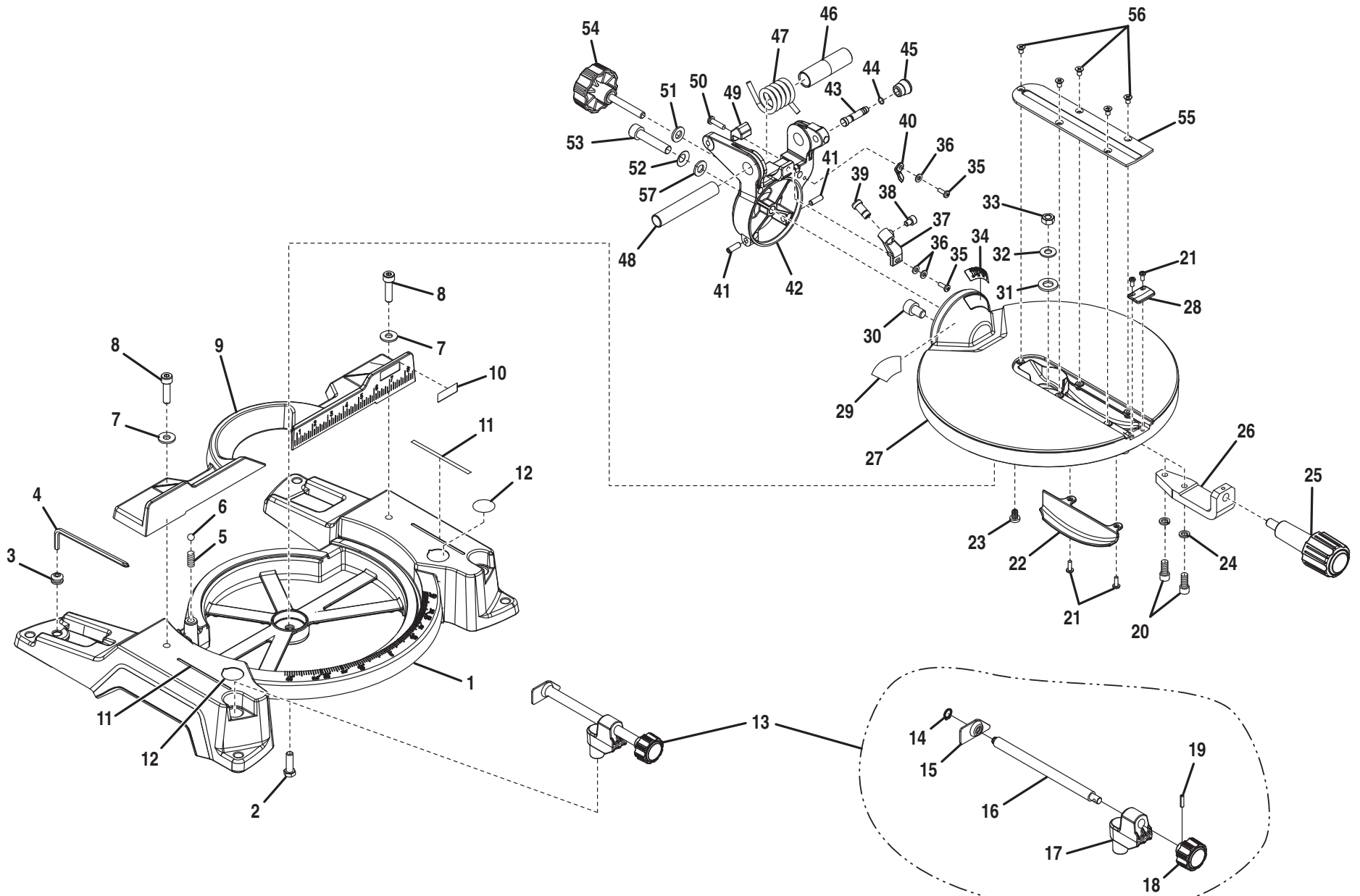


FIGURE B

