

RYOBI 7-1/4 in. COMPOUND MITER SAW – MODEL NUMBER TS1141

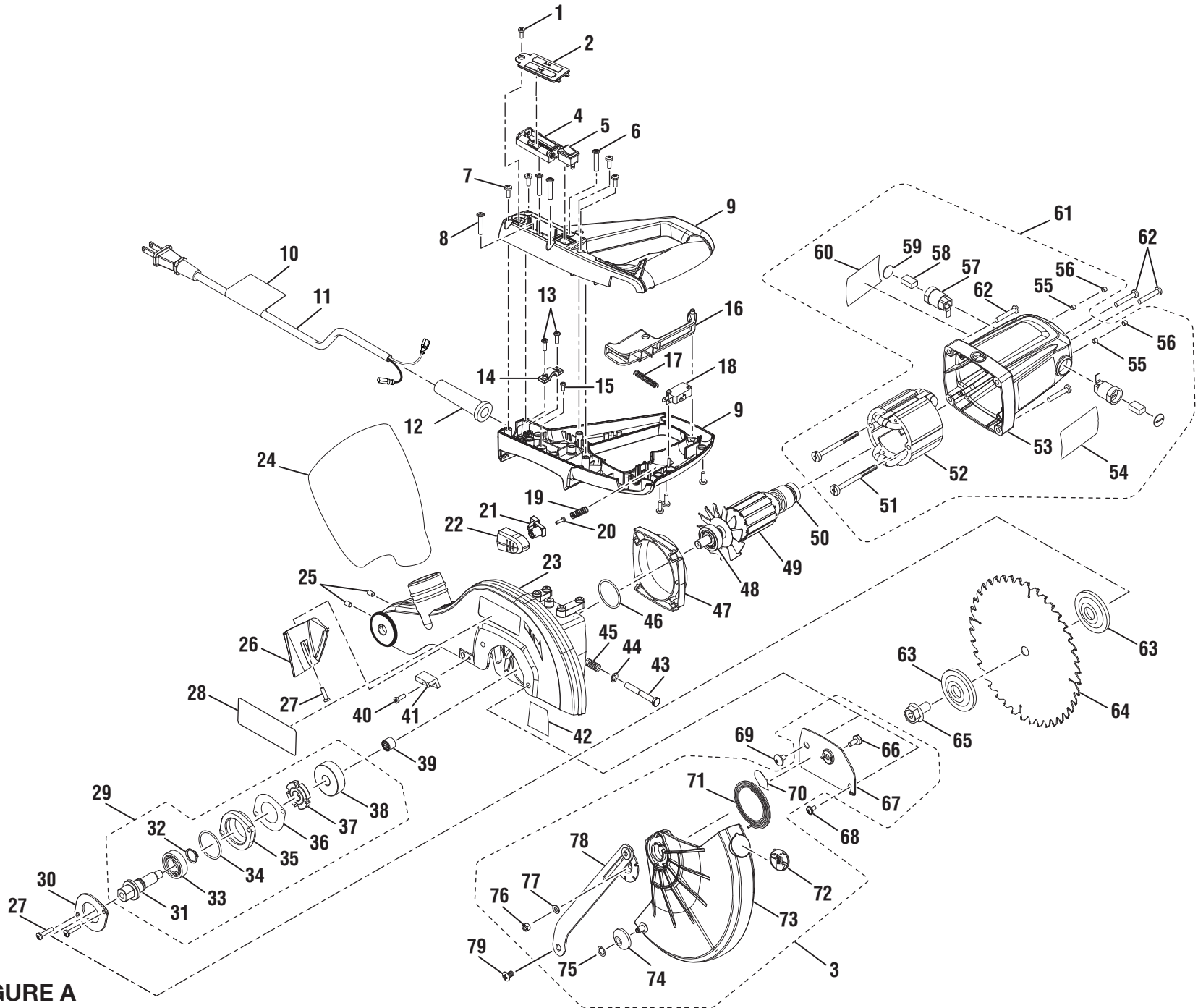


FIGURE A

RYOBI 7-1/4 in. COMPOUND MITER SAW – MODEL NUMBER TS1141

The model number will be found on a label attached to the motor housing. Always mention the model number in all correspondence regarding your 7-1/4 in. **COMPOUND MITER SAW** or when ordering parts.

PARTS LIST FOR FIGURE A

KEY NO.	PART NUMBER	DESCRIPTION	QTY	KEY NO.	PART NUMBER	DESCRIPTION	QTY
1	080006014061	Screw (M4 x 10 mm).....	1	23	089240001702	Upper Blade Guard w/Gear Box Assembly (Inc. Key Nos. 28, 39 & 42)	1
2	080006014062	Battery Box Cover	1	24	080006014027	Dust Bag Assembly	1
3	089240001708	Lower Blade Guard Assembly (Inc. Key Nos. 66-67 and 70-78).....	1	25	089240001041	Screw (M4 x 8 mm).....	2
4	080009004037	Battery Compartment	1	26	089240001037	Laser Cover	1
5	089240001065	Laser Switch	1	27	089240001038	Screw (M4 x 18 mm).....	3
6	089240001052	Screw (M5 x 30 mm).....	2	28	089240001905	Logo Label (Large)	1
7	089240001093	Screw (M4 x 16 mm).....	7	29	089240001703	Spindle Assembly (Inc. Key Nos. 31-38)	1
8	089240001054	Screw (M5 x 22 mm).....	2	30	089240001044	Bearing Holder Plate.....	1
9	089240001711	Handle Assembly.....	1	31	089240001042	Spindle.....	1
10	080006014904	Cord Wrap Warning Label	1	32	080009002055	C-Ring.....	1
11	089240001055	Power Cord.....	1	33	080009002056	Ball Bearing (6002 TU/TZ/CM/5C).....	1
12	588004100	Bend Relief (D16 x 24 x 75 mm)	1	34	A63020000320	O-Ring	1
13	080006014059	Screw (M4 x 12 mm).....	2	35	080009005104	Bearing Cover.....	1
14	578313006	Cord Clamp	1	36	080009002913	Gasket.....	1
15	089240001027	Screw (M5 x 8 mm).....	1	37	080006014043	Lock Ring.....	1
16	089240001061	Trigger.....	1	38	089240001077	Gear	1
17	588313100	Compression Spring (Trigger)	1	39	080009002050	Needle Bearing	1
18	580302000	Switch.....	1	40	080006014026	Screw (M4 x 12 mm).....	1
19	089240001060	Compression Spring	1	41	589032207	Stop Block	1
20	089240001059	Screw (M3 x 10 mm).....	1	42	089240001907	Warning Label.....	1
21	089240001057	Safety Buckle.....	1	43	080006014038	Spindle Lock Pin.....	1
22	089240001058	Safety Buckle Cover	1	44	A47000040006	E-Ring	1

RYOBI 7-1/4 in. COMPOUND MITER SAW – MODEL NUMBER TS1141

The model number will be found on a label attached to the motor housing. Always mention the model number in all correspondence regarding your 7-1/4 in. **COMPOUND MITER SAW** or when ordering parts.

PARTS LIST FOR FIGURE A

KEY NO.	PART NUMBER	DESCRIPTION	QTY	KEY NO.	PART NUMBER	DESCRIPTION	QTY
45	089100207065	Compression Spring	1		089240001715 **	Motor Housing Assembly (Inc. Key Nos. 51-60)	1
46	080009002053	O-Ring	1	62	080006014046	Screw (M5 x 35 mm)	4
47	089240001040	Baffle	1	63	080009002060	Flange Washer	2
48	080009002086	Ball Bearing (6200 TU/TZ/CM/5C)	1	64	089240001909	Blade (7 1/4 in. x 24t)	1
49	089240001706 *	Armature Assembly (Inc. Key Nos. 48 and 50)	1	65	089240001071	Blade Bolt (5mm, Hex Head)	1
	089240001713 **	Armature Assembly (Inc. Key Nos. 48 and 50)	1	66	581410003	Shoulder Bolt	1
50	080009002085	Ball Bearing (608 2RS C3)	1	67	089240001063	Pivot Plate	1
51	089240001092 *	Screw (M5 x 60 mm)	2	68	A19001040091	Screw (M4 x 9 mm)	1
	089240001086 **	Screw (M5 x 50 mm)	2	69	089240001064	Screw (M5 x 5 mm)	1
52	089240001705 *	Field Assembly	1	70	089100207051	Blade Direction Label	1
	089240001714 **	Field Assembly	1	71	089240001066	Torsion Spring	1
53	089240001046	Motor Housing	1	72	089100207097	No Hands Warning Label	1
54	089240001902	Warning Label	1	73	089240001062	Lower Blade Guard	1
55	080009005116	Screw (M5 x 5 mm)	2	74	089240001094	Guide Roller	1
56	080009002080	Screw (M5 x 6 mm)	2	75	089100207102	Retaining Ring	1
57	080009002078	Brush Holder	2	76	089100207028	Nut (M6)	1
58	080009002077	Brush	2	77	089240001070	Washer (D6 x D10 x 1t)	1
59	080006014048	Brush Cap	2	78	089240001069	Linkage Assembly	1
60	089240001901	Data Label	1	79	589015108	Screw (M3)	1
61	089240001704 *	Motor Housing Assembly (Inc. Key Nos. 51-60)	1		Not Shown: 987000952	Operator's Manual	1
					2-3-11 (Rev:05)		

* Use these parts for tools built prior to Serial Number BK102323802.
 ** Use these parts for tools built after Serial Number BK102323802.
 Single asterisk parts (*) and Double asterisk parts (**) will not interchange with each other.

RYOBI 7-1/4 in. COMPOUND MITER SAW – MODEL NUMBER TS1141

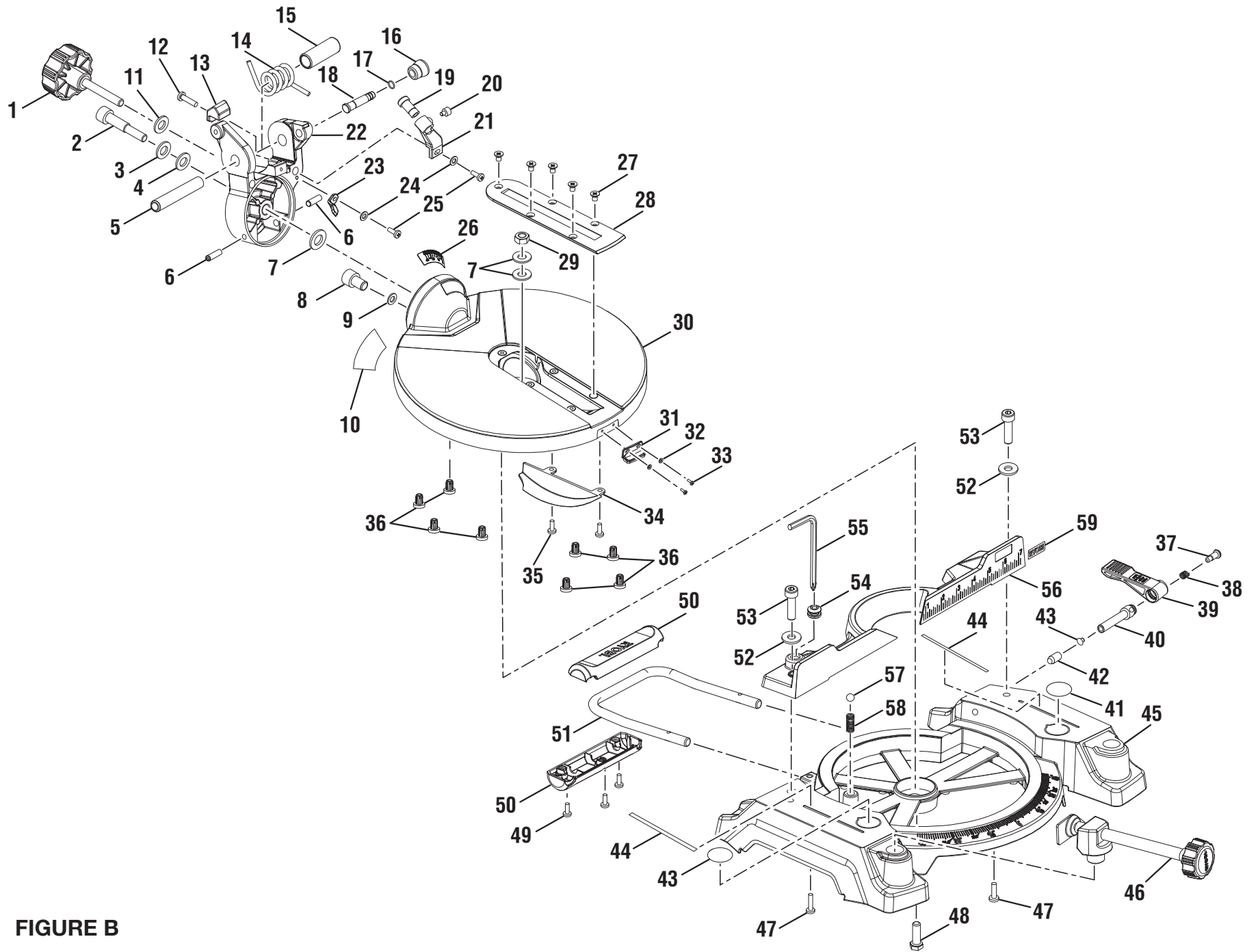


FIGURE B

RYOBI 7-1/4 in. COMPOUND MITER SAW – MODEL NUMBER TS1141

The model number will be found on a label attached to the motor housing. Always mention the model number in all correspondence regarding your 7-1/4 in. COMPOUND MITER SAW or when ordering parts.

PARTS LIST FOR FIGURE B

KEY NO.	PART NUMBER	DESCRIPTION	QTY	KEY NO.	PART NUMBER	DESCRIPTION	QTY
1	089240001090	Bevel Handle.....	1	31	089240001015	Miter Indicator.....	1
2	089240001030	Bolt (M8)	1	32	089240001017	Washer (M3).....	2
3	080001020014	Bowl Washer (D18 x D8.5 x 0.5t).....	1	33	089240001016	Screw (M3 x 10 mm).....	2
4	080001020015	Flat Washer (D23 x D8.2 x 2t).....	1	34	089240001013	Safety Guard.....	1
5	089240001033	Shaft	1	35	A10003040085	Screw (M4 x 8 mm).....	2
6	089240001023	Screw (M8 x 18 mm).....	2	36	080006014002	Wear Ring	8
7	089240001087	Washer (D8.2 x D20 x 1.5t).....	3	37	089240001007	Screw (M5).....	1
8	089240001019	Screw (M8 x 10 mm).....	1	38	089240001008	Spring	1
9	089100207019	Spring Washer (M8)	1	39	089240001006	Miter Lock Lever	1
10	089240001903	Warning Label.....	1	40	089240001009	Shaft w/Threads.....	1
11	080006014016	Washer (D10 x D20 x 2t)	1	41	089240001010	Plug (D4 x 5 mm)	1
12	089240001091	Screw (M5 x 12 mm).....	1	42	089240001084	Miter Lock Block.....	1
13	080006014024	Stop Block	1	43	089100207097	No Hands Warning Label.....	2
14	089240001035	Tension Spring	1	44	089240001908	No Hands Boundary Label	2
15	089240001034	Spacer Spring.....	1	45	089240001001	Base.....	1
16	080006014019	Lock Pin Cap	1	46	089240001709	Work Clamp	1
17	A63000000051	O-Ring	1	47	089240001003	Screw (M5 x 18 mm).....	2
18	089240001024	Spindle Lock Pin.....	1	48	089240001018	Bolt (M8 x 23 mm, Hex Soc. Hd.).....	1
19	080006014029	Laser Module	1	49	080006014059	Screw (M4 x 12 mm).....	3
20	089240001029	Screw (M4 x 5 mm).....	1	50	089240001710	Carry Handle Assembly	1
21	089240001028	Laser Bracket.....	1	51	089240001002	Extension Bar.....	1
22	089240001022	Knuckle	1	52	A36030814204	Spring Lock Washer (M8)	2
23	080006014021	Bevel Indicator.....	1	53	089240001021	Screw (M8 x 30 mm).....	2
24	A35030410018	Washer (D4.2 x D10 x1t)	2	54	089100207013	Grommet.....	1
25	080006014026	Screw (M4 x 12 mm).....	2	55	089240001076	Hex Key (M5)	1
26	089240001026	Bevel Scale Label	1	56	089240001020	Fence	1
27	A16003040083	Screw (M4 x 8 mm).....	5	57	080009005182	Steel Ball (M8).....	1
28	089240001012	Throat Plate	1	58	089240001085	Compression Spring.....	1
29	089077001011	Nut (M8)	1	59	089240001906	Logo Label (Small)	1
30	089240001011	Table	1				