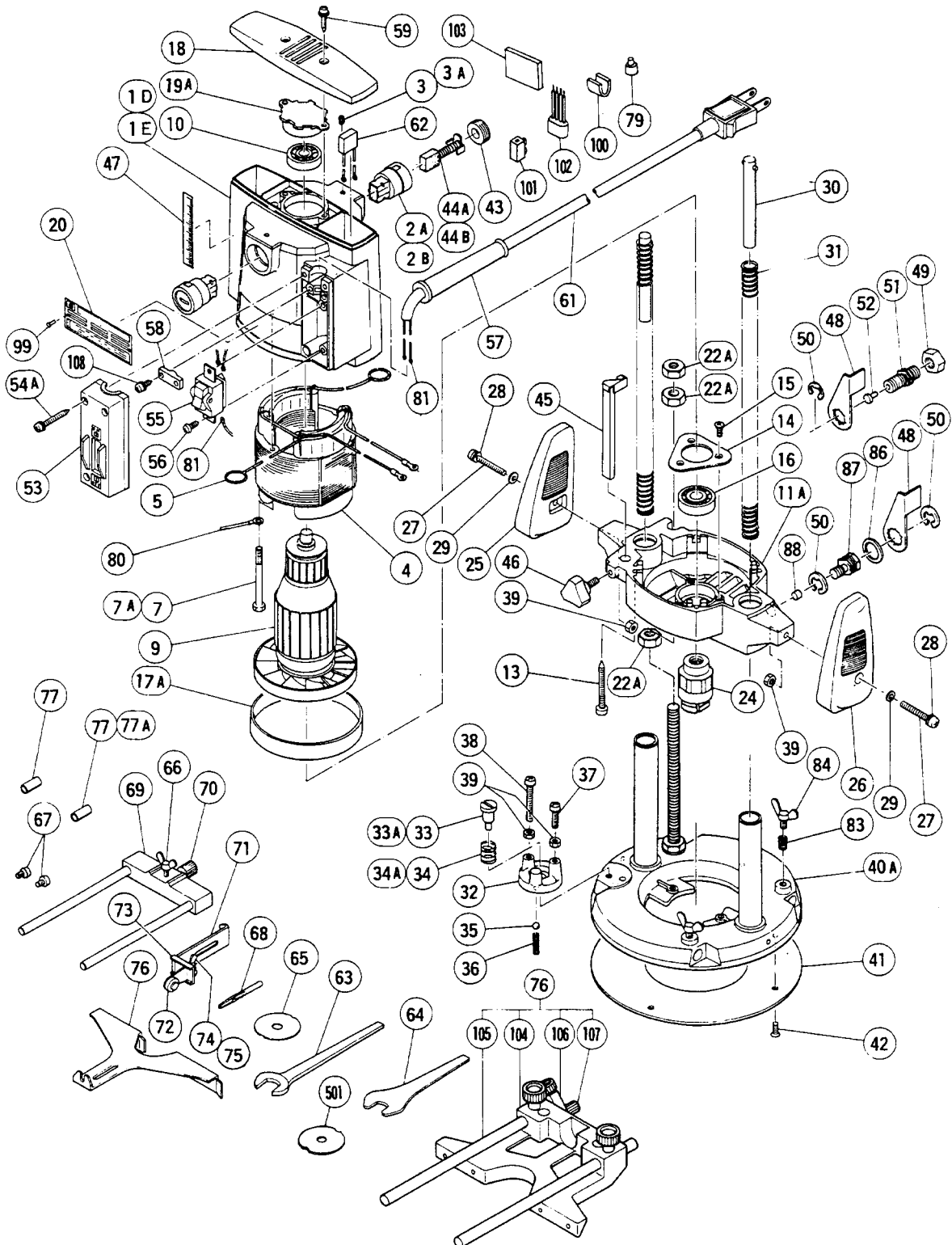


## ELECTRIC TOOL PARTS LIST

■ TRIMMER  
Model TR-12

1994 • 3 • 3  
(E11)



## PARTS

TR-12

ITEM NO.	CODE NO.	DESCRIPTION	NO. USED	REMARKS
* 1D	997-460	HOUSING ASS'Y	1	INCLUD.2B,3A,7A
* 1D	997-461	HOUSING ASS'Y	1	INCLUD.2B,3A,7A FOR USA
* 1E	997-462	HOUSING ASS'Y	1	INCLUD.2B,3A,7A FOR AUT
* 2A	953-123Z	BRUSH HOLDER	2	TILL 12.1983 FOR AUT
* 2B	986-773	BRUSH HOLDER	2	SINCE 7.1983
* 2B	986-774	BRUSH HOLDER	2	SINCE 1.1984 FOR AUT
3	949-365	SLOTTED HD. SET SCREW M4X5 (10 PCS.)	2	TILL 10.1985
3A	938-477	HEX. SOCKET SET SCREW M5X8	2	SINCE 11.1985
* 4	956-762C	STATOR ASS'Y 110V - 115V	1	INCLUD.5
* 4	956-762D	STATOR ASS'Y 120V - 127V	1	INCLUD.5
* 4	956-762E	STATOR ASS'Y 220V - 230V	1	INCLUD.5
* 4	956-762F	STATOR ASS'Y 240V	1	INCLUD.5
* 4	956-762G	STATOR ASS'Y 230V	1	INCLUD.5 FOR NZL
* 4	956-935G	STATOR ASS'Y 230V	1	INCLUD.6 FOR SAF
* 4	956-935F	STATOR ASS'Y 240V	1	INCLUD.5 FOR GBR
* 4	956-935C	STATOR ASS'Y 110V - 115V	1	INCLUD.5 FOR GBR
5	998-744	BRUSH TERMINAL	2	
7	956-763	BOLT (+HD.) M5X60	2	TILL 7.1986
7A	960-251	HEX. HD. TAPPING SCREW D5X85	1	SINCE 8.1986
* 9	956-766U	ARMATURE ASS'Y 110V - 115V	1	INCLUD.10,16
* 9	956-766D	ARMATURE 120V - 127V	1	
* 9	956-766E	ARMATURE 220V - 230V	1	
* 9	956-766F	ARMATURE 240V	1	
10	620-0VV	BALL BEARING 6200VVCMP2S	1	
11A	997-464	END BRACKET ASS'Y	1	INCLUD.50,88,87,88
13	956-669	TAPPING SCREW D5X55	4	
14	956-768	BEARING COVER	1	
15	949-322	FLAT HD. SCREW M4X10 (10 PCS.)	3	
16	620-1VV	BALL BEARING 6201VVCMP2S	1	
17A	956-938	INSULATION RING (B)	1	
* 18	956-770	END COVER	1	
* 18	956-819	END COVER	1	FOR CAN
19A	961-443	BEARING BUSHING	1	
* 20		NAME PLATE	1	
22A	949-572	LOCK NUT M10 (10 PCS.)	3	
* 24	956-920	COLLET CHUCK 12MM	1	
* 24	956-926Z	COLLET CHUCK 1/2"	1	
* 24	956-912	COLLET CHUCK 10MM	1	FOR SUI,FRA
* 24	956-911	COLLET CHUCK (A) 1/2"	1	FOR USA
25	956-776	HANDLE (L)	1	
26	956-777	HANDLE (R)	1	
27	949-247	MACHINE SCREW M5X35 (10 PCS.)	2	
28	949-454	SPRING WASHER M5 (10 PCS.)	2	
29	949-431	BOLT WASHER M5 (10 PCS.)	2	
30	956-778	SPRING GUIDE	2	
31	956-779	SPRING	2	
32	956-780	STOPPER BLOCK	1	
33	956-781	SET BOLT	1	TILL 2.1987
33A	997-465	SELF TAPPING SCREW (W/WASHER) D4X12	1	SINCE 3.1987
34	956-818	SPRING (A)	1	TILL 2.1987
34A	971-858	SPRING (A)	1	SINCE 3.1987

\*: ALTERNATIVE PARTS

## PARTS

TR-12

ITEM NO.	CODE NO.	DESCRIPTION	NO. USED	REMARKS
35	959-150	STEEL BALL D6.35 (10 PCS.)	1	TILL 2.1987
36	955-356	SPRING	1	TILL 2.1987
37	949-241	MACHINE SCREW M5X20 (10 PCS.)	1	
38	949-248	MACHINE SCREW M5X40 (10 PCS.)	1	
39	949-555	NUT M5 (10 PCS.)	4	
40A	997-483	BASE ASSY	1	INCLUD.33A,34A
41	958-783	SUB BASE	1	
42	949-331	FLAT HD. SCREW M5X10 (10 PCS.)	4	
* 43	940-540	BRUSH CAP	2	
* 43	937-949	BRUSH CAP	2	FOR AUT
44A	999-036	CARBON BRUSH (1 PAIR)	2	TILL 6.1983
44B	999-038	CARBON BRUSH (1 PAIR)	2	SINCE 7.1983
45	958-784	STOPPER POLE	1	
46	958-573	KNOB SCREW M5	1	
* 47	958-785	SCALE (MM)	1	
* 47	958-775P	SCALE (INCH)	1	
48	958-786	LOCK LEVER	1	
49	946-541	U - NUT M12	1	TILL 2.1987
50	870-514	RETAINING RING (E - TYPE) FOR D10 SHAFT	2	
51	958-787	LOCK SCREW	1	TILL 2.1987
52	958-921	LOCK PIN	1	MADE OF BRASS TILL 2.1987
53	958-788	SWITCH COVER	1	
54A	306-999	TAPPING SCREW (W/FLANGE) D4X25	3	
* 55	958-789	SWITCH (2P SCREW TYPE)	1	
56	958-715	TAPPING SCREW D4X10	2	
57	936-422	CORD ARMOR D10.8	1	
58	937-631	CORD CLIP	1	
59	930-448	TAPPING SCREW (W/WASHER) D4X16	2	
* 61	500-212Z	CORD	1	(CORD ARMOR D10.8)FOR ASIA
* 61	500-214Z	CORD	1	(CORD ARMOR D10.8)FOR ASIA
* 61	500-223Z	CORD	1	(CORD ARMOR D10.8)FOR SIN
* 61	500-228Z	CORD	1	(CORD ARMOR D10.8)FOR OCEANIA
* 61	500-231Z	CORD	1	(CORD ARMOR D10.8)FOR SAF
* 61	500-234Z	CORD	1	(CORD ARMOR D10.8)FOR EUROPE
* 61	500-241Z	CORD	1	(CORD ARMOR D10.8)FOR USA
* 61	500-420Z	CORD	1	(CORD ARMOR D10.8)FOR SAU (127V)
* 61	500-423Z	CORD	1	(CORD ARMOR D10.8)FOR SAU (220V)
* 62	994-273	NOISE SUPPRESSOR	1	
* 62	500-258Z	NOISE SUPPRESSOR	1	FOR NZL.SAF
63	958-922	WRENCH 23MM	1	
64	958-923	WRENCH 21MM	1	
* 65	958-790	TEMPLATE GUIDE D18	1	
* 65	958-833	TEMPLATE GUIDE D27	1	(TILL 9.1987 FOR FRG)
66	949-394	WING BOLT M6X10 (10 PCS.)	1	
67	949-234	MACHINE SCREW M5X6 (10 PCS.)	2	
* 68	958-808	STRAIGHT BIT (TCT) D8X8	1	FOR 12MM COLLET CHUCK
* 68	958-817Z	STRAIGHT BIT (TCT) D1/2"X1/2"	1	FOR 1/2" COLLET CHUCK
69	958-792	BAR HOLDER	1	
70	958-793	FEED SCREW	1	
71	958-794	TRIMMER GUIDE	1	INCLUD. 72 - 75
72	958-795	ROLLER	1	

\*: ALTERNATIVE PARTS

PARTS

TR-12

ITEM NO.	CODE NO.	DESCRIPTION	NO. USED	REMARKS	
73	958-798	SET PLATE	1		
74	949-432	BOLT WASHER M8 (10 PCS.)	1		
75	949-394	WING BOLT M8X10 (10 PCS.)	1		
* 76	958-797	STRAIGHT GUIDE	1		
* 78	958-914	STRAIGHT GUIDE (A) ASS'Y	1	INCLUD.104 - 107 FOR FRA,SUI	
* 77	958-798	CHUCK SLEEVE 12X8	1	FOR 12MM COLLET CHUCK	
* 77	958-799	CHUCK SLEEVE 12X8	1	FOR 12MM COLLET CHUCK	
* 77	958-913	CHUCK SLEEVE 10X1/4"	1	FOR 10MM COLLET CHUCK FOR SUI	
* 77	958-927Z	CHUCK SLEEVE 1/2"X1/4"	1	FOR 1/2" COLLET CHUCK	
* 77	958-928Z	CHUCK SLEEVE 1/2"X3/8"	1	FOR 1/2" COLLET CHUCK	
* 77A	303-487	CHUCK SLEEVE 10X8	1	FOR 10MM COLLET CHUCK FOR FRA	
* 79	959-140	CONNECTOR 50091 (10 PCS.)	7		
* 80	937-633	INTERNAL WIRE	1		
* 80	981-589	INTERNAL WIRE	1		
* 80		INTERNAL WIRE	1	FOR FIN	
* 81	980-356	TERMINAL (A) M3.5 (10 PCS.)	2	FOR CORD	
83	947-859	LOCK SPRING	2		
84	958-924	WING BOLT M8X15	2		
* 86	971-846	WAVE WASHER	1		
* 87	971-847	LOCK SCREW	1		
* 88	971-848	LOCK PIECE	1		
* 99	949-509	RIVET D2.5X3.2 (10 PCS.)	2		
* 100	930-153	SUPPORT (B)	1		
* 101	938-307Z	PILLAR TERMINAL	1		
* 102	500-323	CHOKE COIL	1	FOR NZL,SAF	
* 103	963-243	SUPPORT	1		
* 104	958-915	STRAIGHT GUIDE (A)	1	FOR FRA,SUI	
* 105	958-916	GUIDE BAR	2	FOR FRA,SUI	
* 106	958-917	SCREW HOLDER	1	FOR FRA,SUI	
* 107	958-918	FEED SCREW (A)	1	FOR FRA,SUI	
* 108	984-750	TAPPING SCREW (W/FLANGE) D4X16	2		

\*: ALTERNATIVE PARTS

**STANDARD ACCESSORIES**

ITEM NO.	CODE NO.	DESCRIPTION	NO. USED	REMARKS
501	958-758	TEMPLATE GUIDE ADAPTER	1	FOR USA,CAN

**OPTIONAL ACCESSORIES**

ITEM NO.	CODE NO.	DESCRIPTION	NO. USED	REMARKS
601	958-758	COLLET CHUCK (B) 10MM	1	FOR FRA,SUI
602	958-759	CHUCK SLEEVE 1/2"X8	1	FOR 1/2" COLLET CHUCK FOR FRA,SUI
603	958-929Z	CHUCK SLEEVE 12X1/4"	1	FOR 12MM COLLET CHUCK
604	958-930Z	CHUCK SLEEVE 12X3/8"	1	FOR 12MM COLLET CHUCK
605	958-931Z	CHUCK SLEEVE 1/2"X10	1	FOR 1/2" COLLET CHUCK
608	958-932	TEMPLATE GUIDE D20	1	
607	958-933	TEMPLATE GUIDE D27	1	
608	958-934	TEMPLATE GUIDE D30	1	
609	958-939Z	COLLET CHUCK (B) 12MM	1	
610	997-486	DUST COLLECTION ADAPTER SET	1	INCLUD.611,612
611	997-487	KNOB NUT	2	
612	949-237	MACHINE SCREW M5X12 (10 PCS.)	2	
613	303-347	TEMPLATE GUIDE D9.5	1	
614	303-348	TEMPLATE GUIDE D10	1	
615	303-349	TEMPLATE GUIDE D11.1	1	
616	303-350	TEMPLATE GUIDE D12	1	
617	303-351	TEMPLATE GUIDE D12.7	1	
618	303-352	TEMPLATE GUIDE D14	1	
619	303-353	TEMPLATE GUIDE D16	1	
620	303-354	TEMPLATE GUIDE D24	1	
621	303-355	TEMPLATE GUIDE D40	1	
622	958-803	DOUBLE FLUSH TRIMMING BIT (TCT) D12X12	1	
623	958-806	FLUSH TRIMMING BIT (TCT) D12X12	1	
624	958-809	STRAIGHT BIT (TCT) D12X10	1	
625	958-810	STRAIGHT BIT (TCT) D12X12	1	
626	958-812	ROUND OVER BIT (TCT) D12XR6X20	1	
627	958-813	ROUND OVER BIT (TCT) D12XR8X24	1	

\*: ALTERNATIVE PARTS