

Tanaka Illustrated Parts Manual

Model Number:

TPK-400GS

40cc Paveracer Kart

P/N 32220

Rev 000

Date 3-13-04

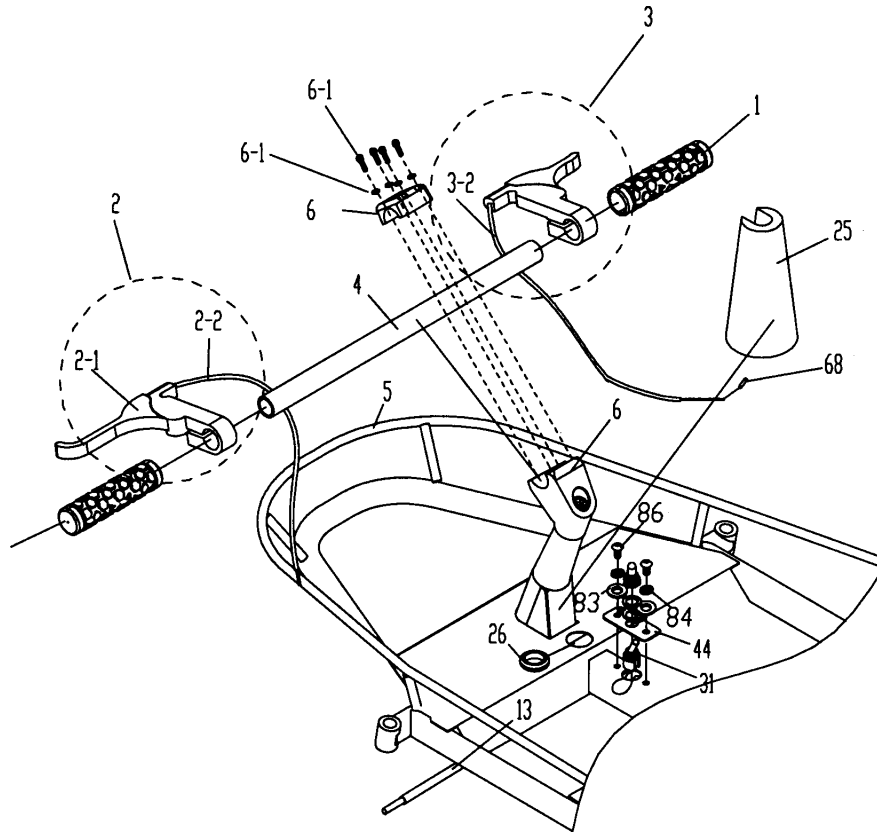


Supplier To The Outdoor Power Equipment Industry

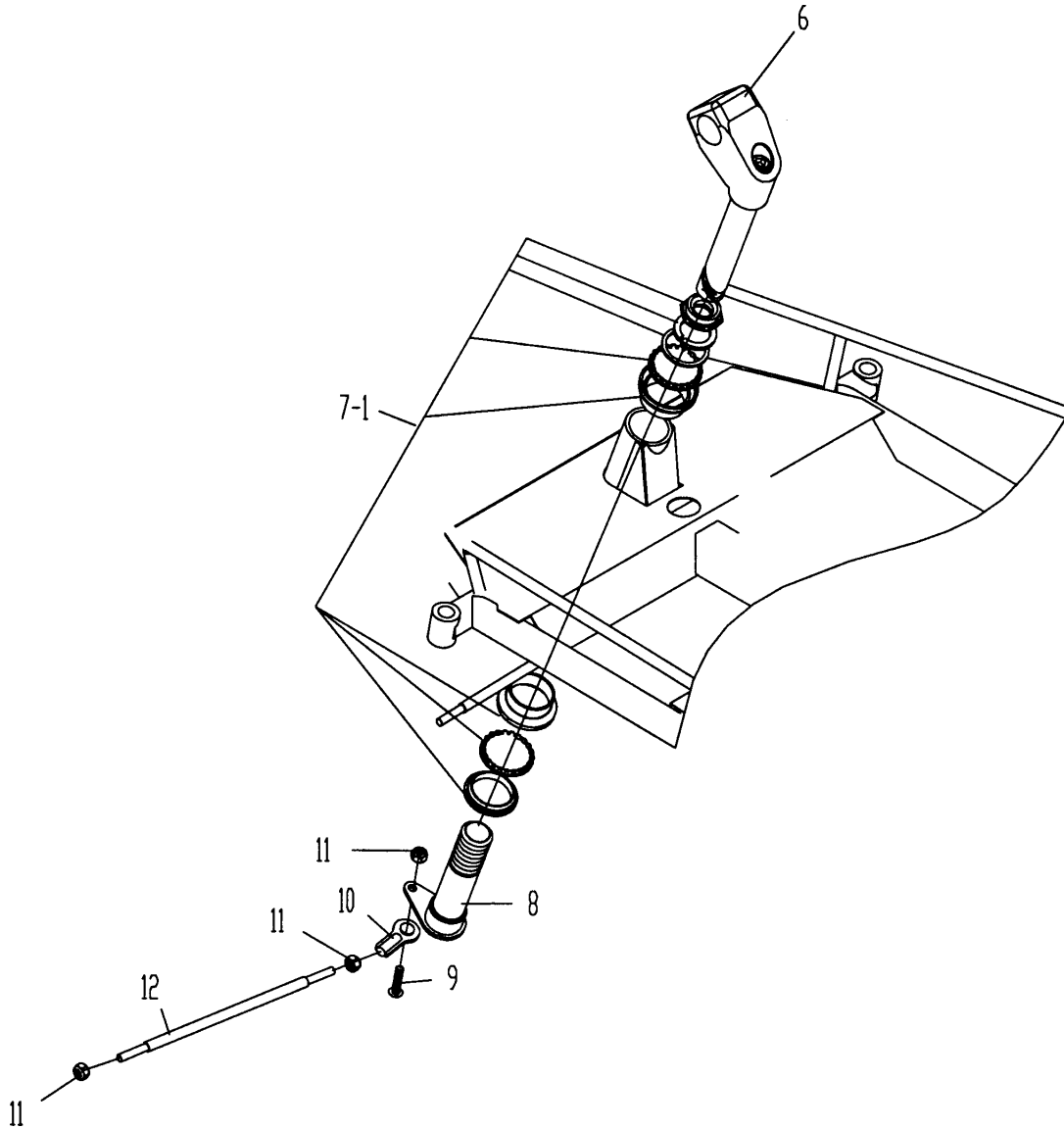
ISM, Inc. • 1028 4th Street SW • Auburn, WA 98001 • Phone: (253) 333-1200 • Fax: (253) 333-1212

www.tanaka-usa.com

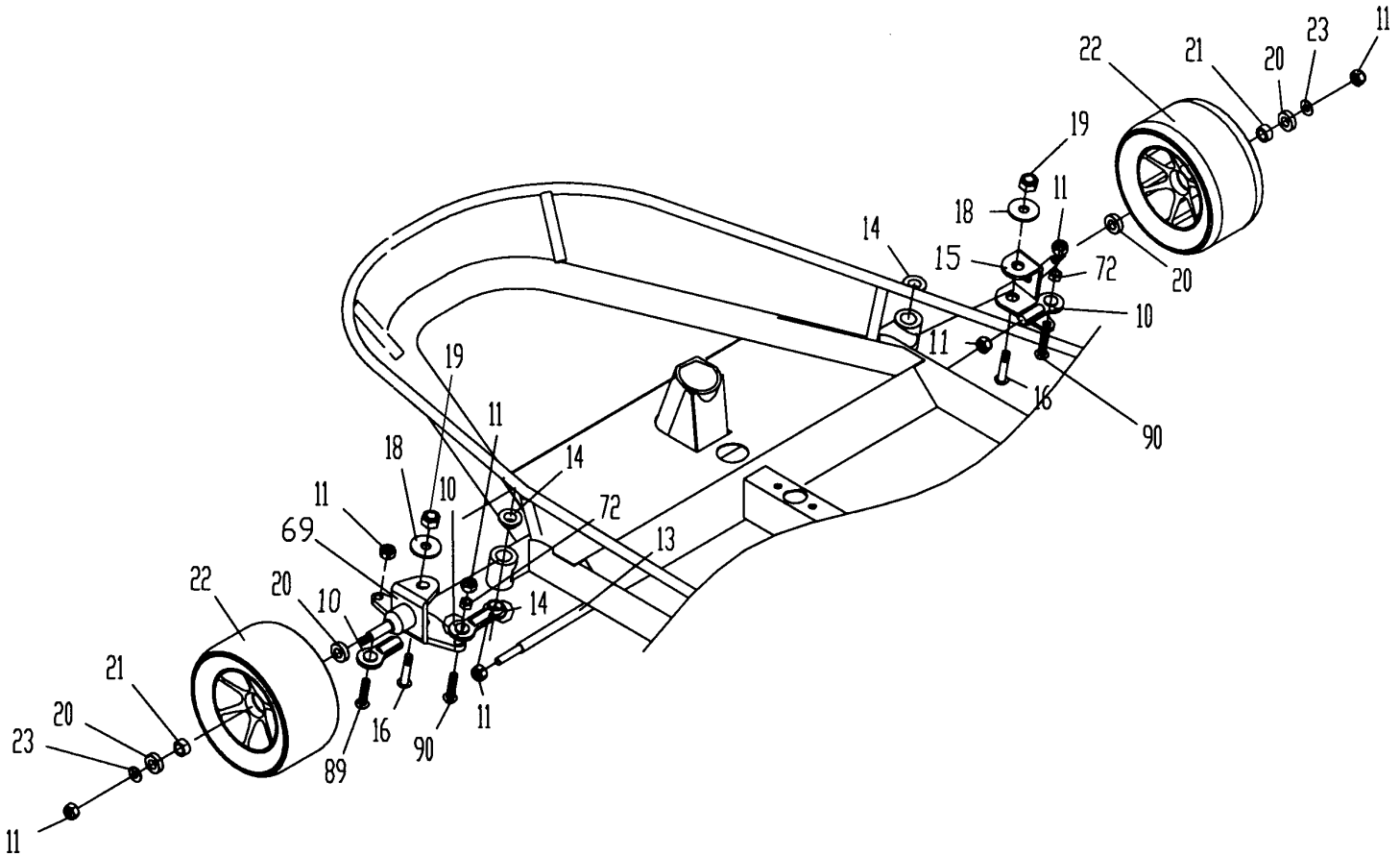
custsvc@tanaka-ism.com



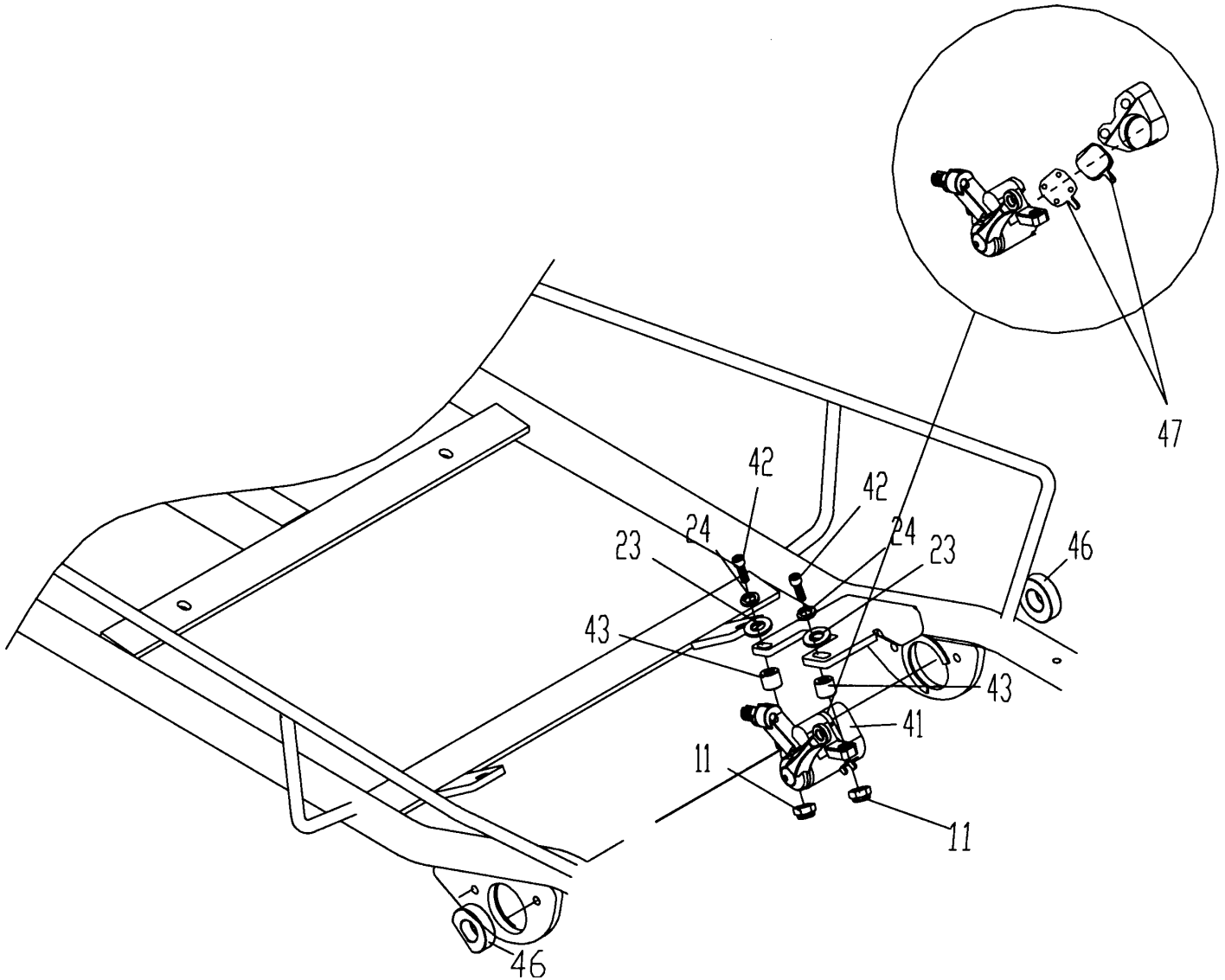
ITEM	PART NUMBER	DESCRIPTION	QTY	COMMENTS
1-1	30798	GRIP, HANDLE	2	
1-2	70079	LEVER, BRAKE ASS'Y	1	
1-2-1	30801	LEVER, BRAKE	1	
1-2-2	70023	CABLE, BRAKE, TPK	1	
1-3	70024	LEVER, THROTTLE ASSY, TPK	1	
1-3-2	70026	CABLE, THROTTLE, TPK	1	
1-4	70027	HANDLEBAR, TPK	1	
1-5	70028 BK	FRAME, BLACK, TPK	1	
1-6	70029	HANDLEBAR STEM	1	
1-6-1	70078	HANDLEBAR STEM CAP	1	
1-13	70041	TIE ROD, LONG	1	
1-25	70051	HANDLEBAR NYLON	1	
1-26	70052	PLASTIC, GM2518	1	
1-31	70055	SWITCH, TOGGLE, TPK	1	
1-44	70066	PLATE, SWITCH	1	
1-68	70068	CABLE END, THROTTLE	1	
1-83	70076	WASHER	2	
1-84	30830	WASHER, SPRING M6	2	
1-86	31566	BOLT, M6xP1.0x15	2	



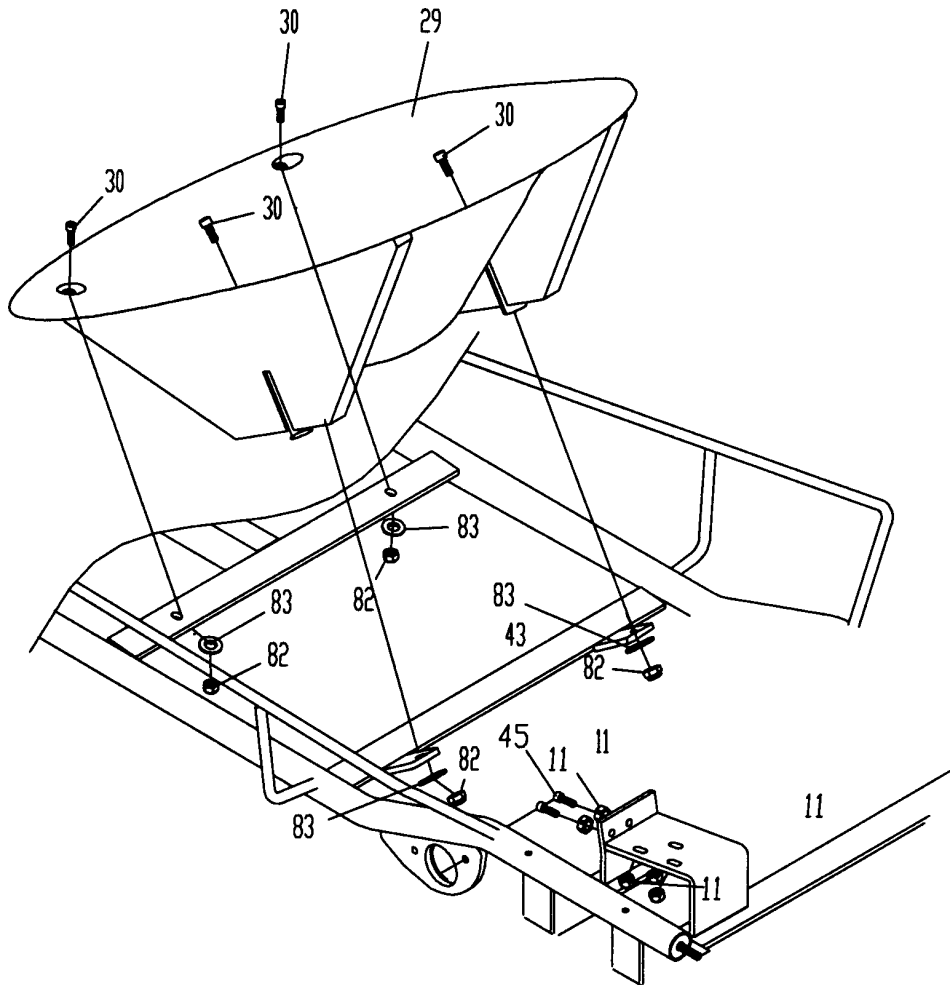
ITEM	PART NUMBER	DESCRIPTION	QTY	COMMENTS
2-6	70029	HANDLEBAR STEM	1	
2-7-1	70030	HEAD BEARING KIT	1	
2-8	70038	STEERING STEM	1	
2-9	31563	BOLT,M6xP1.0x20	1	
2-10	70039	TIE ROD END	1	
2-11	30936	NUT,M6xP1.0	3	
2-12	70040	TIE ROD,SHORT	1	



ITEM	PART NUMBER	DESCRIPTION	QTY	COMMENTS
3-10	70039	TIE ROD END	3	
3-11	30936	NUT,M6xP1.0	7	
3-13	70041	TIE ROD,LONG	1	
3-14	70042	SPACER,T-1174	3	
3-15	70043	WHEEL MOUNT,RIGHT	1	
3-16	70044	BOLT,K-292	2	
3-18	70045	WASHER	2	
3-19	70046	NUT	2	
3-20	70047	WHEEL BEARING,FRONT,TPK	4	
3-21	70048	SPACER,T-1172	2	
3-22	31795	FRONT WHEEL SET,STOCK	1	NOTE: Wheel bearings not included
3-23	70050	WASHER	2	
3-69	70069	WHEEL MOUNT,LEFT	1	
3-72	30936	NUT,M6xP1.0	2	
3-89	31468	BOLT,M6xP1.0x25	2	
3-90	31428	BOLT,M6xP1.0x30	2	

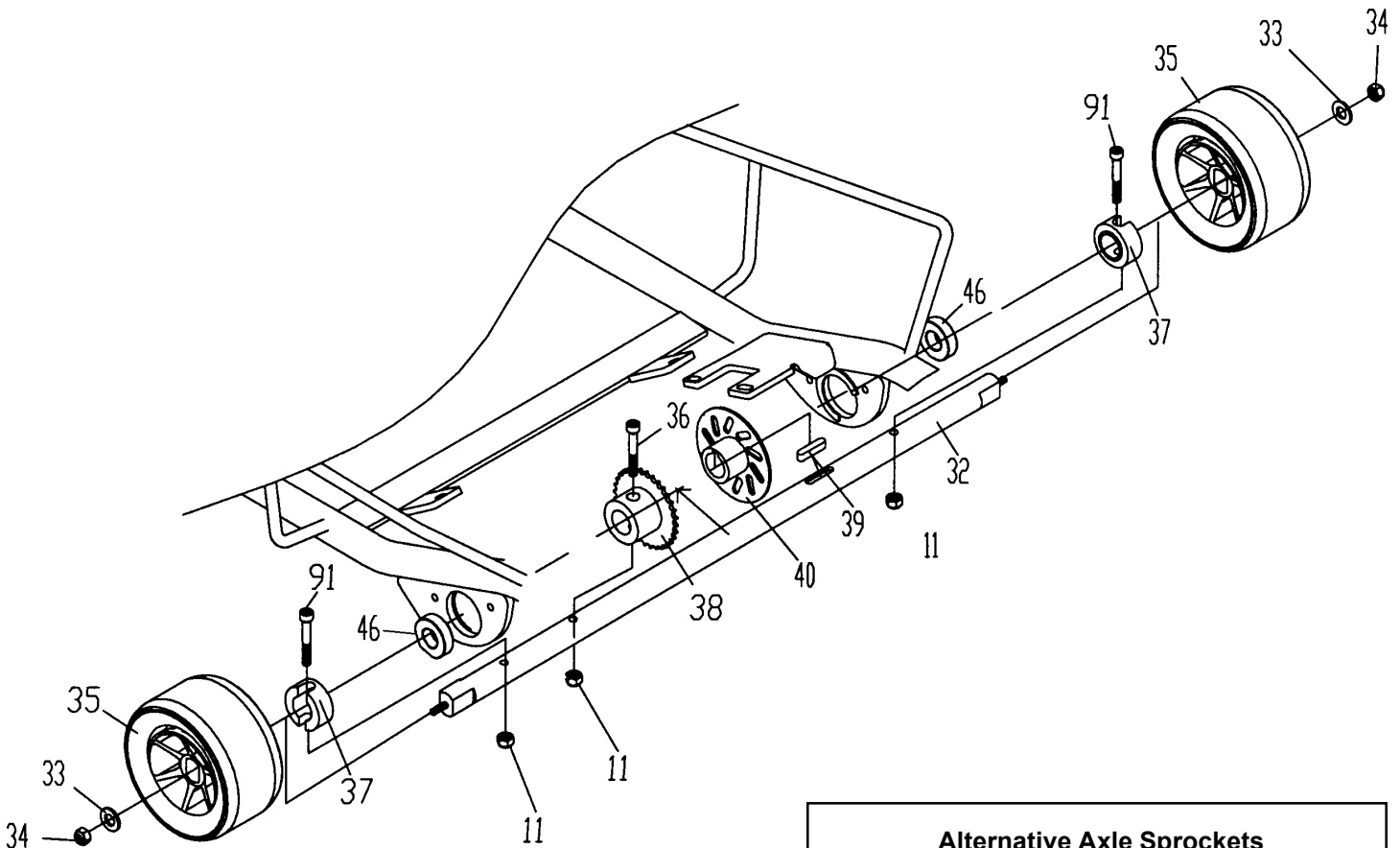


ITEM	PART NUMBER	DESCRIPTION	QTY	COMMENTS
4-11	30936	NUT, M6xP1.0	2	
4-23	70050	WASHER	2	
4-24	30830	WASHER, SPRING M6	2	
4-41	70065	BRAKE CALIPER ASSY	1	Includes brake pads
4-42	31150	BOLT, M6xP1.0x35, RD HD	2	
4-43	31212	SPACER, T-849	2	
4-46	70067	WHEEL BEARING, REAR, TPK	2	
4-47	70090	BRAKE PAD SET	1	



ITEM	PART NUMBER	DESCRIPTION	QTY	COMMENTS
5-11	30936	NUT,M6xP1.0	4	
5-29	70054	KART SEAT	1	
5-30	31468	BOLT,M6xP1.0x25	4	
5-43	31212	SPACER,T-849	1	
5-45	31563	BOLT,M6xP1.0x20	2	
5-82	30936	NUT,M6xP1.0	4	
5-83	70076	WASHER	4	

REAR AXLE, REAR WHEELS, BRAKE ROTOR & AXLE SPROCKET • FIGURE 6



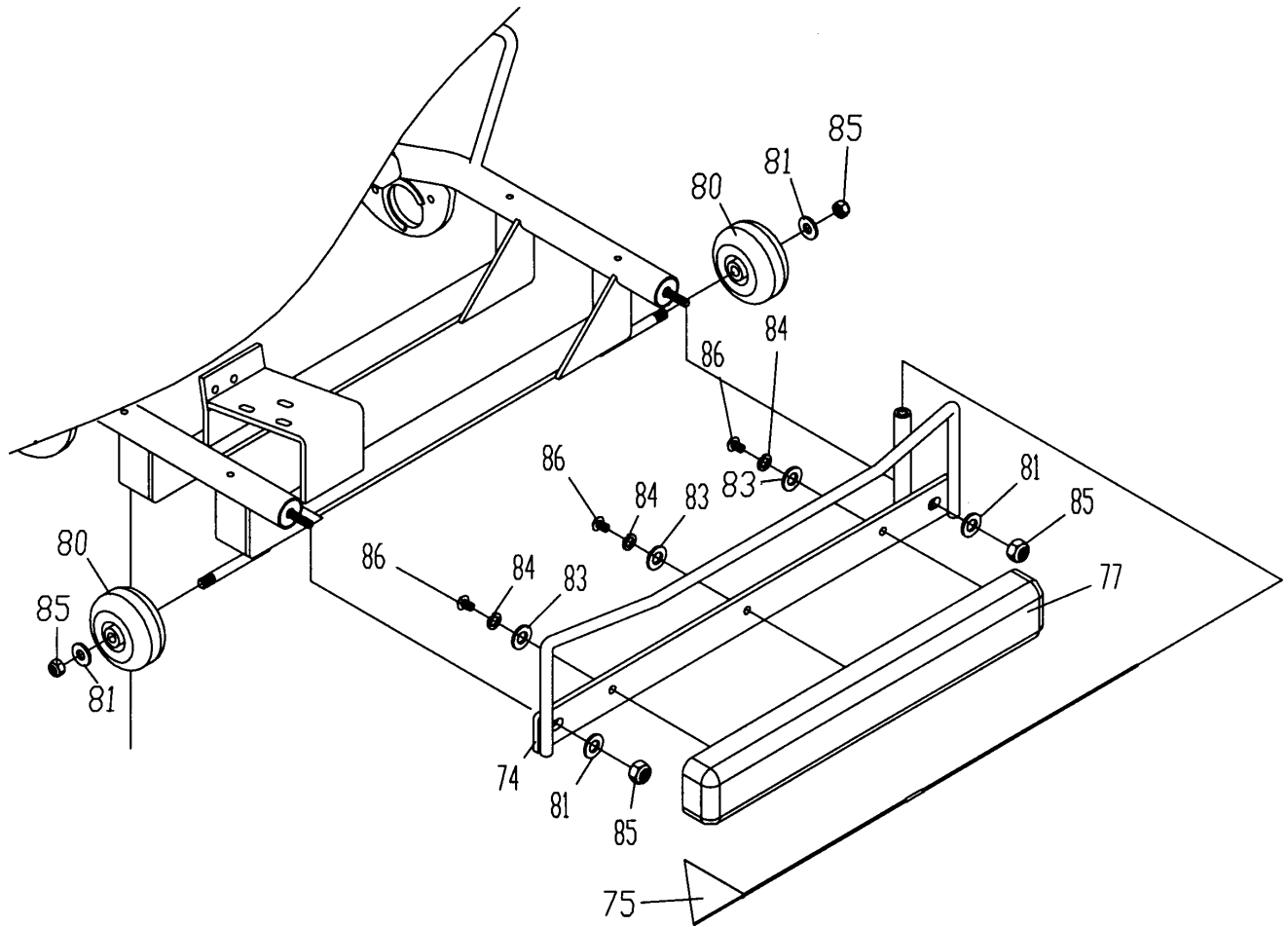
Alternative Axle Sprockets

32085 AXLE SPROCKET,31TH (-1)

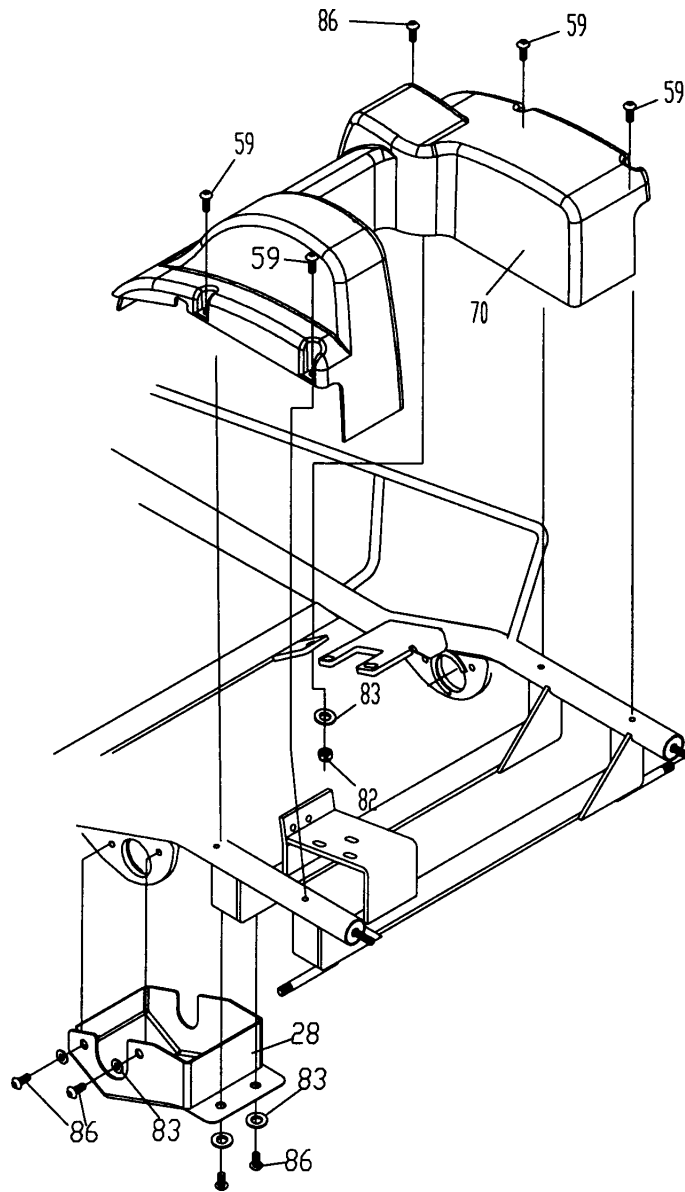
32087 AXLE SPROCKET,33TH (+1)



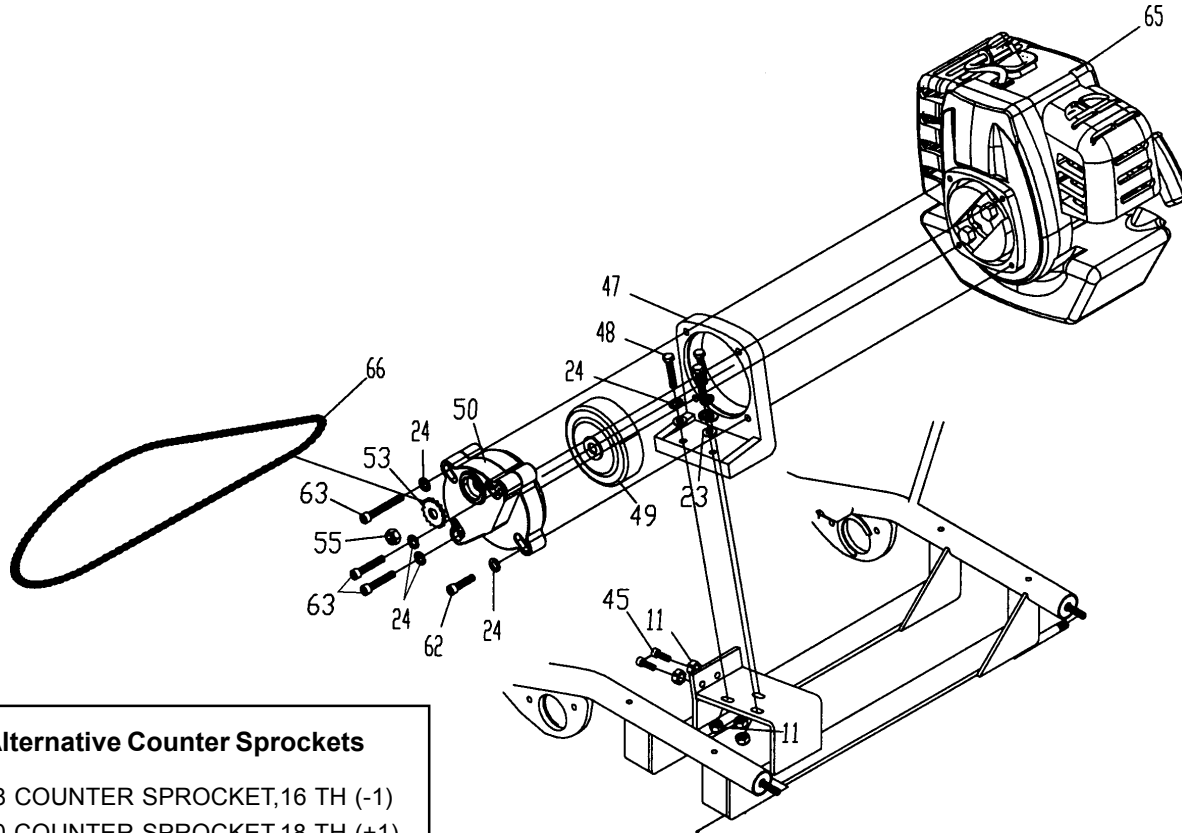
ITEM	PART NUMBER	DESCRIPTION	QTY	COMMENTS
6-11	30936	NUT,M6xP1.0	3	
6-32	70056	AXLE,REAR WHEEL	1	
6-33	70057	WASHER	2	
6-34	70058	NUT	2	
6-35	31796	REAR WHEEL SET,STOCK	1	
6-36	70060	BOLT,K-295	1	
6-37	70061	SPACER,T-1139	2	
6-38	32086	AXLE SPROCKET,32	1	
6-39	70063	KEY,6x6x28	1	
6-40	70064	BRAKE ROTOR	1	
6-46	70067	WHEEL BEARING,REAR,TPK	2	
6-91	70077	BOLT,K-289A	2	



ITEM	PART NUMBER	DESCRIPTION	QTY	COMMENTS
7-74	70071	REAR BUMPER	1	
7-75	70072	FLAG,G01-002	1	
7-77	70073	BUMPER CUSHION	1	
7-80	70074	ROLLER WHEEL	2	
7-81	70075	WASHER	4	
7-83	70076	WASHER	3	
7-84	30830	WASHER,SPRING M6	3	
7-85	30821	NUT,M8xP1.25	4	
7-86	31566	BOLT,M6xP1.0x15	3	



ITEM	PART NUMBER	DESCRIPTION	QTY	COMMENTS
8-28	70053	SPROCKET COVER	1	
8-59	31097	BOLT, M6xP1.0x10	4	
8-70	70070	ENGINE COVER	1	
8-82	30936	NUT, M6xP1.0	1	
8-83	70076	WASHER	5	
8-86	31566	BOLT, M6xP1.0x15	5	



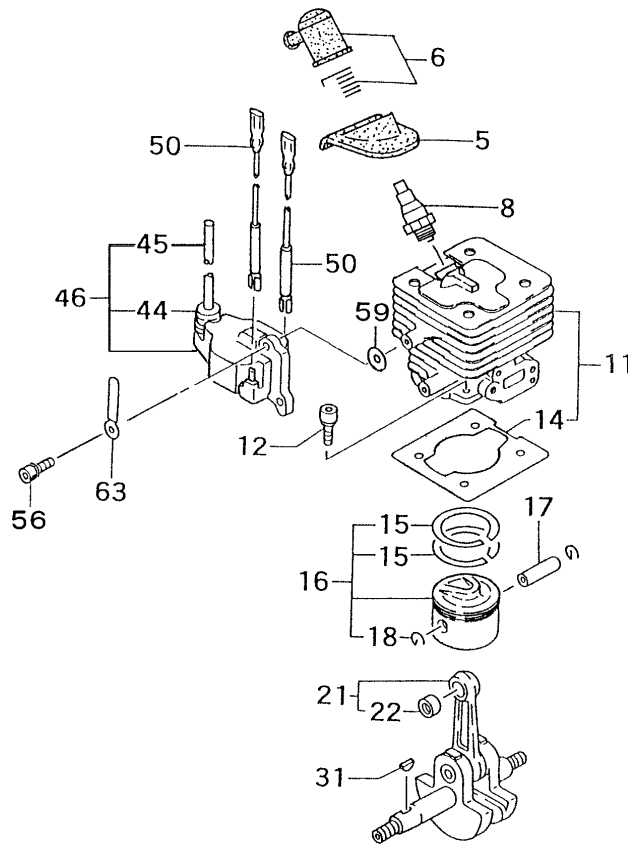
Alternative Counter Sprockets

32088 COUNTER SPROCKET, 16 TH (-1)
 32090 COUNTER SPROCKET, 18 TH (+1)

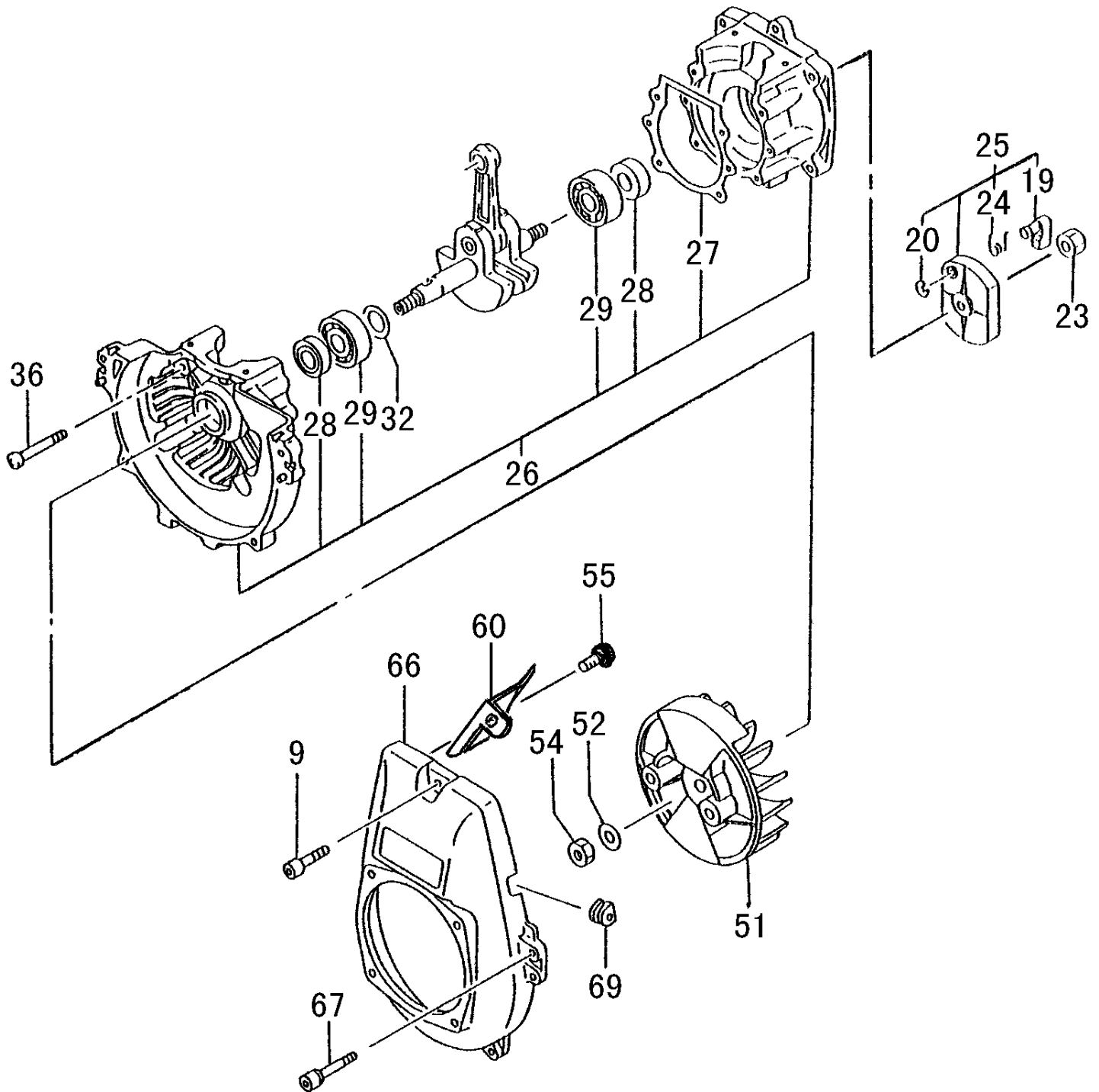


ITEM	PART NUMBER	DESCRIPTION	QTY	COMMENTS
9-11	30936	NUT, M6xP1.0	5	
9-23	31197	WASHER	3	
9-24	30830	WASHER, SPRING M6	7	
9-45	70081	BOLT	2	
9-47	70082	HOUSING, ENGINE MOUNTING	1	
9-48	70083	BOLT, M6xP1.0x30	3	
9-49	30836	DRUM, CLUTCH	1	
9-50	70084	GEAR BOX	1	
9-53	32089	COUNTER SPROCKET, 17	1	
9-55	30821	NUT, M8xP1.25	1	
9-62	70086	BOLT	1	
9-63	70087	BOLT	3	
9-65	PF-3300	PureFire Engine, 33cc	1	
9-65	TC-355	Engine, 35cc	1	
9-65	PF-4000	PureFire Engine, 40cc	1	
9-65	TC-4700	Engine, 47cc	1	
9-66	32200	CHAIN, TPK	1	
9-66	32228	CHAIN, 10FT BOX, TPK	Opt	Includes master links. Makes 5 loops
9-66	32229	CHAIN, 100FT ROLL, TPK	Opt	

CYLINDER, PISTON, IGNITION • FIGURE 1



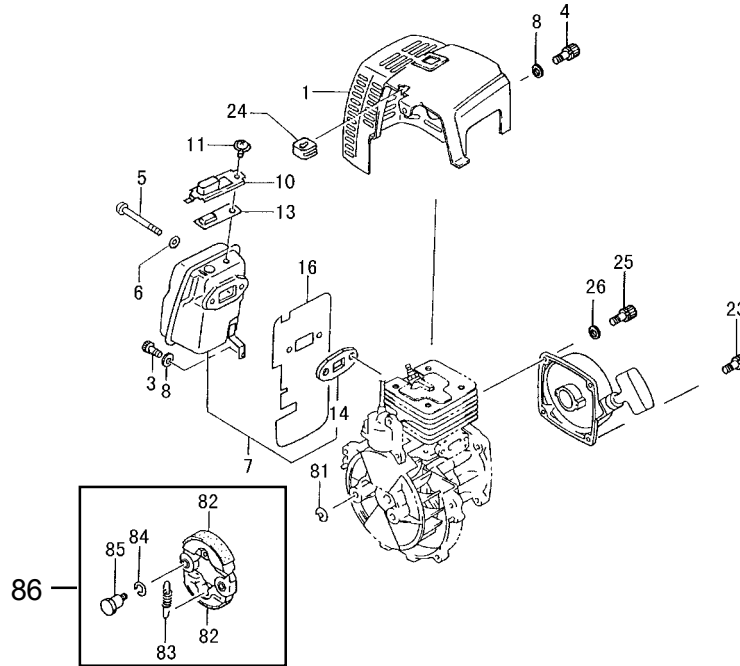
ITEM	PART NUMBER	DESCRIPTION	QTY	COMMENTS
1-5	25504200200	COVER, SPARK PLUG, RUBBER	1	
1-6	15711666900	CAP, SPARK PLUG ASS'Y	1	
1-8	01804075200	PLUG, SPARK	1	
1-11	0010440590	SET, CYLINDER	1	
1-12	99461050204	BOLT, HEX, HOLE, 5X20, S	4	
1-14	0170440020	GASKET, CYLINDER	1	
1-15	04104050200	RING, PISTON	2	
1-16	0300440090	SET, PISTON	1	
1-17	0370100020	PIN, PISTON	1	
1-18	03905004200	CIRCLIP, PISTON PIN	2	
1-21	0460440080	CRANKSHAFT	1	
1-22	99962101004	BEARING, NEEDLE, F1010B	1	
1-31	06802000200	KEY, WOODRUFF, 3X13X5	1	
1-44	56020517200	CAP, RUBBER	1	
1-45	1782054320	CORD, HIGH TENSION	1	
1-46	1672054390	ASSY, IGNITION COIL	1	
1-50	1790007080	STOP CORD, 220MM	2	
1-56	99011040182	SCREW, 4X18	2	Before S/N U112140
1-56	99416040183	SCREW 4X18/WS	2	S/N U112141 and after
1-59	1820186A201	WASHER, SPECIAL	2	
1-63	19805015800	CLAMP, CORD	1	



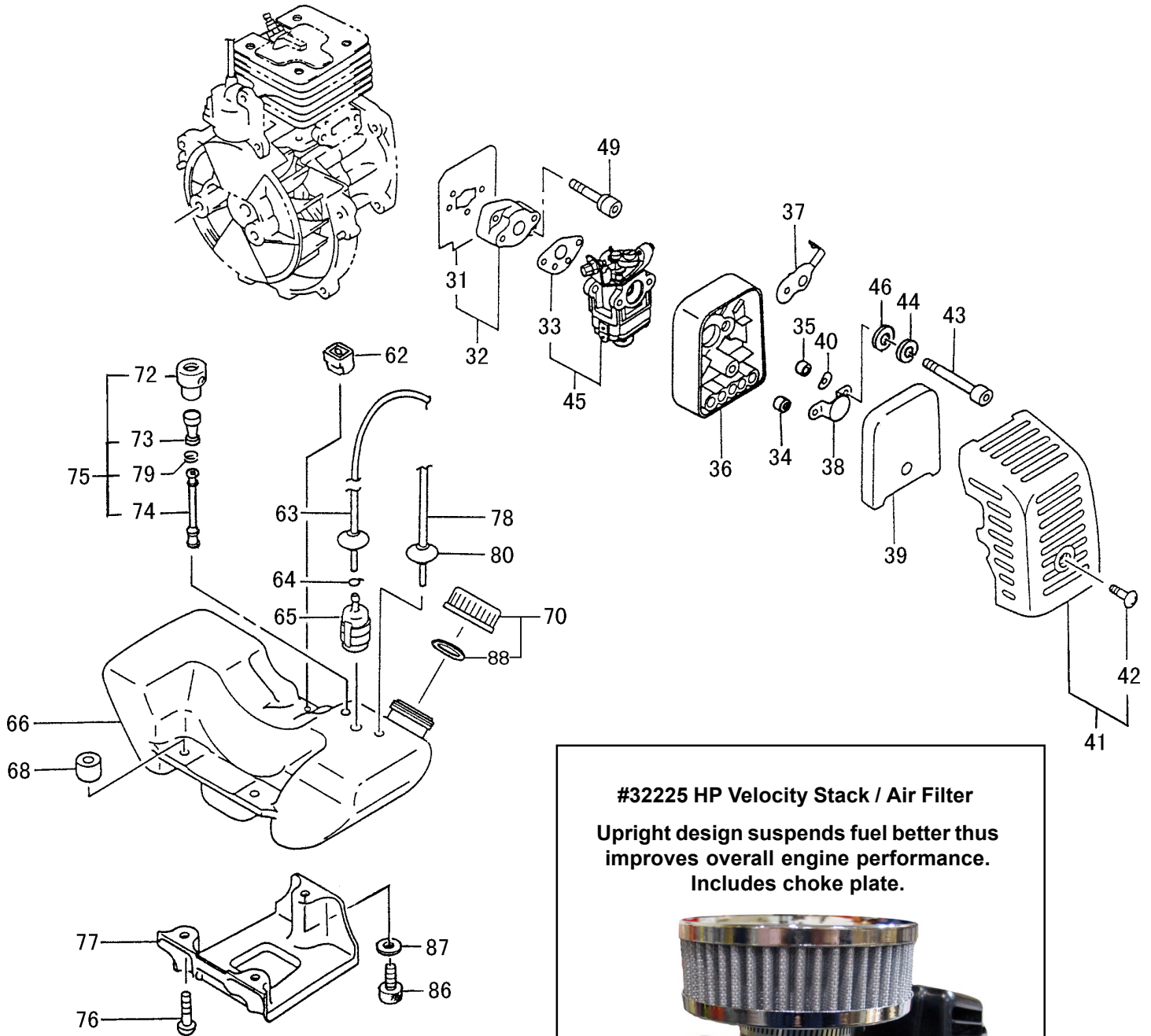
CRANKCASE, FLYWHEEL, STARTER PULLEY • FIGURE 2

ITEM	PART NUMBER	DESCRIPTION	QTY	COMMENTS
2-9	99463050204	BOLT, HEX 5X20	1	
2-19	7880162V20	PAWL, STARTER	1	
2-20	99355050000	RING, STOP, 5	1	
2-23	99111100013	NUT, 10	1	
2-24	7900162V200	SPRING, PAWL, STARTER	1	
2-25	7980422090	PAWL, STARTER ASS'Y	1	
2-26	0720440090	CASE, CRANK	1	Before S/N U207704
2-26	0720440091	CASE, CRANK	1	S/N U207705 and after
2-27	0900440020	GASKET, CRANKCASE	1	*Crankcase assy includes bearings, seals and gaskets.
2-28	99966152511	SEAL, OIL, #VE 15X25X7	2	
2-29	99961620200	BEARING, BALL, #6202	2	
2-32	07102007200	SHIM, 15.2X20X.05	V	*Shims are "as needed" to obtain
2-32	07102007210	SHIM, 15.2X20X.10	V	correct side clearance
2-32	07102007220	SHIM, 15.2X20X.15	V	
2-32	07111600230	SHIM, 16X21X.20	V	
2-32	07111600240	SHIM, 16X21X.30	V	
2-36	99461050304	BOLT, HEX, 5X30S	4	
2-51	1552053880	ROTOR, MAGNETO	1	
2-52	99201100011	WASHER, 10	1	
2-54	99101100011	NUT, 10	1	
2-55	99414050101	SCREW, S, 5X10	1	
2-60	1320440020	DEFLECTOR, AIR	1	
2-66	1120440021	CASE, FAN (ORANGE)	1	
2-66	1120441321	CASE, FAN (POLISHED)	1	
2-67	99461050204	BOLT, HEX, HOLE, 5X20, S	4	
2-69	20311660200	GROMMET, PRIMARY CORD	1	

MUFFLER, MUFFLER COVER • FIGURE 3

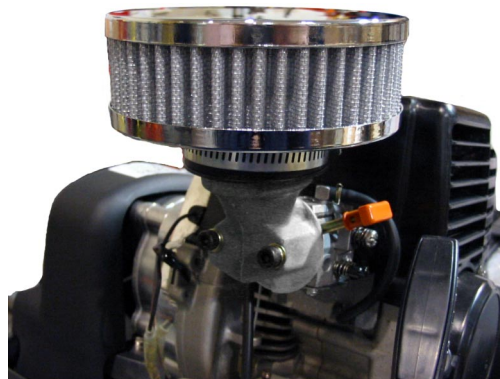


ITEM	PART NUMBER	DESCRIPTION	QTY	COMMENTS
3-1	7380440A21	PROTECTOR,MUFFLER	1	
3-3	99461050124	BOLT,HEX,5X12S	1	
3-4	99461050164	BOLT,HEX,5X16,S	1	Before S/N U207704
3-5	99053060653	SCREW,HEX,6X65	2	
3-6	99201060011	WASHER,6	2	
3-7	7040440090	SET,MUFFLER	1	
3-8	99201050061	WASHER,5	2	Before S/N U207704
3-8	99201050061	WASHER,5	1	S/N U207705 and after
3-10	7210440020	PIPE,TAIL	1	
3-11	99434040081	SCREW,4X8/S	1	
3-13	7320440020	ARRESTER,SPARK	1	
3-14	73704230200	GASKET,MUFFLER	1	
3-16	1330440020	SHIELD,HEAT	1	
3-23	99463050204	BOLT, HEX 5X20	4	Before S/N U207704
3-23	99463050204	BOLT, HEX 5X20	2	S/N U207705 and after
3-24	2030604A202	GROMMET	1	
3-25	99461050254	BOLT,HEX HOLE,5X25S	2	S/N U207705 and after
3-26	99201050061	WASHER,5	2	S/N U207705 and after
3-81	35910112203	WASHER,CLUTCH B	2	
3-82	2900420081	SHOE,CLUTCH	2	
3-83	34204200200	SPRING,CLUTCH	1	
3-84	99204100030	WASHER,WAVE,10	2	
3-85	35704201200	BOLT,CLUTCH STEP	2	
3-86	30790	CLUTCH ASS'Y	1	
N/A	32014	SPRING,POWER PIPE,SHORT	1	Power pipe hardware, not shown
N/A	32015	SPRING,POWER PIPE,LONG	2	Power pipe hardware, not shown
N/A	32016	SPACER,POWER PIPE	2	Power pipe hardware, not shown
N/A	32017	SCREW,POWER PIPE	4	Power pipe hardware, not shown
N/A	32018	WASHER,POWER PIPE	4	Power pipe hardware, not shown



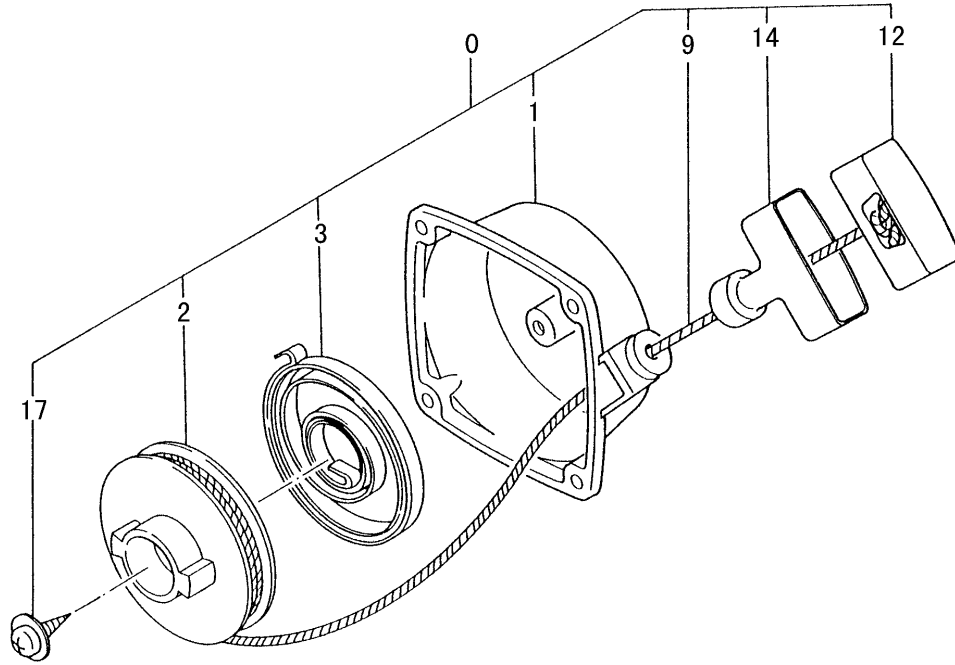
#32225 HP Velocity Stack / Air Filter

Upright design suspends fuel better thus improves overall engine performance. Includes choke plate.



Shown on TC-47 engine.

ITEM	PART NUMBER	DESCRIPTION	QTY	COMMENTS
4-31	4030430020	GASKET,INLET MANIFOLD	1	
4-32	4040430090	SET,CARB INSULATOR	1	
4-33	4020430020	GASKET,CARBURETOR	1	
4-34	4530637C200	COLLAR	1	
4-35	4700138020	COLLAR,CLEANER	1	
4-36	4230138082	BODY,CLEANER	1	
4-37	5280138021	VALVE,CHOKE	1	
4-38	47601700200	BOARD,BLOW OVER CHECK	1	
4-39	4460138020	ELEMENT,CLEANER	1	
4-40	99204080030	WASHER,8	1	
4-41	4520138091	COVER,CLEANER,ASSY	1	
4-42	3800637C200	BOLT,CLEANER COVER	1	
4-43	99011050602	SCREW,5X60	2	
4-44	99210050012	WASHER,S,5	2	
4-45	4550440090	CARBURETOR	1	
4-46	78600601200	WASHER,RECOIL STARTER	2	
4-49	99416050253	BOLT,HEX HOLE,5X25WS	2	
4-62	6490168020	COLLAR,TANK FIXING	1	S/N U207705 and after
4-63	22301251901	PIPE,FUEL,3X5X230	1	
4-64	68000731201	CLIP 6.3	1	
4-65	67501630900	FILTER,FUEL	1	
4-66	5910440021	TANK,FUEL (ORANGE)	1	
4-66	5910441321	TANK,FUEL (WHITE)	1	
4-68	6590430020	COLLAR C	3	
4-70	5950656B90	CAP,FUEL BLACK,NON VENT	1	
4-73	6463252L90	AIR VENT VALVE ASSY	1	
4-74	5650440020	PIPE,AIR VENT	1	
4-75	5640661190	VENT,AIR ASSY	1	
4-76	99463050204	BOLT, HEX 5X20	3	Before S/N U207704
4-76	99463050204	BOLT, HEX 5X20	2	S/N U207705 and after
4-77	9400430020	STAND,ENGINE	1	
4-78	70003005100	PIPE,FUEL,3X5X100	1	
4-79	68000206200	CLIP,5.5	1	
4-80	22206300200	GROMMET,FUEL PIPE	1	
4-86	99461050304	BOLT,HEX,5X30S	1	S/N U207705 and after
4-87	99201050061	WASHER,5	1	S/N U207705 and after
4-88	6420608A200	GASKET,TANK CAP	1	

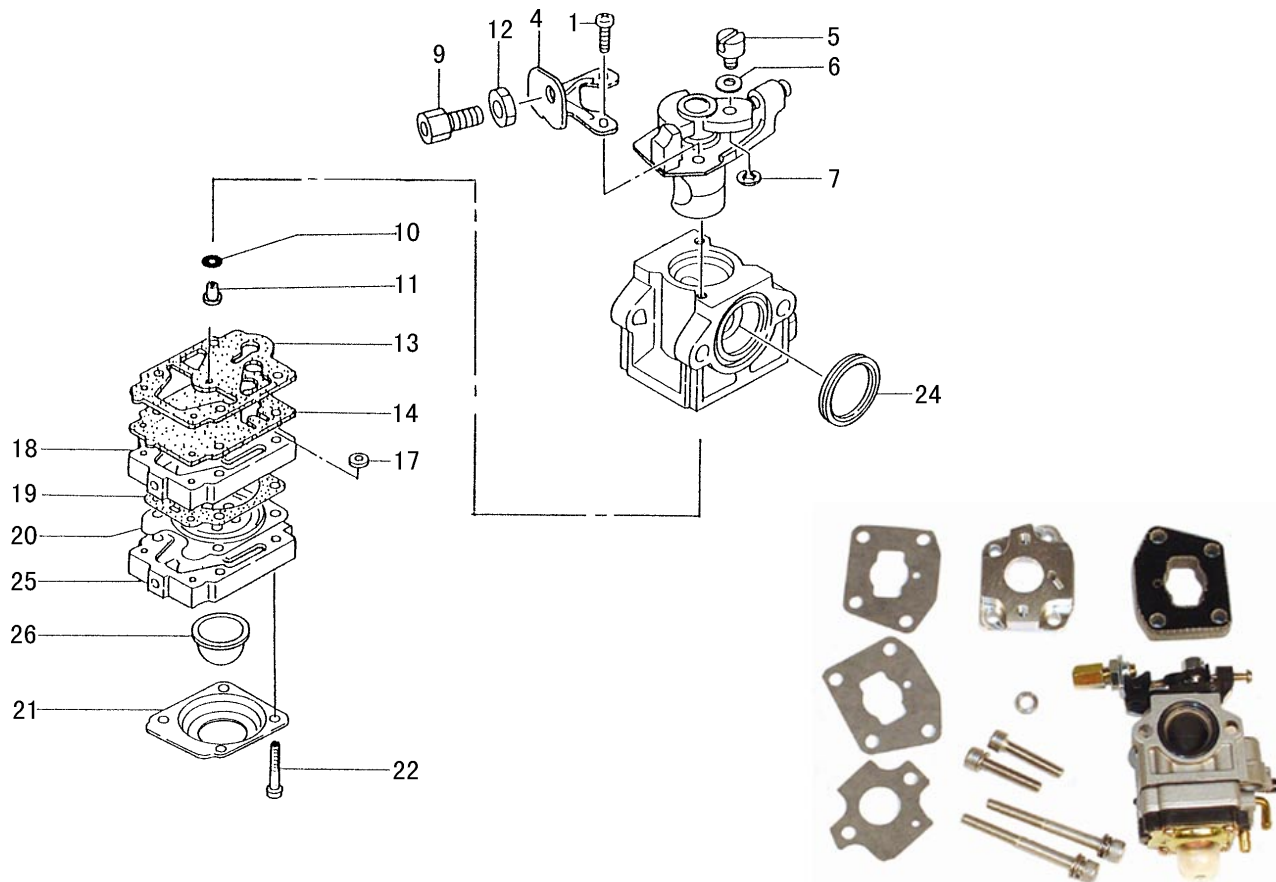


Billet Starter Handles

Part#: **Blue** - 31352 / **Black** - 31358

Polished - 31357 / **Red** - 31356

ITEM	PART NUMBER	DESCRIPTION	QTY	COMMENTS
5-0	7620422090	STARTER,RECOIL ASS'Y	1	
5-1	7720422080	BODY,RECOIL STARTER	1	
5-2	7690422020	REEL,STARTER ROPE	1	
5-3	7790422020	SPRING,RECOIL	1	
5-9	7830422020	ROPE,STARTER	1	
5-12	8350422020	CAP,HANDLE	1	
5-14	7850422020	HANDLE,STARTER	1	
5-17	8390422020	SCREW,SET	1	



40cc HP Carburetor Kit
Part#: 31283

ITEM	PART NUMBER	DESCRIPTION	QTY	COMMENTS
6-0	4550440090	SET,CARBURETOR	1	Includes carburetor gasket
6-1	51425100200	SCREW,THROTTLE SET	2	
6-4	54425164200	STAY,ADJUST,CABLE	1	
6-5	53925120200	SWIVEL	1	
6-6	5492516520	WASHER,THRUST	1	~ Contained in Carb Repair Kit
6-7	48925100200	RING,STOP	1	P/N 650-25124-900
6-9	61425137200	ADJUSTER,CABLE	1	(Not available individually)
6-10	55025100200	O-RING	1	
6-11	5992001W44	JET,MAIN,LONG,#44	1	
6-12	99101060013	NUT,6	1	
6-13	~ ~ ~	GASKET,PUMP	1	
6-14	~ ~ ~	DIAPHRAGM,PUMP	1	
6-17	57825007200	SCREEN,INLET	1	
6-18	5752515380	BODY,PUMP	1	
6-19	~ ~ ~	GASKET,DIAPHRAGM	1	
6-20	~ ~ ~	DIAPHRAGM,METERING	1	
6-21	4762515120	COVER,DIAPHRAGM	1	
6-22	5482515120	SCREW,SET	4	
6-24	4310634C200	GASKET,CLEANER	1	
6-25	4422515180	PUMP,PRIMING	1	
6-26	44725108200	BULB,PRIMING	1	