

# **Tanaka** Illustrated Parts Manual

Model Number:

**TPE-250PF**

**PORTABLE EDGER**

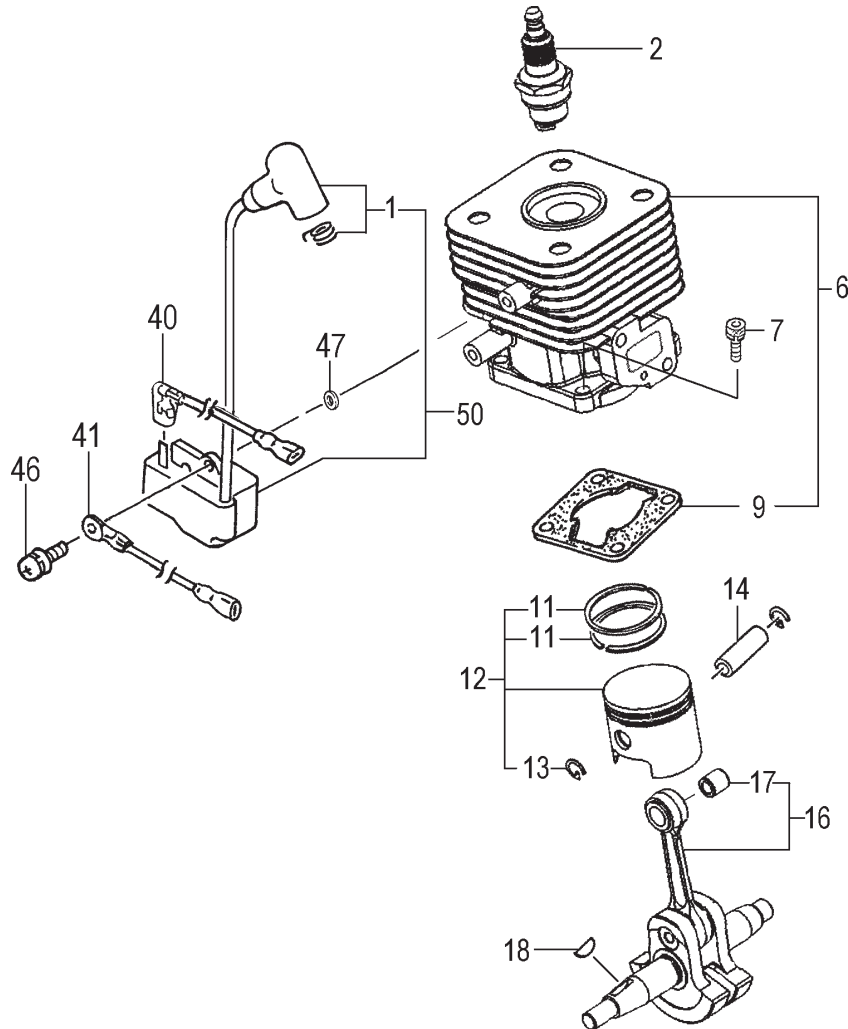
P/N 30774

Rev 000

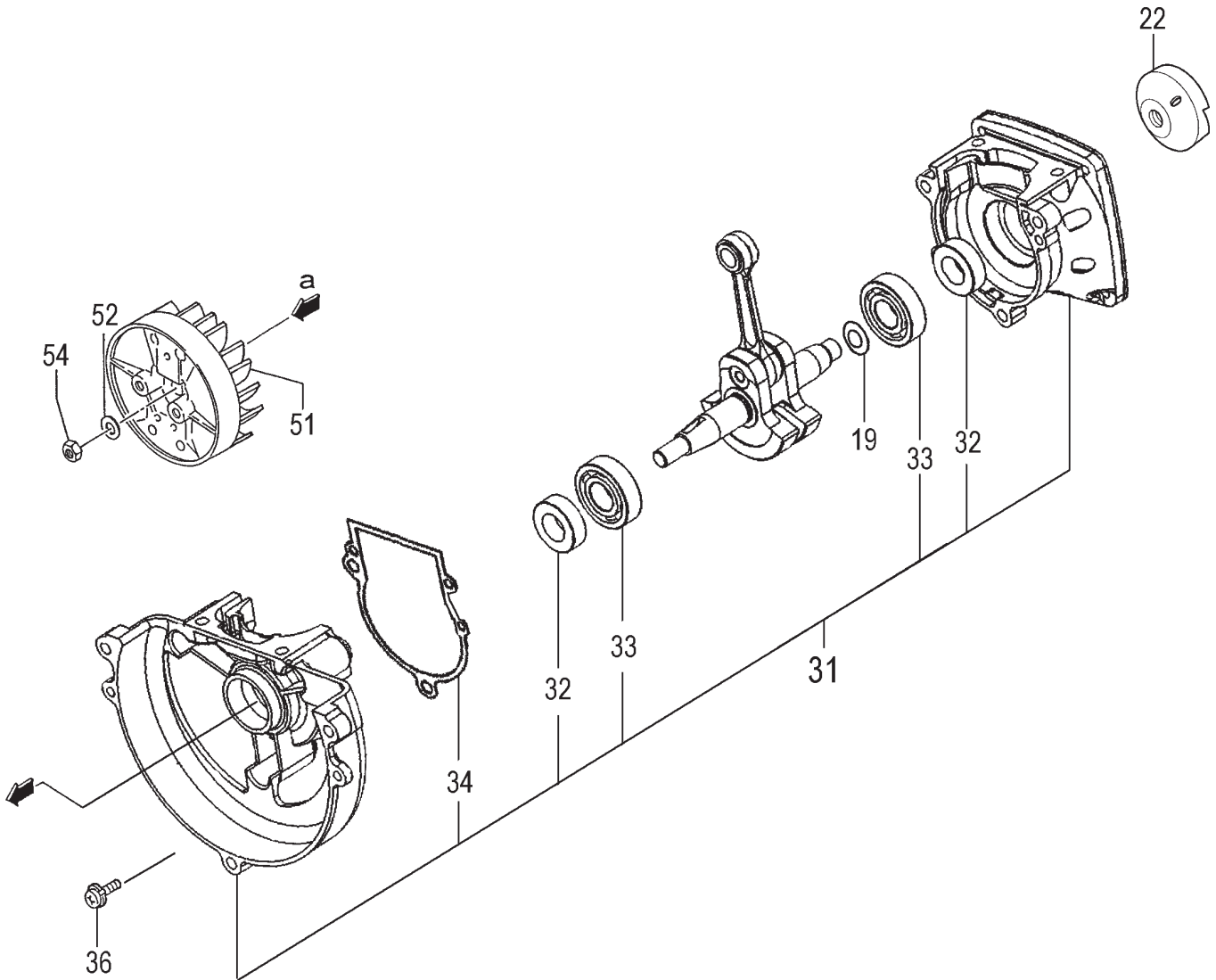
Date 5-7-07



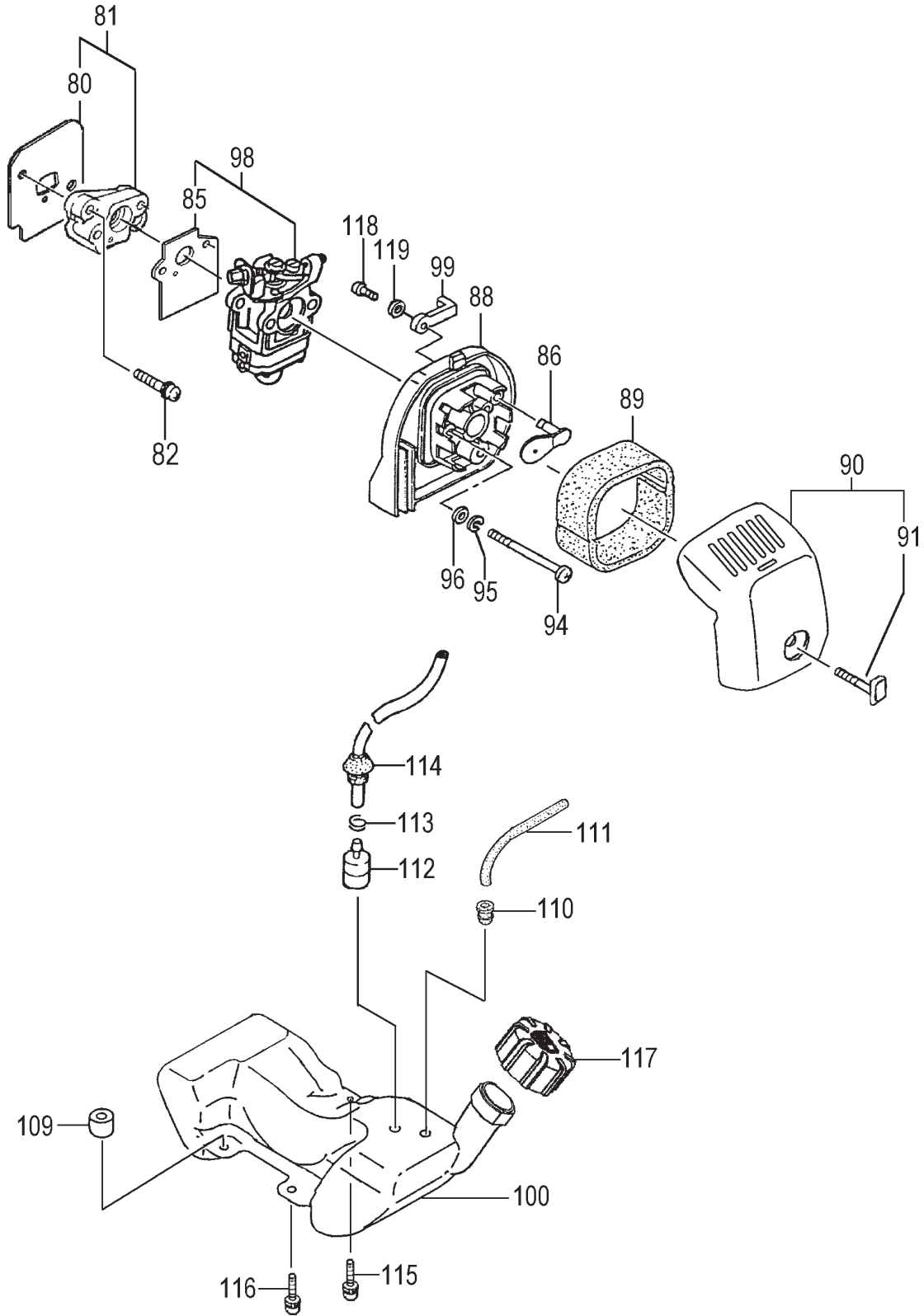
Nikko Tanaka Engineering U.S.A.,Ltd. • 1028 4<sup>th</sup> Street SW, Bldg B • Auburn, WA 98001 • Phone: (253) 333-1200 • Fax: (253) 333-1212



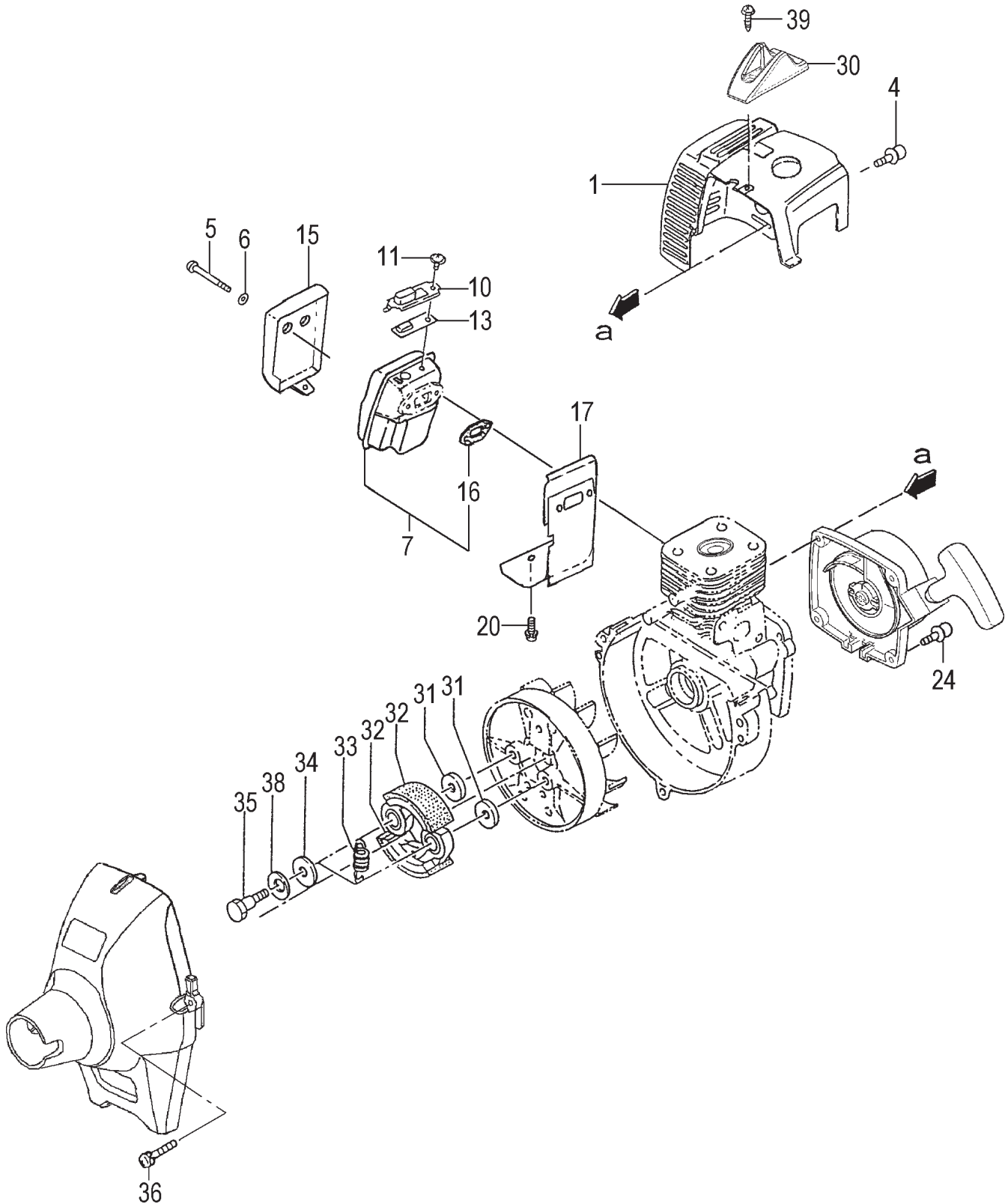
ITEM	PART NUMBER	DESCRIPTION	QTY	COMMENTS
1-1	1570168090	CAP, SPARK PLUG ASS'Y	1	
1-2	0181161021	PLUG, SPARK	1	
1-6	0010304590	CYLINDER, SET	1	Includes cylinder gasket
1-7	99461050184	BOLT, HEX, 5X18, S	1	
1-9	0170300221	GASKET, CYLINDER	1	
1-11	04101601200	RING, PISTON	2	
1-12	0300704590	PISTON SET	1	Includes rings & circlips
1-13	03901620200	CIRCLIP, PISTON PIN	2	
1-14	0370704520	PIN, PISTON	1	
1-16	0460304580	CRANKSHAFT	1	
1-17	99962081225	BEARING, NEEDLE, F-810	1	
1-18	06810100200	KEY, WOODRUFF, 3X13X4.5	1	
1-40	1780168080	CORD, STOP	1	
1-41	2740168080	CORD, EARTH	1	
1-46	99464040184	BOLT, HEX, 4X18WS	2	
1-47	1820186A201	WASHER, SPECIAL	2	
1-50	1672101090	COIL, IGNITION	1	



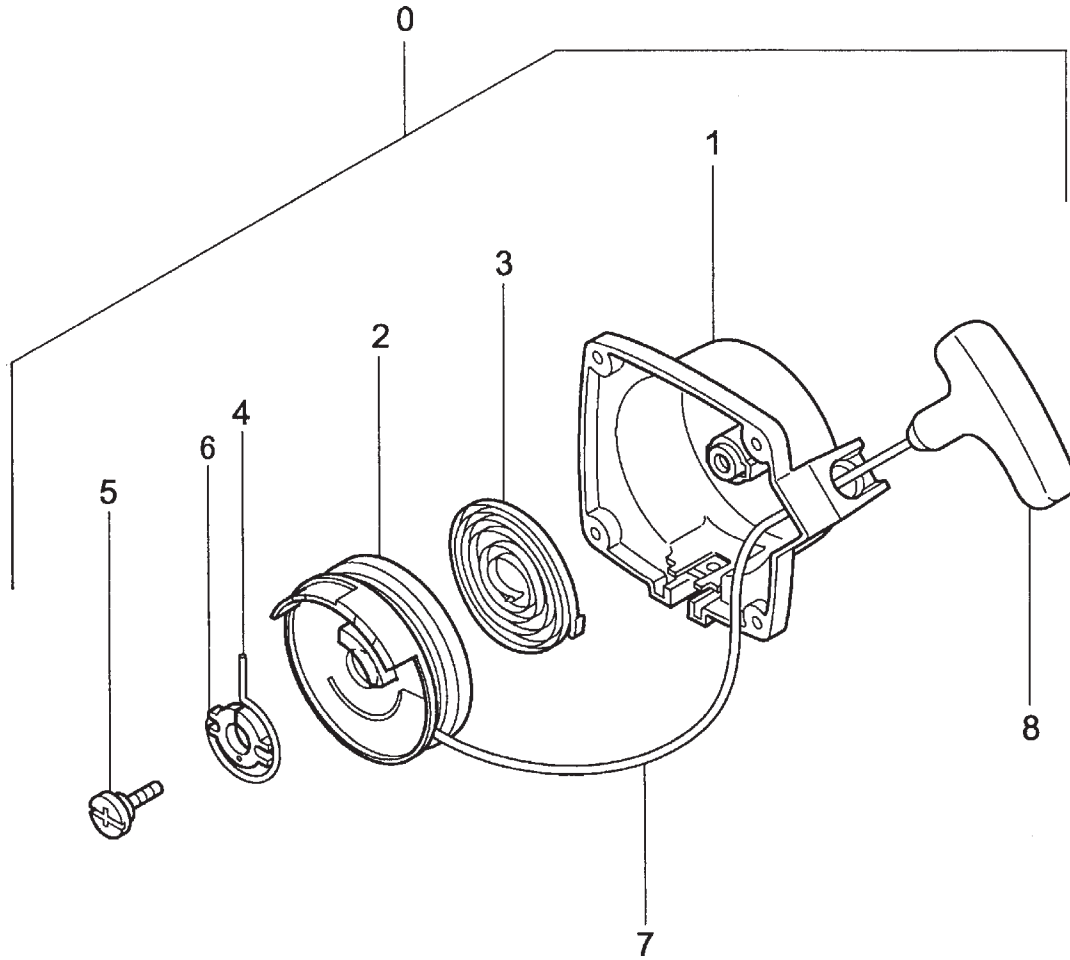
ITEM	PART NUMBER	DESCRIPTION	QTY	COMMENTS
2-19	33000200210	SHIM,12.2X19X.10	1	Shims are "as needed" to obtain correct side clearance
2-19	33000200220	SHIM,12.2X19X.15	1	
2-19	33000200230	SHIM,12.2X19X.20	1	
2-19	33000200240	SHIM,12.2X19X.30	1	
2-22	7980304520	PULLEY,STARTER	1	Crankcase ass'y includes bearings, oil seals and gasket
2-31	0720304590	CRANKCASE ASS'Y	1	
2-32	99966122240	SEAL,OIL,#12227	2	
2-33	99961600100	BEARING,BALL,#6001	2	
2-34	0900304520	GASKET,CRANKCASE	1	
2-36	99461050164	BOLT,HEX,5X16,S	3	
2-51	1552174380	ROTOR,MAGNETO	1	
2-52	99201070011	WASHER,7	1	
2-54	06600000200	NUT,FLYWHEEL	1	



ITEM	PART NUMBER	DESCRIPTION	QTY	COMMENTS
3-80	4030702021	GASKET,INLET MANIFOLD	1	
3-81	4040702090	INSULATOR SET	1	
3-82	99416050241	SCREW 5x24WS	2	
3-85	4020656A200	GASKET	1	
3-86	5280652N21	VALVE,CHOKE	1	
3-88	4230652N80	BODY,AIR CLEANER	1	
3-89	4460652N20	CLEANER,ELEMENT	1	
3-90	4520304690	COVER,AIR CLEANER ASSY	1	
3-91	4500702480	BOLT,CLEANER COVER	1	
3-94	99011050552	SCREW,5X55	2	
3-95	99210050012	WASHER,S,5	2	
3-96	99200050011	WASHER,SMALL,5	2	
3-98	4550304590	CARBURETOR SET	1	Includes carburetor gasket
3-99	5230652N20	LEVER,CHOKE	1	
3-100	5910304520	TANK,FUEL	1	
3-109	65900801200	COLLAR	3	
3-110	53432710200	GROMMET,FUEL PIPE	1	
3-111	70003005065	PIPE,FUEL,3X5X65	1	
3-112	6750404280	FILTER,FUEL	1	
3-113	68000731201	CLIP 6.3	1	
3-114	2230162V900	PIPE,FUEL,ASS'Y	1	
3-115	99463050205	BOLT,HEX,5X20PS	1	
3-116	99463050204	BOLT, HEX 5X20	2	
3-117	5950300290	CAP,TANK (BLACK/RED)	1	
3-118	99075040154	SCREW,TAPPING,4X15	1	
3-119	99201040011	WASHER,4	1	

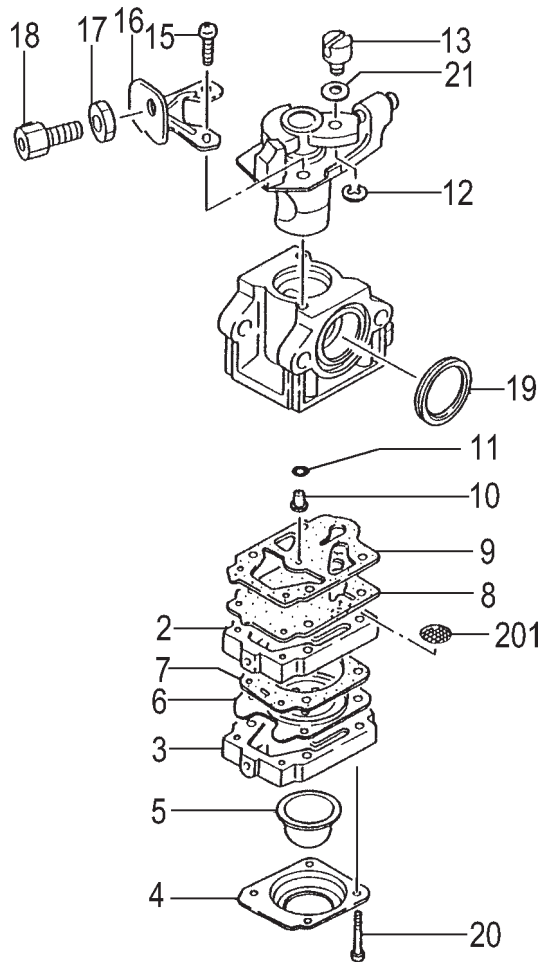


ITEM	PART NUMBER	DESCRIPTION	QTY	COMMENTS
4-1	7380304620	PROTECTOR,MUFFLER	1	
4-4	99415040182	SCREW,PS,4X18	2	
4-5	99053060553	SCREW,HEX.HOLE	2	
4-6	99201060011	WASHER,6	2	
4-7	7040304590	MUFFLER SET	1	
4-10	7210440020	PIPE,TAIL	1	
4-11	99436040081	SCREW,4X18WS	1	
4-13	7320440020	ARRESTER,SPARK	1	
4-15	7360304580	COVER,MUFFLER B	1	
4-16	7370168020	GASKET,MUFFLER	1	
4-17	7350304580	SHIELD,HEAT	1	
4-20	99415050101	SCREW,5X10/PS	2	
4-24	99415040182	SCREW,PS,4X18	2	
4-30	2570304520	PROTECTOR,SPARK PLUG	1	
4-31	35902103200	WASHER,CLUTCH,B	2	
4-32	29001620800	SHOE,CLUTCH	2	
4-33	3420630B200	SPRING,CLUTCH	1	
4-34	3480602R200	WASHER,CLUTCH A	2	
4-35	3570075T200	BOLT,STEP	2	
4-36	99415050202	SCREW,5X20/PS	3	
4-38	99205080030	WASHER,8	2	
4-39	99072045164	SCREW,TAPPING,4.5X16	1	

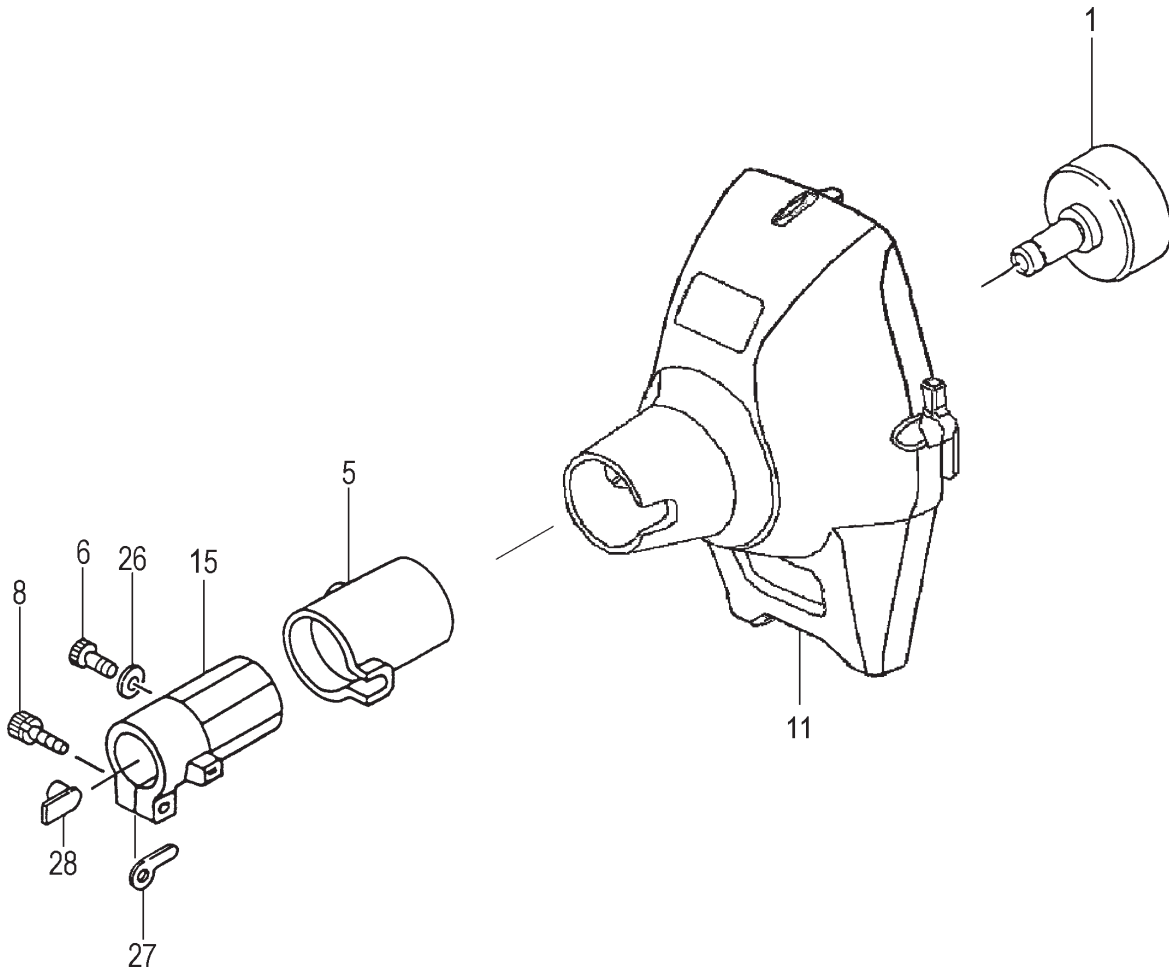


ITEM	PART NUMBER	DESCRIPTION	QTY	COMMENTS
5-0	7620304590	STARTER ASS'Y	1	
5-1	7720304580	BODY,STARTER	1	
5-2	7740304520	PULLEY,STARTER	1	
5-3	7790304520	SPRING,RECOIL	1	
5-4	7770304520	ARM,SWING	1	
5-5	8390304520	SCREW,SET	1	
5-6	7710304520	STAY,PULLEY	1	
5-7	7830304520	ROPE,STARTER	1	
5-8	7850304520	HANDLE,STARTER	1	

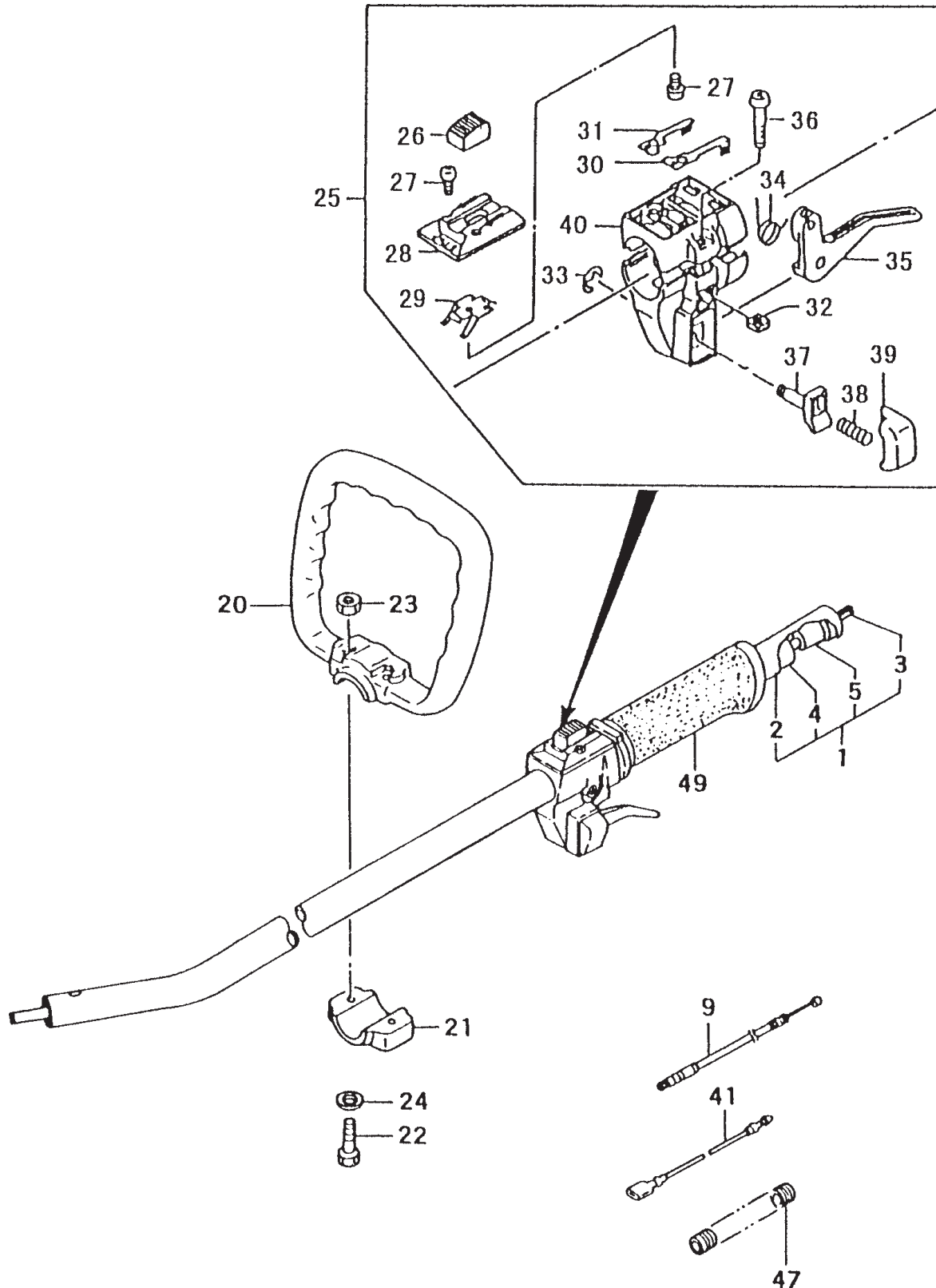




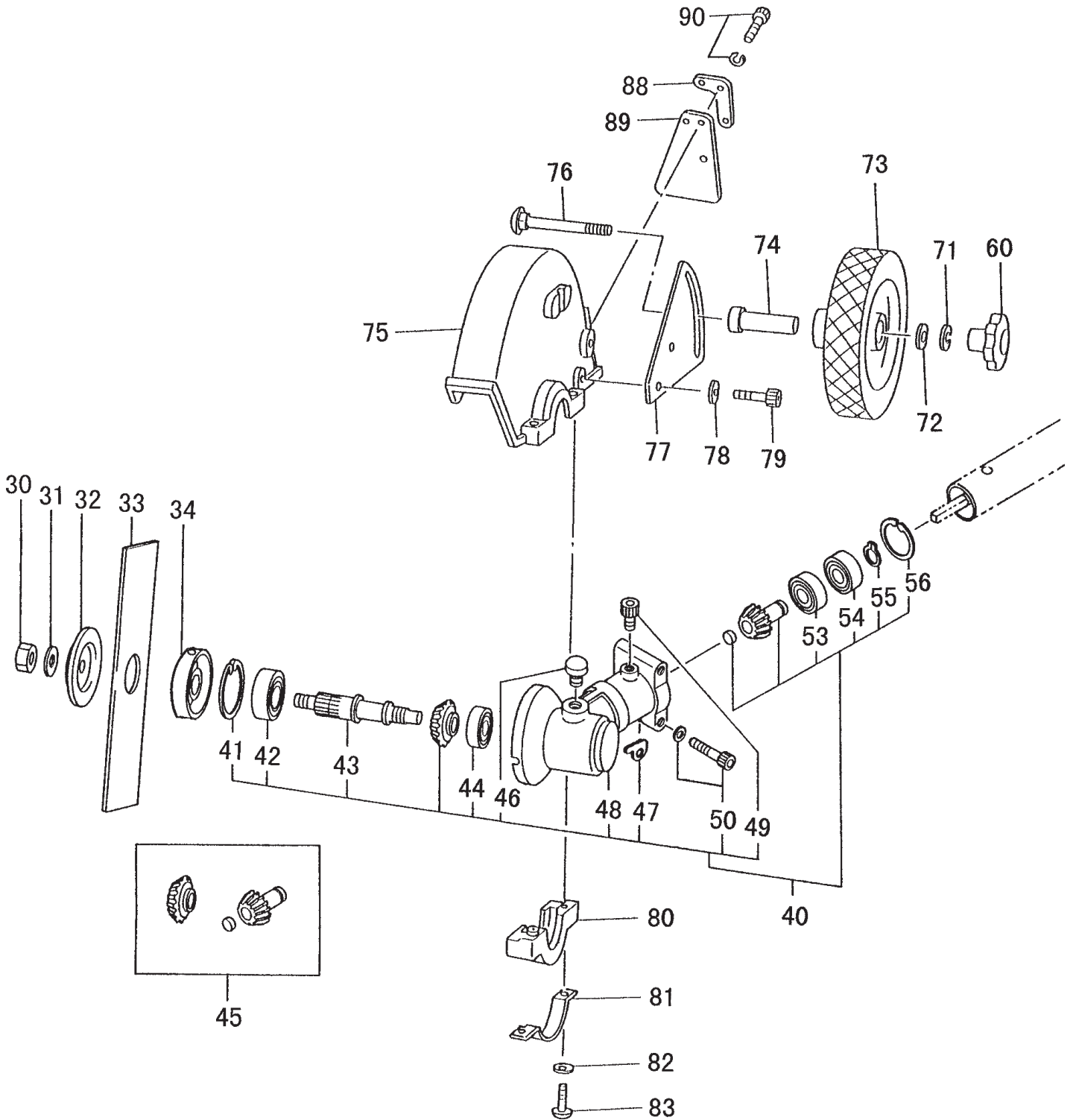
ITEM	PART NUMBER	DESCRIPTION	QTY	COMMENTS
	4550304590	CARBURETOR SET	1	Includes gasket
6-2	5752515380	BODY,PUMP	1	
6-3	4422515180	PUMP,PRIMING	1	
6-4	4762515120	COVER,DIAPHRAGM	1	
6-5	44725108200	BULB,PRIMING	1	
6-6	~ ~ ~	METERING DIAPHRAGM	1	~ Contained in Carb Repair Kit
6-7	~ ~ ~	GASKET,DIAPHRAGM	1	P/N 650-25124-900
6-8	~ ~ ~	DIAPHRAGM,PUMP	1	(not available individually)
6-9	~ ~ ~	GASKET,PUMP	1	
6-10	5992001W38	JET,MAIN LONG #38	1	
6-11	55025100200	O-RING	1	
6-12	48925100200	RING,STOP	1	
6-13	53925120200	SWIVEL	1	
6-15	51425100200	SCREW,THROTTLE SET	2	
6-16	54425164200	STAY,ADJUST,CABLE	1	
6-17	99101060013	NUT,6	1	
6-18	61425137200	ADJUSTER,CABLE	1	
6-19	4310634C200	GASKET,CLEANER	1	
6-20	5482515120	SCREW,SET	4	
6-21	5492516520	WASHER,THRUST	1	
6-201	57825007200	SCREEN,INLET	1	



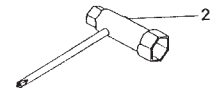
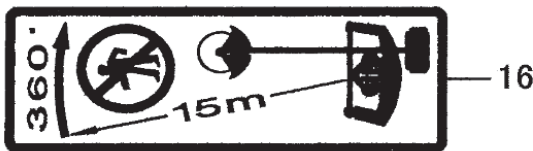
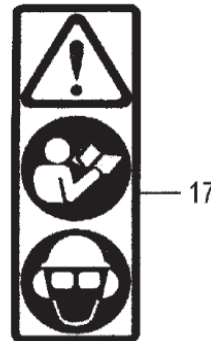
ITEM	PART NUMBER	DESCRIPTION	QTY	COMMENTS
7-1	2890706380	SHAFT,CLUTCH	1	
7-5	5990098021	CUSHION,RUBBER	1	
7-6	99051050163	BOLT,HEX,5X16	1	
7-8	99461050254	BOLT,HEX HOLE,5X25S	1	
7-11	1120304580	CASE,FAN	1	
7-15	3600099620	PIPE HOLDER,TPE	1	
7-26	99201050061	WASHER,5	1	
7-27	3243735020	WASHER,GEAR CASE	1	
7-28	3610099020	FITTING,METAL	1	



ITEM	PART NUMBER	DESCRIPTION	QTY	COMMENTS
8-1	3533729090	SET,DRIVE SHAFT PIPE	1	
8-2	3413729020	PIPE,DRIVE SHAFT	1	
8-3	3443729020	SHAFT,FLEXIBLE	1	
8-4	3503729020	LINER,FLEXIBLE	1	
8-5	3203729020	SPACER	1	
8-9	8853739480	WIRE,THROTTLE	1	
8-20	5003331620	HANDLE	1	
8-21	50633316200	BRACKET,HANDLE A	1	
8-22	99023060401	BOLT,P,6X40	2	
8-23	99101060011	NUT,6	2	
8-24	99201060011	WASHER,6	2	
8-25	8703728690	LEVER,THROTTLE ASS'Y	1	
8-26	1623710120	SWITCH,STOP	1	
8-27	99342030081	SCREW,TAPPING,3X8	3	
8-28	25937101200	BASE,STOP SWITCH	1	
8-29	26237101200	SPRING,STOP SWITCH	1	
8-30	17737101200	TERMINAL,EARTH B	1	
8-31	17637101200	TERMINAL,EARTH A	1	
8-32	3153334020	NUT,SPECIAL 5MM	2	
8-33	99355060001	RING,STOP,6	1	
8-34	83237101200	SPRING,RETURN	1	
8-35	8803728620	LEVER,THROTTLE	1	
8-36	99431050201	SCREW,5X20	2	
8-37	85337101200	SHAFT,LOCK BUTTON	1	
8-38	95837101200	SPRING,LOCK,BUTTON	1	
8-39	95637101200	BUTTON,LOCK	1	
8-40	2603331720	BODY,STOP BUTTON,B	1	
8-41	1783739480	CORD,STOP 430mm	2	
8-47	1641001900	TUBE,PROTECTION,10X190	1	
8-49	50437300200	GRIP,SHAFT	1	



ITEM	PART NUMBER	DESCRIPTION	QTY	COMMENTS
9-30	99106080001	NUT,8/L.H.	1	
9-31	99201080011	WASHER,8	1	
9-32	3113729020	CAP,CUTTER HOLDER	1	
9-33	4353729020	BLADE,TPE-250	1	
9-34	3103729022	HOLDER,CUTTER	1	
9-40	3003729090	CASE,GEAR,ASSY	1	
9-41	99351032002	RING,STOP,C-32 IN	1	
9-42	99961620103	BEARING,BALL #6201D	1	
9-43	3043729020	SHAFT,GEAR	1	
9-44	99961628000	BEARING,BALL,#628	1	
9-45	3013729000	SET,GEAR/PINION	1	
9-46	99423080100	BOLT,8X10	1	
9-47	32433410201	WASHER,GEAR CASE	1	
9-48	3003729021	CASE,GEAR	1	
9-49	99051050103	BOLT,HEX.HOLE,5X10	1	
9-50	99461050254	BOLT,HEX HOLE,5X25S	1	
9-53	99961609000	BEARING,BALL,#609	1	
9-54	99961609002	BEARING,BALL,#609Z	1	
9-55	99350009002	RING,STOP,C9	1	
9-56	99351024002	RING,STOP,C-24,IN	1	
9-60	2103729080	HANDLE,LOCK	1	
9-71	99210080012	WASHER,S,8	1	
9-72	99201080011	WASHER,8	1	
9-73	1203729480	WHEEL,TPE,6"	1	
9-74	0493729420	COLLAR	1	
9-75	4413729022	GUARD,BLADE	1	
9-76	3143729420	BOLT,SPECIAL	1	
9-77	4813729420	STAY,WHEEL	1	
9-78	99210060062	WASHER,S,6	2	
9-79	99053060153	BOLT,HEX,6X15	2	
9-80	4423729021	BRACKET,COVER	1	
9-81	4453729420	HOLDER,BLADE GUARD	1	
9-82	99210060062	WASHER,S,6	2	
9-83	99053060353	HEX, HOLE BOLT 6X35	2	
9-88	4963729020	HOLDER,MUD FLAP	1	
9-89	5003729020	FLAP,MUD	1	
9-90	99461050124	BOLT,HEX,5X12S	3	



ITEM	PART NUMBER	DESCRIPTION	QTY	COMMENTS
10-1	81320000200	WRENCH,HEX,4	1	
10-2	8292000080	SPANNER,COMBI,13X19	1	

ITEM	PART NUMBER	DESCRIPTION	QTY	COMMENTS
11-1	9060304520	DECAL	1	
11-2	9064729820	DECAL,TPE-250PF	1	
11-3	91505015200	DECAL,SYMBOL	1	
11-4	92337400200	DECAL,LEVEL	1	
11-6	91933111201	DECAL,CAUTION	1	
11-7	9293810020	DECAL,SYMBOL,PF	1	
11-16	9193728620	DECAL,CAUTION	1	
11-17	9203246620	DECAL,CAUTION	1	

**Date:** September 2000

**Model & Serial:** TPE-250  
 All Units

**Reason:** The newer style of guard assembly is now available as an assembly. This assembly can be used to update the older style edgers, thus improving ease of height adjustment.  
 All components depicted below are included. Individual part numbers can be found in the parts catalog for the TPE-2510, TPE-270PF or TPE-270PN.  
 Gear cases are common between all models, so it is not necessary to replace the gear case when updating an older model to the newer style guard.

**Part Number Changes:**

Old Part #	New Part #	Description	Remarks
	441-37294-00	Safety Guard Assembly	

