

Parts List for RIDGID Planer Model No. TP1300LS

RIDGID parts are available on-line at www.ridgidparts.com

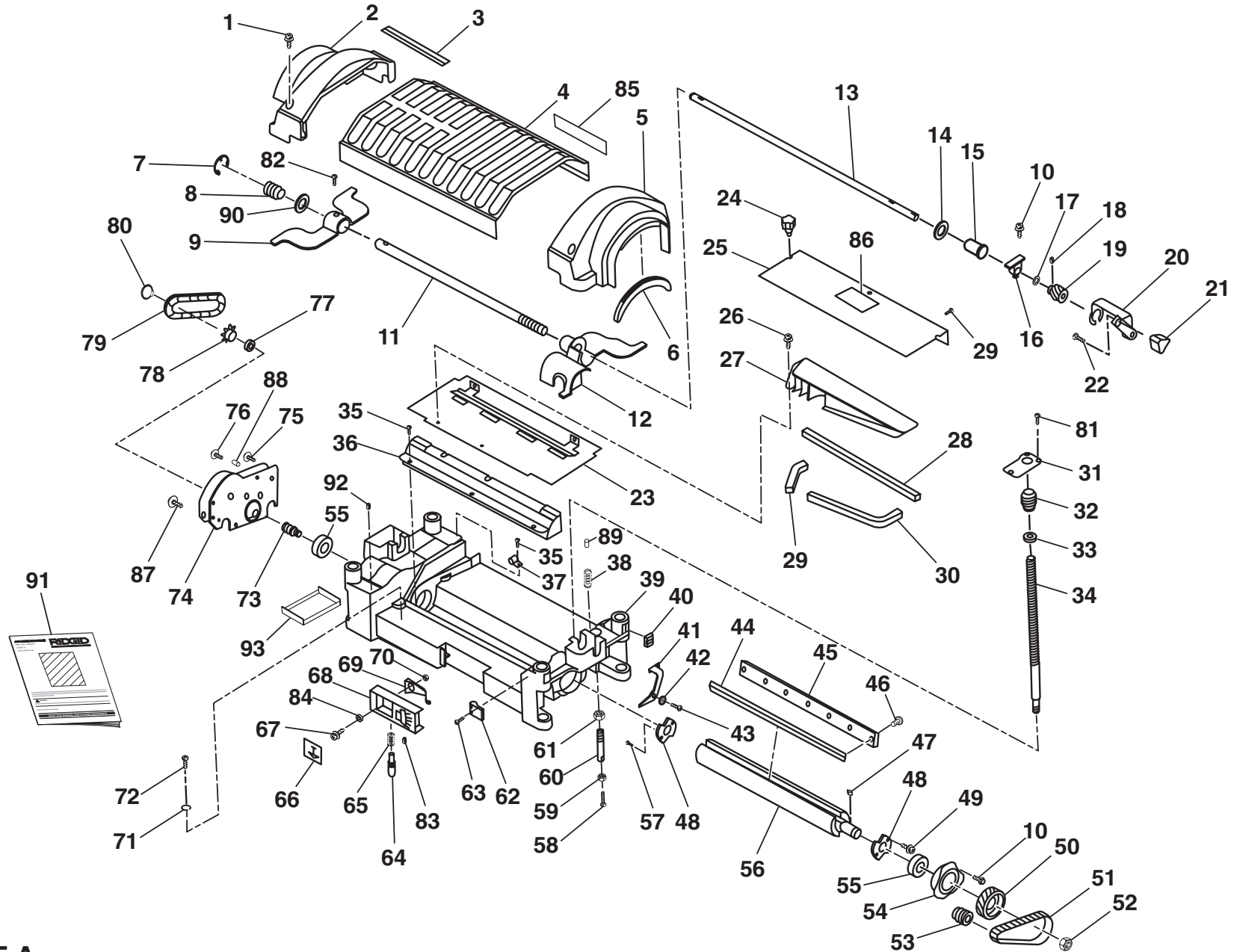


FIGURE A

Parts List for RIDGID Planer Model No. TP1300LS

RIDGID parts are available on-line at www.ridgidparts.com

PARTS LIST FOR FIGURE A

Key No.	Part Number	Description	Quan.	Key No.	Part Number	Description	Quan.
1	828942	* SCREW WITH WASHER (M6 x 20 mm)	4	24	827753	CHUTE KNOB	3
2	827681	CAP, LEFT	1	25	827745	SHROUD COVER	1
3	827713	LENGTH SCALE	1	26	828944	* SCREW WITH WASHER (M4 x 6 mm)	2
4	827683	UPPER COVER	1	27	827697	AIR MANIFOLD	1
5	827682	CAP, RIGHT	1	28	827932	REAR GASKET	1
6	827741	UPPER PAD	2	29	827930	RIGHT GASKET	1
7	817453-1	RETAINING RING (C17)	1	30	827931	LEFT GASKET	1
8	827769	WORM GEAR, LEFT.	1	31	827750	COVER	2
9	827720	LEFT PLATE LOCK	1	32	827770	WORM GEAR, RIGHT.	1
10	828943	* SCREW (M5 x12mm HEX SOC CAP)	3	33	827759	BUSHING	2
11	827717	SLEEVE	1	34	827768	ELEVATING SCREW, RIGHT.	1
12	827719	RIGHT PLATE LOCK	1	35	820240-3	* SCREW (M5 x 6 mm PAN HD.)	3
13	827726	TRANSMISSION SHAFT	1	36	827704	DUST CHUTE PLATE	1
14	827766	* WASHER (12.5 x 3 mm)	1	37	827767	CORD CLAMP	1
15	827724	* LOCK NUT (M17 x 2.0)	1	38	827738	SPRING /PLUNGER	1
16	827754	SUPPORT	2	39	827678	UPPER FRAME	1
17	814596	* WASHER (12 x 16 x 1)	1	40	827725	SUPPORT BLOCK	4
18	821065-2	* SCREW (M5 x 0.8-8 SOC SET CUP)	1	41	827751	CUTTER LOCK	1
19	827723	WORM ELEVATION	1	42	827737	CUTTER LOCK SPACER	1
20	827699	HANDLE	1	43	828027	* SCREW (M5 x 12 mm SOC HD)	1
21	827716	SURE-CUT™ KNOB	1	44	827712	PLANER BLADE	2
22	820379-9	* SCREW WITH WASHER (M5 x 10 mm)	1	45	827711	BLADE LOCK BAR	2
23	827695	DUST CHUTE	1				

***STANDARD HARDWARE ITEM – MAY BE PURCHASED LOCALLY**

Parts List for RIDGID Planer Model No. TP1300LS

RIDGID parts are available on-line at www.ridgidparts.com

PARTS LIST FOR FIGURE A

Key No.	Part Number	Description	Quan.	Key No.	Part Number	Description	Quan.
46	828791	SQUARE HEAD BOLTS.....	14	70	827762	NUT	1
47	818654-9	KEY (5 x 12mm)	1	71	813314-8	LOCKWASHER (M5)	2
48	827714	BLADE COLLAR	2	72	820257-1	* SCREW (M5 x 0.8-8 PAN HD)	2
49	828948	* SCREW WITH WASHER (M4 x 8 mm)	4	73	827784	PINION GEAR	1
50	827787	CUTTER HEAD PULLEY	1	74	828677	GEAR BOX ASSEMBLY	1
51	827793	DRIVE BELT	1	75	828943-5	* SCREW WITH WASHER (M5 x 27 mm)	2
52	827788	HEX NUT (M5 x 2.0), LEFT	1	76	828943-4	* SCREW WITH WASHER (M5 x 35 mm)	3
53	827789	MOTOR PULLEY.	1	77	827773	SPACER (15 x 20 x 7)	1
54	827786	BEARING RETAINER	1	78	827772	SPROCKET	1
55	820722-5	BALL BEARING (6203ZZ)	2	79	827794	CHAIN	1
56	827680	CUTTER HEAD ASSEMBLY	1	80	817453-4	RETAINING RING	1
57	813249-76	SPRING PIN (3 x 8 mm)	4	81	828027-1	* SCREW (M5 HEX HD.)	6
58	821151-4	* SCREW (M5 x 0.8-25 HEX HD.)	1	82	828027	* SCREW (M5 x 0.8-12 HEX HD.)	1
59	813164-6	* HEX NUT (M5 x 0.8)	1	83	821065-1	* SCREW (M5 x 0.8-5 SOC SETCUP PT)	1
60	827729	ROD	1	84	827763	BUSHING (4.2 x 11 x 3)	1
61	827817	SPECIAL NUT (M10 x 1.5)	1	85	827709	LABEL	1
62	827739	DEPTH INDICATOR	1	86	827819	WARNING LABEL (DUST CHUTE)	1
63	820401-2	* SCREW (M3 x 16 mm PAN HD.)	2	87	828943-3	* SCREW WITH WASHER (M5 x 30mm)	1
64	827733	POINTER ELEVATING ROD	1	88	828681	PLUG	1
65	827734	COIL SPRING (8.5 x 19 x 0.8)	1	89	828788	PLUNGER	1
66	827746	POINTER COVER	1	90	827721	* WASHER	1
67	828944-1	* SCREW WITH WASHER (M4 x 0.75-10)	1	91	983000-316	OPERATOR'S MANUAL	1
68	827701	POINTER HOUSING	1	92	821065-2	* SCREW (M5 x 0.8-8 SOC SETCUP PT)	1
69	827732	POINTER	1	93	827783 12-04-03	GEAR BOX COVER	1

*STANDARD HARDWARE ITEM – MAY BE PURCHASED LOCALLY

Parts List for RIDGID Planer Model No. TP1300LS

RIDGID parts are available on-line at www.ridgidparts.com

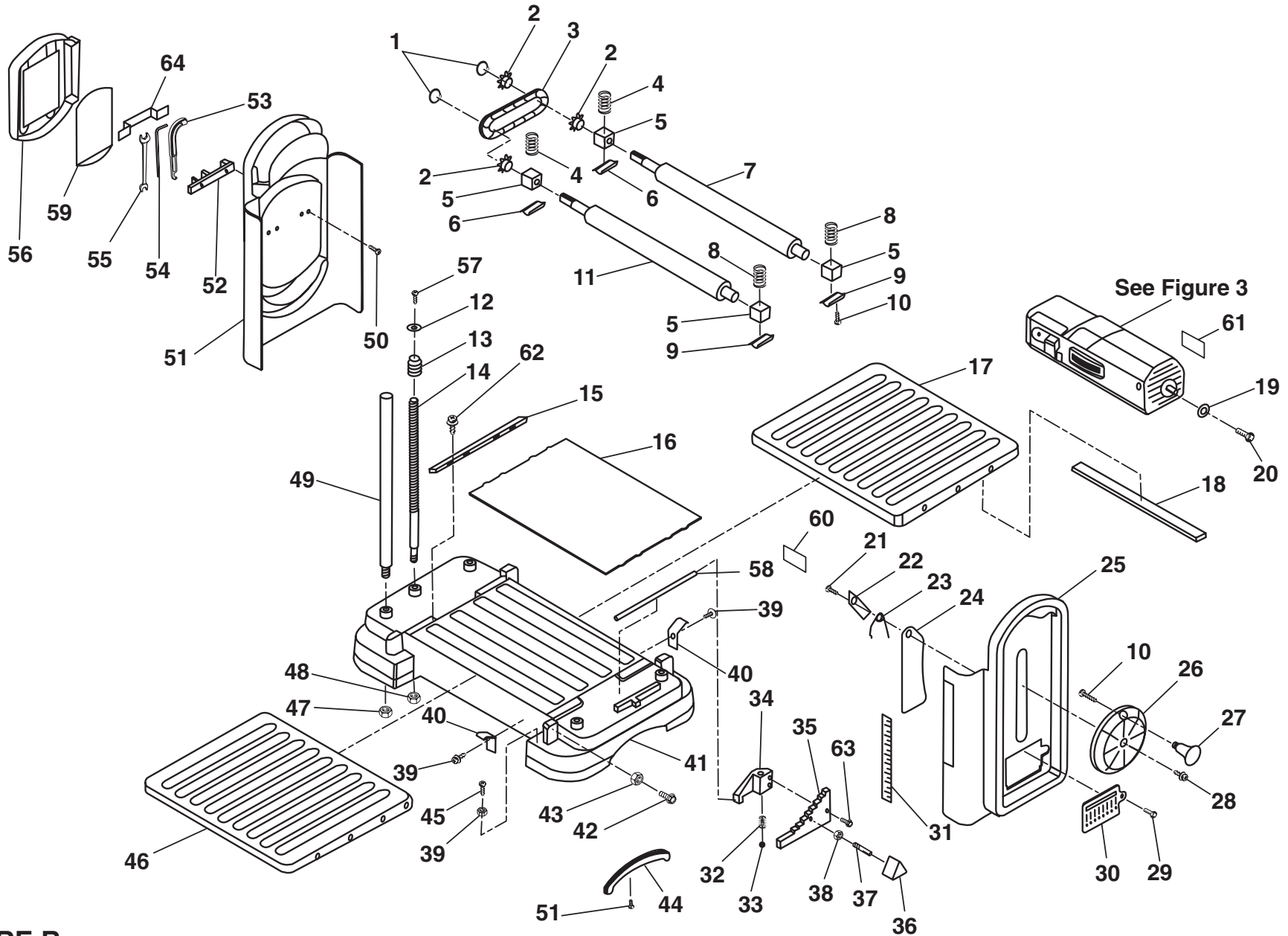


FIGURE B

Parts List for RIDGID Planer Model No. TP1300LS

RIDGID parts are available on-line at www.ridgidparts.com

PARTS LIST FOR FIGURE B

Key No.	Part Number	Description	Quan.	Key No.	Part Number	Description	Quan.
1	817453-4	RETAINING RING	2	33	823742-1	STEEL BALL	1
2	827772	SPROCKET	3	34	827698	GUARD BLOCK	1
3	827794	CHAIN	1	35	827700	BLOCK	1
4	827758	COIL SPRING, LEFT	2	36	827743	REPLANE INDICATOR	1
5	827790	BEARING BLOCK	4	37	827730	BLOCK PIN	1
6	827791	RETAINER PLATE, LEFT	2	38	813164-7	* HEX NUT (M6 x 1.0)	2
7	828938	OUTFEED ROLLER	1	39	828945	* SCREW WITH WASHER (M5 x 0.8-10)	1
8	827755	COIL SPRING, RIGHT.	2	40	827736	FLAT SPRING	4
9	827792	RETAINER PLATE, RIGHT	2	41	827677	BASE	1
10	820379-9	* SCREW WITH WASHER (M5 x10 mm)	8	42	827752	ADJUSTMENT BOLT	4
11	828939	INFEED ROLLER	1	43	827817	SPECIAL HEX NUT (M10 x 1.5)	1
12	827765	* WASHER (5.5 x 19 x 2)	1	44	827742	BASE PAD	2
13	827722	WORM GEAR, LEFT	1	45	821388-3	* SCREW (M6 x 1.0-25 HEX HD)	4
14	827735	ELEVATING SCREW, LEFT.	1	46	827685	INFEED TABLE	1
15	827705	GUIDE RAIL	2	47	813164-10	* HEX NUT (M12 x 1.75)	4
16	827694	WEAR PLATE	1	48	817449-4	LOCK NUT (M10 x 1.5)	2
17	827688	OUTFEED TABLE	1	49	827718	SUPPORT ROD	4
18	827764	BLADE STORAGE	1	50	820257-1	* SCREW (M5 x 0.8-8 PAN HD)	2
19	821063	* WASHER (M8 x 23 x 2)	1	51	827684	SIDE COVER, LEFT	1
20	813310	* SCREW (M8 x 1.25-20 HEX HD)	1	52	827771	TOOL HOLDER	1
21	820257-3	* SCREW (M5 x 0.8-6 PAN HD)	1	53	827748	MAGNETIC BLADE WRENCH	1
22	827928	STIFFENER PLATE	1	54	827757	* HEX KEY (4mm)	1
23	827744	TORSION SPRING	1	55	827756	WRENCH (M8 AND M10)	1
24	827731	SIDE GUARD PLATE	1	56	827686	TOOL STORAGE COVER	1
25	827679	COVER, RIGHT SIDE	1	57	820379-1	* SCREW (M5 x 0.8-8 HEX SOC CAP)	1
26	827696	HANDWHEEL	1	58	827728	PIVOT ROD	1
27	827749	HANDWHEEL KNOB	1	59	827816	KNIFE INSTRUCTIONS (159)	1
28	828943-2	* SCREW WITH WASHER (M5 x 16 mm)	1	60	826489-16	NAME PLATE (155)	1
29	827929	SCREW (M6 x 1.0-12 HEX HD)	1	61	828468	KNIFE REMOVAL LABEL	1
30	827703	REPEAT-A-CUT™ SCALE	1	62	828943-1	* SCREW WITH WASHER (M5 x 10 mm)	8
31	827715	THICKNESS SCALE	1	63	820379-2	* SCREW (m5 x 16 mm HEX SOC CAP)	2
32	827760	COIL SPRING (7.62 x 15.75 x 0.7)	1	64	13166-B	HOLDER	1

*STANDARD HARDWARE ITEM – MAY BE PURCHASED LOCALLY

Parts List for RIDGID Planer Model No. TP1300LS

RIDGID parts are available on-line at www.ridgidparts.com

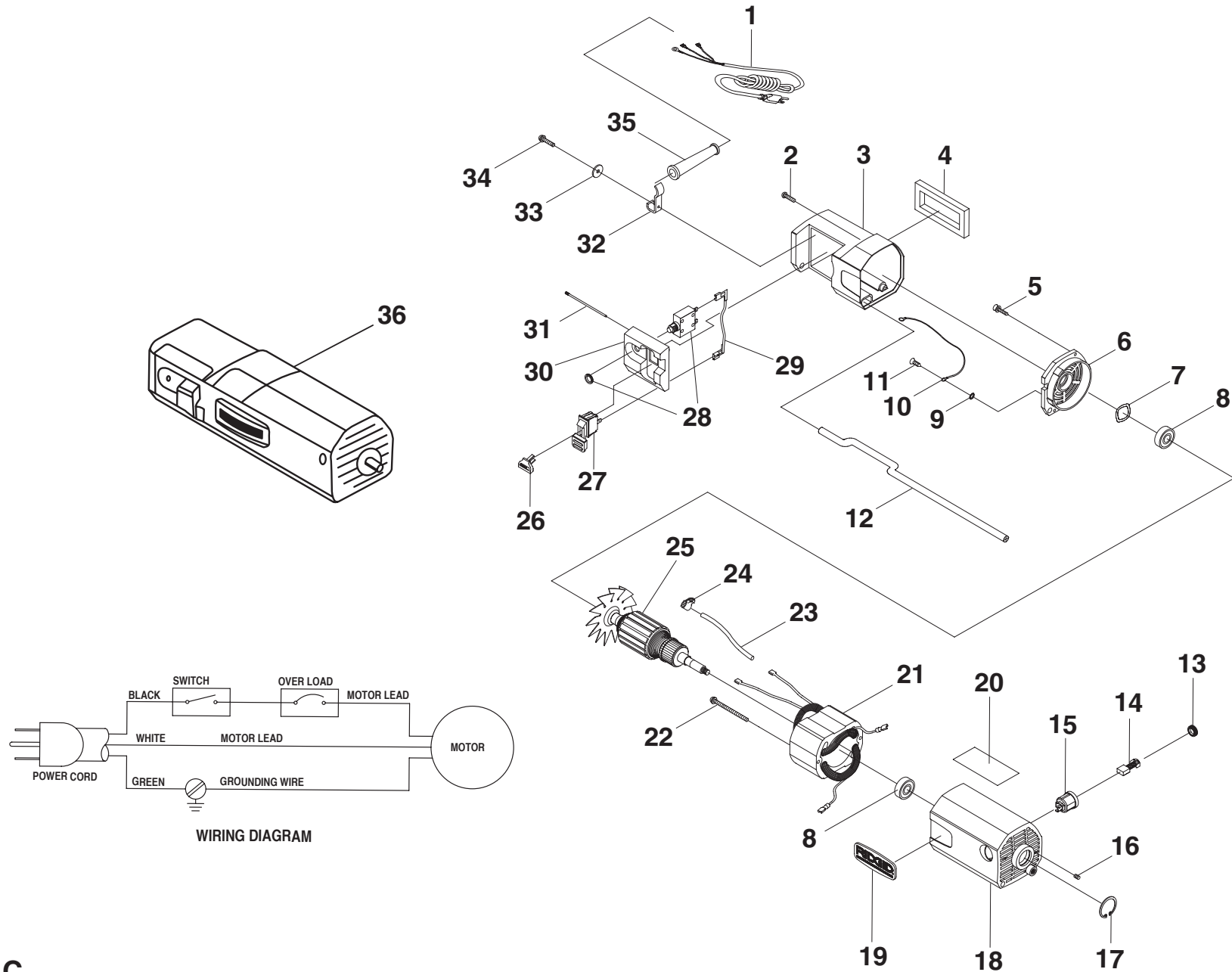


FIGURE C

Parts List for RIDGID Planer Model No. TP1300LS

RIDGID parts are available on-line at www.ridgidparts.com

PARTS LIST FOR FIGURE C

Key No.	Part Number	Description	Quan.	Key No.	Part Number	Description	Quan.
1	827808	CORD WITH PLUG	1	19	826463-4	RIDGID LABEL	1
2	820240-7	* SCREW (M5 x 0.8-20 PAN HD)	2	20	827820	MOTOR WARNING LABEL	1
3	827689	SWITCH HOUSING	1	21	827801	FIELD ASSEMBLY	1
4	827740	FOAM GASKET	1	22	828947	* SCREW WITH WASHER (M4.8 x 70 mm) ...	2
5	828946	* SCREW WITH WASHER (M4.2 x 20 mm) ...	4	23	827706	SLEEVE	1
6	827707	MOTOR END CAP	1	24	827767	CORD CLAMP	1
7	820510-6	WAVY WASHER	1	25	827803	ARMATURE ASSEMBLY	1
8	820722-3	BALL BEARING (6201LLB)	2	26	829786	SWITCH KEY	1
9	813314-8	LOCK WASHER	1	27	829785	SWITCH	1
10	827812	LEAD	1	28	827806	RESET SWITCH (INC. NUT)	1
11	820257-1	* SCREW (M5 x 8 mm)	1	29	13M33A	LEAD (80 mm)	1
12	827807	PIVOT MOTOR ROD	1	30	827708	SWITCH BEZEL	1
13	827810	BRUSH CAP	2	31	827797	SPECIAL SCREW	1
14	827811	BRUSH	2	32	827798	CORD CLAMP	1
15	827809	BRUSH HOLDER (INC. BRUSHES)	2	33	827765	* WASHER (M5.5 x 19.2 mm)	1
16	821065-3	* SCREW (M5 x 12 mm HEX SOC SET)	2	34	828945-1	* SCREW WITH WASHER (M5 x 30 mm)	1
17	826551-1	RETAINING RING	1	35	827799	CORD GUARD	1
18	827690	MOTOR HOUSING	1	36	827691	MOTOR AND SWITCH ASSEMBLY	1

*STANDARD HARDWARE ITEM – MAY BE PURCHASED LOCALLY

**Parts List for RIDGID Planer
Model No. TP1300LS**

RIDGID parts are available on-line at www.ridgidparts.com

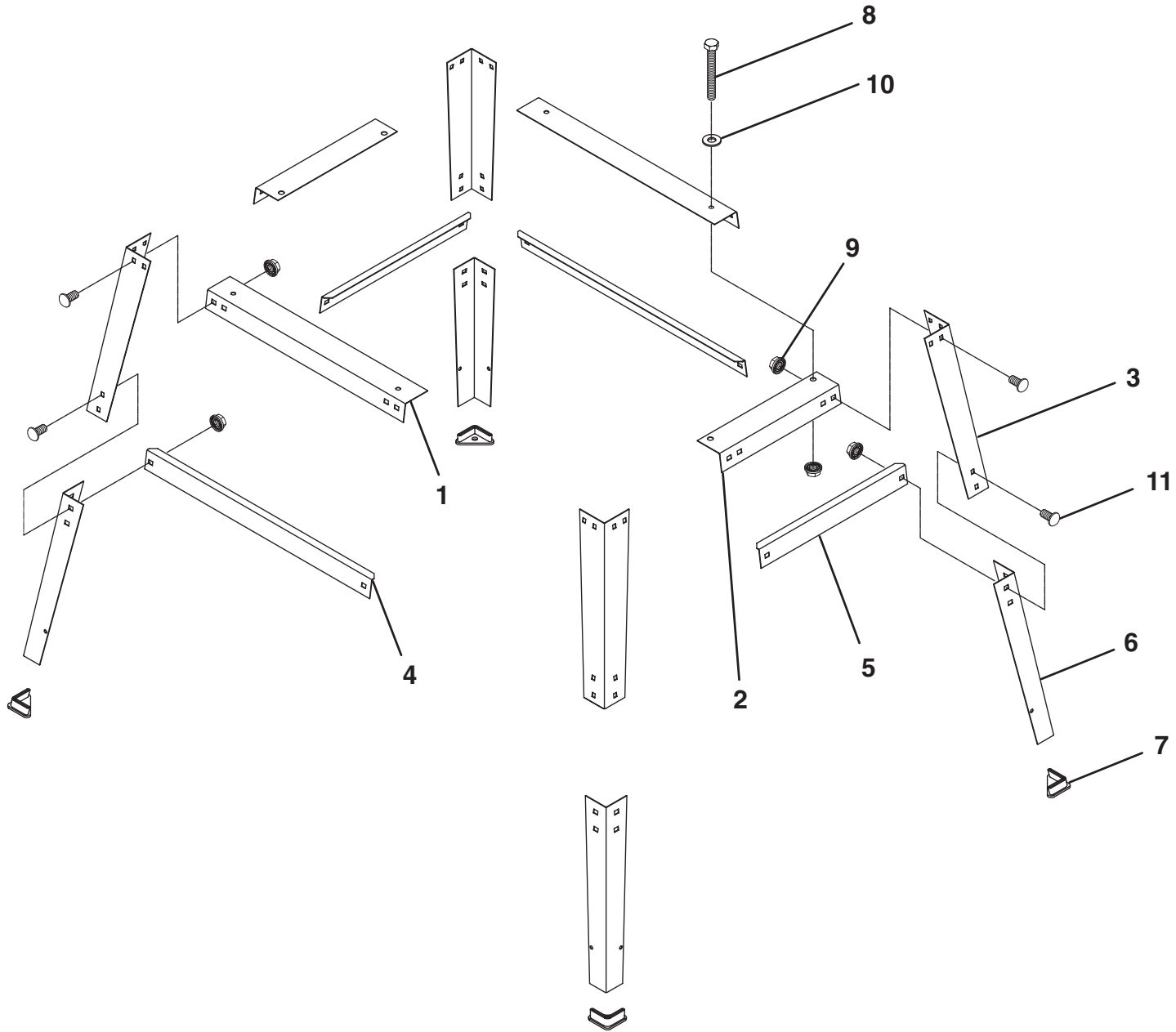


FIGURE D

Parts List for RIDGID Planer Model No. TP1300LS

RIDGID parts are available on-line at www.ridgidparts.com

PARTS LIST FOR FIGURE D

Key No.	Part Number	Description	Quan.	Key No.	Part Number	Description	Quan.
1	829635	UPPER BRACE, LONG	2	7	829632	FOOT	4
2	829636	UPPER BRACE, SHORT	2	8	813310-10	* SCREW (M8 x1.25-65 HEX)	4
3	829634	UPPER LEG	4	9	829631	* FLANGED HEX NUT (M8 x 1.25)	36
4	829637	LOWER BRACE, LONG	2	10	821063-2	* WASHER (M8 x 16 x 1.6)	4
5	829638	LOWER BRACE, SHORT	2	11	821103	* CARRIAGE BOLT (M8 x 1.25)	32
6	829633	LOWER LEG	4	12	829626	LEG STAND ASSEMBLY	1

*STANDARD HARDWARE ITEM – MAY BE PURCHASED LOCALLY