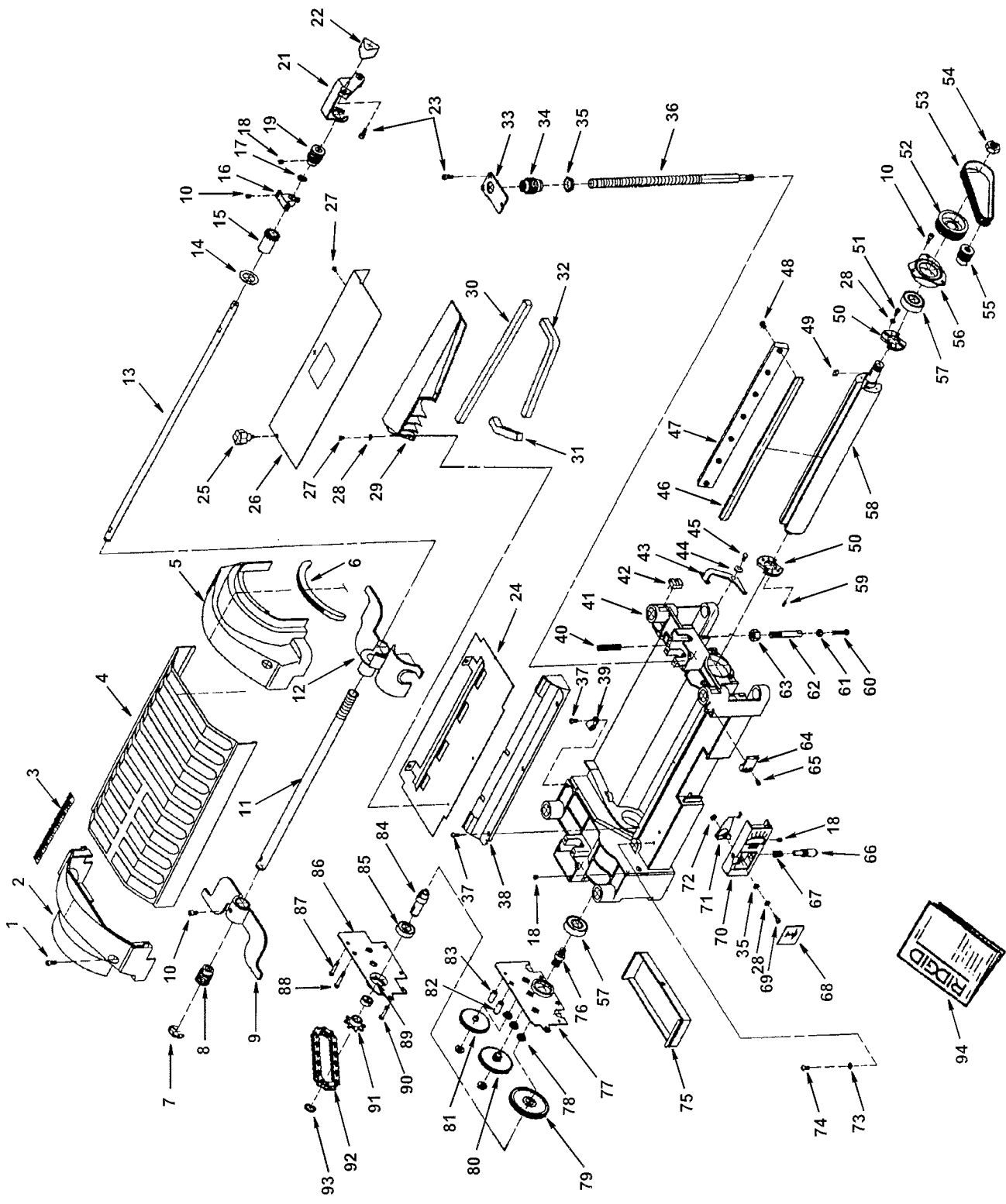


Repair Parts

Parts List for 13" Thickness Planer Model No. TP13000

RIDGID parts are available on-line at www.ridgidparts.com

Figure 1



Repair Parts

Parts List for 13" Thickness Planer Model No. TP13000

RIDGID parts are available on-line at www.ridgidparts.com

Figure 1

Always order by Part Number - Not by Key Number

Key No	Part No.	Description
1	820380-4	Scr Hex Soc Butt Hd M6 x 1.0-16
2	827681	Cap Left
3	827713	Scale Length
4	827841	Cover Upper
5	827682	Cap Right
6	827741	Pad Upper
7	820632-4	Ring Retaining E15
8	827769	Worm Gear L.H.
9	827720	Plate Lock Left
10	*	Scr Hex Soc Cap M5 x 0.8-12
11	827717	Sleeve
12	827719	Plate Lock Right
13	827726	Shaft Transmission
14	827766	Washer 21.5 x 24 x 1
15	827724	Nut Lock M17 x 2.0
16	827754	Support
17	*	Washer 12 x 16 x 1
18	*	Scr Soc Set Cup Pt M5 x 0.8-8
19	827723	Worm Elevation
20		
21	827699	Handle
22	827716	Knob Snipe
23	*	Scr Hex Soc Cap M5 x 0.8-10
24	827695	Chute Dust
25	827753	Knob Chute
26	827926	Cover Shroud
27	*	Scr Pan Hd M4 x 0.75-6
28	*	Washer 4.2 x 10 x 0.9
29	827697	Manifold Air
30	827932	Gasket Rear
31	827930	Gasket Right
32	827931	Gasket Left
33	827750	Cover
34	827770	Worm Gear R.H.
35	827759	Bushing 4.2 x 11 x 3
36	827768	Screw Elevating R.H.
37	*	Scr Pan Hd M5 x 0.8-6
38	827704	Plate Dust Chute
39	827767	Clamp Cord
40	827738	Spring Coil 9.14x44.45x0.8
41	827678	Frame Upper
42	827725	Block Support
43	827737	Spacer Cutter head Lock
44	827751	Lock Cutter head
45	*	Scr Pan Hd M5 x 0.8-12
46	AC8630	† Knife Planer
47	827711	Bar Knife Lock
48	827785	Screw Knife Lock

Key No	Part No.	Description
49	*	Key 5 x12mm
50	827714	Collar Knife
51	*	Scr Hex Soc Cap M4 x 0.75-8
52	827787	Pulley Cutter head
53	827793	Belt Drive
54	827788	Nut Hex M6 x 2.0 L.H.
55	827798	Pulley Motor
56	827786	Retainer Bearing
57	820722-5	Bearing Ball 6203ZZ
58	827680	Head Cutter (Includes Collar knife, Retainer Bearing, Bearing Ball and Gear Pinion)
59	813249-76	Pin Spring 3 x 8mm
60	*	Screw Hex Hd M5 x 0.8-26
61	*	Nut Hex M5 x 0.8
62	827729	Rod Step
63	827817	Nut Special M10 x 1.5
64	827739	Indicator Depth
65	820401-2	Scr Pan Hd M3 x 0.5-16
66	827733	Rod Pointer Elevating
67	827734	Spring Coil 8.5X19X0.8
68	827746	Cover Pointer
69	*	Scr Pan Cr M4 x 0.75-10
70	827701	Housing Pointer
71	827732	Pointer
72	*	Nut M4 x 0.75
73	*	Lockwasher Ext Tooth M5
74	*	Scr Pan Hd TY TT M5 x 0.8-8
75	827783	Cover Gear Box
76	827784	Gear Pinion
77	827782	Cover Gearbox Inside
78	827776	Bushing Gear
79	827779	Gear Large
80	827778	Gear Intermediate
81	827777	Gear Small
82	827780	Spacer Undercut
83	827781	Spacer 9 x 20 x 5.5
84	827775	Shaft Gear
85	820722-21	Bearing Ball 6002ZZ
86	827774	Cover Gearbox Outside
87	*	Scr Hex Soc Cap M5 x 0.8-25
88	*	Scr Hex Soc Cap M5 x 0.8-35
89	*	Scr Hex Soc Cap M5 x 0.8-30
90	827773	Spacer 15 x 20 x 7
91	827772	Sprocket
92	827794	Chain
93	817453-4	Ring Retaining Ext STW15
94	SP6230	Owners Manual

* Standard Hardware Item - May be purchased locally.

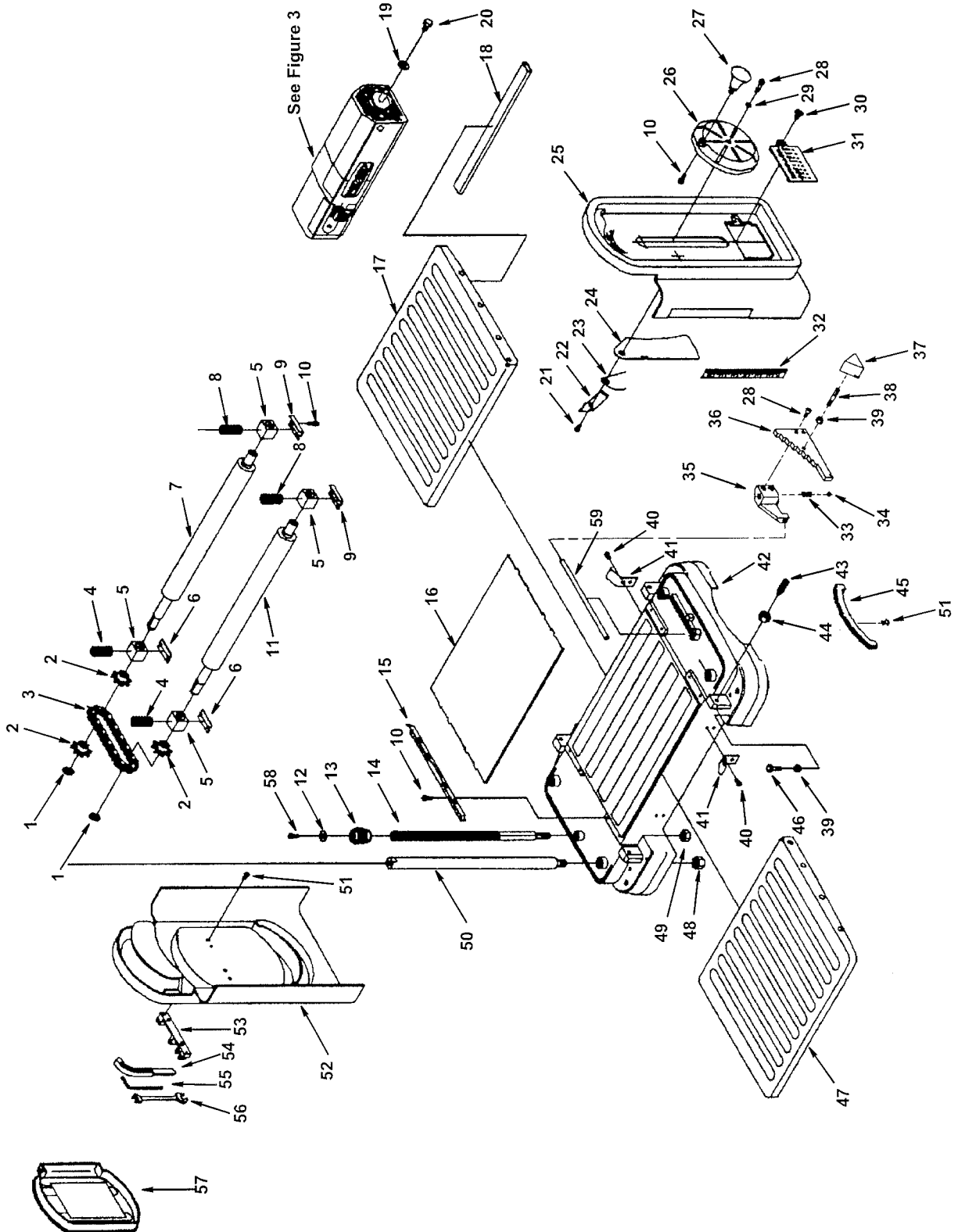
† These replacement parts are available where you purchased your Planer.

Repair Parts

Parts List for 13" Thickness Planer Model No. TP13000

RIDGID parts are available on-line at www.ridgidparts.com

Figure 2



**Parts List for 13" Thickness Planer
Model No. TP13000**

RIDGID parts are available on-line at www.ridgidparts.com

Figure 2

Always order by Part Number - Not by Key Number

Key No	Part No.	Description
1	817453-4	Ring Retaining
2	827772	Sprocket
3	827794	Chain
4	827758	Spring Coil Left
5	827790	Block Bearing
6	827791	Plate Retainer Left
7	827693	Roller Outfeed
8	827755	Spring Coil Right
9	827792	Plate Retainer Right
10	*	Scr Hex Soc Cap M5 x 0.8-10
11	827692	Roller Infeed
12	*	Washer 5.5 x 19 x 2
13	827722	Worm Gear R.H.
14	827735	Screw Elevating L.H.
15	827705	Rail Guide
16	827694	Plate Wear
17	827688	Table Rear
18	827764	Case Knife (Knives not included)
19	*	Washer M8 x 23 x 2
20	*	Screw Hex Hd M8 x 1.25-25
21	*	Scr Pan Hd Ty "TT" M5 x 0.8-6
22	827928	Plate Stiffener
23	827744	Spring Torsion
24	827731	Plate Side Guard
25	827679	Cover Side Right
26	827696	Hub Handwheel
27	827749	Knob Handwheel
28	*	Scr Hex Soc Cap M5 x 0.8-15
29	*	Lockwasher M5
30	827929	Screw Hex Soc. FI Hd M6 x 1.0-12

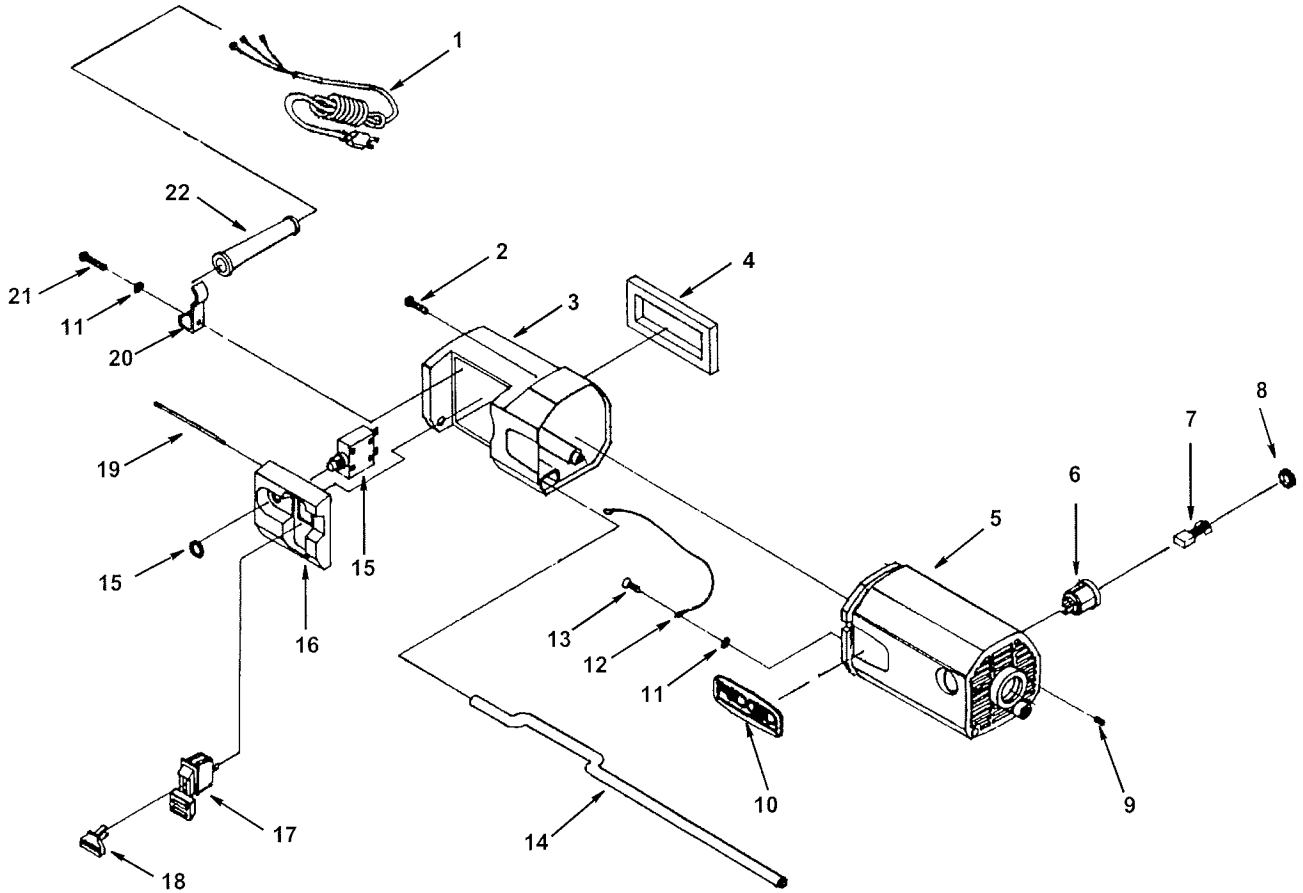
Key No	Part No.	Description
31	827703	Cover Side RH
32	827715	Scale Thickness
33	827760	Spring Coil 7.62x15.75x0.7
34	823742-1	Ball Steel
35	827698	Block Guard
36	827700	Block Step
37	827743	Knob Step
38	827730	Pin Step Block
39	*	Nut Hex M6 x 1.0
40	*	Scr Pan Hd M5 x 0.8-10
41	827736	Spring Flat
42	827677	Base
43	827752	Bolt Adjustment
44	827817	Nut Hex Special M10 x 1.5
45	827742	Pad Base
46	*	Scr Hex M6 x 1.0-25
47	827685	Table Front
48	*	Nut Hex M12 x 1.75
49	817449-4	Nut Lock M10 x 1.5
50	827718	Rod Support
51	*	Scr Pan Hd Ty "TT" M5 x 0.8-8
52	827684	Cover Side Left
53	827771	Holder Tool
54	827748	Tool Knife
55	*	Wrench Hex "L" 4mm
56	827756	Wrench Box M8 & M10
57	827927	Cover Tool Box
58	*	Scr Hex Soc Cap M5x0.8-8
59	827728	Rod Pivot

* Standard Hardware Item - May be purchased locally.

**Parts List for 13" Thickness Planer
Model No. TP13000**

RIDGID parts are available on-line at www.ridgidparts.com

Figure 3



Always order by Part Number - Not by Key Number

Key No.	Part No.	Description
1	827808	Cord w/plug
2	*	Screw Pan Hd M5 x 0.8-20
3	827689	Housing Switch
4	827740	Gasket Foam
5	827890	Motor (Includes Brushes)
6	827809	Holder Brush
7	827811	Brush
8	827810	Cap Brush
9	*	Screw Hex Soc Set M5 x 0.8-12
10	826463-4	Label 3D RIDGID
11	*	Lockwasher M5

Key No.	Part No.	Description
12	827812	Lead Ground
13	*	Screw Pan Hd Ty "TT" M5 x 0.8-8
14	827807	Rod Motor Pivot
15	827806	Switch Reset (Includes Nut)
16	827708	Bezel Switch
17	826347	Switch Locking
18	AC1000	†Key Switch
19	827797	Screw Special
20	827798	Clamp Cord
21	*	Screw Pan Hd. M5 x 0.8-30
22	827799	Guard Cord

* Standard Hardware Item - May be purchased locally.

† These replacement parts are available where you purchased your Planer.