

Tanaka



Parts Catalog

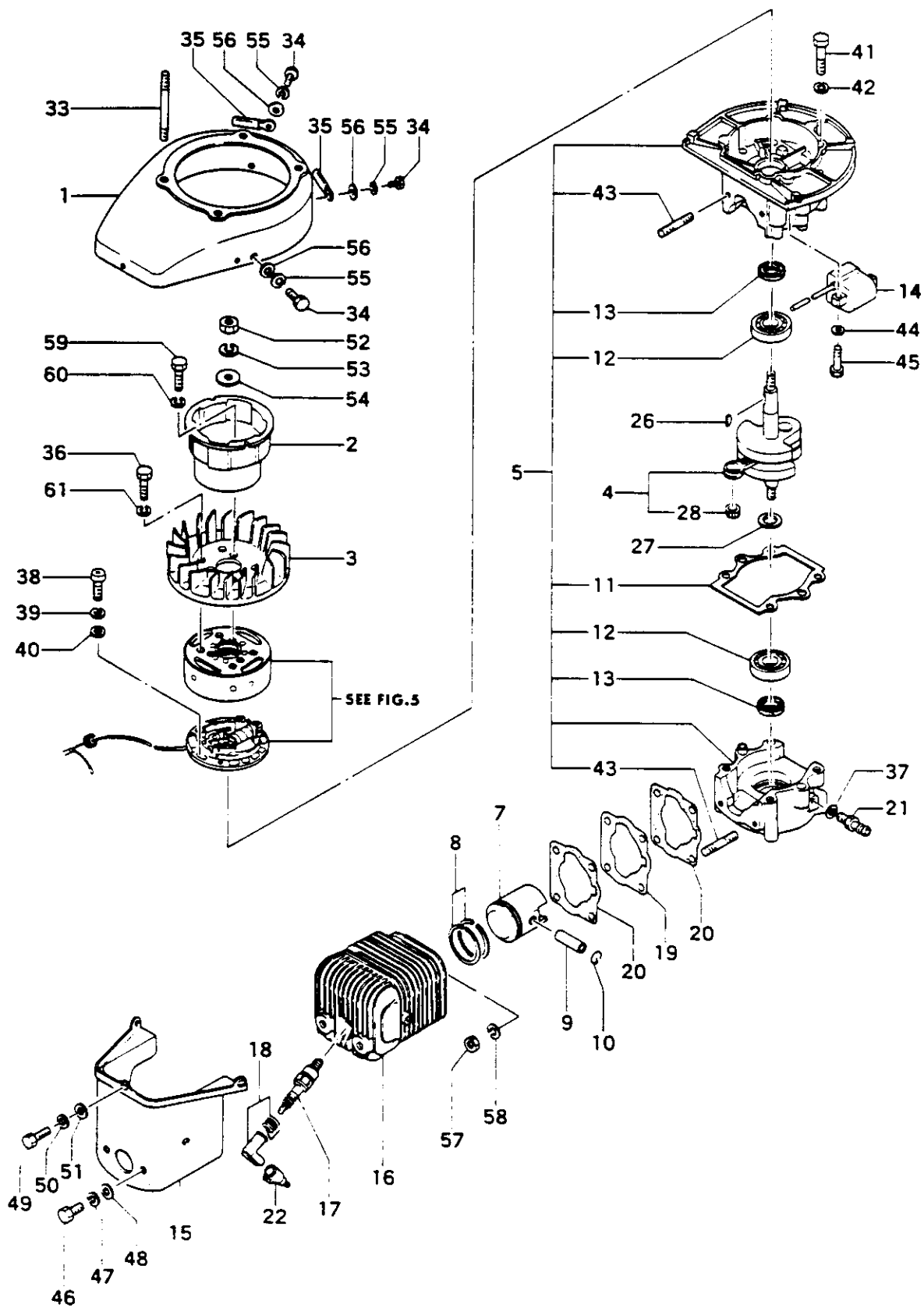


Outboard Motor

Model: TOB-550

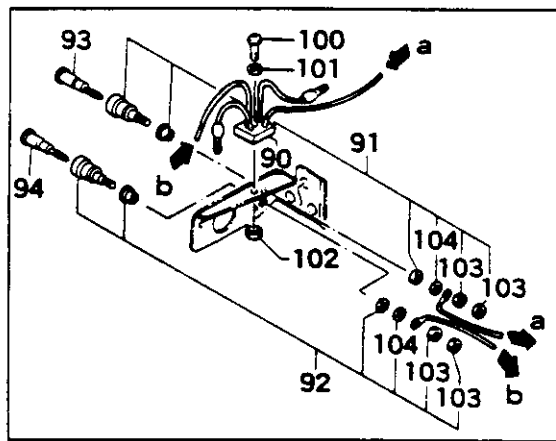
(Including Aquabug Model)

FIG.1 ENGINE

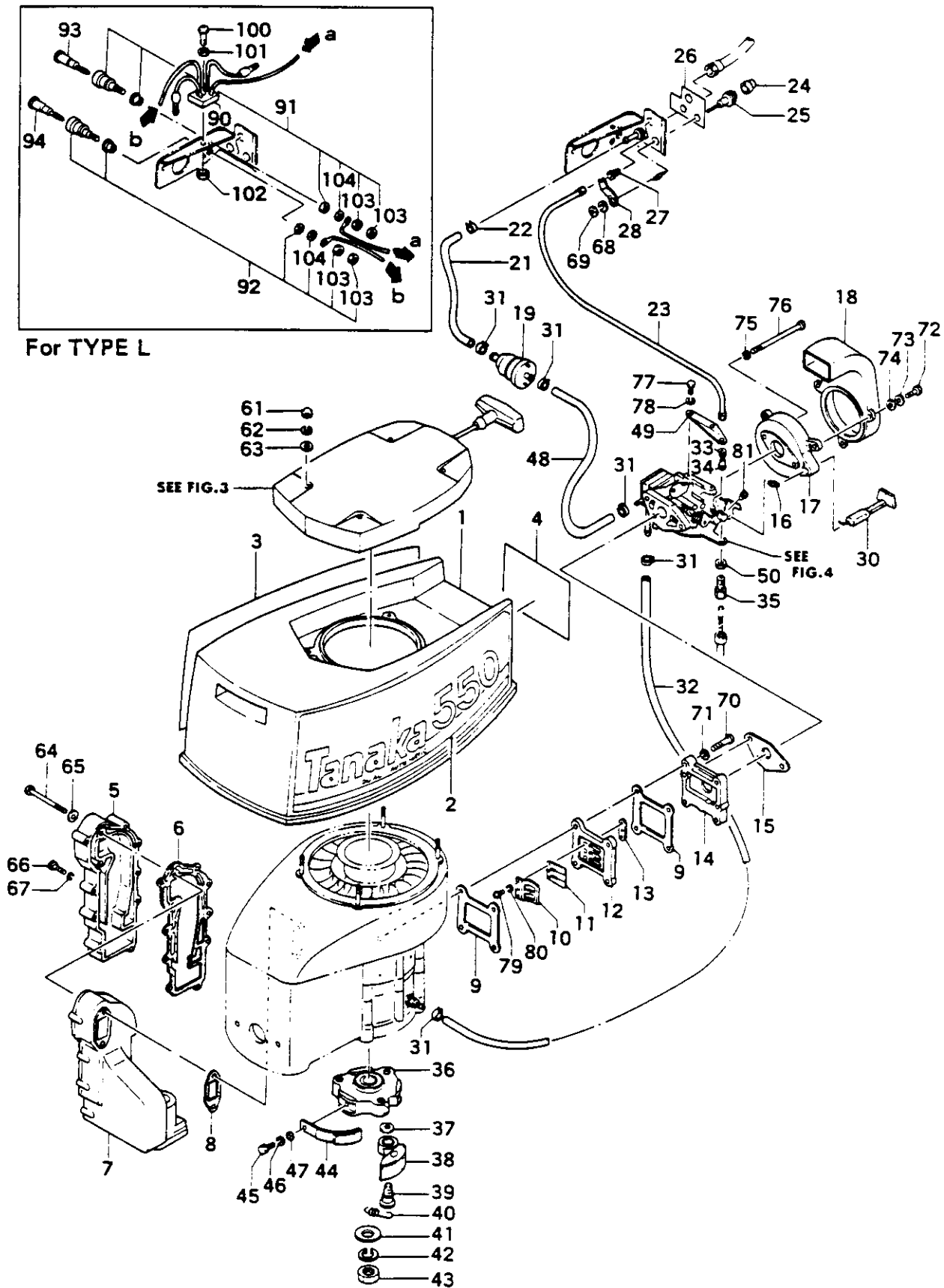


REFERENCE NUMBER	PRODUCTION PART NUMBER	PART NAME	QUANTITY	SERIAL NUMBER	SPARE PART NUMBER
FIG.1 ENGINE					
1-001	112-12700-810	FAN CASE COMP.	1		112 1650 0
1-002	798-12700-200	STARTER PULLEY	1		798 0380 5
1-003	127-12700-200	FAN	1		127 0130 0
1-004	046-12700-800	CRANK SHAFT COMP.	1		046 1090 6
1-005	072-12700-901	CRANK CASE ASS'Y	1		072 0630 4
1-007	031-12700-200	PISTON	1		031 0650 9
1-008	040-12700-200	PISTON RING	2		040 0520 1
1-009	037-12700-200	PISTON PIN	1		037 0240 2
1-010	039-12700-201	CIR CLIP	2		039 0230 9
1-011	090-12700-200	CRANK CASE GASKET 0.3T	1		090 0700 8
1-012	999-61630-400	BALL BEARING #6304	2		999 6155 6
1-013	999-66203-513	OIL SEAL 20358	2		999 6665 8
1-014	153-21620-800	IGNITION COIL COMP.	1		153 0090 0
1-015	016-12700-200	CYLINDER COVER	1		016 1000 4
1-016	002-12700-200	CYLINDER	1		002 1320 6
1-017	018-12700-200	SPARK PLUG BPR7HS	1		018 0460 3
1-018	157-12700-900	SPARK PLUG CAP ASS'Y	1		157 0120 2
1-019	027-12700-200	CYLINDER SPACER	1		027 0220 5
1-020	017-12700-201	CYLINDER GASKET 0.5T	2		017 0500 7
1-021	713-12700-200	PIPE JOINT	1		713 0000 1
1-022	256-01046-200	SPARK PLUG RUBBER COVER B	1		256 0020 3
1-026	068-02000-200	WOOD-RUFF KEY 3X13X5	1		068 0040 2
1-027	071-12100-200	CRANK SHAFT SHIM 0.05	1		071 0100 1
1-028	999-62141-834	NEEDLE BEARING KTV141820EGX04	1		999 6252 2
1-033	100-12701-200	STUD BOLT 6X50	4		100 0620 3
1-034	990-21060-152	HEX. BOLT 6X15	4	-E021400	990 2177 9
1-034	990-21060-162	BOLT 6X16	4	E021401-	990 2038 7
1-035	198-01046-900	CORD CLAMP ASS'Y	2		198 0120 1
1-036	990-21050-122	HEX. BOLT 5X12	4		990 2178 8
1-037	316-12700-200	DRAIN GASKET	1		316 0090 1
1-038	990-11050-122	SCREW 5X12	3		990 1066 1
1-039	992-10050-012	S.WASHER 5	3		992 1012 4
1-040	992-01050-041	WASHER 5	3		992 0038 3
1-041	990-21060-452	HEX. BOLT 6X45	6		990 2179 7
1-042	992-10060-042	S.WASHER 6	6		992 1022 1
1-043	100-12700-200	STUD BOLT 8X33	4		100 0580 2
1-044	992-10060-042	S.WASHER 6	2		992 1022 1
1-045	990-21060-202	BOLT 6X20	2		990 2042 0
1-046	990-21060-122	HEX. BOLT 6X12	4		990 2180 3
1-047	992-10060-042	S.WASHER 6	4		992 1022 1
1-048	992-01060-041	WASHER 6	4		992 0043 5
1-049	990-21050-102	HEX. BOLT 5X10	3		990 2181 2
1-050	992-10050-042	S.WASHER 5	3		992 1015 1
1-051	992-01050-041	WASHER 5	3		992 0038 3
1-052	991-01100-021	NUT 10	1		991 0059 9
1-053	992-10100-042	WASHER 10	1		992 1049 8
1-054	992-01100-041	WASHER 10	1		992 0081 5
1-055	992-10060-042	S.WASHER 6	4		992 1022 1
1-056	992-01060-041	WASHER 6	4		992 0043 5
1-057	991-01080-021	NUT 8	4		991 0032 2
1-058	992-10080-042	S.WASHER 8	4		992 1029 4
1-059	990-21060-122	HEX. BOLT 6X12	3		990 2180 3
1-060	992-10060-042	S.WASHER 6	3		992 1022 1
1-061	992-10050-042	S.WASHER 5	4		992 1015 1

FIG.2 MUFFLER, CLUTCH & REED VALVE



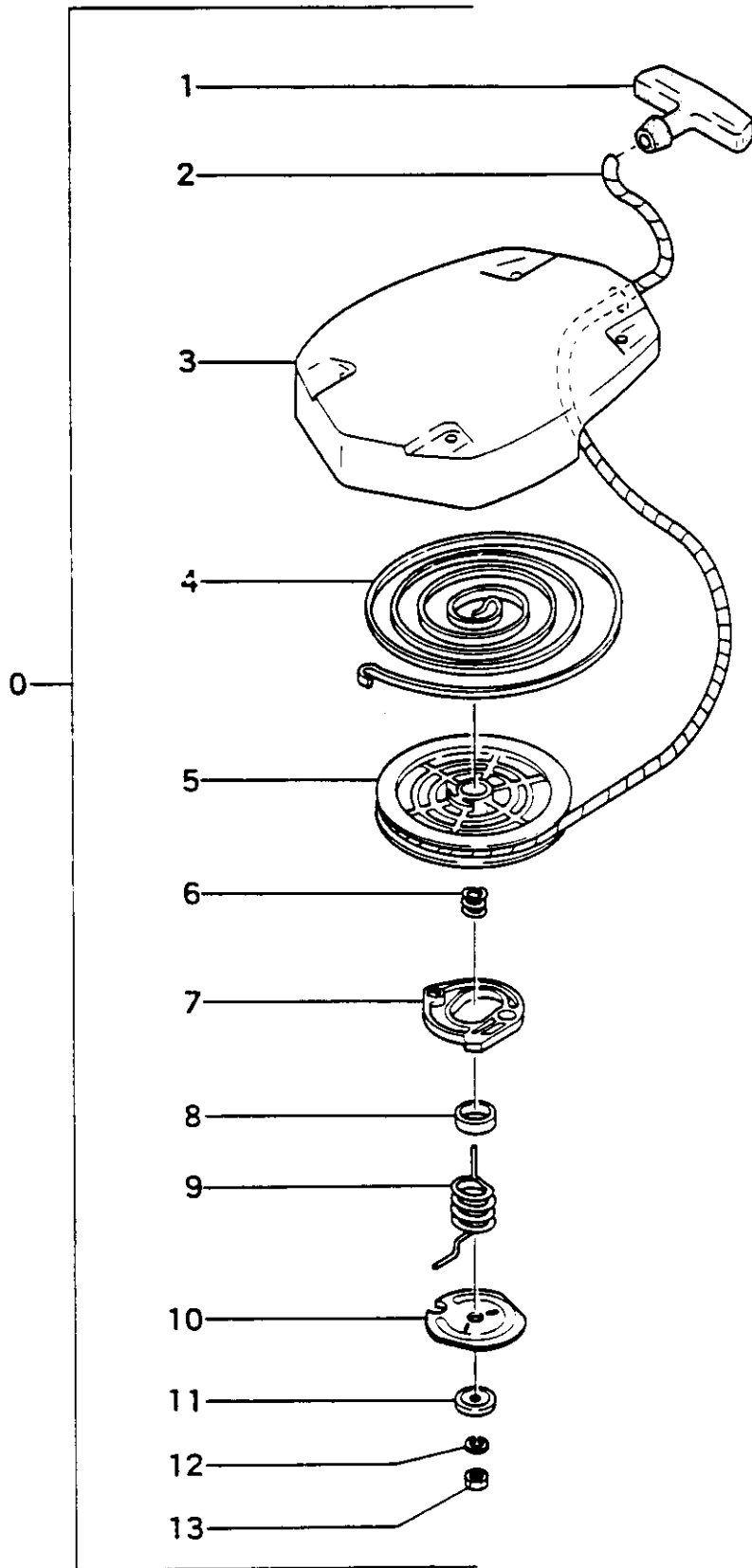
For TYPE L



REFERENCE NUMBER	PRODUCTION PART NUMBER	PART NAME	QUANTITY	SERIAL NUMBER	SPARE PART NUMBER
FIG.2 MUFFLER, CLUTCH & REED VALVE					
2-001	300-35600-200	ENGINE SHROUD	1		300 0610 8
2-002	331-35600-201	SIDE MARK L	1		331 0460 3
2-003	330-35600-202	SIDE MARK R	1		330 0400 4
2-004	906-35600-201	NAME PLATE	1		906 2570 3
2-005	717-12700-200	MUFFLER BODY B	1		717 0710 7
2-006	751-12700-200	MUFFLER BODY GASKET 0.5T	1		751 0120 6
2-007	716-12700-200	MUFFLER BODY A	1	-D285926	716 0760 5
2-007	716-12700-210	MUFFLER BODY A	1	D285927-	716 0761 4
2-008	737-12700-200	MUFFLER GASKET 1.3T	1		737 0390 7
2-009	398-12700-200	REED VALVE SEAT GASKET	2		398 0220 6
2-010	395-12700-211	REED VALVE GUIDE	1		395 0110 5
2-011	394-12700-210	REED VALVE	1		394 0090 1
2-012	397-12700-210	REED VALVE SEAT	1		397 0110 9
2-013	406-12700-200	REED VALVE PLATE	1		406 0000 6
2-014	393-12700-201	INTAKE BODY	1		393 0430 4
2-015	402-12700-200	CARBURETOR GASKET	1		402 0240 2
2-016	519-12700-200	CHOKE LINK	1		519 0030 2
2-017	423-12700-200	CARB. COVER BODY	1		423 0600 9
2-018	424-12700-200	CARB. COVER CAP	1		424 0550 8
2-019	598-12700-800	FUEL FILTER COMP.	1		598 0370 6
2-021	700-15008-100	FUEL PIPE 5X8X100	1		700 2920 6
2-022	682-12700-200	CLIP 9.5	1	-D285926	682 0060 6
2-022	681-12700-200	CLIP 7.8	1	D285927-	681 0090 0
2-023	495-12700-801	IDLE ADJUST CABLE COMP.	1		495 0140 7
2-024	266-12700-200	STOP BUTTON RUBBER COVER	1		266 0070 1
2-025	170-10218-800	STOP BUTTON COMP.	1		170 0200 8
2-026	919-12700-200	CAUTION MARK A	1		919 0160 0
2-027	498-12700-200	IDLE ADJUST KNOB	1		498 0110 7
2-028	500-12700-200	IDLE ADJUST KNOB BRACKET	1		500 0390 7
2-030	523-12700-800	CHOKE KNOB COMP.	1		523 0070 1
2-031	681-12700-200	CLIP 7.8	5		681 0090 0
2-032	700-15008-260	FUEL PIPE 5X8X260	1		700 2900 2
2-033	506-12700-200	IDLE ADJUST SPRING	1		506 0180 6
2-034	502-12700-200	IDLE ADJUST CABLE CONNECTOR	1		502 0150 7
2-035	894-01401-201	OUTER RECEIVER	1		894 0010 0
2-036	347-12700-800	CLUTCH FLANGE COMP.	1		347 0220 4
2-037	359-10112-203	CLUTCH WASHER B	3		359 0021 4
2-038	290-12700-800	CLUTCH ARM COMP.	3		290 0260 7
2-039	357-12700-200	STEP BOLT	3		357 0110 7
2-040	342-12700-220	CLUTCH SPRING	3		342 0422 3
2-041	992-01120-041	WASHER 12	1		992 0082 4
2-042	992-10120-042	S. WASHER 12	1		992 1050 4
2-043	991-01120-021	NUT 12	1		991 0060 5
2-044	210-35600-810	CLUTCH SPRING	3	0140501	210 0231 1
2-044	210-35600-820	CLUTCH SPRING COMP.	3	0140502	210 0232 0
2-045	990-21050-122	HEX. BOLT 5X12	3		990 2170 8
2-046	992-10050-042	S. WASHER 5	3		992 1015 1
2-047	992-01050-041	WASHER 5	3		992 0038 3
2-048	700-15008-150	FUEL PIPE 5X8X150	1		700 2180 4
2-049	497-12700-200	CABLE BRACKET	1		497 0070 9
2-050	991-01060-013	NUT 6	1		991 0024 3
2-061	991-42060-022	CAP NUT 6	4		991 4010 6
2-062	992-10060-042	S. WASHER 6	4		992 1022 1
2-063	992-01060-041	WASHER 6	4		992 0043 5

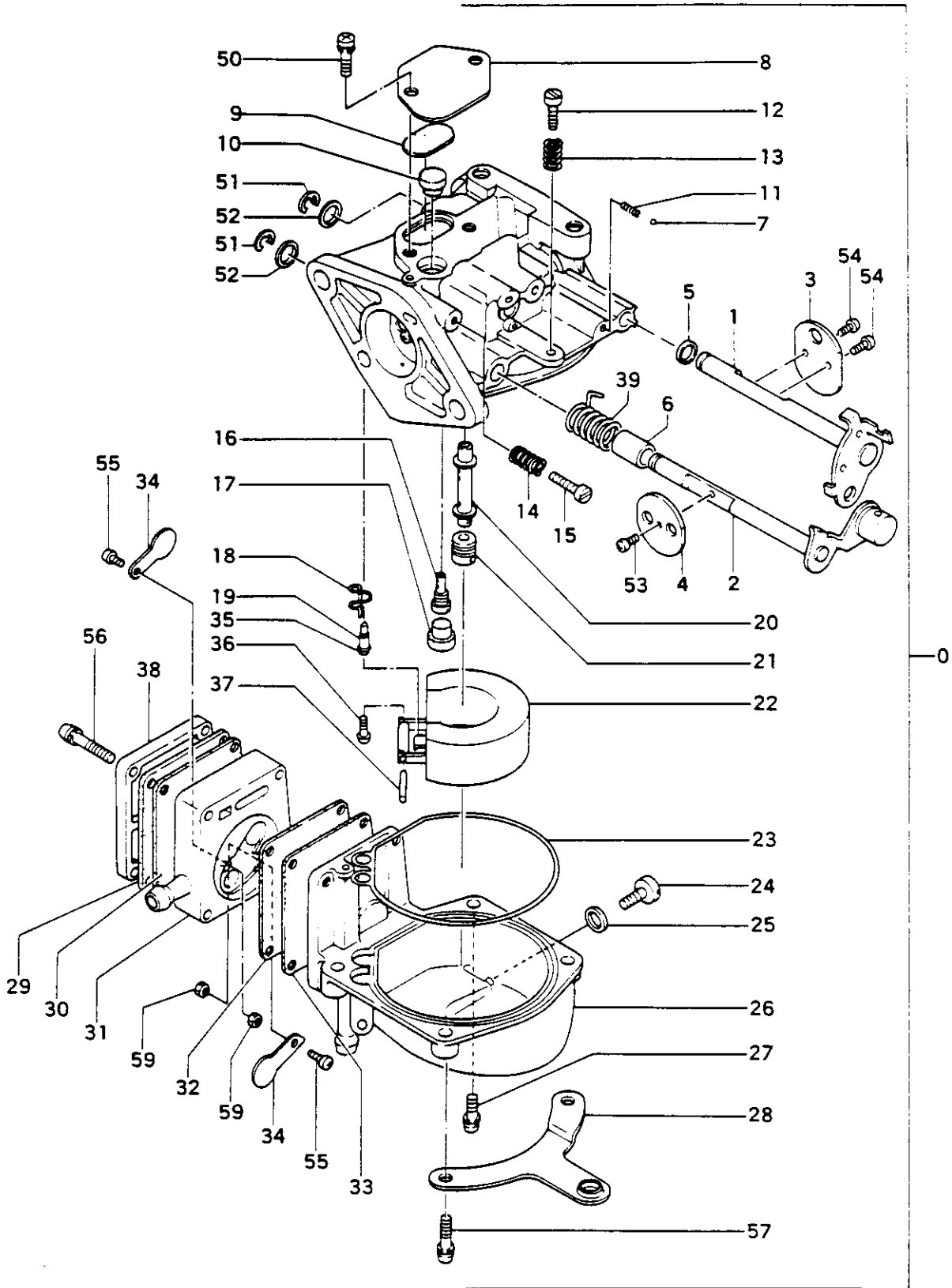
REFERENCE NUMBER	PRODUCTION PART NUMBER	PART NAME	QUANTITY	SERIAL NUMBER	SPARE PART NUMBER
FIG.2 MUFFLER, CLUTCH & REED VALVE					
2-064	990-21080-702	HEX. BOLT 8X70	2		990 2182 1
2-065	992-01080-041	WASHER 8	2		992 0049 9
2-066	990-21050-302	BOLT 5X30	9		990 2022 6
2-067	992-10050-042	S.WASHER 5	9		992 1015 1
2-068	181-01004-200	SPECIAL S.WASHER	1		181 0000 2
2-069	180-01004-200	STOP BUTTON FIXING NUT	1		180 0000 5
2-070	990-21060-302	BOLT 6X30	4		990 2052 7
2-071	992-10060-042	S.WASHER 6	4		992 1022 1
2-072	990-21050-152	HEX. BOLT 5X15	3		990 2183 0
2-073	992-10050-042	S.WASHER 5	3		992 1015 1
2-074	992-01050-041	WASHER 5	3		992 0038 3
2-075	992-10060-042	S.WASHER 6	2		992 1022 1
2-076	990-21060-802	HEX. BOLT 6X80	2		990 2184 9
2-077	990-21050-102	HEX. BOLT 5X10	2		990 2181 2
2-078	992-10050-042	S.WASHER 5	2		992 1015 1
2-079	990-11030-081	SCREW 3X8	3		990 1014 8
2-080	992-10030-012	S.WASHER 3	3		992 1002 7
2-081	990-11040-082	SCREW 4X8	1		990 1027 2
FOR TYPE L					
2-090	310-21620-800	RECTIFIER COMP.	1		310 0340 3
2-091	175-12700-900	TERMINAL ASS'Y RED	1		175 0060 9
2-092	176-12700-900	EARTH TERMINAL ASS'Y BLACK	1		176 0080 0
2-093	189-12700-200	TERMINAL RED	1		189 0080 4
2-094	190-12700-200	TERMINAL BLACK	1		190 0170 0
2-100	990-11040-142	SCREW 4X14	1		990 1214 4
2-101	992-01040-041	WASHER 4	1		992 0033 8
2-102	991-74040-020	U-NUT 4	1		991 7021 9
2-103	991-01040-023	NUT 4	4		991 0061 4
2-104	992-01040-041	WASHER 4	2		992 0033 8

FIG.3 RECOIL STARTER



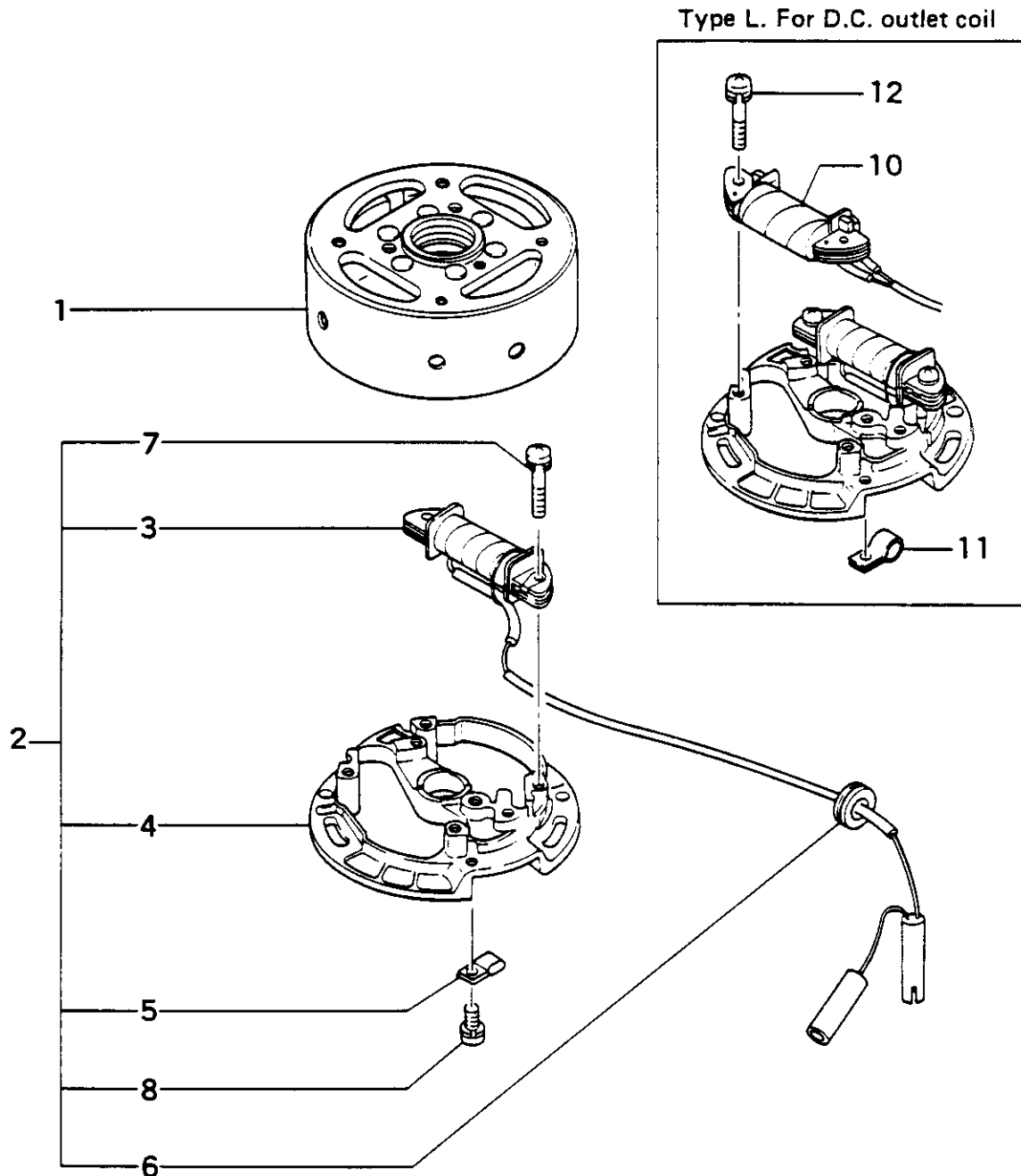
REFERENCE NUMBER	PRODUCTION PART NUMBER	PART NAME	QUANTITY	SERIAL NUMBER	SPARE PART NUMBER
FIG.3 RECOIL STARTER					
3-000	762-12700-900	RECOIL STARTER BODY ASS'Y	1	762 0400	1
3-001	785-12700-800	STARTER HANDLE COMP.	1	785 0240	0
3-002	783-12700-200	ROPE	1	783 0310	8
3-003	772-12700-800	RECOIL STARTER BODY COMP.	1	772 0600	0
3-004	779-12700-200	RECOIL SPRING	1	779 0250	2
3-005	769-12700-200	STARTER ROPE REEL	1	769 0200	4
3-006	836-12700-200	FRICTION SPRING	1	836 0180	8
3-007	788-12700-200	STARTER PAWL	1	788 0250	8
3-008	838-12700-200	SPRING CASE	1	838 0050	8
3-009	832-12700-200	RETURN SPRING	1	832 0190	7
3-010	837-12700-200	FRICTION PLATE	1	837 0160	1
3-011	786-12700-200	STARTER WASHER	1	786 0170	5
3-012	992-10060-071	S.WASHER 6	1	992 1051	3
3-013	991-01060-031	NUT 6	1	991 0062	3

FIG.4 CARBURETOR



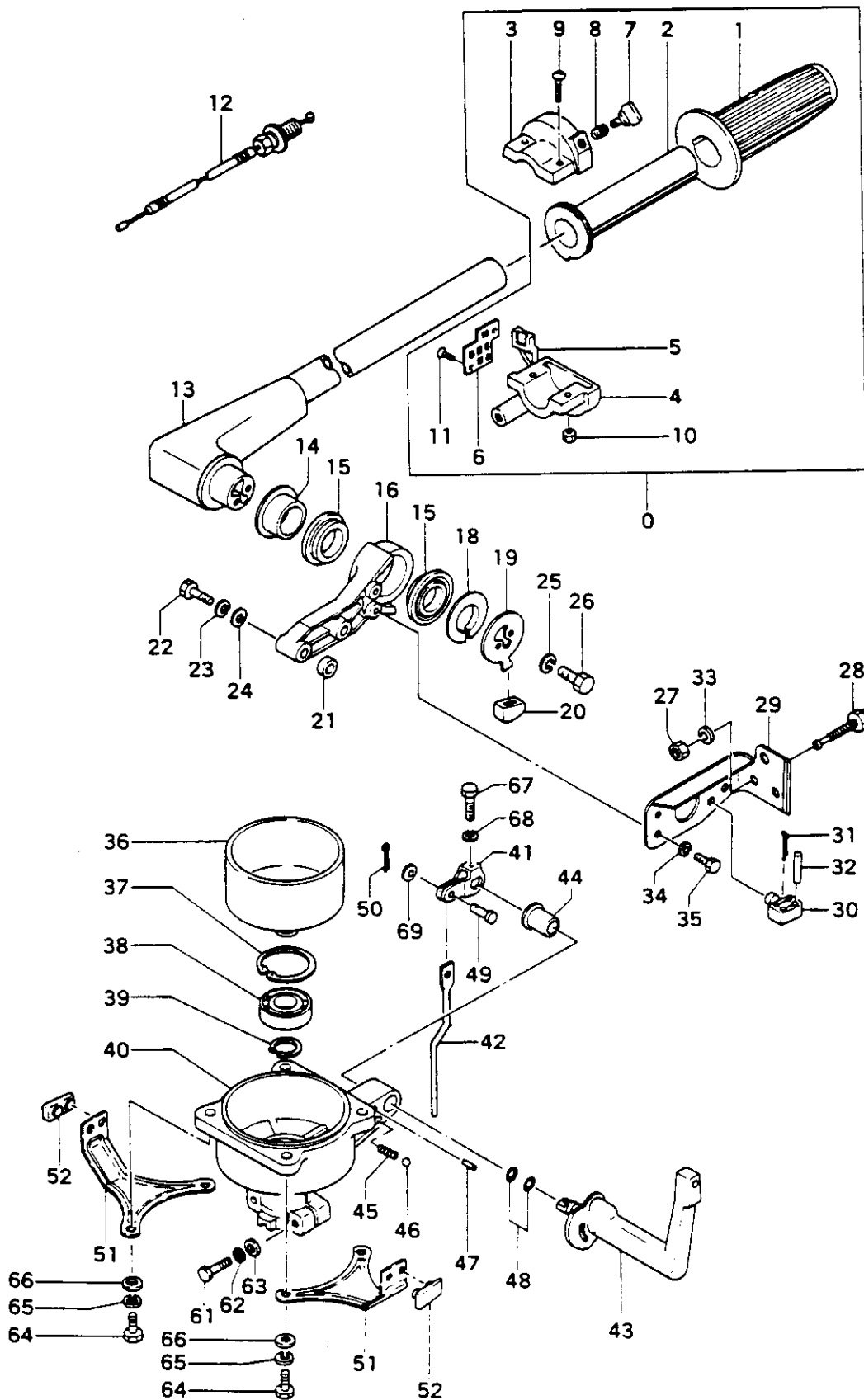
REFERENCE NUMBER	PRODUCTION PART NUMBER	PART NAME	QUANTITY	SERIAL NUMBER	SPARE PART NUMBER
FIG.4 CARBURETOR					
4-000	455-22701-901	CARBURETOR ASS'Y	1	455 2460 6	
4-001	492-22701-800	CHOKE SHAFT COMP.	1	492 0040 3	
4-002	464-22701-800	THROTTLE SHAFT COMP.	1	464 0160 5	
4-003	493-22701-200	CHOKE VALVE	1	493 0070 1	
4-004	488-22701-200	THROTTLE VALVE	1	488 0150 2	
4-005	550-22701-200	O-RING	1	550 0130 4	
4-006	437-22701-200	THROTTLE SHAFT SLEEVE	1	437 0130 6	
4-007	567-22701-200	STEEL BALL	1	567 0050 7	
4-008	433-22701-200	STOP PLATE	1	433 0010 1	
4-009	434-22701-200	STOP PLATE GASKET	1	434 0030 2	
4-010	560-22701-200	PLUG A	1	560 0140 4	
4-011	496-22701-200	CHOKE SPRING	1	496 0090 6	
4-012	462-22701-200	IDLE ADJUST SCREW	1	462 0220 6	
4-013	463-22701-200	IDLE ADJUST SPRING	1	463 0450 1	
4-014	616-22701-200	AIR SCREW SPRING	1	616 0160 6	
4-015	615-22701-200	AIR SCREW	1	615 0250 5	
4-016	438-22701-200	SLOW JET	1	438 0060 1	
4-017	537-22701-200	PLUG B	1	537 0010 0	
4-018	558-22701-200	NEEDLE VALVE CLIP	1	558 0040 4	
4-019	603-22701-200	NEEDLE VALVE	1	603 0400 9	
4-020	498-22701-200	MAIN NOZZLE	1	498 0120 4	
4-021	471-22701-200	MAIN JET	1	471 0080 8	
4-022	604-22701-800	FLOAT COMP.	1	604 0300 3	
4-023	607-22701-200	FLOAT CHAMBER GASKET	1	607 0530 1	
4-024	627-22701-200	DRAIN SCREW	1	627 0130 5	
4-025	525-22701-200	DRAIN GASKET	1	525 0110 6	
4-026	580-22701-800	FLOAT CHAMBER COMP.	1	580 0180 8	
4-027	994-34040-144	SCREW 4X14	2	994 3054 2	
4-028	544-22701-200	WIRE ADJUSTER BRACKET	1	544 0030 6	
4-029	475-22701-200	DIAPHRAGM GASKET	1	475 0160 5	
4-030	474-22701-200	DIAPHRAGM	1	474 0140 4	
4-031	575-22701-200	PUMP BODY	1	575 0240 5	
4-032	576-22701-200	PUMP DIAPHRAGM	1	576 0130 2	
4-033	577-22701-200	PUMP GASKET	1	577 0150 3	
4-034	586-22701-200	CHECK VALVE	2	586 0030 2	
4-035	602-22701-200	NEEDLE CAP	1	602 0160 5	
4-036	990-11040-081	SCREW 4X8	1	990 1026 3	
4-037	605-22701-200	HINGE PIN	1	605 0320 4	
4-038	476-22701-200	DIAPHRAGM COVER	1	476 0230 4	
4-039	594-22701-200	THROTTLE VALVE SPRING	1	594 0210 3	
4-050	994-34040-094	SCREW 4X9/S	2	994 3053 3	
4-051	489-22701-200	STOP RING	2	489 0090 4	
4-052	504-22701-200	WASHER	2	504 0140 4	
4-053	555-22701-200	THROTTLE SHAFT SCREW	1	555 0080 1	
4-054	555-22701-200	CHOKE SHAFT SCREW	2	555 0080 1	
4-055	990-15030-051	SCREW 3X5	2	990 1215 3	
4-056	994-34040-234	SCREW 4X23/S	4	994 3055 1	
4-057	994-34040-164	SCREW 4X16/S	2	994 3056 0	
4-059	991-01030-013	NUT 3	2	991 0009 4	

FIG.5 MAGNETO



REFERENCE NUMBER	PRODUCTION PART NUMBER	PART NAME	QUANTITY	SERIAL NUMBER	SPARE PART NUMBER
FIG.5 MAGNETO					
5-001	155-21620-800	MAGNETO ROTOR COMP.	1		155 1020 4
5-002	156-21620-900	STATOR ASS'Y	1		156 0260 6
5-003	170-21620-800	PRIMARY COIL COMP.	1		170 0540 5
5-004	157-21620-200	STATOR BASE	1		157 0130 9
5-005	195-21620-200	CORD CLAMP	1		195 0190 9
5-006	203-21620-200	GROMMET	1		203 0260 1
5-007	994-14040-251	SCREW 4X25/S	2		994 1134 3
5-008	994-14040-061	SCREW 4X6/S	1		994 1015 5
FOR TYPE L					
5-010	171-21620-800	LIGHTING COIL COMP.	1		171 0180 8
5-011	196-21620-200	CORD CLAMP B	1		196 0030 1
5-012	994-14040-251	SCREW 4X25/S	2		994 1134 3

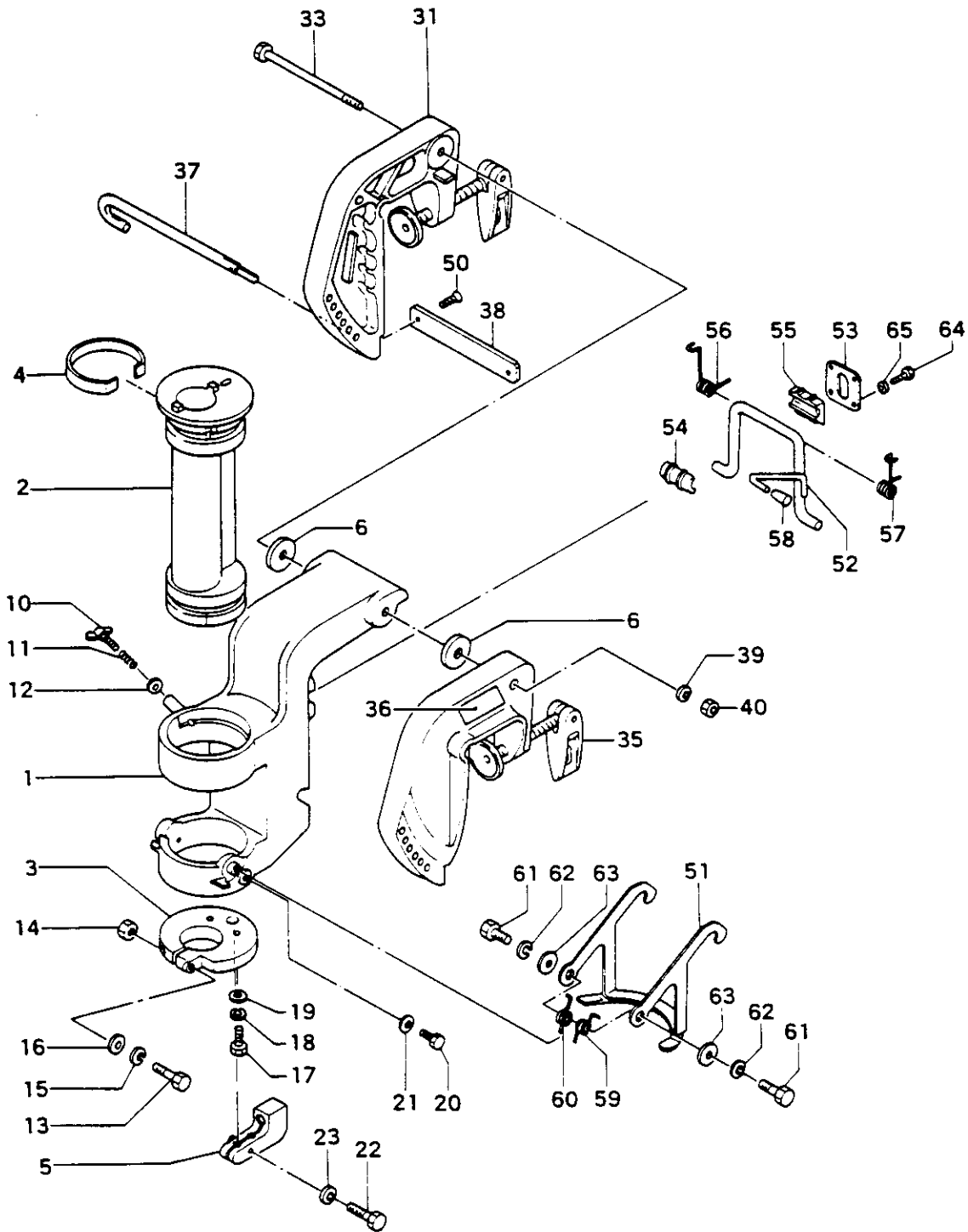
FIG.6 STEERING ARM & CLUTCH CASE



REFERENCE NUMBER	PRODUCTION PART NUMBER	PART NAME	QUANTITY	SERIAL NUMBER	SPARE PART NUMBER
FIG.6 STEERING ARM & CLUTCH CASE					
6-000	870-35552-900	TWIST GRIP ASS'Y	1		870 0470 0
6-001	871-35552-200	THROTTLE GRIP	1		871 0050 1
6-002	872-35552-200	THROTTLE INNER PIPE	1		872 0010 0
6-003	873-35552-200	THROTTLE HOLDER A	1		873 0030 1
6-004	874-35552-200	THROTTLE HOLDER B	1		874 0030 8
6-005	876-35552-200	WIRE GUIDE	1		876 0010 8
6-006	875-35552-200	THROTTLE HOLDER COVER	1		875 0020 8
6-007	877-35552-200	THROTTLE STOPPER	1		877 8010 5
6-008	878-35552-200	THROTTLE STOPPER SPRING	1		878 0010 2
6-009	990-11050-202	SCREW 5X20	2		990 1078 6
6-010	991-01050-021	NUT 5	2		991 0018 2
6-011	879-35552-200	TAPPING SCREW	2		879 0030 3
6-012	885-12700-920	THROTTLE WIRE ASS'Y	1		885 2472 4
6-013	160-35600-800	STEERING ARM COMP.	1		160 0220 9
6-014	861-35600-200	ARM SUPPORT WASHER A	1		861 0030 4
6-015	860-35600-200	ARM SUPPORT CUSHION	2		860 0040 4
6-016	167-35600-201	STEERING ARM BRACKET	1		167 0820 6
6-018	862-35600-200	ARM SUPPORT WASHER B	1		862 0030 1
6-019	161-35600-200	ARM STOP	1		161 0150 4
6-020	168-35600-201	ARM STOP CUSHION	1		168 0100 8
6-021	169-35600-200	SPACER	2	-0140501	169 0060 4
6-022	990-21080-502	HEX. BOLT 8X50	2		990 2185 8
6-023	992-10080-042	S. WASHER 8	2		992 1029 4
6-024	992-07080-041	WASHER 8	2		992 0049 9
6-025	992-10050-042	S. WASHER 5	2		992 1015 1
6-026	990-21050-152	HEX. BOLT 5X15	2		990 2183 0
6-027	991-01100-021	NUT 10	1		991 0059 9
6-028	663-35600-800	MALE COUPLING COMP.	1	-0285926	663 0060 7
6-028	663-35605-800	MALE COUPLING COMP.	1	0285927-	663 0070 4
6-029	664-35600-800	CONTROL BRACKET COMP.	1		664 0070 1
6-030	021-35100-201	PIN HOLDER	1		021 0120 0
6-031	992-90250-284	COTTER PIN 2.5X28	2		992 9014 4
6-032	012-35500-200	SHEAR PIN	2		012 0170 9
6-033	992-10100-042	WASHER 10	1		992 1049 8
6-034	992-10060-042	S. WASHER 6	2		992 1022 1
6-035	990-21060-152	HEX. BOLT 6X15	2	-0285926	990 2177 9
6-035	990-21060-162	BOLT 6X16	2	0285927-	990 2038 7
6-036	200-35600-810	CLUTCH SHAFT COMP.	1	-0285926	200 0211 4
6-036	200-35600-820	CLUTCH DRUM COMP.	1	0285927-	200 0212 3
6-037	993-51047-002	STOP RING C47 IN	1		993 5018 1
6-038	999-31620-404	BALL BEARING 620400	1		999 6161 7
6-039	993-50020-002	STOP RING C20	1		993 5006 6
6-040	185-35600-200	CLUTCH CASE	1		185 0310 6
6-041	447-35600-200	SHIFT LINK	1		447 0050 0
6-042	455-35600-200	SHIFT ROD A	1		455 2410 1
6-043	440-35600-800	SHIFT HANDLE COMP.	1		440 0060 8
6-044	186-35600-200	PLAIN BEARING	1		186 0070 6
6-045	443-35600-200	GUIDE SPRING	1		443 0070 6
6-046	673-35600-200	STEEL BALL 5/16	1		673 0100 1
6-047	999-05061-801	KNOCK PIN 6X18	1		999 0506 8
6-048	999-67009-000	O-RING P-9	2		999 6709 5
6-049	448-35600-200	SHIFT PIN	1		448 0080 8
6-050	992-90160-104	COTTER PIN	1		992 9015 3
6-051	307-35600-200	COVER HOLDER	2	0285927-	307 0410 1

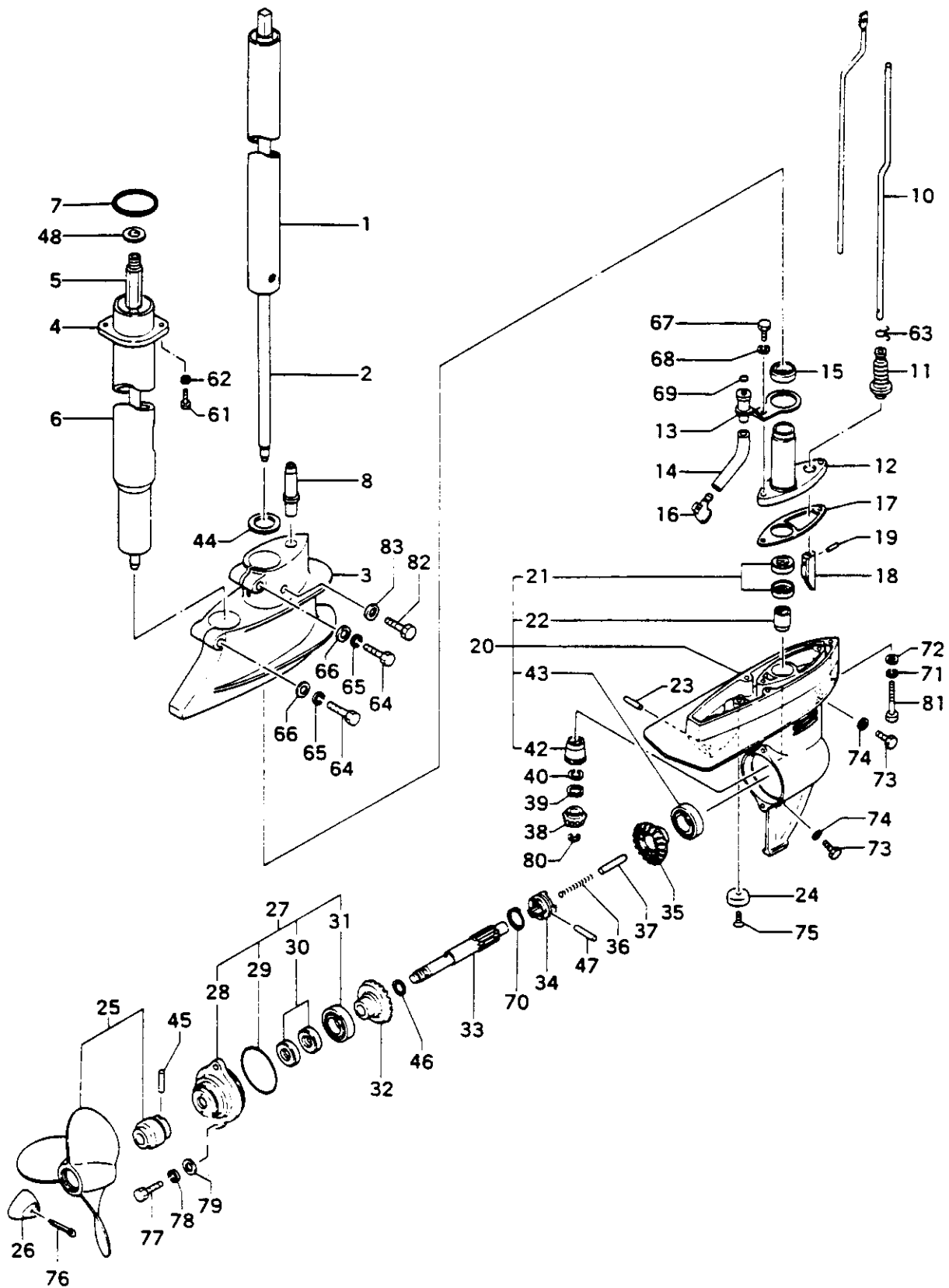
REFERENCE NUMBER	PRODUCTION NUMBER	PART NAME	QUANTITY	SERIAL NUMBER	SPARE PART NUMBER
FIG.6 STEERING ARM & CLUTCH CASE					
6-052	305-35600-200	CUSHION RUBBER	2	D285927-	305 0110 8
6-061	990-21060-302	BOLT 6X30	2		990 2052 7
6-062	992-10060-042	S.WASHER 6	2		992 1022 1
6-063	992-01060-041	WASHER 6	2		992 0043 5
6-064	990-21080-252	HEX. BOLT 8X25	4		990 2186 7
6-065	992-10080-042	S.WASHER 8	4		992 1029 4
6-066	992-01080-041	WASHER 8	4		992 0049 9
6-067	990-21040-182	HEX. BOLT 4X18	1		990 2191 9
6-068	992-10040-042	S.WASHER 4	1		992 1010 6
6-069	992-01040-041	WASHER 4	1		992 0033 8

FIG.7 TRANSOM BRACKET & CLAMP BRACKET



REFERENCE NUMBER	PRODUCTION PART NUMBER	PART NAME	QUANTITY	SERIAL NUMBER	SPARE PART NUMBER
FIG.7 TRANSOM BRACKET & CLAMP BRACKET					
7-001	115-35600-200	TRANSOM BRACKET	1		115 0270 4
7-002	131-35600-800	THRUST BRACKET COMP.	1		131 0160 2
7-003	132-35600-201	THRUST BRACKET PLATE	1		132 0460 8
7-004	151-35600-200	THRUST BRACKET CLIP	1		151 0040 1
7-005	136-35600-800	RETURN CAM COMP.	1		136 0070 1
7-006	108-35600-200	CLAMP BRACKET SPACER	2		108 0240 1
7-010	990-51060-502	WING BOLT 6X50	1		990 6020 4
7-011	152-35600-200	THRUST BRACKET SPRING	1		152 0040 8
7-012	992-01060-041	WASHER 6	1		992 0043 5
7-013	990-21050-302	BOLT 5X30	1		990 2022 6
7-014	991-01050-021	NUT 5	1		991 0018 2
7-015	992-10050-042	S.WASHER 5	1		992 1015 1
7-016	992-01050-041	WASHER 5	1		992 0038 3
7-017	990-21050-202	HEX. BOLT 5X20	2		990 2187 6
7-018	992-10050-042	S.WASHER 5	2		992 1015 1
7-019	992-01050-041	WASHER 5	2		992 0038 3
7-020	990-21060-082	BOLT 6X8	1		990 2174 2
7-021	317-02000-200	DRAIN GASKET 6	1		317 0020 9
7-022	990-21060-222	HEX. BOLT 6X22	1		990 2188 5
7-023	992-10060-042	S.WASHER 6	1		992 1022 1
7-031	107-35600-800	CLAMP BRACKET B COMP.	1		107 0420 6
7-033	990-21081-302	HEX. BOLT 8X130	1		990 2189 4
7-035	106-35600-800	CLAMP BRACKET A COMP.	1		106 0200 9
7-036	961-35600-200	MODEL NAME PLATE	1		961 0030 5
7-036	961-35605-200	MODEL NAME PLATE -TYPE L-	1		961 0040 2
7-037	122-35600-800	CLAMP BRACKET PIN COMP.	1		122 0130 5
7-038	104-35600-200	CLAMP BRACKET BAR	1		104 0060 1
7-039	992-01080-041	WASHER 8	2		992 0049 9
7-040	991-74080-020	NUT 8	1		991 7022 8
7-050	990-12050-122	SCREW 5X12	2		990 1211 7
7-051	138-35600-800	RETURN GUIDE PLATE COMP.	1		138 0150 4
7-052	100-35600-801	BRACKET STAND COMP.	1		100 0590 9
7-053	125-35600-200	BRACKET STOPPER	1		125 0110 2
7-054	098-35600-201	BRACKET STAND BUSH A	1		098 0060 5
7-055	099-35600-201	BRACKET STAND BUSH B	1		099 0050 5
7-056	102-35600-200	BRACKET STAND SPRING L	1		102 0090 8
7-057	101-35600-200	BRACKET STAND SPRING R	1		101 0140 9
7-058	097-35600-200	BRACKET STAND CAP	1		097 0060 8
7-059	139-35600-200	RETURN GUIDE SPRING R	1		139 0030 4
7-060	142-35600-200	RETURN GUIDE SPRING L	1		142 0090 0
7-061	990-21050-122	HEX. BOLT 5X12	2		990 2178 8
7-062	992-10050-042	S.WASHER 5	2		992 1015 1
7-063	144-35600-200	GUIDE PLATE WASHER	2		144 0030 2
7-064	990-21050-122	HEX. BOLT 5X12	4		990 2178 8
7-065	992-10050-042	S.WASHER 5	4		992 1015 1

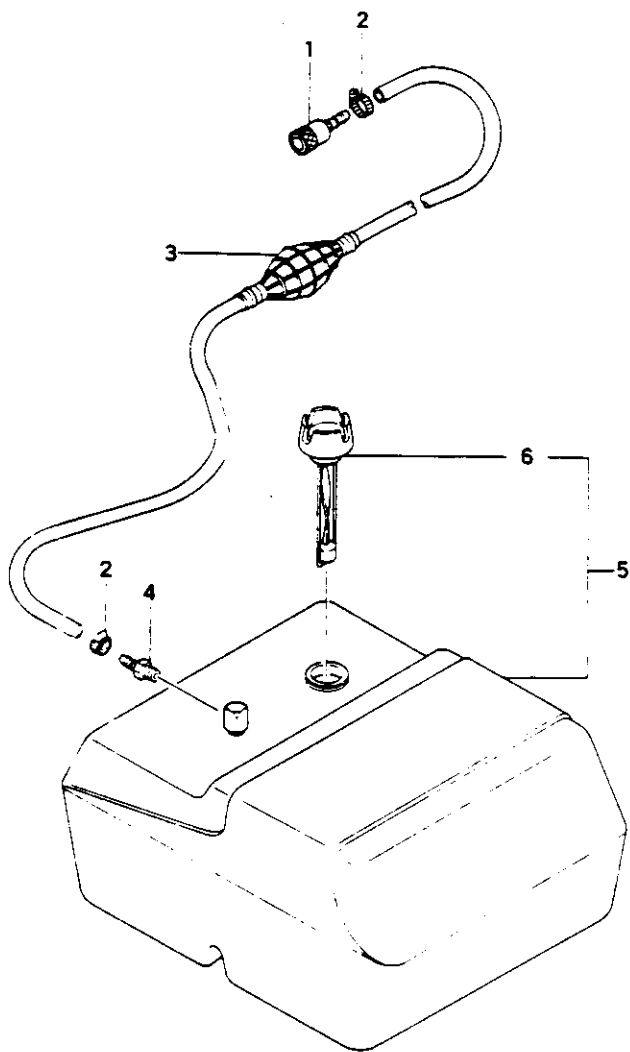
FIG. 8 LOWER GEAR CASE & PROPELLER



REFERENCE NUMBER	PRODUCTION PART NUMBER	PART NAME	QUANTITY	SERIAL NUMBER	SPARE PART NUMBER
FIG.8 LOWER GEAR CASE & PROPELLER					
8-001	090-35600-201	JOINT PIPE	1	090 0710 5	
8-001	090-35605-201	JOINT PIPE -TYPE L-	1	090 0730 9	
8-002	075-35600-800	DRIVE SHAFT COMP.	1	075 0370 4	
8-002	075-35605-800	DRIVE SHAFT COMP. -TYPE L-	1	075 0400 8	
8-003	034-35600-201	GEAR CASE HOLDER	1	034 0100 0	
8-004	226-35600-201	MUFFLER PIPE STAY	1	226 0160 5	
8-005	230-35600-801	MUFFLER INNER PIPE COMP.	1	230 0160 6	
8-005	230-35605-800	MUFFLER INNER PIPE COMP. TYPE L	1	230 0180 0	
8-006	220-35600-210	MUFFLER PIPE	1	220 0181 6	
8-006	220-35605-210	MUFFLER PIPE -TYPE L-	1	220 0211 0	
8-007	999-67045-002	O-RING	1	999 6746 6	
8-008	460-35600-200	ROD GUIDE PIPE	1	460 0270 7	
8-010	456-35600-200	LINK ROD B	1	456 0020 5	
8-010	456-35605-200	LINK ROD B -TYPE L-	1	456 0040 9	
8-011	355-35600-200	ROD GUIDE RUBBER	1	355 0040 1	
8-012	070-35600-200	DRIVE SHAFT GUIDE	1	070 0220 1	
8-013	232-35600-800	INNER PIPE BRACKET COMP.	1	232 0130 9	
8-014	700-17512-090	RUBBER PIPE 7.5X12X90	1	700 2880 5	
8-015	071-35600-200	SHAFT GUIDE PACKING A	1	071 0200 4	
8-016	755-35600-200	WATER PIPE	1	755 0060 9	
8-017	072-35600-200	SHAFT GUIDE PACKING B 0.5T	1	072 0620 7	
8-018	458-35600-200	SHIFT CAM	1	458 0130 9	
8-019	993-25003-144	SPRING PIN 3X14	1	993 2023 6	
8-020	031-35600-900	GEAR CASE ASS'Y	1	031 0660 6	
8-021	999-66122-525	OIL SEAL 12257	2	999 6666 7	
8-022	047-35600-200	PLAIN BEARING S	1	047 0140 2	
8-023	993-25025-224	SPRING PIN 2.5X22	1	993 2026 3	
8-024	915-35600-200	ANODE	1	915 0380 2	
8-025	010-35600-800	PROPELLER COMP.	1	010 0581 3	
8-026	009-35600-800	PROPELLER CAP COMP.	1	009 0170 5	
8-027	046-35600-900	GEAR CASE COVER ASS'Y	1	046 1100 6	
8-028	046-35600-200	GEAR CASE COVER	1	046 1110 3	
8-029	999-67055-012	O-RING S-55	1	999 6744 8	
8-030	999-66132-825	OIL SEAL 13287	2	999 6667 6	
8-031	999-61600-400	BALL BEARING #6004	1	999 6119 4	
8-032	055-35600-800	REVERSE GEAR COMP.	1	055 0130 4	
8-033	019-35600-200	PROPELLER SHAFT	1	019 0170 8	
8-034	068-35600-200	DOG CLUTCH	1	068 0240 8	
8-035	017-35600-800	FRONT GEAR COMP.	1	017 0510 4	
8-036	470-35600-200	REVERSE SPRING	1	470 0090 8	
8-037	471-35600-200	REVERSE ROD	1	471 0070 1	
8-038	060-35600-200	PINION GEAR	1	060 0480 6	
8-039	067-35600-200	PINION WASHER IT	1	067 0140 8	
8-040	073-35600-200	DRIVE SHAFT CLIP	1	073 0020 6	
8-042	032-35600-200	PLAIN BEARING L	1	032 0170 5	
8-043	999-61600-400	BALL BEARING #6004	1	999 6119 4	
8-044	091-35600-200	JOINT PIPE PACKING	1	091 0190 0	
8-045	012-35600-200	SHEAR PIN	1	012 0170 9	
8-046	176-35600-200	PROPELLER SHAFT SHIM 1.4	1	176 0060 6	
8-047	472-35600-200	SHIFT ROD	1	472 0040 7	
8-048	235-35600-200	INNER PIPE GASKET	1	235 0080 2	
8-061	990-21050-152	HEX. BOLT 5X15	2	990 2183 0	
8-062	992-10050-042	S.WASHER 5	2	992 1015 1	
8-063	680-12700-210	CLIP 8	1	680 0321 2	

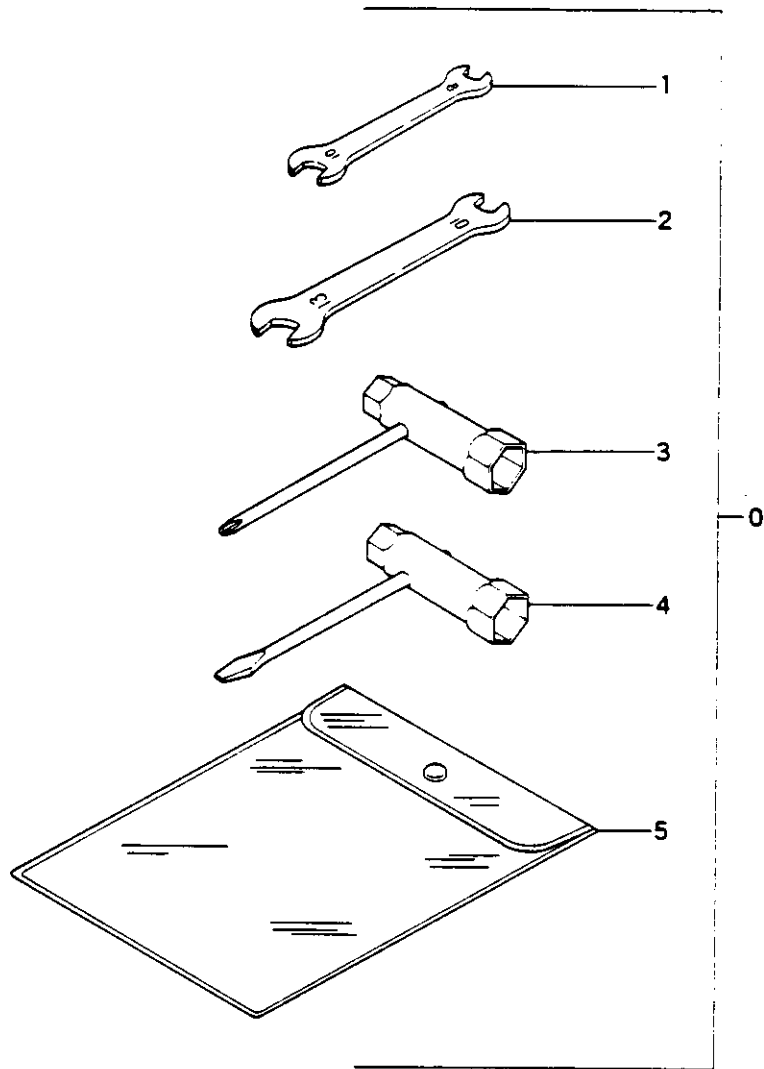
REFERENCE NUMBER	PRODUCTION PART NUMBER	PART NAME	QUANTITY	SERIAL NUMBER	SPARE PART NUMBER
FIG.3 LOWER GEAR CASE & PROPELLER					
8-064	990-21080-352	HEX. BOLT 8X35	2		990 2190 0
8-065	992-10080-042	S.WASHER 8	2		992 1029 4
8-066	992-01080-041	WASHER 8	2		992 0049 9
8-067	990-21060-252	HEX. BOLT 6X25	2		990 2047 5
8-068	992-10060-042	S.WASHER 6	2		992 1022 1
8-069	999-67008-000	O-RING P8	1		999 6708 6
8-070	473-35600-200	ROD SPRING	1		473 0130 0
8-071	992-10060-042	S.WASHER 6	3		992 1022 1
8-072	992-01060-041	WASHER 6	3		992 0043 5
8-073	990-21080-102	BOLT 8X10	2		990 2193 7
8-074	316-12700-200	DRAIN GASKET	2		316 0090 1
8-075	990-12060-152	SCREW 6X15	1		990 1213 5
8-076	992-90250-284	COTTER PIN 2.5X28	1		992 9014 4
8-077	990-21060-182	BOLT 6X18	2		990 2173 3
8-078	992-10060-042	S.WASHER 6	2		992 1022 1
8-079	992-01060-041	WASHER 6	2		992 0043 5
8-080	993-55060-000	STOP RING E6	1		993 5028 8
8-081	990-21060-402	BOLT 6X40	3		990 2196 4
8-082	990-21050-122	HEX. BOLT 5X12	1	0140502-	990 2178 8
8-083	317-11401-200	GROMMET GASKET	1	0140502-	317 0040 3

FIG.9 FUEL TANK & FUEL LINE



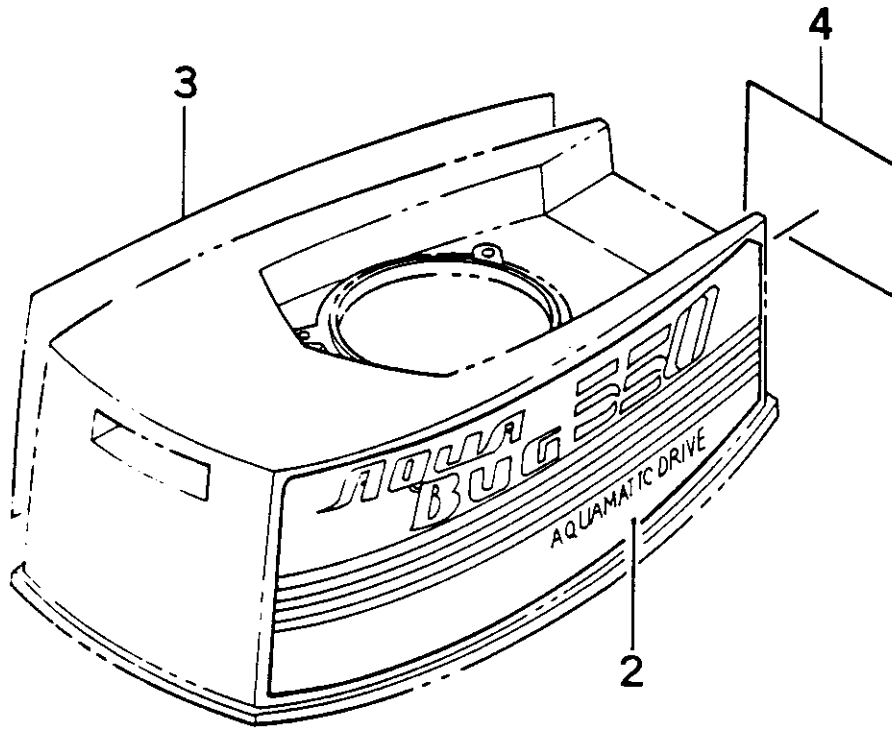
REFERENCE NUMBER	PRODUCTION PART NUMBER	PART NAME	QUANTITY	SERIAL NUMBER	SPARE PART NUMBER
FIG.9 FUEL TANK & FUEL LINE					
9-001	666-35600-800	FEMALE COUPLING COMP.	1	-0285926	666 0050 1
9-001	666-35605-800	FEMALE COUPLING COMP.	1	0285927-	666 0060 8
9-002	601-35600-200	HOSE CLAMP	2		601 0160 8
9-003	667-35600-800	FUEL PRIMARY PUMP COMP.	1		667 0130 7
9-004	592-35600-200	FUEL TANK COUPLING	1		592 1220 5
9-005	401-35600-900	FUEL TANK ASS'Y - N.L.A.	1		401 0090 4
9-006	595-35600-800	TANK CAP COMP.	1		595 0620 9

FIG.10 TOOLS



REFERENCE NUMBER	PRODUCTION PART NUMBER	PART NAME	QUANTITY	SERIAL NUMBER	SPARE PART NUMBER
FIG.10 TOOLS					
10-000	985-35600-900	TOOL KIT	1		
10-001	801-20000-200	SPANNER 8X10	1	985 3016 6	
10-002	808-20000-200	SPANNER 10X13	1	801 0060 7	
10-003	829-20000-800	COMBI. BOX W/PLUS DRIVER 13X19	1	808 0010 1	
10-004	828-20000-800	COMBI. BOX W/MINUS DRIVER 14X21	1	829 0020 1	
10-005	948-32352-200	TOOL BAG	1	828 0000 0	
				948 0020 1	

FIG.2 MUFFLER, CLUTCH & REED VALVE



REFERENCE NUMBER	PRODUCTION PART NUMBER	PART NAME	QUANTITY	SERIAL NUMBER	SPARE PART NUMBER
FIG.2 MUFFLER, CLUTCH & REED VALVE					
2-002	331-35601-201	SIDE MARK L	1		331 0450 6
2-003	330-35601-202	SIDE MARK R	1		330 0390 4
2-004	906-35601-201	NAME PLATE	1		906 2560 6

Part No	Description	US Retail	S	D	Part No	Description	US Retail	S	D
0020050120	CYLINDER	\$64.35	C	b	03900000201	CIRCLIP,PISTON PIN	\$0.81	A	b
00201046800	CYLINDER	\$81.95	D	b	03901000200	CIRCLIP,PISTON PIN	\$0.76	D	b
0021020081	CYLINDER	\$92.95	C	b	03902000201	CIRCLIP,PISTON PIN	\$0.81	A	b
00212700200	CYLINDER	\$191.02	D	b	03912700201	CIRCLIP,PISTON PIN	NLA	\$1.30	E b
00535100800	SHAFT,PROPELLER	\$71.40	C	b	03935100203	HOLDER,BEARING	\$1.39	C	b
00935600800	CAP,PROPELLER	NLA	\$14.53	E b	03935500200	HOLDER,BEARING	\$2.55	C	b
01035118200	PROPELLER	NLA	\$42.75	E b	04001000201	RING,PISTON	\$12.64	C	b
01035555200	PROPELLER	\$53.31	B	b	04010100200	RING,PISTON, TOP	\$12.79	A	b
01035600800	R-B 01035600810 PROP	\$62.46	F	b	04012700200	RING,PISTON	\$15.27	D	b
01035600810	R-B 01035600820 PROP	\$62.46	F	b	04100000210	R-B 04100000212 RING	\$6.82	F	b
01135100201	PIN,COTTER	\$0.97	C	b	04101000201	RING,PISTON,LOWER	\$7.46	B	b
01235100201	PIN,SHEAR,TOB	\$0.87	A	b	04110100201	RING,PISTON	\$6.82	A	b
01235500200	PIN,SHEAR	\$0.87	A	b	04535100801	COVER,GEAR CASE	\$48.65	C	b
01435100201	SHIM,9.3X18X1.0	\$0.76	C	b	04600501803	CRANKSHAFT	\$127.05	D	b
01435100250	SHIM,9.3X25X1.0	\$0.76	D	b	04600557801	CRANKSHAFT	\$127.05	D	b
01535100200	SHIM,9.3X18X.10	\$0.76	C	b	04601003804	CRANKSHAFT	NLA	\$121.28	E b
01535100250	SHIM,9.3X25X.10	\$0.76	C	b	04601058800	CRANKSHAFT	\$159.53	D	b
01601046200	SHROUD,CYLINDER	NLA	\$24.21	E b	04610201802	CRANKSHAFT	NLA	\$193.81	E b
01610201201	R-B 01610205201 SHROUD	\$24.67	F	b	0461024280	CRANKSHAFT	\$132.83	D	b
01612700200	COVER,CYLINDER	NLA	\$76.47	E b	04610242800	R-B 0461024280 CRANKSHAFT	\$132.83	F	b
01635100201	SHIM,9.3X18X.20	\$0.76	C	b	04612700800	CRANKSHAFT	NLA	\$230.80	E b
01635100250	SHIM,9.3X25X.20	NLA	\$0.76	E b	04635500200	COVER,GEAR CASE	\$35.75	C	b
01700501202	GASKET,CYLINDER	\$2.04	B	b	04635600200	COVER,GEAR CASE	NLA	\$49.62	E b
01701000204	GASKET,CYLINDER	\$1.69	C	b	04635600900	COVER,GEAR CASE ASS'Y	NLA	\$86.61	E b
0171020021	GASKET,CYLINDER	\$1.93	A	b	04735600200	BEARING,PLAIN	NLA	\$29.25	E b
01712700201	GASKET,CYLINDER	NLA	\$1.84	E b	04835100203	GASKET,GEAR CASE	\$1.17	A	b
01735600800	GEAR,FRONT	NLA	\$83.99	E b	04835500202	GASKET,CASE,GEAR	\$1.45	A	b
01736120201	GEAR	NLA	\$39.48	E b	05535600800	GEAR,REVERSE	\$83.55	D	b
01801805200	PLUG,SPARK	\$4.95	B	b	06035100205	PINION	\$40.49	C	b
01812700200	PLUG,SPARK	NLA	\$4.95	E b	06035300200	PINION	\$32.88	C	b
01935500201	R-B 01935500202 SHAFT	\$26.27	F	b	06035600200	PINION	NLA	\$30.00	E b
01935600200	SHAFT,PROPELLER	NLA	\$150.52	E b	06135100201	PIN,PINION	\$1.17	C	b
02135100201	HOLDER,PIN	NLA	\$1.30	E b	06135500200	PIN,PINION,4X16	\$0.97	C	b
02235100200	SHIM,9.3X18X.30	\$0.76	C	b	06235100202	COLLAR,PINION	\$1.95	D	b
02235100250	SHIM,9.3X25X.30	\$0.76	C	b	06235500200	COLLAR,PINION	\$1.95	C	b
02535500200	PIN,GEAR	\$1.84	C	b	06335100200	SHIM,8.3X20X.50	\$0.76	D	b
02635100201	COLLAR,GEAR	\$4.82	D	b	06335500200	SHIM,10.3X24X.50	\$0.76	C	b
02635500200	COLLAR,GEAR	\$6.50	D	b	06435100200	SHIM,8.3X20X.10	\$0.76	C	b
02712700200	SPACER,CYLINDER	\$4.94	D	b	06435500200	SHIM,10.3X24X1.0	\$0.76	C	b
03035100900	CASE,GEAR,ASS'Y	NLA	\$70.95	E b	06500000200	WASHER,FLYWHEEL	\$0.76	D	b
03100500200	PISTON	\$36.55	C	b	06535100201	SHIM,8.3X20X1.5	\$1.30	D	b
03101000200	PISTON	\$40.05	D	b	06535500200	SHIM,10.3X24X1.5	\$0.76	C	b
03110100210	PISTON	\$46.75	A	b	06600000200	NUT,FLYWHEEL	\$0.76	C	b
03112700200	PISTON	NLA	\$66.59	E b	06635100200	SHIM,8.3X20X.20	\$0.76	D	b
03135500900	CASE,GEAR ASSY	\$115.40	C	b	06635500200	SHIM,10.3X24X.20	\$0.76	C	b
03135600900	CASE,GEAR ASS'Y	NLA	\$211.81	E b	06735600200	WASHER,PINION	\$2.04	D	b
03235100205	BEARING,PLAIN L	\$9.46	C	b	06802000200	KEY,WOODRUFF,3X13X5	\$1.08	C	b
03235500210	BEARING,PLAIN,L	\$14.85	C	b	06835600200	DOG,CLUTCH	NLA	\$56.99	E b
03235600200	BEARING,PLAIN,L	NLA	\$38.08	E b	07000601201	WASHER,CRANKSHAFT 12X18	\$0.76	D	b
03435500201	HOLDER,GEAR CASE	\$48.29	D	b	07002401201	WASHER,CRANKSHAFT 15X22	\$0.76	C	b
03435600201	HOLDER,GEAR CASE	NLA	\$72.33	E b	07035600200	GUIDE,DRIVE SHAFT	NLA	\$42.13	E b
03700000200	PIN,PISTON	\$6.13	C	b	07102007200	SHIM,15.2X20X.05	\$0.76	D	b
0370100020	PIN,PISTON	\$5.87	C	b	07102007210	SHIM,15.2X20X.10	\$0.76	C	b
03710100200	PIN,PISTON,10X35	\$4.94	B	b	07102007220	SHIM,15.2X20X.15	\$0.76	D	b
03712700200	PIN,PISTON	NLA	\$7.22	E b	07111600230	SHIM,16X21X.20	\$0.76	D	b
03800000200	BUSHING,PISTON PIN	\$6.48	C	b	07111600240	SHIM,16X21X.30	\$0.76	C	b

Part No	Description	US Retail	S	D	Part No	Description	US Retail	S	D
07112100200	SHIM,20.7X26X.05	\$0.76	D	b	12235600800	PIN,BRACKET,CLAMP	\$26.10	D	b
07135600200	PACKING,SHAFT GUIDE A	NLA \$1.95	E	b	12335500201	PIN,BRACKET S	\$5.48	B	b
07200557900	CRANKCASE,ASS'Y	\$126.95	D	b	12535600200	STOPPER,BRACKET	NLA \$2.62	E	b
07201058900	CRANKCASE,ASS'Y	\$144.38	D	b	12712700200	FAN	NLA \$45.82	E	b
07210201900	CRANKCASE ASSY	\$171.15	D	b	12935100201	STOPPER,BRACKET PIN A	\$0.76	C	b
0721024291	CRANKCASE ASSY	\$171.15	D	b	13135118200	BRACKET,THRUST	\$2.72	C	b
07212700901	CRANKCASE,ASS'Y	NLA \$218.30	E	b	13135306200	BUSHING,THRUST	\$2.72	C	b
07235600200	PACKING,SHAFT GUIDE	NLA \$1.95	E	b	13135600800	BRACKET,THRUST	NLA \$60.45	E	b
07335600200	CLIP,DRIVE SHAFT	\$1.17	D	b	13235600201	PLATE,BRACKET,THRUST	NLA \$19.34	E	b
07535100206	SHAFT,DRIVE	\$21.19	C	b	13435109201	PLATE,ADJUSTING	NLA \$19.60	E	b
07535300800	SHAFT,DRIVE	\$38.17	C	b	13435500201	WASHER,THRUST	\$4.92	D	b
07535600800	DRIVE SHAFT 562MM	NLA \$87.69	E	b	13635500201	CAM,RETURN	\$25.22	C	b
07535605800	DRIVE SHAFT 676MM	NLA \$44.00	E	b	13635600800	CAM,RETURN	NLA \$12.41	E	b
07635100203	PIN,DRIVE	\$1.30	C	b	13735500201	GUIDE,RETURN CAM	NLA \$11.56	E	b
07935100801	ADAPTER	\$21.76	C	b	13835500201	PLATE,RETURN GUIDE	NLA \$12.64	E	b
08135100200	BEARING,DRIVE SHAFT	\$13.19	C	b	13835600800	PLATE,RETURN GUIDE	NLA \$42.93	E	b
08635100200	CLIP,BEARING HOLDER	\$1.08	C	b	13935500200	SPRING,RETURN	NLA \$0.76	E	b
08635500200	CLIP,BEARING HOLDER	\$0.76	C	b	13935600200	SPRING,RETURN GUIDE,R	NLA \$2.04	E	b
09000501203	GASKET,CRANKCASE	\$1.45	C	b	14235600200	SPRING,RETURN GUIDE,L	NLA \$2.04	E	b
09001000200	GASKET,CRANKCASE	\$2.22	D	b	14435600200	WASHER,PLATE,GUIDE	NLA \$1.17	E	b
09010200203	R-B 0901020021 GASKET	\$1.95	F	b	14535118200	HOLDER,JOINT PIPE	\$31.15	C	b
0901020021	GASKET,CRANKCASE	\$1.95	C	b	15035109200	WASHER,THRUST	\$4.92	D	b
09012700200	GASKET,CRANKCASE	NLA \$2.04	E	b	15135600200	CLIP,THRUST BRACKET	NLA \$4.69	E	b
09035118900	PIPE,JOINT,ASS'Y	\$52.73	C	b	15235600200	SPRING,THRUST BRACKET	\$1.08	D	b
09035306900	PIPE,DRIVE SHAFT ASSY	\$69.80	C	b	15321620800	COIL,IGNITION	NLA \$134.59	E	b
09035600201	R-B 09035600202 PIPE	\$111.19	F	b	15521620800	ROTOR,MAGNETO	NLA \$215.20	E	b
09035605201	R-B 09035605202 PIPE	\$154.39	F	b	15521708900	ROTOR,MAGNETO ASS'Y	\$86.58	D	b
09135100202	GASKET,DRIVE SHAFT PIPE	\$0.76	C	b	15521711900	ROTOR,MAGNETO ASS'Y	\$74.50	C	b
09135500200	GASKET,DRIVE SHAFT PIPE	\$0.76	C	b	15521717801	ROTOR,MAGNETO	\$86.35	C	b
09135600200	PACKING,JOINT PIPE	NLA \$0.76	E	b	15521737900	ROTOR,MAGNETO ASS'Y	\$63.26	D	b
09735600200	CAP,BRACKET STAND	NLA \$1.32	E	b	15621620900	STATOR,ASS'Y	NLA \$143.17	E	b
09835600201	BUSHING,BRACKET STAND A	NLA \$2.10	E	b	15701570900	CAP,SPARK PLUG,ASSEMBLY	\$4.39	B	b
09935600201	BUSHING,STAND,BRACKET,B	NLA \$2.10	E	b	15712700900	CAP,SPARK PLUG ASS'Y	NLA \$4.14	E	b
10001000200	BOLT,STUD,6X29	\$0.76	D	b	15721620200	BASE,STATOR	NLA \$48.96	E	b
10012700200	BOLT,STUD,8X33	NLA \$10.10	E	b	15920201901	BREAKER,CONTACT ASSEMBLY	NLA \$44.03	E	b
10012701200	BOLT,STUD,6X50	NLA \$4.14	E	b	15920701901	BREAKER,CONTACT ASS'Y	\$34.13	C	b
10035600801	STAND,BRACKET	NLA \$31.01	E	b	15920702900	BREAKER,CONTACT ASS'Y	NLA \$28.83	E	b
10135600200	SPRING,BRACKET STAND R	NLA \$4.94	E	b	15921401870	R-B 15921401872 IGNITOR	\$75.09	F	b
10235600200	SPRING,BRACKET STAND L	NLA \$4.94	E	b	16035118901	HANDLE,STEERING ASS'Y	\$38.17	D	b
10435600200	BAR,CLAMP BRACKET	NLA \$11.97	E	b	16035500900	HANDLE,STEERING ASSEMBLY	\$24.75	D	b
10635119801	BRACKET	\$52.17	C	b	16035552800	HANDLE,STEERING	NLA \$24.75	E	b
10635600800	BRACKET,CLAMP A	NLA \$74.93	E	b	16035600800	ARM,STEERING	NLA \$67.91	E	b
10735118801	BRACKET,CLAMP,B	NLA \$63.70	E	b	16135118200	STOPPER,HANDLE	\$2.82	D	b
10735600800	BRACKET,CLAMP B	NLA \$74.93	E	b	16135500202	STOPPER,HANDLE	\$4.14	C	b
10835501200	BUSHING,CLAMP BRACKET	\$1.84	C	b	16135600200	STOPPER,ARM	NLA \$7.71	E	b
10835600200	SPACER,CLAMP BRACKET	\$3.88	D	b	16235118200	WASHER,HANDLE	\$1.17	D	b
11200501203	CASE,FAN	\$59.13	D	b	16235500200	WASHER,HANDLE	\$0.76	D	b
1120051Q200	CASE,FAN	NLA \$36.42	E	b	16335118200	BOLT,HANDLE MOUNTING	\$4.41	C	b
11201046200	CASE,FAN	\$80.58	D	b	16635118200	PIN,SNAP	NLA \$0.76	E	b
11201058200	CASE,FAN	\$80.58	D	b	16720748800	COIL,IGNITION	NLA \$54.12	E	b
11210242200	CASE,FAN	\$78.68	D	b	16720751801	COIL,IGNITION	\$61.55	C	b
11212700810	CASE,FAN	NLA \$161.30	E	b	16720753800	COIL,IGNITION	NLA \$55.35	E	b
11335109200	HOLDER,BRACKET PIN	NLA \$9.32	E	b	16720759800	COIL,IGNITION	NLA \$66.35	E	b
11535300210	BRACKET	\$73.25	C	b	16721951800	COIL,IGNITION	\$90.88	C	b
11535500204	BRACKET	NLA \$75.04	E	b	16721954800	COIL,IGNITION	\$86.35	B	b
11535600200	BRACKET,TRANSOM	NLA \$87.73	E	b	16735600201	BRACKET,STEERING ARM	NLA \$53.25	E	b

Part No	Description	US Retail	S	D	Part No	Description	US Retail	S	D
16835600201	CUSHION,ARM	NLA	\$2.04	E b	22635100201	STAY,MUFFLER PIPE A	\$1.77	D	b
16935600200	SPACER	NLA	\$4.94	E b	22635500200	STAY,PIPE A	\$3.38	D	b
17001046800	BUTTON,STOP		\$9.32	D b	22635600201	STAY,MUFFLER PIPE	NLA	\$23.19	E b
17010218800	BUTTON,STOP	NLA	\$7.40	E b	22735100203	STAY,MUFFLER PIPE B	\$14.86	D	b
17010242800	BUTTON,STOP		\$7.40	D b	22735500200	STAY,MUFFLER PIPE B	\$19.15	D	b
17021620800	COIL,PRIMARY	NLA	\$78.80	E b	23035600801	PIPE,MUFFLER INNER	NLA	\$26.06	E b
17121620800	COIL,LIGHTING	NLA	\$33.54	E b	23035605800	PIPE,INNER,MUFFLER	NLA	\$31.45	E b
17135500201	SHIM,10.1X16X0.10		\$0.76	C b	23235600800	BRACKET,INNER PIPE	NLA	\$28.77	E b
17300801801	CORD,PRIMARY		\$2.72	D b	23535600200	GASKET,INNER PIPE		\$0.97	D b
17301046800	CORD,PRIMARY		\$2.97	D b	24620701201	CAM,MAGNETO		\$7.40	D b
17301058800	CORD,PRIMARY		\$4.49	D b	24701000201	SPRING,SUPPORT,CAM		\$0.76	C b
17320702804	CORD,PRIMARY	NLA	\$3.60	E b	25601046200	COVER,SPARK PLUG		\$2.29	C b
17335500200	SHIM,10.1X16X.20		\$0.76	C b	26237101200	SPRING,STOP SWITCH		\$3.65	C b
17435500200	SHIM,10.1X16X.30		\$0.76	D b	26612700200	COVER,STOP BUTTON		\$1.17	C b
17512700900	TERMINAL,RED	NLA	\$5.41	E b	27410242800	CORD,GROUND		\$2.50	C b
17535500200	SHIM,10.1X16X1.0		\$0.76	D b	29010112802	ARM,CLUTCH		\$18.02	A b
17612700900	TERMINAL,EARTH,BLACK	NLA	\$4.94	E b	29012700800	ARM,CLUTCH	NLA	\$20.79	E b
17635600200	SHIM,PROPELLER SHAFT,1.4	NLA	\$2.04	E b	30035100200	R-B 3003510090 SHROUD		\$43.75	F b
17720701801	CONDENSER		\$14.95	C b	30035300202	SHROUD,ENGINE,WHITE	NLA	\$26.95	E b
17810100800	CORD,STOP	NLA	\$2.18	E b	30035500201	R-B 30035505200 SHROUD		\$59.13	F b
18001004200	NUT,7		\$2.72	C b	30035558200	R-B 40170 SHROUD W/DECALS		\$26.95	F b
18101004200	WASHER,SPECIAL		\$0.76	C b	30035600200	SHROUD,ENGINE	NLA	\$144.46	E b
18535300204	CASE,CLUTCH	NLA	\$42.35	E b	30535500200	CUSHION		\$6.04	C b
18535600200	R-B 18535600201 CASE		\$96.00	F b	30535600200	CUSHION,HOLDER	NLA	\$3.49	E b
18635600200	BEARING,PLAIN		\$25.39	D b	30735600200	HOLDER,COVER	NLA	\$11.97	E b
18912700200	TERMINAL,RED	NLA	\$3.38	E b	31021620800	RECTIFIER	NLA	\$53.64	E b
19012700200	TERMINAL,BLACK	NLA	\$2.04	E b	31612700200	GASKET,DRAIN	NLA	\$0.76	E b
19100501201	COVER,CONTACT POINT	NLA	\$4.06	E b	31702000200	R-B 72701040201 GASKET		\$0.76	F b
19101047200	COVER,CONTACT POINT		\$8.81	D b	31711401200	GASKET,GROMMET		\$0.64	D b
19110201200	COVER,CONTACT POINT		\$1.95	D b	33000200210	SHIM,12.2X19X.10		\$0.76	C b
19521620200	CLAMP,CORD	NLA	\$1.84	E b	33000200230	SHIM,12.2X19X.20		\$0.76	C b
19621620200	CLAMP,CORD,B	NLA	\$1.84	E b	33000200240	SHIM,12.2X19X.30		\$0.76	C b
19800501200	CLAMP,CORD	NLA	\$1.17	E b	33035115200	DECAL,RIGHT	NLA	\$13.06	E b
19801046900	R-B 19801046200 CLAMP		\$0.76	F b	33035551200	DECAL,RIGHT		\$13.06	C b
19805015800	CLAMP,CORD		\$0.76	C b	33035600202	DECAL,RIGHT	NLA	\$34.00	E b
19811109200	CLAMP,CORD		\$0.76	D b	33035601202	DECAL,RIGHT		\$34.00	D b
20035300800	SHAFT,CLUTCH		\$41.15	C b	33135115200	DECAL	NLA	\$13.06	E b
20035600810	R-B 20035600820 SHAFT		\$126.91	F b	33135551200	DECAL,LEFT		\$13.06	C b
20035600820	SHAFT,CLUTCH	NLA	\$126.91	E b	33135600201	DECAL,LEFT	NLA	\$34.00	E b
20201003201	GROMMET,SECONDARY CORD		\$0.76	C b	33135601201	DECAL,LEFT	NLA	\$34.00	E b
20210200201	GROMMET,SECONDARY CORD		\$0.97	C b	33301046200	BASE,CLUTCH HOLDING		\$38.86	D b
20301000201	GROMMET,PRIMARY CORD		\$0.76	D b	33635115200	DECAL,STARTER	NLA	\$1.89	E b
20301225201	GROMMET		\$0.76	D b	34210205220	SPRING,CLUTCH		\$2.27	A b
20321620200	GROMMET	NLA	\$3.18	E b	34212700220	SPRING,CLUTCH	NLA	\$4.92	E b
20500501200	TAB,TERMINAL		\$0.76	D b	34701046201	FLANGE,CLUTCH		\$33.06	C b
21035300800	SPRING,CLUTCH		\$11.40	C b	34712700800	FLANGE,CLUTCH	NLA	\$46.78	E b
21035600810	R-B 21035600820 SPRING		\$15.27	F b	35535600200	GUIDE,ROD,RUBBER	NLA	\$3.84	E b
21035600820	SPRING,CLUTCH	NLA	\$15.27	E b	35710112204	BOLT,CLUTCH STEP		\$7.22	A b
22035100203	PIPE,MUFFLER	NLA	\$36.75	E b	35712700200	BOLT,CLUTCH STEP	NLA	\$10.54	E b
22035300200	PIPE,MUFFLER		\$37.63	C b	35810112201	WASHER,CLUTCH		\$0.83	A b
22035600210	PIPE,MUFFLER	NLA	\$77.45	E b	35910112203	WASHER,CLUTCH B		\$0.81	A b
22035605210	PIPE,MUFFLER (L)	NLA	\$69.05	E b	39001046200	MANIFOLD,INLET		\$5.29	D b
22135100200	GASKET,MUFFLER PIPE		\$1.49	C b	39300004201	MANIFOLD,INLET		\$4.82	C b
22135500200	GASKET,MUFFLER PIPE	NLA	\$1.90	E b	39300005203	MANIFOLD,INLET		\$3.21	D b
22535100203	STAY,MUFFLER PIPE		\$13.06	D b	39302500201	MANIFOLD,INLET		\$15.97	C b
22535500200	STAY,MUFFLER PIPE		\$17.15	D b	39312700201	BODY,INTAKE	NLA	\$21.44	E b

Part No	Description	US Retail	S	D	Part No	Description	US Retail	S	D
39401202201	VALVE, REED	NLA	\$2.72	E b	49322701200	VALVE, CHOKE	NLA	\$3.49	E b
39412700210	VALVE, REED	NLA	\$4.49	E b	49512700801	CABLE, IDLE ADJUST	NLA	\$21.19	E b
39501225200	HOLDER, REED		\$1.30	D b	49622701200	SPRING, CHOKE	NLA	\$2.44	E b
39512700211	GUIDE, REED VALVE	NLA	\$4.41	E b	49712700200	BRACKET, CABLE	NLA	\$4.14	E b
39701202201	SEAT, REED VALVE		\$5.29	D b	49812700200	KNOB, IDLE ADJUST	NLA	\$2.74	E b
39712700210	SEAT, REED VALVE	NLA	\$6.04	E b	49822701200	NOZZLE, MAIN	NLA	\$25.22	E b
39801000202	GASKET, REED VALVE SEAT	NLA	\$0.76	E b	50012700200	BRACKET, IDLE ADJUST KNOB	NLA	\$3.49	E b
39812700200	GASKET, REED VALVE SEAT	NLA	\$1.32	E b	50021700200	GASKET, BANJO		\$1.64	D b
39901000200	COLLAR, REED VALVE		\$0.76	D b	50022901200	GASKET, FIBER		\$0.76	C b
39901000210	SPACER, BS-3 REED VALVE	NLA	\$0.76	E b	50022905200	GASKET, FUEL INLET		\$2.04	D b
39901000220	SPACER, REED VALVE, CS-3	NLA	\$0.76	E b	50121700900	R-B 50120110200 BOLT		\$12.11	F b
39901000230	SPACER, REED VALVE, DS-3	NLA	\$0.76	E b	50122900200	BOLT, BANJO		\$13.06	D b
40135100204	TANK, FUEL		\$23.30	C b	50212700200	CABLE, CONNECT IDLE ADJUST	NLA	\$2.44	E b
40135300200	TANK, FUEL	NLA	\$23.96	E b	50422701200	WASHER	NLA	\$1.45	E b
40135500200	TANK, FUEL		\$34.34	A b	50612700200	SPRING, IDLE ADJUST	NLA	\$1.08	E b
40135600900	TANK, FUEL, ASS'Y	NLA	\$88.85	E b	51912700200	LINK, CHOKE		\$2.29	D b
40212700200	GASKET, CARBURETOR	NLA	\$2.32	E b	52312700800	KNOB, CHOKE	NLA	\$7.11	E b
40300001200	GASKET, INLET MANIFOLD		\$0.76	C b	52522701200	GASKET, DRAIN		\$0.76	D b
40302000201	GASKET, INLET MANIFOLD		\$1.24	B b	52622006200	COLLAR		\$5.79	D b
40612700200	PLATE, REED VALVE	NLA	\$2.17	E b	53722701200	PLUG, 8	NLA	\$6.04	E b
41000517900	CLEANER, AIR ASS'Y		\$11.53	A b	54422701200	BRACKET, WIRE ADJUSTER	NLA	\$11.40	E b
41010201900	CLEANER, AIR, ASSEMBLY		\$11.53	A b	55021700200	O-RING		\$2.17	D b
42312700200	BODY, CARBURETOR COVER	NLA	\$20.57	E b	55022701200	R-B 57322912200 O-RING		\$1.32	F b
42412700200	CAP, CARBURETOR COVER	NLA	\$13.98	E b	55522701200	SCREW, THROTTLE SHAFT	NLA	\$0.76	E b
43322701200	PLATE, STOP	NLA	\$4.92	E b	55822701200	CLIP, NEEDLE VALVE	NLA	\$3.60	E b
43422701200	GASKET, PLATE, STOP	NLA	\$2.04	E b	56020445200	CAP, RUBBER		\$4.06	D b
43722701200	SLEEVE, SHAFT, LE	NLA	\$3.49	E b	56022602200	CAP, RUBBER	NLA	\$4.06	E b
43822701200	JET, SLOW		\$10.54	D b	56022701200	PLUG, A	NLA	\$2.72	E b
44035600800	HANDLE, SHIFT	NLA	\$50.94	E b	56120202900	CLAMP, CARBURETOR	NLA	\$5.48	E b
44335600200	SPRING, GUIDE	NLA	\$1.95	E b	56120445900	CLAMP, CARB.		\$5.35	D b
44735600200	LINK, SHIFT	NLA	\$4.92	E b	56122602900	CLAMP, CARBURETOR	NLA	\$5.35	E b
44835600200	PIN, SHIFT	NLA	\$3.49	E b	56722701200	BALL, STEEL	NLA	\$0.76	E b
4552021790	CARBURETOR ASSY		\$92.22	B b	57120200200	SEAL, MANIFOLD		\$0.97	C b
4552023390	R-B 45520217900 CARB		\$92.22	F b	57120400200	GASKET, FLANGE		\$1.98	D b
45521602902	R-B 45521602000 CARB SET		\$117.29	F b	57522701200	BODY, PUMP		\$19.34	D b
45522620900	R-B 45521602000 CARBURETOR		\$129.33	F b	57622701200	DIAPHRAGM, PUMP		\$12.54	D b
45522701901	CARBURETOR, TOB-550	NLA	\$186.54	E b	57722701200	GASKET, PUMP	NLA	\$4.82	E b
45535600200	R-B 45535600201 ROD, A		\$21.09	F b	58022701800	CHAMBER, FLOAT	NLA	\$37.28	E b
45635600200	R-B 45635600201 ROD, B		\$24.21	F b	58622701200	VALVE, CHECK	NLA	\$8.14	E b
45635605200	R-B 45635605201 ROD, B		\$28.04	F b	5912003T200	VALVE, THROTTLE		\$19.15	D b
45835600200	CAM, SHIFT	NLA	\$26.50	E b	5912005K200	VALVE, THROTTLE		\$19.15	D b
46035600200	PIPE, ROD GUIDE	NLA	\$54.89	E b	5912005T200	VALVE, THROTTLE		\$14.38	D b
46222701200	SCREW, IDLE ADJUST	NLA	\$6.74	E b	59200517901	PET-COCK, ASS'Y	NLA	\$17.91	E b
46322701200	SPRING, IDLE ADJUST	NLA	\$1.45	E b	59200750900	PET-COCK, ASS'Y		\$9.55	C b
46422701800	SHAFT, THROTTLE	NLA	\$24.64	E b	59210201900	PET-COCK, ASS'Y		\$18.02	A b
47035600200	SPRING, REVERSE	NLA	\$1.84	E b	5922002T920	NEEDLE, JET, ASSEMBLY		\$12.64	C b
47122701200	JET, MAIN, K-88EL	NLA	\$9.69	E b	5922002T930	NEEDLE, JET, ASS'Y		\$10.10	C b
47135600200	ROD, REVERSE	NLA	\$4.94	E b	5922033K930	NEEDLE, JET, ASS'Y		\$7.77	D b
47235600200	ROD, SHIFT	NLA	\$2.74	E b	5922058T91	R-B 5922002T920 NEEDLE		\$10.95	F b
47335600200	SPRING, ROD	NLA	\$0.76	E b	59235600200	COUPLING, FUEL TANK	NLA	\$4.92	E b
47422701200	DIAPHRAGM	NLA	\$12.54	E b	59320202200	CLIP, JET NEEDLE		\$0.76	D b
47522701200	GASKET, DIAPHRAGM		\$4.49	C b	59320400200	CLIP, JET NEEDLE		\$0.76	C b
47622701200	COVER, DIAPHRAGM	NLA	\$11.80	E b	59322904200	CLIP, JET NEEDLE		\$0.76	D b
48822701200	VALVE, THROTTLE	NLA	\$9.55	E b	59400517200	NUT, PET-COCK		\$1.52	C b
48922701200	RING, STOP	NLA	\$0.76	E b	59420202200	SPRING, THROTTLE VALVE		\$1.39	D b
49222701800	SHAFT, CHOKE	NLA	\$17.25	E b	59422602200	SPRING, THROTTLE VALVE		\$1.30	D b

Part No	Description	US Retail	S	D	Part No	Description	US Retail	S	D
59422701200	SPRING,THROTTLE VALVE	NLA	\$1.75	E b	65900801200	COLLAR	\$0.81	B	b
59520200200	CAP,BODY		\$6.17	C b	66200517203	BRACKET,PET-COCK	NLA	\$9.14	E b
59521303200	CAP,BODY		\$9.14	D b	66201046200	METAL,PET-COCK HOLDING	NLA	\$14.74	E b
59522602200	CAP,BODY		\$9.14	D b	66201058200	METAL,PET-COCK HOLDING		\$14.74	D b
59535100902	CAP,TANK,ASSEMBLY		\$15.72	A b	66335600800	COUPLING,MALE	NLA	\$28.26	E b
59535600800	CAP,TANK	NLA	\$35.00	E b	66335605800	COUPLING,MALE	NLA	\$28.31	E b
59620202200	ADJUSTER LOCK NUT		\$3.18	C b	66435600800	BRACKET,CONTROL	NLA	\$25.20	E b
59720110200	ADJUSTER,CABLE		\$4.19	C b	66635600800	COUPLING,FEMALE	NLA	\$28.26	E b
59722904200	ADJUSTER,THROTTLE CABLE		\$2.97	D b	66635605800	COUPLING,FEMALE	NLA	\$28.31	E b
59812700800	FILTER,FUEL	NLA	\$15.54	E b	66735600800	BULB,PRIMER,ASS'Y	NLA	\$41.24	E b
5982005T950	JET,NEEDLE,#95		\$16.17	C b	6800061B201	CLIP	NLA	\$1.30	E b
5992001K500	R-B 59922000252 JET		\$4.82	F b	68001004200	CLIP,8		\$0.97	A b
5992001T600	JET,MAIN,#60		\$4.82	D b	68003113200	CLIP,7.5	NLA	\$1.08	E b
5992001T740	JET,MAIN,#74		\$9.22	D b	68012700210	CLIP,8	NLA	\$1.45	E b
60035100203	RING,TANK SUPPORTER	NLA	\$1.30	E b	68112700200	CLIP,7.8	NLA	\$0.76	E b
60135560900	CLAMP,HOSE		\$1.64	C b	68212700200	CLIP,9.5	NLA	\$1.08	E b
60135600200	CLAMP,HOSE	NLA	\$2.62	E b	70007105180	PIPE,FUEL,7X10.5X180		\$2.29	D b
60220420200	SEAT,NEEDLE		\$10.19	C b	70014508050	R-B 70014508140 PIPE		\$0.76	F b
60220445200	SEAT,NEEDLE		\$5.18	D b	70014508068	R-B 70014508140 PIPE		\$0.76	F b
60222701200	CAP,NEEDLE	NLA	\$1.95	E b	70014508080	R-B 70014508140 PIPE		\$1.08	F b
60302101803	BAND,TANK HOLDING		\$3.60	B b	70014508082	R-B 70014508140 PIPE	NLA	\$1.17	E b
60320110200	R-B 60320110800 VALVE		\$5.29	F b	70014508100	R-B 70014508140 PIPE		\$1.17	F b
60320400200	VALVE,NEEDLE		\$4.92	A b	70014508140	PIPE,FUEL,4.5X8X140		\$1.64	A b
60322602200	VALVE,NEEDLE		\$14.74	B b	70015008100	R-B 70015008250 PIPE		\$1.30	F b
60322701200	VALVE,NEEDLE	NLA	\$15.72	E b	70015008116	R-B 70015008250 PIPE		\$1.64	F b
60420110200	FLOAT		\$9.14	C b	70015008150	R-B 70015008250 PIPE		\$2.40	F b
60422602200	FLOAT	NLA	\$11.56	E b	70015008260	PIPE,FUEL,5X8X260	NLA	\$3.38	E b
60422701800	FLOAT	NLA	\$19.60	E b	70017512090	PIPE,RUBBER,7.5X12X90		\$1.64	D b
60520202200	PIN,FLOAT ARM		\$0.76	C b	70100517200	STOPPER,FUEL PIPE	NLA	\$0.97	E b
60522602200	PIN,FLOAT ARM		\$3.73	C b	70230200200	COIL,FUEL PIPE		\$1.08	C b
60522701200	PIN,FLOAT	NLA	\$3.49	E b	71312700200	JOINT,PIPE	NLA	\$6.04	E b
60620202200	CHAMBER,FLOAT		\$8.28	C b	71600568200	BODY,MUFFLER A		\$42.35	D b
60622602200	CHAMBER,FLOAT		\$12.29	C b	71601046200	BODY,MUFFLER A		\$45.87	C b
60720110200	GASKET,FLOAT CHAMBER		\$4.06	B b	71610201200	BODY,MUFFLER,A		\$49.65	D b
60722602200	O-RING,FLOAT CHAMBER		\$2.72	C b	71612700200	BODY,MUFFLER A	NLA	\$85.95	E b
60722701200	GASKET,FLOAT CHAMBER	NLA	\$5.48	E b	71612700210	BODY,MUFFLER A	NLA	\$83.68	E b
61522701200	SCREW,AIR	NLA	\$9.22	E b	71700568200	BODY,MUFFLER,B		\$22.99	D b
61622701200	SPRING,AIR SCREW	NLA	\$2.04	E b	71701046200	BODY,MUFFLER B		\$20.88	D b
61920110200	RECEIVER,THROTTLE SPRING		\$0.76	D b	71710201200	BODY,MUFFLER B		\$34.66	D b
61920202200	SEAT,THROTTLE SPRING		\$0.76	D b	71712700200	BODY,MUFFLER B	NLA	\$38.03	E b
61922912200	R-B 61924100200 SPRING		\$0.76	F b	72701040201	GASKET,DRAIN		\$0.76	C b
62220217200	SCREW,ADJUSTER		\$2.55	D b	73700517200	R-B 73700517202 GASKET		\$1.39	F b
62321700200	SPRING,LOW,IDLE ADJUST		\$0.97	D b	73700587200	R-B 73700587201 GASKET		\$1.08	F b
6272021720	PLUG,DRAIN		\$1.84	C b	73701000201	GASKET,MUFFLER		\$2.11	D b
62722601200	PLUG,DRAIN		\$8.14	C b	73701046200	GASKET,MUFFLER		\$3.49	D b
62722701200	SCREW,DRAIN		\$6.28	D b	73710100200	R-B 73710100201 GASKET		\$0.76	F b
62820202200	ARM,FLOAT		\$9.80	C b	73710100201	R-B 73710242200 GASKET		\$1.02	F b
62822602200	ARM,FLOAT		\$8.81	C b	7371020120	GASKET,MUFFLER		\$4.28	B b
62920202200	R-B 62920200200 PLUG		\$1.95	F b	73710201200	R-B 73710201202 GASKET		\$3.60	F b
62920445200	GASKET,DRAIN		\$0.76	D b	73710242200	R-B 7371024220 GASKET		\$1.52	F b
63035500200	GASKET,TANK CAP		\$0.97	B b	73712700200	GASKET,MUFFLER	NLA	\$1.95	E b
65310201201	BRACKET,TANK HOLDING		\$22.63	D b	75112700200	GASKET,MUFFLER BODY	NLA	\$4.82	E b
65310218800	METAL,TANK HOLDING		\$31.15	C b	75535600200	PIPE,WATER	NLA	\$3.06	E b
65410201201	HOLDER,TANK,B		\$18.23	C b	75600517903	STARTER,RECOIL ASS'Y	NLA	\$96.24	E b
6550141A200	CUSHION,TANK		\$1.64	D b	75610201901	STARTER,RECOIL ASSEMBLY	NLA	\$75.35	E b
65510201200	CUSHION,TANK		\$0.76	C b	76212700900	STARTER,RECOIL ASS'Y	NLA	\$126.91	E b

Part No	Description	US Retail	S	D	Part No	Description	US Retail	S	D
76912700200	REEL,STARTER ROPE	NLA \$35.46	E	b	87535552200	COVER,THROTTLE HOLDER	NLA \$2.55	E	b
77200517211	BODY,RECOIL STARTER	\$32.70	D	b	87635552200	GUIDE,WIRE	NLA \$2.40	E	b
77210201200	BODY,STARTER,RECOIL	\$41.70	D	b	87735552200	STOPPER,THROTTLE	\$4.06	C	b
77212700800	BODY,RECOIL STARTER	\$93.53	D	b	87835552200	SPRING,THROTTLE STOPPER	\$1.64	C	b
77300100204	SHAFT,PULLEY,OUTER	\$10.37	C	b	87935552200	SCREW,TAPPING,3X10	\$1.08	C	b
77310200200	PULLEY,SHAFT/OUTER	\$12.45	D	b	88500568800	WIRE,THROTTLE	\$9.80	C	b
77404015204	PULLEY,STARTER	NLA \$24.96	E	b	8850105880	WIRE,THROTTLE	\$17.57	B	b
77410200200	PULLEY,STARTER	\$22.57	C	b	88510201800	WIRE,THROTTLE	\$8.55	C	b
77601006207	SHAFT,PULLEY	\$4.82	C	b	88512700920	WIRE,THROTTLE	NLA \$17.15	E	b
77810200200	CASE,SPRING,RECOIL	\$2.55	D	b	89401401201	R-B 89433111200 RECEIVER	\$5.18	F	b
77901006202	SPRING,RECOIL	\$11.97	A	b	90332201200	HOLDER,THROTTLE WIRE	\$0.87	C	b
77910200203	SPRING,RECOIL	\$11.78	C	b	90635115200	DECAL	NLA \$6.15	E	b
77912700200	SPRING,RECOIL	NLA \$20.70	E	b	90635115201	DECAL	NLA \$6.15	E	b
78000601201	GUIDE,ROPE	\$2.55	C	b	90635551201	DECAL	NLA \$5.79	E	b
78010201200	GUIDE,ROPE	\$3.38	D	b	90635551210	DECAL	\$4.25	D	b
78200546200	RECEIVER,ROPE	\$0.76	D	b	90635600201	DECAL	NLA \$13.06	E	b
78300517200	ROPE,STARTER,3.5X1300	\$2.74	C	b	90635601201	DECAL	NLA \$12.09	E	b
78301006201	ROPE,STARTER,4X1300	\$2.72	C	b	91535600200	ANODE	NLA \$13.06	E	b
78312700200	ROPE,STARTER,5X1000	NLA \$4.68	E	b	91912700200	DECAL,CAUTION	NLA \$1.77	E	b
78510207201	R-B 78510118200 HANDLE	\$9.88	F	b	94832352200	R-B 94839907200 BAG,TOOL	\$2.72	F	b
78512700800	HANDLE,STARTER	NLA \$8.58	E	b	94839907200	R-B 94832310200 BAG	\$3.28	F	n
78610200200	WASHER,STARTER	\$0.76	D	b	96135600200	PLATE,SERIAL NO.,TOB-550	NLA \$2.30	E	b
78612700200	WASHER,STARTER	NLA \$5.35	E	b	96135605200	PLATE,SERIAL NO.,TOB-550L	NLA \$4.62	E	b
78800601203	PAWL,STARTER	\$2.55	B	b	96534501200	CUSHION,TANK	\$1.39	D	b
78810200202	PAWL,STARTER	\$8.48	C	b	98535118900	KIT,TOOL	\$17.95	D	b
78812700200	PAWL,STARTER	NLA \$6.59	E	b	98535600900	KIT,TOOL	NLA \$25.39	E	b
7893367023	CAP,BODY	\$22.50	B	b	99011030081	SCREW,3X8	\$0.66	D	b
79000601203	SPRING,STARTER PAWL	\$1.25	A	b	99011030101	SCREW,3X10	\$0.73	A	b
79010201211	SPRING,STARTER PAWL	\$0.97	C	b	99011040051	SCREW,4X5	\$0.66	D	b
79110200200	BUSHING,STARTER	NLA \$0.97	E	b	99011040061	SCREW,4X6	\$0.66	C	b
79310200202	BOLT,STEP	\$4.60	C	b	99011040081	SCREW,4X8	\$0.66	B	b
79812700200	PULLEY,STARTER	NLA \$20.12	E	b	99011040082	SCREW,4X8	\$0.66	D	b
80120000200	SPANNER,8X10	\$2.75	D	b	99011040102	SCREW,4X10	\$1.64	D	b
80820000200	SPANNER,10X13	\$4.06	C	b	99011040122	SCREW,4X12	\$0.66	D	b
81400500200	SHIM,13.2X17X.50	\$0.76	C	b	99011040142	SCREW,4X12	\$0.76	D	b
82200601200	SHIM,7X11.8X.60	\$0.76	C	b	99011040162	SCREW,4X16	\$0.66	D	b
82710200201	HOLDER,RECOIL SPRING	\$0.87	D	b	99011040182	R-B 99011040181 SCREW	\$0.66	F	b
82820000800	SPANNER,COMBINATION	\$9.88	D	b	99011040202	SCREW,4X20	\$0.66	D	b
82910201201	BASE,PAWL,STARTER	\$15.61	D	b	99011040252	SCREW,4X25	\$0.66	B	b
8292000080	R-B 829290052H SPANNER	\$9.80	F	b	99011040302	SCREW,4X30	\$0.66	C	b
83212700200	SPRING,RETURN	NLA \$3.60	E	b	99011050102	SCREW,5X10	\$0.76	C	b
83310207200	R-B 83510246200 CAP	\$0.76	F	b	99011050122	SCREW,5X12	NLA \$0.76	E	b
83612700200	SPRING,FRICITION	NLA \$1.95	E	b	99011050162	SCREW,5X16	\$0.66	C	b
83712700200	PLATE,FRICITION	NLA \$8.23	E	b	99011050181	SCREW,5X18	\$0.66	C	b
83812700200	CASE,SPRING	NLA \$1.52	E	b	99011050202	SCREW,5X20	\$0.98	D	b
85120000201	WRENCH,SPARK PLUG	\$3.88	C	b	99011050251	SCREW,5X25	\$0.66	C	b
86035600200	CUSHION,ARM SUPPORT	NLA \$3.60	E	b	99011050382	SCREW,5X38	\$1.20	D	b
86135600200	WASHER,ARM SUPPORT,A	NLA \$2.04	E	b	99011050452	SCREW,5X45	\$0.94	C	b
86220000200	SCREW DRIVER,PHILLIPS	\$4.92	C	b	99011060121	SCREW,6X12	\$0.66	C	b
86235600200	WASHER,ARM SUPPORT B	NLA \$2.04	E	b	99011060122	SCREW,6X12	\$0.87	D	b
87000569900	LEVER,THROTTLE ASS'Y	\$18.60	C	b	99011060162	SCREW,6X16	\$0.97	C	b
87035552900	R-B 8703555200 LEVER	\$77.84	F	b	99011060182	SCREW,6X18	\$1.08	C	b
87135552200	GRIP,THROTTLE	\$20.68	C	b	99011060202	SCREW,6X20	\$0.66	D	b
87235552200	PIPE,INNER THROTTLE	\$18.14	C	b	99011060222	SCREW,6X22	\$1.20	D	b
87335552200	HOLDER,THROTTLE,A	NLA \$13.06	E	b	99011060252	SCREW,6X25	\$1.32	C	b
87435552200	HOLDER,THROTTLE,B	NLA \$14.38	E	b	99011060302	SCREW,6X30	\$1.39	D	b

Part No	Description	US Retail	S	D	Part No	Description	US Retail	S	D
99012050122	SCREW,5X12	NLA	\$0.76	E b	99201050011	WASHER,5	\$0.73	A	b
99012060152	SCREW,6X15		\$0.76	D b	99201050041	WASHER,5	\$0.66	D	b
99015030051	SCREW,3X5		\$0.76	D b	99201060041	WASHER,6	\$0.66	D	b
99021040182	BOLT,4X18		\$0.76	D b	99201080011	WASHER,8	\$0.66	A	b
99021050102	BOLT,HEX,5X10	NLA	\$0.76	E b	99201080041	WASHER,8	\$0.66	D	b
99021050122	BOLT,HEX,5X12	NLA	\$0.76	E b	99201100011	WASHER,10	\$0.66	B	b
99021050152	BOLT,5X15 HEX		\$0.76	D b	99201100041	WASHER,10	\$0.76	D	b
99021050202	BOLT,5X20 HEX		\$0.76	D b	99201120041	WASHER,12	\$1.20	D	b
99021050302	BOLT,5X30		\$1.30	D b	99204080030	WASHER,8	\$0.66	C	b
99021060082	BOLT,6X8		\$0.87	C b	99210030012	WASHER,S,,3	\$0.66	C	b
99021060102	SCREW,6X10		\$0.66	D b	99210040012	WASHER,S,4	\$0.66	A	b
99021060122	BOLT,HEX,6X12		\$0.87	D b	99210040042	WASHER,S,4	\$0.66	C	b
99021060152	BOLT,6X15 HEX		\$0.87	D b	99210050012	WASHER,S,5	\$0.73	A	b
99021060162	BOLT,6X16		\$1.30	D b	99210050042	WASHER,S,5	\$0.66	C	b
99021060182	BOLT,6X18		\$0.97	D b	99210060012	WASHER,S,6	\$0.73	A	b
99021060202	BOLT,6X20		\$0.66	D b	99210060042	WASHER,S,6	\$0.66	C	b
99021060222	BOLT,6X22		\$1.20	D b	99210060071	R-B 99210060042 WASHER,S	\$0.76	F	b
99021060252	BOLT,6X25		\$1.17	D b	99210080012	WASHER,S,8	\$0.66	C	b
99021060302	BOLT,6X30		\$1.64	D b	99210080042	WASHER,S,8	\$0.76	D	b
99021060402	BOLT,6X40		\$1.20	D b	99210100042	WASHER,10	\$0.76	D	b
99021060452	BOLT,6X45		\$2.74	D b	99210120042	WASHER,S,12	\$1.08	D	b
99021060752	BOLT,6X75	NLA	\$5.48	E b	99290160104	PIN,COTTER	\$0.76	D	b
99021060802	BOLT,6X80		\$3.60	D b	99290250284	PIN,COTTER,2.5X28	\$1.08	D	b
99021080102	BOLT,8X10		\$1.30	D b	99325003144	PIN,SPRING	\$0.76	D	b
99021080252	BOLT,8X25		\$0.89	D b	99325025224	PIN,SPRING,2.5X22	\$0.87	D	b
99021080302	BOLT,8X30		\$3.38	D b	99350009002	RING,STOP,C9	\$0.66	C	b
99021080352	BOLT,8X35		\$2.55	D b	99350010002	RING,STOP,C-10 EX	\$0.66	C	b
99021080402	BOLT,8X40		\$3.65	D b	99350020002	RING,STOP,C20	\$0.66	C	b
99021080502	BOLT,8X50		\$3.60	D b	99351042002	RING,STOP,C42	\$1.64	C	b
99021080702	BOLT,8X70		\$4.82	D b	99351047002	RING,STOP,C47 IN	NLA	\$1.84	E b
99021081302	BOLT,8X130		\$4.41	D b	99355060000	RING,STOP,E6	\$0.66	D	b
99061060502	BOLT,WING 6X50		\$6.90	D b	99413040101	SCREW,4X10	\$0.66	D	b
99101030011	NUT,3		\$0.66	C b	99414040061	SCREW,4X6/S	\$0.62	D	b
99101030013	NUT,3		\$0.66	D b	99414040081	R-B 99434040081 SCREW	\$0.66	F	b
99101040023	NUT,4		\$0.76	D b	99414040251	SCREW,4X25/S	\$0.76	D	b
99101050021	NUT,5		\$0.66	D b	99415040101	R-B 99415040121 SCREW	\$0.66	F	b
99101050041	NUT,5		\$0.66	D b	99434040094	SCREW,4X9/S	NLA	\$0.76	E b
99101060013	NUT,6		\$0.66	A b	99434040101	SCREW,PS,4X10	\$0.76	D	b
99101060021	NUT,6		\$0.97	D b	99434040144	SCREW,4X14	\$0.76	D	b
99101060031	NUT,6		\$0.97	C b	99434040164	SCREW,S,4X16	\$0.76	D	b
99101080011	NUT,8		\$0.66	C b	99434040234	SCREW,S,4X23	\$0.76	D	b
99101080021	NUT,8		\$1.39	D b	99905061801	PIN,KNOCK,6X18	\$0.76	D	b
99101100021	NUT,10		\$2.59	D b	99961600000	BEARING,BALL,#6000	\$19.60	C	b
99101120021	NUT,12		\$2.44	D b	99961600100	BEARING,BALL,#6001	\$16.48	B	b
99109100001	NUT,10 L.H.		\$1.08	C b	99961600200	BEARING,BALL,#6002	\$20.35	B	b
99141050022	NUT,CAP 5		\$1.39	D b	99961600400	BEARING,BALL,#6004	\$18.23	D	b
99141060022	NUT,CAP,6		\$0.66	C b	99961600404	BEARING,BALL,#6004DD	\$18.23	C	b
99142060022	NUT,CAP 6		\$0.76	D b	99961620100	BEARING,BALL,#6201	\$17.04	C	b
99174040020	NUT,4		\$3.18	D b	99961620200	BEARING,BALL,#6202	\$19.34	C	b
99174080020	NUT,U,8		\$4.49	D b	99961620300	BEARING,BALL,#6203	\$13.65	C	b
99200040011	WASHER,4		\$0.66	B b	99961620404	BEARING,BALL,#6204DD	NLA	\$19.15	E b
99200050011	WASHER,SMALL,5		\$0.66	B b	99961629000	BEARING,BALL,#629	\$13.30	C	b
99200050041	WASHER,5		\$0.66	D b	99961630400	BEARING,BALL,#6304	\$17.29	D	b
99201030011	WASHER,3		\$0.66	D b	99962101004	BEARING,NEEDLE,F1010B	\$11.24	B	b
99201040011	WASHER,4		\$0.66	C b	99962101521	BEARING,NEEDLE,1015	\$21.88	C	b
99201040041	WASHER,4		\$0.76	D b	99962102463	BEARING,THRUST,#1024	\$13.98	C	b

Part No	Description	US Retail	S	D	Part No	Description	US Retail	S	D
99962102464	WASHER,THRUST,#1024	\$3.06	C	b					
99962141834	BEARING,NEEDLE	\$16.80	D	b					
99966081805	SEAL,OIL,#8187	\$4.06	D	b					
99966092064	SEAL,OIL,#9207	\$4.06	B	b					
99966102209	SEAL,OIL,#10228	\$4.82	C	b					
99966122240	R-B 99966122206 SEAL,OIL	\$4.94	F	b					
99966122525	SEAL,OIL,#12257	NLA	\$4.82	E	b				
99966122821	SEAL,OIL,#12287	\$5.16	C	b					
99966132825	SEAL,OIL,#13287	\$4.92	C	b					
99966152511	R-B 99966152564 SEAL,OIL	\$4.60	F	b					
99966153000	SEAL,OIL,#15307	\$4.06	C	b					
99966173000	R-B 99966173066 SEAL	\$6.38	F	b					
99966203513	SEAL,OIL,#20358	\$6.28	D	b					
99967008000	O-RING,P8	\$0.76	D	b					
99967009000	O-RING,P-9	\$0.76	D	b					
99967045002	O-RING	\$3.96	D	b					
99967050010	O-RING,G-50	\$2.04	D	b					
99967055012	O-RING,S-55	NLA	\$2.04	E	b				