

***Tanaka***

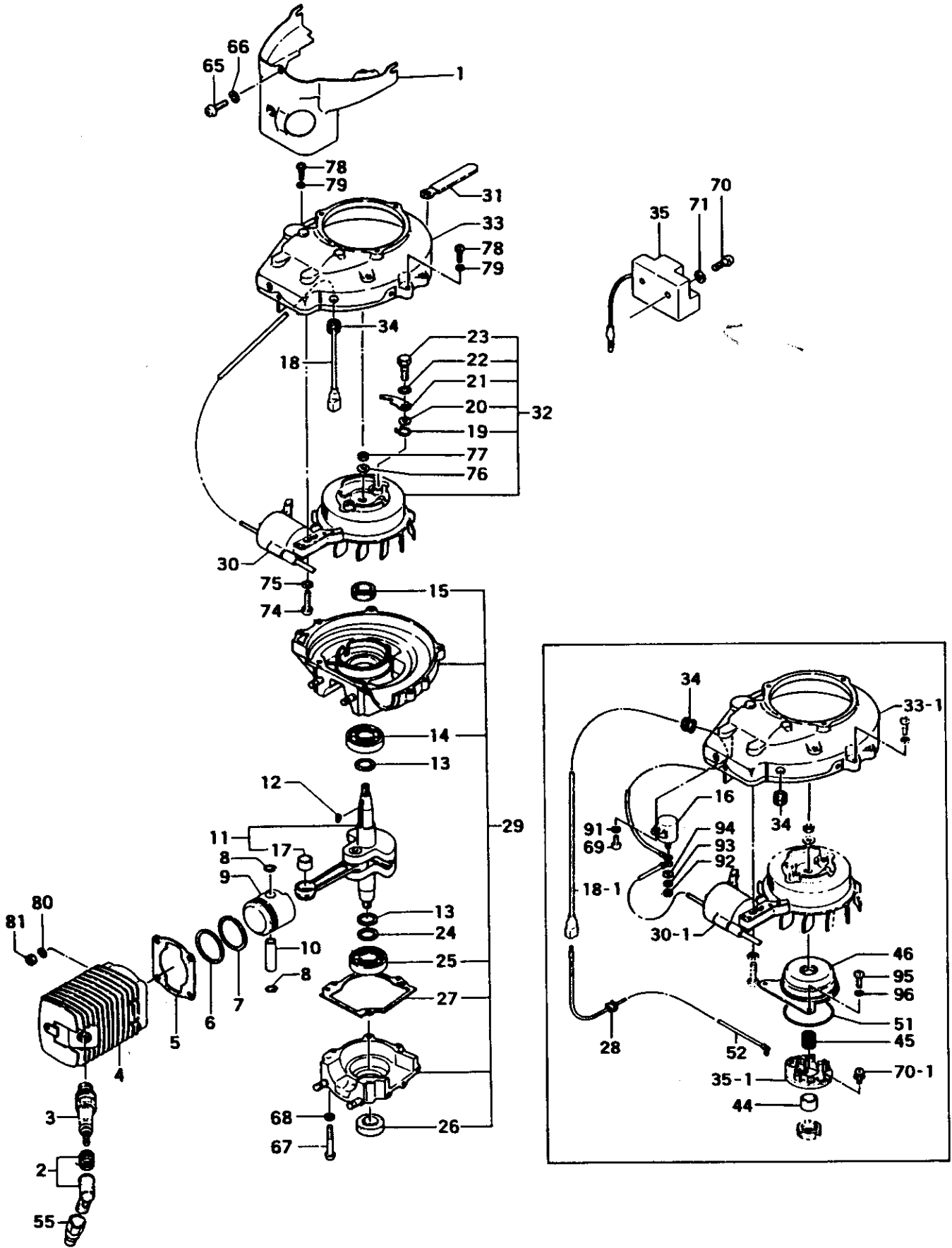
**Parts Catalog**

**Outboard Motor**

**Model: TOB-175**

**Units Prior To Serial No. J 048490**

# FIG.1 ENGINE

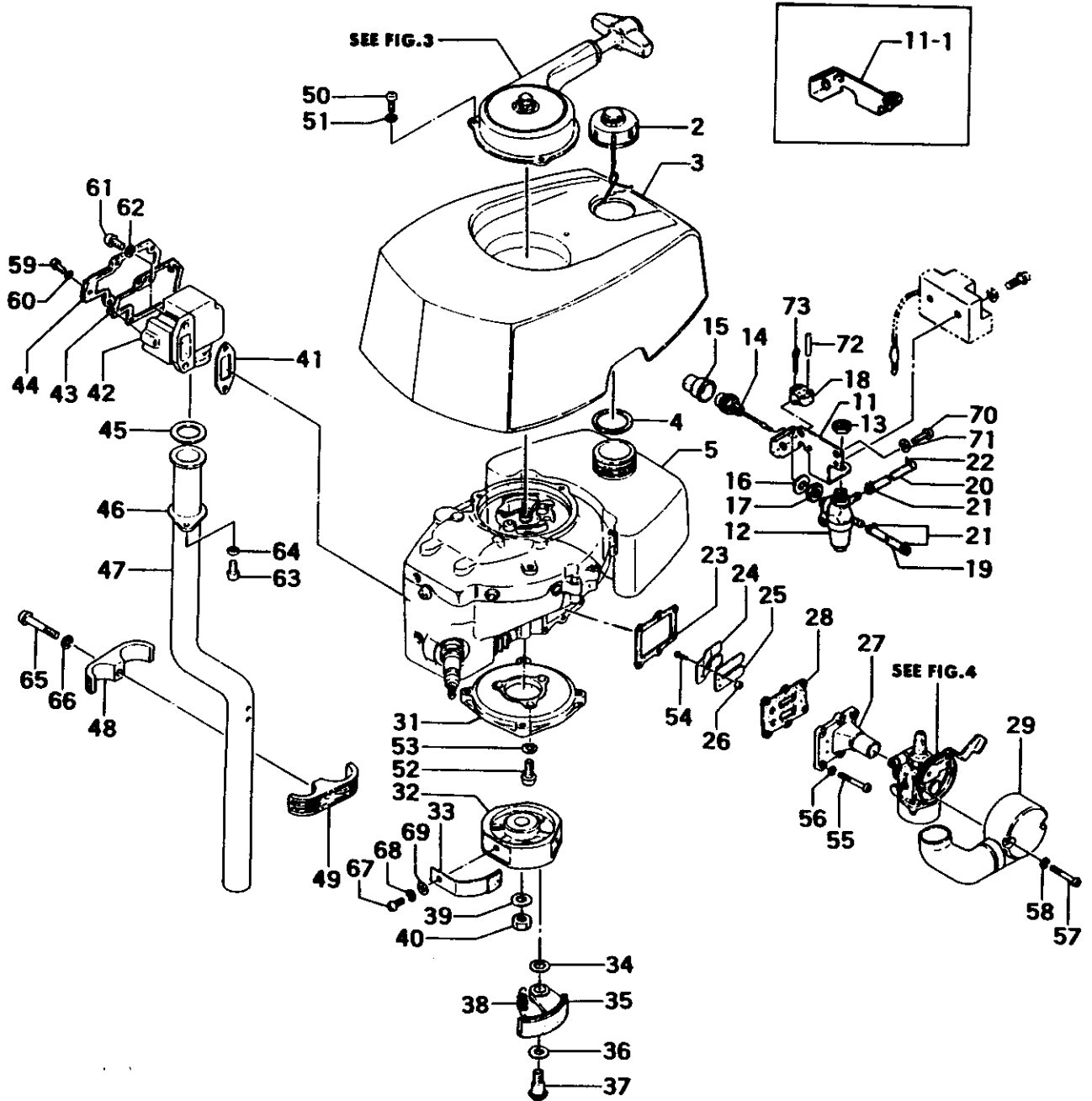


REF. NBR	PART NBR	PART NAME	QTY	SERIAL NBR	REMARKS
1-001	016-01046-200	CYLINDER SHROUD	1		
1-002	157-04000-900	SPARK PLUG CAP ASS'Y	1		
1-003	018-00562-200	SPARK PLUG RCJ-8	1	I	-D223200
1-003	018-00546-200	SPARK PLUG BMR6A	1		D223201-
1-004	002-01046-800	CYLINDER COMP.	1		
1-005	017-01000-203	CYLINDER GASKET	1	I	-C102330
1-005	017-01000-204	CYLINDER GASKET	1		C102331-
1-006	040-01000-201	PISTON RING /TOP	1		
1-007	041-01000-201	PISTON RING	1		
1-008	039-01000-200	PISTON PIN CIRCLIP	2		
1-009	031-01000-200	PISTON	1		
1-010	037-01000-200	PISTON PIN 10X30	1		
1-011	046-01003-804	CRANK SHAFT COMP.	1		-C190852
1-011	046-01058-800	CRANK SHAFT COMP.	1	N	C190853-
1-012	068-02000-200	WOOD-RUFF KEY 3X13X5	1		
1-013	070-02401-201	CRANK SHAFT WASHER 15.2X22	2		
1-014	999-61620-200	BALL BEARING #6202, 35MM/OD	1		
1-015	999-66152-500	OIL SEAL 15257	1		
1-016	177-20701-801	CONDENSER COMP.	1	D	C190853-
1-017	999-62101-004	NEEDLE BEARING F1010B	1		
1-018, 1	173-01046-800	PRIMARY CORD COMP., B120M	1		-C190852
1-018	173-01058-800	PRIMARY CORD COMP., B250M	1	N	C190853-
1-019	790-00601-202	STARTER PAVL SPRING	2	R	-C118045
1-019	790-00601-203	STARTER PAVL SPRING	2		C118046-
1-020	992-01050-011	WASHER 5	2		
1-021	788-00601-203	STARTER PAVL	2		
1-022	822-00601-200	STARTER PAVL SHIM 0.6T	2		
1-023	793-10200-200	STEP BOLT	2	R	-A263161
1-023	793-10200-201	STEP BOLT	2		A263162-
1-024	071-02007-200	CRANK SHAFT SHIM 0.05	V		
1-024	071-02007-210	CRANK SHAFT SHIM 0.10	V		
1-024	071-02007-220	CRANK SHAFT SHIM 0.15	V		
1-024	071-02007-230	CRANK SHAFT SHIM 0.20	V		
1-024	071-02007-240	CRANK SHAFT SHIM 0.30	V		
1-025	999-61620-200	BALL BEARING #6202, 35MM/OD	1		
1-026	999-66152-500	OIL SEAL 15257	1		
1-027	090-01000-200	CRANK CASE GASKET	1		
1-028	203-01000-201	PRIMARY CORD GROMMET	1	D	C190853-
1-029	072-01058-900	CRANK CASE ASS'Y	1		
1-030, 1	167-20710-801	IGNITION COIL COMP.	1	R	-A174834
1-030	167-20753-800	IGNITION COIL COMP.	1		-C190852
1-030	167-20759-800	IGNITION COIL COMP.	1	N	C190853-
1-031	198-11660-800	CORD CLAMP COMP.	1	I	-C190852
1-031	198-11600-800	CORD CLAMP COMP.	1		C190853-
1-032	155-21711-900	MAGNETO ROTOR ASS'Y	1		
1-033, 1	112-01046-200	FAN CASE	1		-C190852
1-033	112-01058-200	FAN CASE	1	N	C190853-
1-034	202-01003-201	SECONDARY CORD GROMMET	2		-C190852
1-034	202-01003-201	SECONDARY CORD GROMMET	1		C190853-
1-035, 1	159-20701-901	CONTACT BREAKER ASS'Y	1		-C190852
1-035	159-21401-871	IGNITOR COMP. TT1-1E	1	N	C190853-
1-044	246-20701-201	MAGNETO CAM	1	D	C190853-
1-045	247-01000-201	CAM SUPPORT SPRING	1	D	C190853-
1-046	191-01046-200	POINT COVER	1	D	C190853-
1-051	999-67050-010	O-RING G-50	1	D	C190853-
1-052	173-20701-802	PRIMARY CORD COMP.	1	D	C190853-
1-055	256-01046-200	SPARK PLUG RUBBER COVER B	1		
1-065	990-11050-102	SCREW 5X10	4		
1-066	992-11050-041	S. WASHER 5	4	N	
1-066	992-01050-041	WASHER 5	4		
1-067	990-11050-382	SCREW 5X38	4		
1-068	992-10050-042	S. WASHER 5	4		
1-069	990-11040-061	SCREW 4X6	1	D	C190853-

- To be cont'd -

REF. NBR	PART NBR	PART NAME	QTY	SERIAL NBR	REMARKS
1-070.1	994-15040-101	SCREW 4X10/PS	2	-C190852	
1-070	990-11040-122	SCREW 4X12	2	H C190853-	
1-071	992-10040-042	S.WASHER 4	2	H C190853-	
1-074	990-11050-202	SCREW 5X20	2		
1-075	992-10050-042	S.WASHER 5	2		
1-076	065-00000-200	FLYWHEEL WASHER	1		
1-077	066-00000-200	FLYWHEEL NUT 12	1		
1-078	990-11050-202	SCREW 5X20	4		
1-079	992-10050-042	S.WASHER 5	4		
1-080	992-10060-042	S.WASHER 6	4		
1-081	991-01060-021	NUT 6	4		
1-091	992-10040-012	S.WASHER 4	1	D C190853-	
1-092	991-01030-011	HEX. NUT 3	1	D C190853-	
1-093	992-10030-012	S.WASHER 3	1	D C190853-	
1-094	992-01030-011	WASHER 3	1	D C190853-	
1-095	990-11040-102	SCREW 4X10	3	D C190853-	
1-096	992-10040-042	S.WASHER 4	3	D C190853-	

**FIG.2 TANK, CLUTCH & MUFFLER**

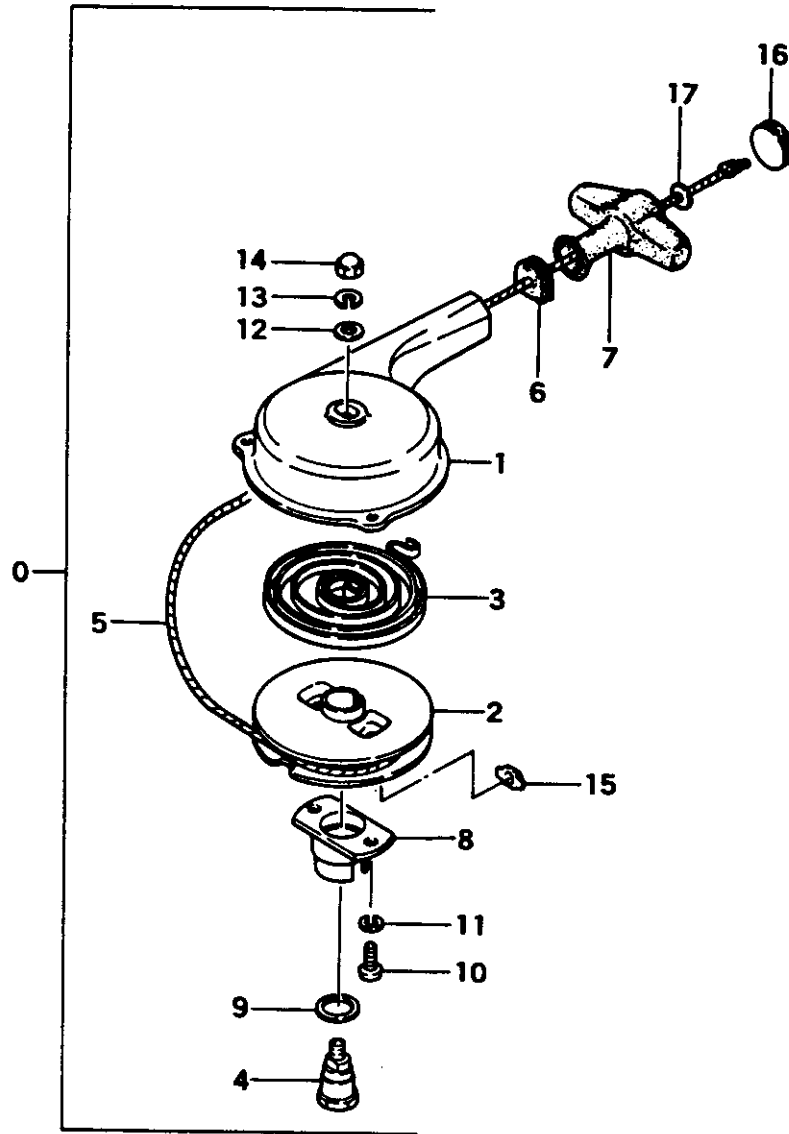


REF. NBR	PART NBR	PART NAME	QTY	SERIAL NBR	REMARKS
2-002	595-35100-902	TANK CAP ASS'Y	1		
2-003	300-35300-200	ENGINE COVER	1	R -A111767	
2-003	300-35300-201	ENGINE COVER	1	I -A174834	
2-003	300-35300-202	ENGINE COVER	1	A174835-	
2-004	600-35100-203	TANK SUPPORT RING	1		
2-005	401-35300-200	TANK	1		
2-011, 1	662-01046-200	PET-COCK BRACKET	1	-C190852	
2-011	662-01058-200	PET-COCK BRACKET	1	M C190853-	
2-012	592-10201-900	PET-COCK ASS'Y	1		
2-013	594-00517-200	PET-COCK FIXING NUT	1		
2-014	170-01046-800	STOP BUTTON	1		
2-015	266-00503-202	STOP BUTTON COVER	1	R -B059855	
2-015	266-00503-203	STOP BUTTON COVER	1	B059856-	
2-016	181-01004-200	SPECIAL S.WASHER	1	M	
2-016	992-10080-012	S.WASHER 8	1		
2-017	180-01004-200	STOP BUTTON FIXING NUT	1		
2-018	021-35100-201	PIN HOLDER	1		
2-019	700-14508-068	FUEL PIPE	1	-C190852	
2-019	700-14508-082	FUEL PIPE 4.5X8X82	1	M C190853-	
2-020	700-14508-050	FUEL PIPE	1	-C190852	
2-020	700-14508-067	FUEL PIPE 4.5X8X67	1	M C190853-	
2-021	680-01004-200	CLIP 8	3		
2-022	701-00517-200	FUEL PIPE STOPPER	1		
2-023	398-01000-202	REED VALVE SEAT GASKET	1		
2-024	395-01225-200	REED HOLDER	1		
2-025	394-01202-201	REED VALVE A	1		
2-026	399-01000-200	REED VALVE COLLAR A	2		
2-026	399-01000-210	REED VALVE COLLAR B	2		
2-026	399-01000-220	REED VALVE COLLAR C	2		
2-026	399-01000-230	REED VALVE COLLAR D	2		
2-027	390-01046-200	INLET MANIFOLD	1		
2-028	397-01202-201	REED VALVE SEAT	1		
2-029	410-10201-900	AIR CLEANER ASS'Y	1		
2-031	333-01046-200	CLUTCH HOLDING BASE	1		
2-032	347-01046-200	CLUTCH FLANGE	1	R -A111767	
2-032	347-01046-201	CLUTCH FLANGE	1	A111768-	
2-033	210-35300-800	CLUTCH SPRING COMP.	3		
2-034	358-10112-200	CLUTCH WASHER A	3		
2-035	290-10112-802	CLUTCH ARM COMP.	3		
2-036	359-10112-203	CLUTCH WASHER B	3		
2-037	357-10112-204	CLUTCH STEP BOLT	3		
2-038	342-10112-202	CLUTCH SPRING	3	R -A037986	
2-038	342-10205-200	CLUCH SPRING	3	A037987-	
2-038	342-10205-200	CLUCH SPRING	3	M	
2-038	342-10205-210	CLUCH SPRING	3	R -A069144	
2-038	342-10205-220	CLUTCH SPRING	3	A069145-	
2-039	992-01080-011	WASHER 8	1		
2-040	991-01080-011	HEX. NUT 8	1		
2-041	737-01000-201	MUFFLER GASKET	1		
2-042	716-01046-200	MUFFLER BODY A	1		
2-043	737-01046-200	MUFFLER GASKET	1		
2-044	717-01046-200	MUFFLER BODY B	1		
2-045	221-35500-200	MUFFLER PIPE GASKET	1		
2-046	226-35500-200	MUFFLER PIPE STAY A	1		
2-047	220-35300-200	MUFFLER PIPE	1		
2-048	225-35500-200	MUFFLER PIPE BRACKET A	1		
2-049	227-35500-200	MUFFLER PIPE BRACKET B	1		
2-050	990-11040-252	SCREW 4X25	3		
2-051	992-10050-042	S.WASHER 5	3	M	
2-051	992-10040-042	S.WASHER 4	3		
2-052	990-11060-162	SCREW 6X16	3		
2-053	992-10060-042	S.WASHER 6	3		
2-054	990-11030-101	SCREW 3X10	2		

- To be cont'd -

REF. NBR	PART NBR	PART NAME	QTY	SERIAL NBR	REMARKS
2-055	990-11040-162	SCREW 4X16	6		
2-056	992-10040-042	S.WASHER 4	6		
2-057	990-11040-302	SCREW 4X30	2		
2-058	992-10040-042	S.WASHER 4	2		
2-059	990-11040-122	SCREW 4X12	5		
2-060	992-10040-042	S.WASHER 4	5		
2-061	990-11060-202	SCREW 6X20	2		
2-062	992-10060-042	S.WASHER 6	2		
2-063	990-11050-122	SCREW 5X12	2		
2-064	992-10050-042	S.WASHER 5	2		
2-065	990-11060-252	SCREW 6X25	1		
2-066	992-10060-042	S.WASHER 6	1		
2-067	990-11050-122	SCREW 5X12	3		
2-068	992-10050-042	S.WASHER 5	3		
2-069	992-01050-041	WASHER 5	3		
2-070	990-11060-122	SCREW 6X12	2		
2-071	992-10060-042	S.WASHER 6	2		
2-072	012-35500-200	SHEAR PIN	2		
2-073	011-35100-200	COTTER PIN	2		

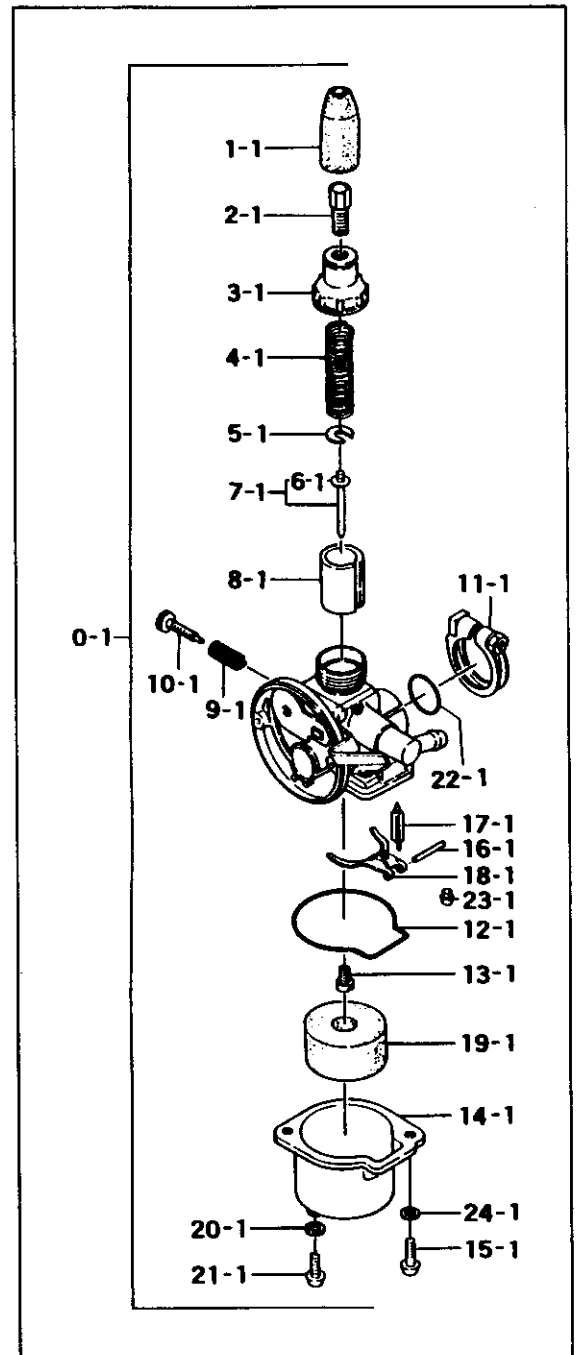
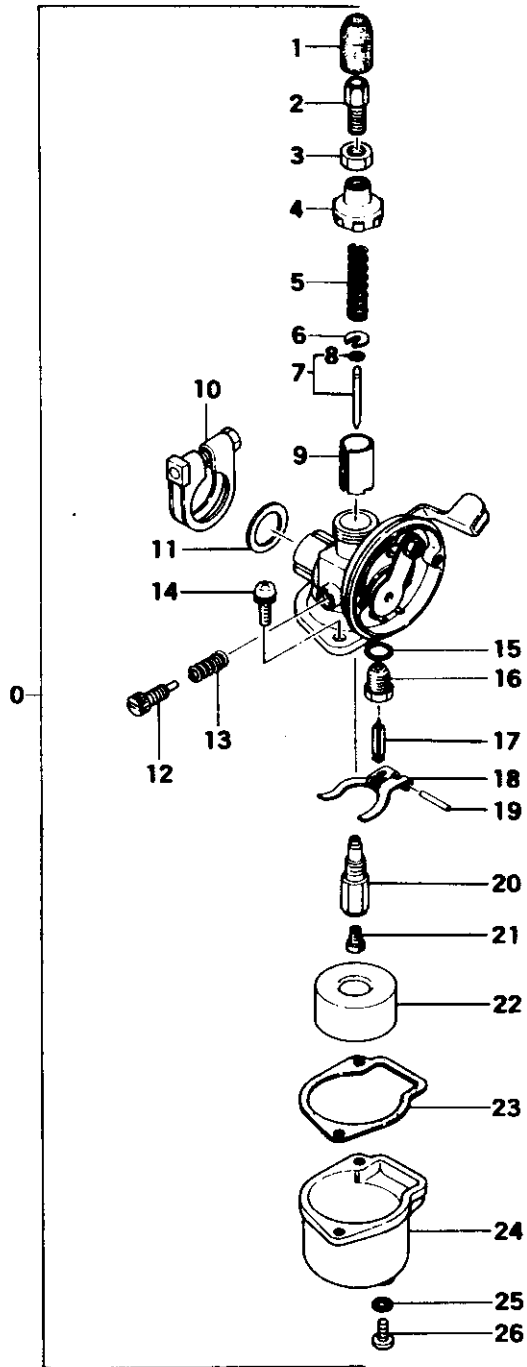
### FIG.3 RECOIL STARTER



REF. NBR	PART NBR	PART NAME	QTY	SERIAL NBR	REMARKS
3-000	756-00517-903	RECOIL STARTER ASS'Y	1		
3-001	772-00517-211	RECOIL STARTER BODY	1		
3-002	774-04015-204	STARTER ROPE REEL	1		
3-003	779-01006-201	RECOIL SPRING	1		
3-004	776-01006-207	PULLEY SHAFT	1		
3-005	783-00517-200	STARTER ROPE 3.5X1300	1		
3-006	780-00601-201	ROPE GUIDE	1		
3-007	785-10207-201	STARTER HANDLE	1		
3-008	773-00100-204	PULLEY SHAFT/OUTER	1		
3-009	814-00500-200	STARTER PULLEY SHIM	1		
3-010	990-11050-122	SCREW 5X12	2		
3-011	992-10050-042	S.WASHER 5	2		
3-012	992-01060-041	WASHER 6	1		
3-013	992-10060-042	S.WASHER 6	1		
3-014	991-41060-022	CAP NUT 6	1		
3-015	782-00546-200	ROPE RECEIVE	1		
3-016	833-10207-200	STARTER HANDLE CAP	1		
3-017	992-01040-011	WASHER 4	1		

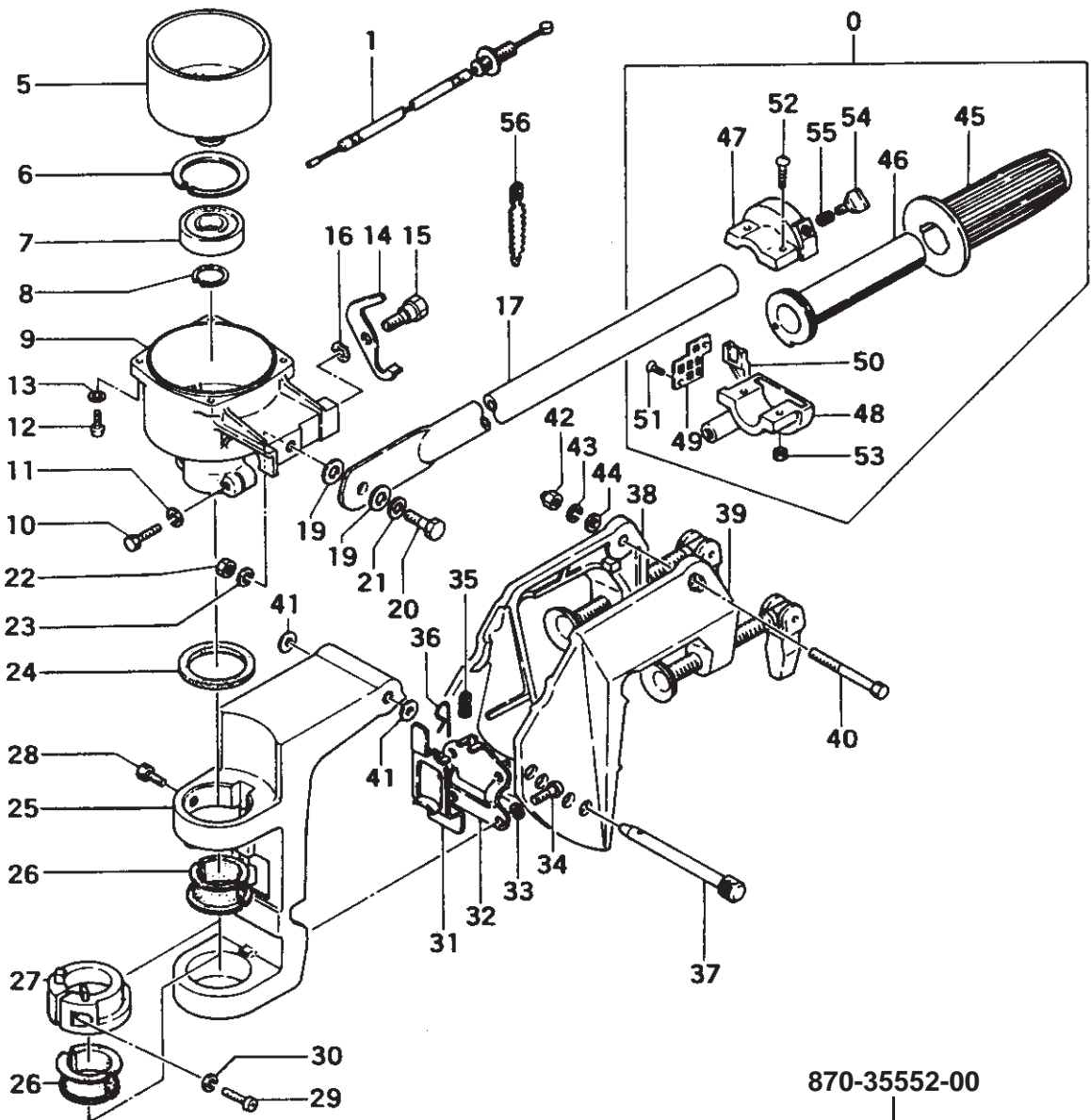


# FIG.4 CARBURETOR

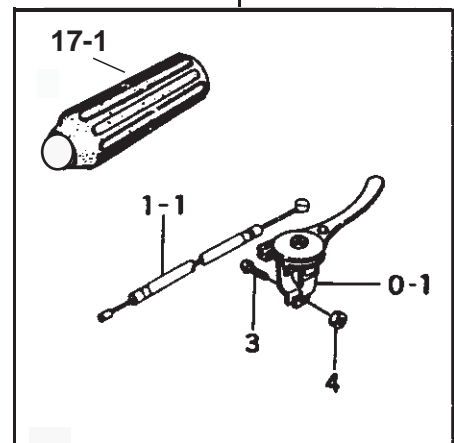


REF. NBR	PART NBR	PART NAME	QTY	SERIAL NBR	REMARKS
4-000.1	455-22907-900	CARBURETOR ASS'Y	1	R -A111767	
4-000.1	455-22907-901	CARBURETOR ASS'Y	1	R -J048190	
4-000	455-20445-900	CARBURETOR ASS'Y	1	J048191-	
4-001.1	560-22902-202	RUBBER CAP	1	M	
4-001.1	560-22904-200	RUBBER CAP	1	M	
4-002.1	597-22802-200	THROTTLE CABLE ADJUSTER	1	M	
4-002.1	597-22904-200	CABLE ADJUSTER	1		
4-003.1	595-22900-200	BODY CAP	1		
4-004.1	594-22602-200	THROTTLE VALVE SPRING	1		
4-005.1	619-22602-200	THROTTLE SPRING RECEIVER	1	M	
4-005.1	619-22000-200	THROTTLE SPRING RECEIVE	1		
4-006.1	593-22900-200	JET NEEDLE CLIP	1		
4-007.1	592-22907-910	JET NEEDLE ASS'Y	1	M	
4-007.1	592-2038K-930	JET NEEDLE ASS'Y 011333	1		
4-008.1	591-22907-200	THROTTLE VALVE	1	M	
4-008.1	591-2018K-200	THROTTLE VALVE 1.0X1.1	1		
4-009.1	623-22900-200	ADJUSTER SPRING	1		
4-010.1	622-22907-200	ADJUSTER SCREW	1		
4-011.1	561-22900-900	BODY BAND ASS'Y	1		
4-012.1	607-22900-200	CHAMBER GASKET	1		
4-013.1	599-22907-200	MAIN JET	1	M	
4-013.1	599-2002K-680	MAIN JET #68	1		
4-014.1	606-22900-200	FLOAT CHAMBER	1		
4-015.1	994-31040-121	SCREW 4X12	2		
4-016.1	605-22900-200	FLOAT ARM PIN	1		
4-017.1	603-22900-800	NEEDLE VALVE COMP.	1	M	
4-017.1	603-22915-800	NEEDLE VALVE COMP.	1		
4-018.1	628-22900-200	FLOAT ARM	1		
4-019.1	604-22903-200	FLOAT	1		
4-020.1	629-22900-200	DRAIN GASKET	1	M	
4-020.1	629-22904-200	DRAIN GASKET	1		
4-021.1	994-31040-061	SCREW 4X6	1		
4-022.1	570-22903-200	GASKET	1		
4-023.1	990-11040-061	SCREW 4X6	1		
4-024.1	992-10040-012	S.WASHER 4	2		
4-001	560-20445-200	RUBBER CAP	1		
4-002	597-20110-200	CABLE ADJUSTER	1		
4-003	991-01060-003	NUT 6	1		
4-004	595-21303-200	BODY CAP	1		
4-005	594-20110-200	THROTTLE VALVE SPRING	1		
4-006	619-20110-200	THROTTLE SPRING RECEIVE	1		
4-007	592-2008T-920	JET NEEDLE ASS'Y #073	1		
4-008	593-20400-200	JET NEEDLE CLIP	1		
4-009	591-2018T-200	THROTTLE VALVE	1		
4-010	561-20445-900	BODY BAND ASS'Y	1		
4-011	571-20400-200	FLANGE GASKET	1		
4-012	622-20445-200	IDLE ADJUST SCREW	1		
4-013	623-20445-200	IDLE ADJUST SPRING	1		
4-014	994-34040-100	SCREW 4X10/S	2		
4-015	550-21700-200	O-RING	1		
4-016	602-20445-200	NEEDLE SEAT	1		
4-017	603-20110-200	NEEDLE VALVE	1		
4-018	628-20202-200	FLOAT ARM	1		
4-019	605-21700-200	FLOAT ARM PIN	1		
4-020	598-2004T-850	NEEDLE JET 2.085	1		
4-021	599-2001T-680	MAIN JET #68	1		
4-022	604-20110-200	FLOAT	1		
4-023	607-20110-200	FLOAT CHAMBER GASKET	1		
4-024	606-20202-200	FLOAT CHAMBER V/THREAD	1		
4-025	629-20445-200	DRAIN SCREW GASKET	1		
4-026	990-11040-051	SCREW 4X5	1		

# FIG.5 HANDLE & BRACKET



870-35552-00

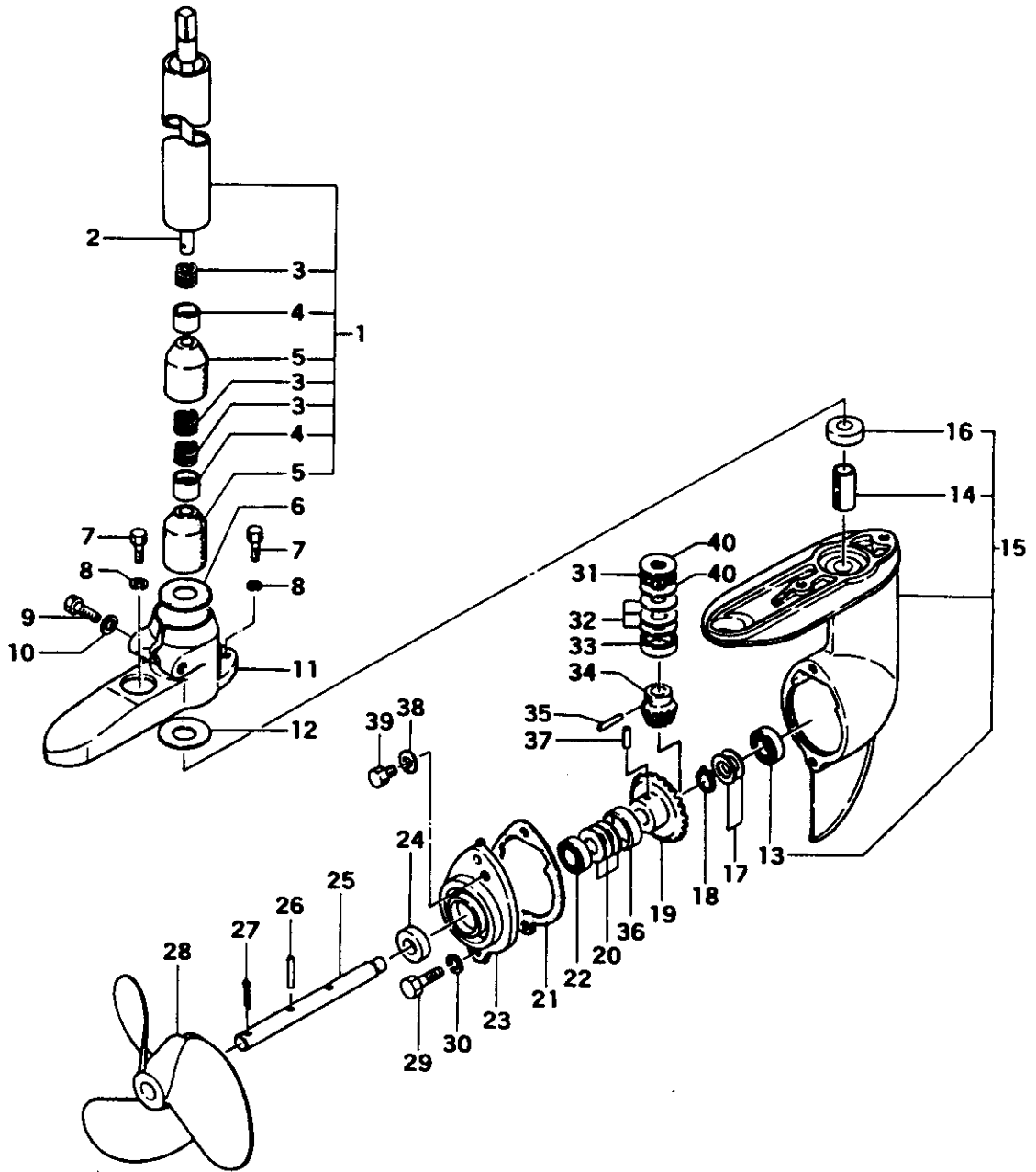


REF. NBR	PART NBR	PART NAME	QTY	SERIAL NBR	REMARKS
5-000.1	870-00005-930	THROTTLE LEVER ASS'Y	1	R -B059855	
5-000.1	870-00589-900	THROTTLE LEVER ASS'Y	1	-C190852	
5-000	870-35552-910	TWIST GRIP ASS'Y	1	M	
5-000	870-35552-900	TWIST GRIP ASS'Y	1	M C190853-	
5-001.1	885-01048-800	THROTTLE WIRE	1	-C190852	
5-001	885-01058-800	THROTTLE WIRE COMP.	1	M C190853-	
5-003	990-11050-252	SCREW 5X25	1	I -B059855	
5-003	990-11050-202	SCREW 5X20	1	D C190853-	
5-004	991-01050-021	NUT 5	1	D C190853-	
5-005	200-35300-800	CLUTCH DRUM COMP.	1		
5-006	993-51042-002	STOP RING C42	1		
5-007	999-61600-400	BALL BEARING #6004. 42MM/OD	1	R -A174834	
5-007	999-61600-404	BALL BEARING #6004DD. 42MM/OD	1	A174835-	
5-008	993-50020-002	STOP RING C20	1		
5-009	185-35300-201	CLUTCH CASE	1	R -A174834	
5-009	185-35300-202	CLUTCH CASE	1	R -B080101	
5-009	185-35300-203	CLUTCH CASE	1	R -J048190	
5-009	185-35300-204	CLUTCH CASE	1	J048191-	
5-010	990-11060-222	SCREW 6X22	2	M	
5-010	990-21060-202	BOLT 6X20	2	M	
5-010	990-21060-252	HEX. BOLT 6X25	2		
5-011	992-10060-042	S.WASHER 6	2		
5-012	990-11050-202	SCREW 5X20	4		
5-013	992-10050-042	S.WASHER 5	4		
5-014	161-35500-202	HANDLE STOPPER	1		
5-015	793-10200-200	STEP BOLT	1	R -A263161	
5-015	793-10200-201	STEP BOLT	1	A263162-	
5-016	992-04060-030	WAVE WASHER 6	1	-C190852	
5-016	992-04080-031	WAVE WASHER 8	1	M C190853-	
5-017.1	160-35500-900	HANDLE STEERING ASS'Y	1	-C190852	
5-017	160-35552-800	STEERING HANDLE COMP.	1	M C190853-	
5-019	162-35500-200	HANDLE WASHER	2		
5-020	990-21080-302	BOLT 8X30	1		
5-021	992-01080-041	WASHER 8	1		
5-022	991-01080-021	NUT 8	1		
5-023	992-10080-042	S.WASHER 8	1		
5-024	134-35500-201	THRUST WASHER	1		
5-025	115-35300-200	BRACKET	1	R -A111767	
5-025	115-35300-210	BRACKET	1	A111768-	
5-026	131-35500-200	THRUST BRACKET	4	-C190852	
5-026	131-35306-200	THRUST BRACKET	4	P C190853-	
5-027	136-35500-200	RETURN CAM	1	R -B059855	
5-027	136-35500-201	RETURN CAM	1	B059856-	
5-028	990-11060-102	SCREW 6X10	1	M	
5-028	990-21060-102	HEX. BOLT 6X10	1		
5-029	990-11050-162	SCREW 5X16	1		
5-030	992-10050-042	S.WASHER 5	1		
5-031	137-35500-201	RETURN CAM GUIDE	1		
5-032	138-35500-201	RETURN GUIDE PLATE	1		
5-033	992-10050-042	S.WASHER 5	4		
5-034	990-11050-122	SCREW 5X12	4		
5-035	139-35500-200	RETURN SPRING	1		
5-036	129-35100-200	BRACKET PIN STOPPER A	1		
5-037	123-35500-201	BRACKET PIN S	1		
5-038	107-35119-800	CLAMP BRACKET B COMP.	1	R -C190852	
5-038	107-35119-801	CLAMP BRACKET B COMP.	1	C190853-	
5-039	106-35119-800	CLAMP BRACKET A COMP.	1	R -C190852	
5-039	106-35119-801	CLAMP BRACKET A COMP.	1	C190853-	
5-040	990-21060-732	BOLT 6X73	1	-C190852	
5-040	990-21060-752	BOLT 6X75	1	M C190853-	
5-041	108-35501-200	CLAMP BRACKET BUSHING	2		
5-042	991-41060-022	CAP NUT 6	1		
5-043	992-10060-042	S.WASHER 6	1		

- To be cont'd -

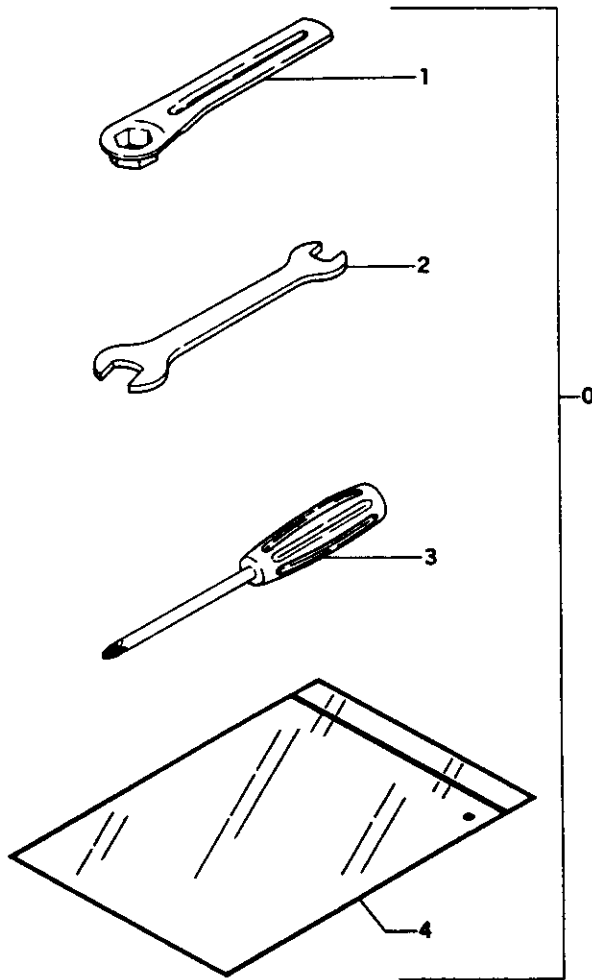
REF. NBR	PART NBR	PART NAME	QTY	SERIAL NBR	REMARKS
5-044	992-01080-041	WASHER 6	1		
5-045	871-35552-200	THROTTLE GRIP	1	N C190853-	
5-046	872-35552-200	THROTTLE INNER PIPE	1	N C190853-	
5-047	873-35552-200	THROTTLE HOLDER A	1	N C190853-	
5-048	874-35552-800	THROTTLE HOLDER B COMP.	1	N C190853-	
5-048	874-35552-200	THROTTLE HOLDER B	1	N C190853-	
5-049	875-35552-200	THROTTLE HOLDER COVER	1	N C190853-	
5-050	876-35552-200	WIRE GUIDE	1	N C190853-	
5-051	879-35552-200	TAPPING SCREW	2	N C190853-	
5-052	990-11050-202	SCREW 5X20	2	N C190853-	
5-053	991-01050-021	NUT 5	2	N C190853-	
5-054	877-35552-200	THROTTLE STOPPER	1	N C190853-	
5-055	878-35552-200	THROTTLE STOPPER SPRING	1	N C190853-	
5-056	903-32201-200	WIRE CLAMP BAND	1	N C190853-	

**FIG.6 DRIVE SHAFT PIPE & GEAR CASE**



REF. NBR	PART NBR	PART NAME	QTY		SERIAL NBR	REMARKS
6-001	090-35300-900	DRIVE SHAFT ASS'Y	1	R	-C190852	
6-001	090-35306-900	DRIVE SHAFT PIPE ASS'Y	1		C190853-	
6-002	075-35300-800	DRIVE SHAFT COMP.	1			
6-003	086-35500-200	BEARING HOLDER CLIP	3			
6-004	999-82101-521	NEEDLE BEARING 1015	2			
6-005	039-35500-200	BEARING HOLDER	2			
6-006	091-35500-200	DRIVE SHAFT PIPE GASKET	1			
6-007	990-11060-182	SCREW 6X18	2	M		
6-007	990-21060-182	BOLT 6X18	2			
6-008	992-10060-042	S.WASHER 6	2			
6-009	990-21080-402	BOLT 8X40	1			
6-010	992-10080-042	S.WASHER 8	1			
6-011	034-35500-200	GEAR CASE HOLDER	1	I	-C042944	
6-011	034-35500-201	GEAR CASE HOLDER	1		C042945-	
6-012	091-35500-200	DRIVE SHAFT PIPE GASKET	1			
6-013	999-81800-000	BALL BEARING #6000, 28MM/OD	1			
6-014	032-35500-210	PLAIN BEARING	1			
6-015	031-35500-900	GEAR CASE ASS'Y	1			
6-016	999-86102-209	OIL SEAL 10228	1			
6-017	171-35500-201	PROPELLER SHAFT SHIM A 0.10	V			
6-017	173-35500-200	PROPELLER SHAFT SHIM A 0.20	V			
6-017	174-35500-200	PROPELLER SHAFT SHIM A 0.30	V			
6-017	175-35500-200	PROPELLER SHAFT SHIM A 1.0	V			
6-018	013-35500-200	STOP RING	1	I	-A131127	
6-018	993-50010-002	STOP RING C-10 EX	1		A131128-	
6-019	017-38120-201	GEAR	1			
6-020	330-00200-210	GEAR SHAFT SHIM 0.10	V			
6-020	330-00200-230	GEAR SHAFT SHIM 0.20	V			
6-020	330-00200-240	GEAR SHAFT SHIM 0.30	V			
6-021	048-35500-202	GEAR CASE GASKET	1			
6-022	999-81800-100	BALL BEARING #6001, 28MM/OD	1			
6-023	046-35500-200	GEAR CASE COVER	1			
6-024	999-86122-266	OIL SEAL 12227	1			
6-025	019-35500-201	PROPELLER SHAFT	1			
6-026	012-35500-200	SHEAR PIN	1			
6-027	011-35100-200	COTTER PIN	1			
6-028	010-35300-200	PROPELLER	1		-C190852	
6-028	010-35306-200	PROPELLER	1	P	C190853-	
6-029	990-11060-182	SCREW 6X18	2	M		
6-029	990-21060-182	BOLT 6X18	2			
6-030	992-11060-042	S.WASHER 6	2	M		
6-030	992-10060-042	S.WASHER 6	2			
6-031	999-62102-463	THRUST BEARING 1024	1			
6-032	063-35500-200	DRIVE SHAFT SHIM 0.50	V			
6-032	064-35500-200	DRIVE SHAFT SHIM 0.10	V			
6-032	065-35500-200	DRIVE SHAFT SHIM 0.05	V			
6-032	066-35500-200	DRIVE SHAFT SHIM 0.20	V			
6-033	062-35500-200	PINION COLLAR	1			
6-034	060-35300-200	PINION	1			
6-035	061-35500-200	PINION PIN 4X18	1			
6-036	026-35500-200	GEAR COLLAR	1			
6-037	025-35500-200	GEAR PIN	1			
6-038	317-02000-200	DRAIN GASKET 6	1	I	-J048190	
6-038	727-01040-201	DRAIN GASKET	1		J048191-	
6-039	990-11060-082	DRAIN SCREW 6X8	1	M		
6-039	990-21060-082	BOLT 6X8	1			
6-040	999-62102-464	THRUST WASHER 1024	2			

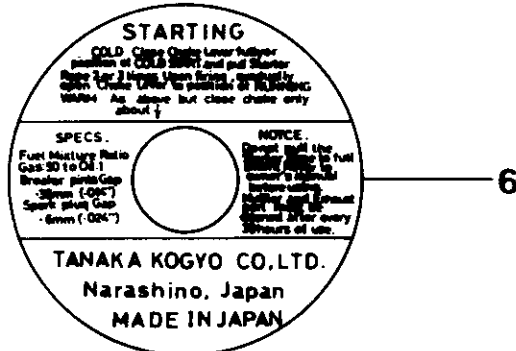
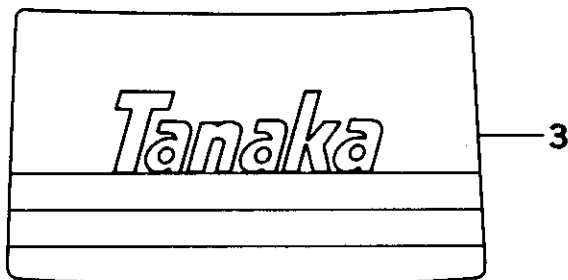
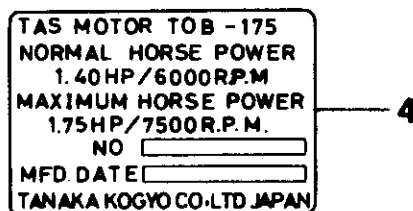
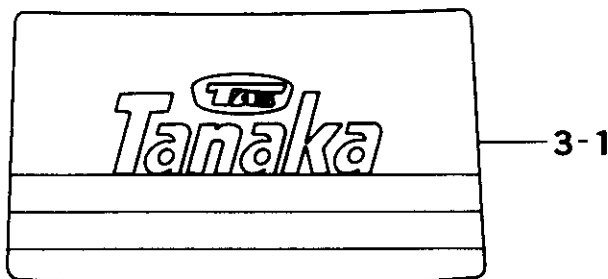
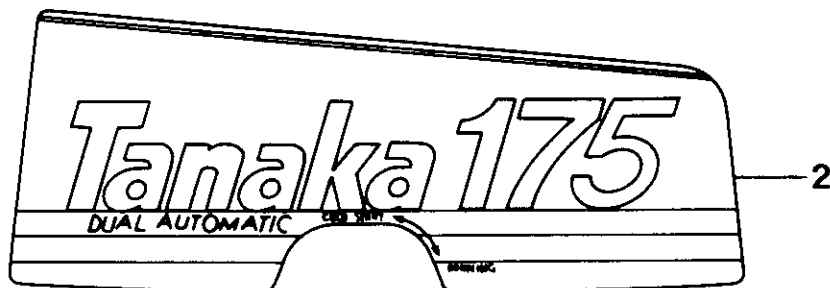
# FIG.7 TOOLS



REF. NBR	PART NBR	PART NAME	QTY	SERIAL NBR	REMARKS
7-000	985-35304-900	TOOL KIT	1		
7-001	851-20000-201	SPARK PLUG BOX SPANNER	1		
7-002	808-20000-200	SPANNER 10X13	1		
7-003	862-20000-200	PLUS DRIVER 4	1		
7-004	948-32352-200	TOOL BAG	1	-J048190	
7-004	948-39907-200	TOOL BAG	1	J048191-	



**FIG.8 MARKS**



REF. NBR	PART NBR	PART NAME	QTY	SERIAL NBR	REMARKS
8-001	330-35301-200	RIGHT SIDE MARK (U.S.A.)	1		
8-002	331-35301-200	LEFT SIDE MARK (U.S.A.)	1		
8-003, 1	908-35301-200	NAME PLATE	1	R -J048190	
8-003	908-35301-201	NAME PLATE	1	J048191-	
8-004	907-35304-201	NAME PLATE A	1		
8-005	965-35123-200	2-DAY SERVICE PROMIS MARK	1	N H016543-	
8-006	336-35115-200	STARTER MARK	1	D D113149-	

Part No	Description	US Retail	S	D	Part No	Description	US Retail	S	D
0020050120	CYLINDER	\$64.35	C	b	03900000201	CIRCLIP,PISTON PIN	\$0.81	A	b
00201046800	CYLINDER	\$81.95	D	b	03901000200	CIRCLIP,PISTON PIN	\$0.76	D	b
0021020081	CYLINDER	\$92.95	C	b	03902000201	CIRCLIP,PISTON PIN	\$0.81	A	b
00212700200	CYLINDER	\$191.02	D	b	03912700201	CIRCLIP,PISTON PIN	NLA	\$1.30	E b
00535100800	SHAFT,PROPELLER	\$71.40	C	b	03935100203	HOLDER,BEARING	\$1.39	C	b
00935600800	CAP,PROPELLER	NLA	\$14.53	E b	03935500200	HOLDER,BEARING	\$2.55	C	b
01035118200	PROPELLER	NLA	\$42.75	E b	04001000201	RING,PISTON	\$12.64	C	b
01035555200	PROPELLER	\$53.31	B	b	04010100200	RING,PISTON, TOP	\$12.79	A	b
01035600800	R-B 01035600810 PROP	\$62.46	F	b	04012700200	RING,PISTON	\$15.27	D	b
01035600810	R-B 01035600820 PROP	\$62.46	F	b	04100000210	R-B 04100000212 RING	\$6.82	F	b
01135100201	PIN,COTTER	\$0.97	C	b	04101000201	RING,PISTON,LOWER	\$7.46	B	b
01235100201	PIN,SHEAR,TOB	\$0.87	A	b	04110100201	RING,PISTON	\$6.82	A	b
01235500200	PIN,SHEAR	\$0.87	A	b	04535100801	COVER,GEAR CASE	\$48.65	C	b
01435100201	SHIM,9.3X18X1.0	\$0.76	C	b	04600501803	CRANKSHAFT	\$127.05	D	b
01435100250	SHIM,9.3X25X1.0	\$0.76	D	b	04600557801	CRANKSHAFT	\$127.05	D	b
01535100200	SHIM,9.3X18X.10	\$0.76	C	b	04601003804	CRANKSHAFT	NLA	\$121.28	E b
01535100250	SHIM,9.3X25X.10	\$0.76	C	b	04601058800	CRANKSHAFT	\$159.53	D	b
01601046200	SHROUD,CYLINDER	NLA	\$24.21	E b	04610201802	CRANKSHAFT	NLA	\$193.81	E b
01610201201	R-B 01610205201 SHROUD	\$24.67	F	b	0461024280	CRANKSHAFT	\$132.83	D	b
01612700200	COVER,CYLINDER	NLA	\$76.47	E b	04610242800	R-B 0461024280 CRANKSHAFT	\$132.83	F	b
01635100201	SHIM,9.3X18X.20	\$0.76	C	b	04612700800	CRANKSHAFT	NLA	\$230.80	E b
01635100250	SHIM,9.3X25X.20	NLA	\$0.76	E b	04635500200	COVER,GEAR CASE	\$35.75	C	b
01700501202	GASKET,CYLINDER	\$2.04	B	b	04635600200	COVER,GEAR CASE	NLA	\$49.62	E b
01701000204	GASKET,CYLINDER	\$1.69	C	b	04635600900	COVER,GEAR CASE ASS'Y	NLA	\$86.61	E b
0171020021	GASKET,CYLINDER	\$1.93	A	b	04735600200	BEARING,PLAIN	NLA	\$29.25	E b
01712700201	GASKET,CYLINDER	NLA	\$1.84	E b	04835100203	GASKET,GEAR CASE	\$1.17	A	b
01735600800	GEAR,FRONT	NLA	\$83.99	E b	04835500202	GASKET,CASE,GEAR	\$1.45	A	b
01736120201	GEAR	NLA	\$39.48	E b	05535600800	GEAR,REVERSE	\$83.55	D	b
01801805200	PLUG,SPARK	\$4.95	B	b	06035100205	PINION	\$40.49	C	b
01812700200	PLUG,SPARK	NLA	\$4.95	E b	06035300200	PINION	\$32.88	C	b
01935500201	R-B 01935500202 SHAFT	\$26.27	F	b	06035600200	PINION	NLA	\$30.00	E b
01935600200	SHAFT,PROPELLER	NLA	\$150.52	E b	06135100201	PIN,PINION	\$1.17	C	b
02135100201	HOLDER,PIN	NLA	\$1.30	E b	06135500200	PIN,PINION,4X16	\$0.97	C	b
02235100200	SHIM,9.3X18X.30	\$0.76	C	b	06235100202	COLLAR,PINION	\$1.95	D	b
02235100250	SHIM,9.3X25X.30	\$0.76	C	b	06235500200	COLLAR,PINION	\$1.95	C	b
02535500200	PIN,GEAR	\$1.84	C	b	06335100200	SHIM,8.3X20X.50	\$0.76	D	b
02635100201	COLLAR,GEAR	\$4.82	D	b	06335500200	SHIM,10.3X24X.50	\$0.76	C	b
02635500200	COLLAR,GEAR	\$6.50	D	b	06435100200	SHIM,8.3X20X.10	\$0.76	C	b
02712700200	SPACER,CYLINDER	\$4.94	D	b	06435500200	SHIM,10.3X24X1.0	\$0.76	C	b
03035100900	CASE,GEAR,ASS'Y	NLA	\$70.95	E b	06500000200	WASHER,FLYWHEEL	\$0.76	D	b
03100500200	PISTON	\$36.55	C	b	06535100201	SHIM,8.3X20X1.5	\$1.30	D	b
03101000200	PISTON	\$40.05	D	b	06535500200	SHIM,10.3X24X1.5	\$0.76	C	b
03110100210	PISTON	\$46.75	A	b	06600000200	NUT,FLYWHEEL	\$0.76	C	b
03112700200	PISTON	NLA	\$66.59	E b	06635100200	SHIM,8.3X20X.20	\$0.76	D	b
03135500900	CASE,GEAR ASSY	\$115.40	C	b	06635500200	SHIM,10.3X24X.20	\$0.76	C	b
03135600900	CASE,GEAR ASS'Y	NLA	\$211.81	E b	06735600200	WASHER,PINION	\$2.04	D	b
03235100205	BEARING,PLAIN L	\$9.46	C	b	06802000200	KEY,WOODRUFF,3X13X5	\$1.08	C	b
03235500210	BEARING,PLAIN,L	\$14.85	C	b	06835600200	DOG,CLUTCH	NLA	\$56.99	E b
03235600200	BEARING,PLAIN,L	NLA	\$38.08	E b	07000601201	WASHER,CRANKSHAFT 12X18	\$0.76	D	b
03435500201	HOLDER,GEAR CASE	\$48.29	D	b	07002401201	WASHER,CRANKSHAFT 15X22	\$0.76	C	b
03435600201	HOLDER,GEAR CASE	NLA	\$72.33	E b	07035600200	GUIDE,DRIVE SHAFT	NLA	\$42.13	E b
03700000200	PIN,PISTON	\$6.13	C	b	07102007200	SHIM,15.2X20X.05	\$0.76	D	b
0370100020	PIN,PISTON	\$5.87	C	b	07102007210	SHIM,15.2X20X.10	\$0.76	C	b
03710100200	PIN,PISTON,10X35	\$4.94	B	b	07102007220	SHIM,15.2X20X.15	\$0.76	D	b
03712700200	PIN,PISTON	NLA	\$7.22	E b	07111600230	SHIM,16X21X.20	\$0.76	D	b
03800000200	BUSHING,PISTON PIN	\$6.48	C	b	07111600240	SHIM,16X21X.30	\$0.76	C	b

Part No	Description	US Retail	S	D	Part No	Description	US Retail	S	D
07112100200	SHIM,20.7X26X.05	\$0.76	D	b	12235600800	PIN,BRACKET,CLAMP	\$26.10	D	b
07135600200	PACKING,SHAFT GUIDE A	NLA \$1.95	E	b	12335500201	PIN,BRACKET S	\$5.48	B	b
07200557900	CRANKCASE,ASS'Y	\$126.95	D	b	12535600200	STOPPER,BRACKET	NLA \$2.62	E	b
07201058900	CRANKCASE,ASS'Y	\$144.38	D	b	12712700200	FAN	NLA \$45.82	E	b
07210201900	CRANKCASE ASSY	\$171.15	D	b	12935100201	STOPPER,BRACKET PIN A	\$0.76	C	b
0721024291	CRANKCASE ASSY	\$171.15	D	b	13135118200	BRACKET,THRUST	\$2.72	C	b
07212700901	CRANKCASE,ASS'Y	NLA \$218.30	E	b	13135306200	BUSHING,THRUST	\$2.72	C	b
07235600200	PACKING,SHAFT GUIDE	NLA \$1.95	E	b	13135600800	BRACKET,THRUST	NLA \$60.45	E	b
07335600200	CLIP,DRIVE SHAFT	\$1.17	D	b	13235600201	PLATE,BRACKET,THRUST	NLA \$19.34	E	b
07535100206	SHAFT,DRIVE	\$21.19	C	b	13435109201	PLATE,ADJUSTING	NLA \$19.60	E	b
07535300800	SHAFT,DRIVE	\$38.17	C	b	13435500201	WASHER,THRUST	\$4.92	D	b
07535600800	DRIVE SHAFT 562MM	NLA \$87.69	E	b	13635500201	CAM,RETURN	\$25.22	C	b
07535605800	DRIVE SHAFT 676MM	NLA \$44.00	E	b	13635600800	CAM,RETURN	NLA \$12.41	E	b
07635100203	PIN,DRIVE	\$1.30	C	b	13735500201	GUIDE,RETURN CAM	NLA \$11.56	E	b
07935100801	ADAPTER	\$21.76	C	b	13835500201	PLATE,RETURN GUIDE	NLA \$12.64	E	b
08135100200	BEARING,DRIVE SHAFT	\$13.19	C	b	13835600800	PLATE,RETURN GUIDE	NLA \$42.93	E	b
08635100200	CLIP,BEARING HOLDER	\$1.08	C	b	13935500200	SPRING,RETURN	NLA \$0.76	E	b
08635500200	CLIP,BEARING HOLDER	\$0.76	C	b	13935600200	SPRING,RETURN GUIDE,R	NLA \$2.04	E	b
09000501203	GASKET,CRANKCASE	\$1.45	C	b	14235600200	SPRING,RETURN GUIDE,L	NLA \$2.04	E	b
09001000200	GASKET,CRANKCASE	\$2.22	D	b	14435600200	WASHER,PLATE,GUIDE	NLA \$1.17	E	b
09010200203	R-B 0901020021 GASKET	\$1.95	F	b	14535118200	HOLDER,JOINT PIPE	\$31.15	C	b
0901020021	GASKET,CRANKCASE	\$1.95	C	b	15035109200	WASHER,THRUST	\$4.92	D	b
09012700200	GASKET,CRANKCASE	NLA \$2.04	E	b	15135600200	CLIP,THRUST BRACKET	NLA \$4.69	E	b
09035118900	PIPE,JOINT,ASS'Y	\$52.73	C	b	15235600200	SPRING,THRUST BRACKET	\$1.08	D	b
09035306900	PIPE,DRIVE SHAFT ASSY	\$69.80	C	b	15321620800	COIL,IGNITION	NLA \$134.59	E	b
09035600201	R-B 09035600202 PIPE	\$111.19	F	b	15521620800	ROTOR,MAGNETO	NLA \$215.20	E	b
09035605201	R-B 09035605202 PIPE	\$154.39	F	b	15521708900	ROTOR,MAGNETO ASS'Y	\$86.58	D	b
09135100202	GASKET,DRIVE SHAFT PIPE	\$0.76	C	b	15521711900	ROTOR,MAGNETO ASS'Y	\$74.50	C	b
09135500200	GASKET,DRIVE SHAFT PIPE	\$0.76	C	b	15521717801	ROTOR,MAGNETO	\$86.35	C	b
09135600200	PACKING,JOINT PIPE	NLA \$0.76	E	b	15521737900	ROTOR,MAGNETO ASS'Y	\$63.26	D	b
09735600200	CAP,BRACKET STAND	NLA \$1.32	E	b	15621620900	STATOR,ASS'Y	NLA \$143.17	E	b
09835600201	BUSHING,BRACKET STAND A	NLA \$2.10	E	b	15701570900	CAP,SPARK PLUG,ASSEMBLY	\$4.39	B	b
09935600201	BUSHING,STAND,BRACKET,B	NLA \$2.10	E	b	15712700900	CAP,SPARK PLUG ASS'Y	NLA \$4.14	E	b
10001000200	BOLT,STUD,6X29	\$0.76	D	b	15721620200	BASE,STATOR	NLA \$48.96	E	b
10012700200	BOLT,STUD,8X33	NLA \$10.10	E	b	15920201901	BREAKER,CONTACT ASSEMBLY	NLA \$44.03	E	b
10012701200	BOLT,STUD,6X50	NLA \$4.14	E	b	15920701901	BREAKER,CONTACT ASS'Y	\$34.13	C	b
10035600801	STAND,BRACKET	NLA \$31.01	E	b	15920702900	BREAKER,CONTACT ASS'Y	NLA \$28.83	E	b
10135600200	SPRING,BRACKET STAND R	NLA \$4.94	E	b	15921401870	R-B 15921401872 IGNITOR	\$75.09	F	b
10235600200	SPRING,BRACKET STAND L	NLA \$4.94	E	b	16035118901	HANDLE,STEERING ASS'Y	\$38.17	D	b
10435600200	BAR,CLAMP BRACKET	NLA \$11.97	E	b	16035500900	HANDLE,STEERING ASSEMBLY	\$24.75	D	b
10635119801	BRACKET	\$52.17	C	b	16035552800	HANDLE,STEERING	NLA \$24.75	E	b
10635600800	BRACKET,CLAMP A	NLA \$74.93	E	b	16035600800	ARM,STEERING	NLA \$67.91	E	b
10735118801	BRACKET,CLAMP,B	NLA \$63.70	E	b	16135118200	STOPPER,HANDLE	\$2.82	D	b
10735600800	BRACKET,CLAMP B	NLA \$74.93	E	b	16135500202	STOPPER,HANDLE	\$4.14	C	b
10835501200	BUSHING,CLAMP BRACKET	\$1.84	C	b	16135600200	STOPPER,ARM	NLA \$7.71	E	b
10835600200	SPACER,CLAMP BRACKET	\$3.88	D	b	16235118200	WASHER,HANDLE	\$1.17	D	b
11200501203	CASE,FAN	\$59.13	D	b	16235500200	WASHER,HANDLE	\$0.76	D	b
1120051Q200	CASE,FAN	NLA \$36.42	E	b	16335118200	BOLT,HANDLE MOUNTING	\$4.41	C	b
11201046200	CASE,FAN	\$80.58	D	b	16635118200	PIN,SNAP	NLA \$0.76	E	b
11201058200	CASE,FAN	\$80.58	D	b	16720748800	COIL,IGNITION	NLA \$54.12	E	b
11210242200	CASE,FAN	\$78.68	D	b	16720751801	COIL,IGNITION	\$61.55	C	b
11212700810	CASE,FAN	NLA \$161.30	E	b	16720753800	COIL,IGNITION	NLA \$55.35	E	b
11335109200	HOLDER,BRACKET PIN	NLA \$9.32	E	b	16720759800	COIL,IGNITION	NLA \$66.35	E	b
11535300210	BRACKET	\$73.25	C	b	16721951800	COIL,IGNITION	\$90.88	C	b
11535500204	BRACKET	NLA \$75.04	E	b	16721954800	COIL,IGNITION	\$86.35	B	b
11535600200	BRACKET,TRANSOM	NLA \$87.73	E	b	16735600201	BRACKET,STEERING ARM	NLA \$53.25	E	b

Part No	Description	US Retail	S	D	Part No	Description	US Retail	S	D
16835600201	CUSHION,ARM	NLA	\$2.04	E b	22635100201	STAY,MUFFLER PIPE A	\$1.77	D	b
16935600200	SPACER	NLA	\$4.94	E b	22635500200	STAY,PIPE A	\$3.38	D	b
17001046800	BUTTON,STOP		\$9.32	D b	22635600201	STAY,MUFFLER PIPE	NLA	\$23.19	E b
17010218800	BUTTON,STOP	NLA	\$7.40	E b	22735100203	STAY,MUFFLER PIPE B	\$14.86	D	b
17010242800	BUTTON,STOP		\$7.40	D b	22735500200	STAY,MUFFLER PIPE B	\$19.15	D	b
17021620800	COIL,PRIMARY	NLA	\$78.80	E b	23035600801	PIPE,MUFFLER INNER	NLA	\$26.06	E b
17121620800	COIL,LIGHTING	NLA	\$33.54	E b	23035605800	PIPE,INNER,MUFFLER	NLA	\$31.45	E b
17135500201	SHIM,10.1X16X0.10		\$0.76	C b	23235600800	BRACKET,INNER PIPE	NLA	\$28.77	E b
17300801801	CORD,PRIMARY		\$2.72	D b	23535600200	GASKET,INNER PIPE		\$0.97	D b
17301046800	CORD,PRIMARY		\$2.97	D b	24620701201	CAM,MAGNETO		\$7.40	D b
17301058800	CORD,PRIMARY		\$4.49	D b	24701000201	SPRING,SUPPORT,CAM		\$0.76	C b
17320702804	CORD,PRIMARY	NLA	\$3.60	E b	25601046200	COVER,SPARK PLUG		\$2.29	C b
17335500200	SHIM,10.1X16X.20		\$0.76	C b	26237101200	SPRING,STOP SWITCH		\$3.65	C b
17435500200	SHIM,10.1X16X.30		\$0.76	D b	26612700200	COVER,STOP BUTTON		\$1.17	C b
17512700900	TERMINAL,RED	NLA	\$5.41	E b	27410242800	CORD,GROUND		\$2.50	C b
17535500200	SHIM,10.1X16X1.0		\$0.76	D b	29010112802	ARM,CLUTCH		\$18.02	A b
17612700900	TERMINAL,EARTH,BLACK	NLA	\$4.94	E b	29012700800	ARM,CLUTCH	NLA	\$20.79	E b
17635600200	SHIM,PROPELLER SHAFT,1.4	NLA	\$2.04	E b	30035100200	R-B 3003510090 SHROUD		\$43.75	F b
17720701801	CONDENSER		\$14.95	C b	30035300202	SHROUD,ENGINE,WHITE	NLA	\$26.95	E b
17810100800	CORD,STOP	NLA	\$2.18	E b	30035500201	R-B 30035505200 SHROUD		\$59.13	F b
18001004200	NUT,7		\$2.72	C b	30035558200	R-B 40170 SHROUD W/DECALS		\$26.95	F b
18101004200	WASHER,SPECIAL		\$0.76	C b	30035600200	SHROUD,ENGINE	NLA	\$144.46	E b
18535300204	CASE,CLUTCH	NLA	\$42.35	E b	30535500200	CUSHION		\$6.04	C b
18535600200	R-B 18535600201 CASE		\$96.00	F b	30535600200	CUSHION,HOLDER	NLA	\$3.49	E b
18635600200	BEARING,PLAIN		\$25.39	D b	30735600200	HOLDER,COVER	NLA	\$11.97	E b
18912700200	TERMINAL,RED	NLA	\$3.38	E b	31021620800	RECTIFIER	NLA	\$53.64	E b
19012700200	TERMINAL,BLACK	NLA	\$2.04	E b	31612700200	GASKET,DRAIN	NLA	\$0.76	E b
19100501201	COVER,CONTACT POINT	NLA	\$4.06	E b	31702000200	R-B 72701040201 GASKET		\$0.76	F b
19101047200	COVER,CONTACT POINT		\$8.81	D b	31711401200	GASKET,GROMMET		\$0.64	D b
19110201200	COVER,CONTACT POINT		\$1.95	D b	33000200210	SHIM,12.2X19X.10		\$0.76	C b
19521620200	CLAMP,CORD	NLA	\$1.84	E b	33000200230	SHIM,12.2X19X.20		\$0.76	C b
19621620200	CLAMP,CORD,B	NLA	\$1.84	E b	33000200240	SHIM,12.2X19X.30		\$0.76	C b
19800501200	CLAMP,CORD	NLA	\$1.17	E b	33035115200	DECAL,RIGHT	NLA	\$13.06	E b
19801046900	R-B 19801046200 CLAMP		\$0.76	F b	33035551200	DECAL,RIGHT		\$13.06	C b
19805015800	CLAMP,CORD		\$0.76	C b	33035600202	DECAL,RIGHT	NLA	\$34.00	E b
19811109200	CLAMP,CORD		\$0.76	D b	33035601202	DECAL,RIGHT		\$34.00	D b
20035300800	SHAFT,CLUTCH		\$41.15	C b	33135115200	DECAL	NLA	\$13.06	E b
20035600810	R-B 20035600820 SHAFT		\$126.91	F b	33135551200	DECAL,LEFT		\$13.06	C b
20035600820	SHAFT,CLUTCH	NLA	\$126.91	E b	33135600201	DECAL,LEFT	NLA	\$34.00	E b
20201003201	GROMMET,SECONDARY CORD		\$0.76	C b	33135601201	DECAL,LEFT	NLA	\$34.00	E b
20210200201	GROMMET,SECONDARY CORD		\$0.97	C b	33301046200	BASE,CLUTCH HOLDING		\$38.86	D b
20301000201	GROMMET,PRIMARY CORD		\$0.76	D b	33635115200	DECAL,STARTER	NLA	\$1.89	E b
20301225201	GROMMET		\$0.76	D b	34210205220	SPRING,CLUTCH		\$2.27	A b
20321620200	GROMMET	NLA	\$3.18	E b	34212700220	SPRING,CLUTCH	NLA	\$4.92	E b
20500501200	TAB,TERMINAL		\$0.76	D b	34701046201	FLANGE,CLUTCH		\$33.06	C b
21035300800	SPRING,CLUTCH		\$11.40	C b	34712700800	FLANGE,CLUTCH	NLA	\$46.78	E b
21035600810	R-B 21035600820 SPRING		\$15.27	F b	35535600200	GUIDE,ROD,RUBBER	NLA	\$3.84	E b
21035600820	SPRING,CLUTCH	NLA	\$15.27	E b	35710112204	BOLT,CLUTCH STEP		\$7.22	A b
22035100203	PIPE,MUFFLER	NLA	\$36.75	E b	35712700200	BOLT,CLUTCH STEP	NLA	\$10.54	E b
22035300200	PIPE,MUFFLER		\$37.63	C b	35810112201	WASHER,CLUTCH		\$0.83	A b
22035600210	PIPE,MUFFLER	NLA	\$77.45	E b	35910112203	WASHER,CLUTCH B		\$0.81	A b
22035605210	PIPE,MUFFLER (L)	NLA	\$69.05	E b	39001046200	MANIFOLD,INLET		\$5.29	D b
22135100200	GASKET,MUFFLER PIPE		\$1.49	C b	39300004201	MANIFOLD,INLET		\$4.82	C b
22135500200	GASKET,MUFFLER PIPE	NLA	\$1.90	E b	39300005203	MANIFOLD,INLET		\$3.21	D b
22535100203	STAY,MUFFLER PIPE		\$13.06	D b	39302500201	MANIFOLD,INLET		\$15.97	C b
22535500200	STAY,MUFFLER PIPE		\$17.15	D b	39312700201	BODY,INTAKE	NLA	\$21.44	E b

Part No	Description	US Retail	S	D	Part No	Description	US Retail	S	D
39401202201	VALVE, REED	NLA	\$2.72	E b	49322701200	VALVE, CHOKE	NLA	\$3.49	E b
39412700210	VALVE, REED	NLA	\$4.49	E b	49512700801	CABLE, IDLE ADJUST	NLA	\$21.19	E b
39501225200	HOLDER, REED		\$1.30	D b	49622701200	SPRING, CHOKE	NLA	\$2.44	E b
39512700211	GUIDE, REED VALVE	NLA	\$4.41	E b	49712700200	BRACKET, CABLE	NLA	\$4.14	E b
39701202201	SEAT, REED VALVE		\$5.29	D b	49812700200	KNOB, IDLE ADJUST	NLA	\$2.74	E b
39712700210	SEAT, REED VALVE	NLA	\$6.04	E b	49822701200	NOZZLE, MAIN	NLA	\$25.22	E b
39801000202	GASKET, REED VALVE SEAT	NLA	\$0.76	E b	50012700200	BRACKET, IDLE ADJUST KNOB	NLA	\$3.49	E b
39812700200	GASKET, REED VALVE SEAT	NLA	\$1.32	E b	50021700200	GASKET, BANJO		\$1.64	D b
39901000200	COLLAR, REED VALVE		\$0.76	D b	50022901200	GASKET, FIBER		\$0.76	C b
39901000210	SPACER, BS-3 REED VALVE	NLA	\$0.76	E b	50022905200	GASKET, FUEL INLET		\$2.04	D b
39901000220	SPACER, REED VALVE, CS-3	NLA	\$0.76	E b	50121700900	R-B 50120110200 BOLT		\$12.11	F b
39901000230	SPACER, REED VALVE, DS-3	NLA	\$0.76	E b	50122900200	BOLT, BANJO		\$13.06	D b
40135100204	TANK, FUEL		\$23.30	C b	50212700200	CABLE, CONNECT IDLE ADJUST	NLA	\$2.44	E b
40135300200	TANK, FUEL	NLA	\$23.96	E b	50422701200	WASHER	NLA	\$1.45	E b
40135500200	TANK, FUEL		\$34.34	A b	50612700200	SPRING, IDLE ADJUST	NLA	\$1.08	E b
40135600900	TANK, FUEL, ASS'Y	NLA	\$88.85	E b	51912700200	LINK, CHOKE		\$2.29	D b
40212700200	GASKET, CARBURETOR	NLA	\$2.32	E b	52312700800	KNOB, CHOKE	NLA	\$7.11	E b
40300001200	GASKET, INLET MANIFOLD		\$0.76	C b	52522701200	GASKET, DRAIN		\$0.76	D b
40302000201	GASKET, INLET MANIFOLD		\$1.24	B b	52622006200	COLLAR		\$5.79	D b
40612700200	PLATE, REED VALVE	NLA	\$2.17	E b	53722701200	PLUG, 8	NLA	\$6.04	E b
41000517900	CLEANER, AIR ASS'Y		\$11.53	A b	54422701200	BRACKET, WIRE ADJUSTER	NLA	\$11.40	E b
41010201900	CLEANER, AIR, ASSEMBLY		\$11.53	A b	55021700200	O-RING		\$2.17	D b
42312700200	BODY, CARBURETOR COVER	NLA	\$20.57	E b	55022701200	R-B 57322912200 O-RING		\$1.32	F b
42412700200	CAP, CARBURETOR COVER	NLA	\$13.98	E b	55522701200	SCREW, THROTTLE SHAFT	NLA	\$0.76	E b
43322701200	PLATE, STOP	NLA	\$4.92	E b	55822701200	CLIP, NEEDLE VALVE	NLA	\$3.60	E b
43422701200	GASKET, PLATE, STOP	NLA	\$2.04	E b	56020445200	CAP, RUBBER		\$4.06	D b
43722701200	SLEEVE, SHAFT, LE	NLA	\$3.49	E b	56022602200	CAP, RUBBER	NLA	\$4.06	E b
43822701200	JET, SLOW		\$10.54	D b	56022701200	PLUG, A	NLA	\$2.72	E b
44035600800	HANDLE, SHIFT	NLA	\$50.94	E b	56120202900	CLAMP, CARBURETOR	NLA	\$5.48	E b
44335600200	SPRING, GUIDE	NLA	\$1.95	E b	56120445900	CLAMP, CARB.		\$5.35	D b
44735600200	LINK, SHIFT	NLA	\$4.92	E b	56122602900	CLAMP, CARBURETOR	NLA	\$5.35	E b
44835600200	PIN, SHIFT	NLA	\$3.49	E b	56722701200	BALL, STEEL	NLA	\$0.76	E b
4552021790	CARBURETOR ASSY		\$92.22	B b	57120200200	SEAL, MANIFOLD		\$0.97	C b
4552023390	R-B 45520217900 CARB		\$92.22	F b	57120400200	GASKET, FLANGE		\$1.98	D b
45521602902	R-B 45521602000 CARB SET		\$117.29	F b	57522701200	BODY, PUMP		\$19.34	D b
45522620900	R-B 45521602000 CARBURETOR		\$129.33	F b	57622701200	DIAPHRAGM, PUMP		\$12.54	D b
45522701901	CARBURETOR, TOB-550	NLA	\$186.54	E b	57722701200	GASKET, PUMP	NLA	\$4.82	E b
45535600200	R-B 45535600201 ROD, A		\$21.09	F b	58022701800	CHAMBER, FLOAT	NLA	\$37.28	E b
45635600200	R-B 45635600201 ROD, B		\$24.21	F b	58622701200	VALVE, CHECK	NLA	\$8.14	E b
45635605200	R-B 45635605201 ROD, B		\$28.04	F b	5912003T200	VALVE, THROTTLE		\$19.15	D b
45835600200	CAM, SHIFT	NLA	\$26.50	E b	5912005K200	VALVE, THROTTLE		\$19.15	D b
46035600200	PIPE, ROD GUIDE	NLA	\$54.89	E b	5912005T200	VALVE, THROTTLE		\$14.38	D b
46222701200	SCREW, IDLE ADJUST	NLA	\$6.74	E b	59200517901	PET-COCK, ASS'Y	NLA	\$17.91	E b
46322701200	SPRING, IDLE ADJUST	NLA	\$1.45	E b	59200750900	PET-COCK, ASS'Y		\$9.55	C b
46422701800	SHAFT, THROTTLE	NLA	\$24.64	E b	59210201900	PET-COCK, ASS'Y		\$18.02	A b
47035600200	SPRING, REVERSE	NLA	\$1.84	E b	5922002T920	NEEDLE, JET, ASSEMBLY		\$12.64	C b
47122701200	JET, MAIN, K-88EL	NLA	\$9.69	E b	5922002T930	NEEDLE, JET, ASS'Y		\$10.10	C b
47135600200	ROD, REVERSE	NLA	\$4.94	E b	5922033K930	NEEDLE, JET, ASS'Y		\$7.77	D b
47235600200	ROD, SHIFT	NLA	\$2.74	E b	5922058T91	R-B 5922002T920 NEEDLE		\$10.95	F b
47335600200	SPRING, ROD	NLA	\$0.76	E b	59235600200	COUPLING, FUEL TANK	NLA	\$4.92	E b
47422701200	DIAPHRAGM	NLA	\$12.54	E b	59320202200	CLIP, JET NEEDLE		\$0.76	D b
47522701200	GASKET, DIAPHRAGM		\$4.49	C b	59320400200	CLIP, JET NEEDLE		\$0.76	C b
47622701200	COVER, DIAPHRAGM	NLA	\$11.80	E b	59322904200	CLIP, JET NEEDLE		\$0.76	D b
48822701200	VALVE, THROTTLE	NLA	\$9.55	E b	59400517200	NUT, PET-COCK		\$1.52	C b
48922701200	RING, STOP	NLA	\$0.76	E b	59420202200	SPRING, THROTTLE VALVE		\$1.39	D b
49222701800	SHAFT, CHOKE	NLA	\$17.25	E b	59422602200	SPRING, THROTTLE VALVE		\$1.30	D b

Part No	Description	US Retail	S	D	Part No	Description	US Retail	S	D
59422701200	SPRING,THROTTLE VALVE	NLA	\$1.75	E b	65900801200	COLLAR	\$0.81	B	b
59520200200	CAP,BODY		\$6.17	C b	66200517203	BRACKET,PET-COCK	NLA	\$9.14	E b
59521303200	CAP,BODY		\$9.14	D b	66201046200	METAL,PET-COCK HOLDING	NLA	\$14.74	E b
59522602200	CAP,BODY		\$9.14	D b	66201058200	METAL,PET-COCK HOLDING		\$14.74	D b
59535100902	CAP,TANK,ASSEMBLY		\$15.72	A b	66335600800	COUPLING,MALE	NLA	\$28.26	E b
59535600800	CAP,TANK	NLA	\$35.00	E b	66335605800	COUPLING,MALE	NLA	\$28.31	E b
59620202200	ADJUSTER LOCK NUT		\$3.18	C b	66435600800	BRACKET,CONTROL	NLA	\$25.20	E b
59720110200	ADJUSTER,CABLE		\$4.19	C b	66635600800	COUPLING,FEMALE	NLA	\$28.26	E b
59722904200	ADJUSTER,THROTTLE CABLE		\$2.97	D b	66635605800	COUPLING,FEMALE	NLA	\$28.31	E b
59812700800	FILTER,FUEL	NLA	\$15.54	E b	66735600800	BULB,PRIMER,ASS'Y	NLA	\$41.24	E b
5982005T950	JET,NEEDLE,#95		\$16.17	C b	6800061B201	CLIP	NLA	\$1.30	E b
5992001K500	R-B 59922000252 JET		\$4.82	F b	68001004200	CLIP,8		\$0.97	A b
5992001T600	JET,MAIN,#60		\$4.82	D b	68003113200	CLIP,7.5	NLA	\$1.08	E b
5992001T740	JET,MAIN,#74		\$9.22	D b	68012700210	CLIP,8	NLA	\$1.45	E b
60035100203	RING,TANK SUPPORTER	NLA	\$1.30	E b	68112700200	CLIP,7.8	NLA	\$0.76	E b
60135560900	CLAMP,HOSE		\$1.64	C b	68212700200	CLIP,9.5	NLA	\$1.08	E b
60135600200	CLAMP,HOSE	NLA	\$2.62	E b	70007105180	PIPE,FUEL,7X10.5X180		\$2.29	D b
60220420200	SEAT,NEEDLE		\$10.19	C b	70014508050	R-B 70014508140 PIPE		\$0.76	F b
60220445200	SEAT,NEEDLE		\$5.18	D b	70014508068	R-B 70014508140 PIPE		\$0.76	F b
60222701200	CAP,NEEDLE	NLA	\$1.95	E b	70014508080	R-B 70014508140 PIPE		\$1.08	F b
60302101803	BAND,TANK HOLDING		\$3.60	B b	70014508082	R-B 70014508140 PIPE	NLA	\$1.17	E b
60320110200	R-B 60320110800 VALVE		\$5.29	F b	70014508100	R-B 70014508140 PIPE		\$1.17	F b
60320400200	VALVE,NEEDLE		\$4.92	A b	70014508140	PIPE,FUEL,4.5X8X140		\$1.64	A b
60322602200	VALVE,NEEDLE		\$14.74	B b	70015008100	R-B 70015008250 PIPE		\$1.30	F b
60322701200	VALVE,NEEDLE	NLA	\$15.72	E b	70015008116	R-B 70015008250 PIPE		\$1.64	F b
60420110200	FLOAT		\$9.14	C b	70015008150	R-B 70015008250 PIPE		\$2.40	F b
60422602200	FLOAT	NLA	\$11.56	E b	70015008260	PIPE,FUEL,5X8X260	NLA	\$3.38	E b
60422701800	FLOAT	NLA	\$19.60	E b	70017512090	PIPE,RUBBER,7.5X12X90		\$1.64	D b
60520202200	PIN,FLOAT ARM		\$0.76	C b	70100517200	STOPPER,FUEL PIPE	NLA	\$0.97	E b
60522602200	PIN,FLOAT ARM		\$3.73	C b	70230200200	COIL,FUEL PIPE		\$1.08	C b
60522701200	PIN,FLOAT	NLA	\$3.49	E b	71312700200	JOINT,PIPE	NLA	\$6.04	E b
60620202200	CHAMBER,FLOAT		\$8.28	C b	71600568200	BODY,MUFFLER A		\$42.35	D b
60622602200	CHAMBER,FLOAT		\$12.29	C b	71601046200	BODY,MUFFLER A		\$45.87	C b
60720110200	GASKET,FLOAT CHAMBER		\$4.06	B b	71610201200	BODY,MUFFLER,A		\$49.65	D b
60722602200	O-RING,FLOAT CHAMBER		\$2.72	C b	71612700200	BODY,MUFFLER A	NLA	\$85.95	E b
60722701200	GASKET,FLOAT CHAMBER	NLA	\$5.48	E b	71612700210	BODY,MUFFLER A	NLA	\$83.68	E b
61522701200	SCREW,AIR	NLA	\$9.22	E b	71700568200	BODY,MUFFLER,B		\$22.99	D b
61622701200	SPRING,AIR SCREW	NLA	\$2.04	E b	71701046200	BODY,MUFFLER B		\$20.88	D b
61920110200	RECEIVER,THROTTLE SPRING		\$0.76	D b	71710201200	BODY,MUFFLER B		\$34.66	D b
61920202200	SEAT,THROTTLE SPRING		\$0.76	D b	71712700200	BODY,MUFFLER B	NLA	\$38.03	E b
61922912200	R-B 61924100200 SPRING		\$0.76	F b	72701040201	GASKET,DRAIN		\$0.76	C b
62220217200	SCREW,ADJUSTER		\$2.55	D b	73700517200	R-B 73700517202 GASKET		\$1.39	F b
62321700200	SPRING,LOW,IDLE ADJUST		\$0.97	D b	73700587200	R-B 73700587201 GASKET		\$1.08	F b
6272021720	PLUG,DRAIN		\$1.84	C b	73701000201	GASKET,MUFFLER		\$2.11	D b
62722601200	PLUG,DRAIN		\$8.14	C b	73701046200	GASKET,MUFFLER		\$3.49	D b
62722701200	SCREW,DRAIN		\$6.28	D b	73710100200	R-B 73710100201 GASKET		\$0.76	F b
62820202200	ARM,FLOAT		\$9.80	C b	73710100201	R-B 73710242200 GASKET		\$1.02	F b
62822602200	ARM,FLOAT		\$8.81	C b	7371020120	GASKET,MUFFLER		\$4.28	B b
62920202200	R-B 62920200200 PLUG		\$1.95	F b	73710201200	R-B 73710201202 GASKET		\$3.60	F b
62920445200	GASKET,DRAIN		\$0.76	D b	73710242200	R-B 7371024220 GASKET		\$1.52	F b
63035500200	GASKET,TANK CAP		\$0.97	B b	73712700200	GASKET,MUFFLER	NLA	\$1.95	E b
65310201201	BRACKET,TANK HOLDING		\$22.63	D b	75112700200	GASKET,MUFFLER BODY	NLA	\$4.82	E b
65310218800	METAL,TANK HOLDING		\$31.15	C b	75535600200	PIPE,WATER	NLA	\$3.06	E b
65410201201	HOLDER,TANK,B		\$18.23	C b	75600517903	STARTER,RECOIL ASS'Y	NLA	\$96.24	E b
6550141A200	CUSHION,TANK		\$1.64	D b	75610201901	STARTER,RECOIL ASSEMBLY	NLA	\$75.35	E b
65510201200	CUSHION,TANK		\$0.76	C b	76212700900	STARTER,RECOIL ASS'Y	NLA	\$126.91	E b

Part No	Description	US Retail	S	D	Part No	Description	US Retail	S	D
76912700200	REEL,STARTER ROPE	NLA \$35.46	E	b	87535552200	COVER,THROTTLE HOLDER	NLA \$2.55	E	b
77200517211	BODY,RECOIL STARTER	\$32.70	D	b	87635552200	GUIDE,WIRE	NLA \$2.40	E	b
77210201200	BODY,STARTER,RECOIL	\$41.70	D	b	87735552200	STOPPER,THROTTLE	\$4.06	C	b
77212700800	BODY,RECOIL STARTER	\$93.53	D	b	87835552200	SPRING,THROTTLE STOPPER	\$1.64	C	b
77300100204	SHAFT,PULLEY,OUTER	\$10.37	C	b	87935552200	SCREW,TAPPING,3X10	\$1.08	C	b
77310200200	PULLEY,SHAFT/OUTER	\$12.45	D	b	88500568800	WIRE,THROTTLE	\$9.80	C	b
77404015204	PULLEY,STARTER	NLA \$24.96	E	b	8850105880	WIRE,THROTTLE	\$17.57	B	b
77410200200	PULLEY,STARTER	\$22.57	C	b	88510201800	WIRE,THROTTLE	\$8.55	C	b
77601006207	SHAFT,PULLEY	\$4.82	C	b	88512700920	WIRE,THROTTLE	NLA \$17.15	E	b
77810200200	CASE,SPRING,RECOIL	\$2.55	D	b	89401401201	R-B 89433111200 RECEIVER	\$5.18	F	b
77901006202	SPRING,RECOIL	\$11.97	A	b	90332201200	HOLDER,THROTTLE WIRE	\$0.87	C	b
77910200203	SPRING,RECOIL	\$11.78	C	b	90635115200	DECAL	NLA \$6.15	E	b
77912700200	SPRING,RECOIL	NLA \$20.70	E	b	90635115201	DECAL	NLA \$6.15	E	b
78000601201	GUIDE,ROPE	\$2.55	C	b	90635551201	DECAL	NLA \$5.79	E	b
78010201200	GUIDE,ROPE	\$3.38	D	b	90635551210	DECAL	\$4.25	D	b
78200546200	RECEIVER,ROPE	\$0.76	D	b	90635600201	DECAL	NLA \$13.06	E	b
78300517200	ROPE,STARTER,3.5X1300	\$2.74	C	b	90635601201	DECAL	NLA \$12.09	E	b
78301006201	ROPE,STARTER,4X1300	\$2.72	C	b	91535600200	ANODE	NLA \$13.06	E	b
78312700200	ROPE,STARTER,5X1000	NLA \$4.68	E	b	91912700200	DECAL,CAUTION	NLA \$1.77	E	b
78510207201	R-B 78510118200 HANDLE	\$9.88	F	b	94832352200	R-B 94839907200 BAG,TOOL	\$2.72	F	b
78512700800	HANDLE,STARTER	NLA \$8.58	E	b	94839907200	R-B 94832310200 BAG	\$3.28	F	n
78610200200	WASHER,STARTER	\$0.76	D	b	96135600200	PLATE,SERIAL NO.,TOB-550	NLA \$2.30	E	b
78612700200	WASHER,STARTER	NLA \$5.35	E	b	96135605200	PLATE,SERIAL NO.,TOB-550L	NLA \$4.62	E	b
78800601203	PAWL,STARTER	\$2.55	B	b	96534501200	CUSHION,TANK	\$1.39	D	b
78810200202	PAWL,STARTER	\$8.48	C	b	98535118900	KIT,TOOL	\$17.95	D	b
78812700200	PAWL,STARTER	NLA \$6.59	E	b	98535600900	KIT,TOOL	NLA \$25.39	E	b
7893367023	CAP,BODY	\$22.50	B	b	99011030081	SCREW,3X8	\$0.66	D	b
79000601203	SPRING,STARTER PAWL	\$1.25	A	b	99011030101	SCREW,3X10	\$0.73	A	b
79010201211	SPRING,STARTER PAWL	\$0.97	C	b	99011040051	SCREW,4X5	\$0.66	D	b
79110200200	BUSHING,STARTER	NLA \$0.97	E	b	99011040061	SCREW,4X6	\$0.66	C	b
79310200202	BOLT,STEP	\$4.60	C	b	99011040081	SCREW,4X8	\$0.66	B	b
79812700200	PULLEY,STARTER	NLA \$20.12	E	b	99011040082	SCREW,4X8	\$0.66	D	b
80120000200	SPANNER,8X10	\$2.75	D	b	99011040102	SCREW,4X10	\$1.64	D	b
80820000200	SPANNER,10X13	\$4.06	C	b	99011040122	SCREW,4X12	\$0.66	D	b
81400500200	SHIM,13.2X17X.50	\$0.76	C	b	99011040142	SCREW,4X12	\$0.76	D	b
82200601200	SHIM,7X11.8X.60	\$0.76	C	b	99011040162	SCREW,4X16	\$0.66	D	b
82710200201	HOLDER,RECOIL SPRING	\$0.87	D	b	99011040182	R-B 99011040181 SCREW	\$0.66	F	b
82820000800	SPANNER,COMBINATION	\$9.88	D	b	99011040202	SCREW,4X20	\$0.66	D	b
82910201201	BASE,PAWL,STARTER	\$15.61	D	b	99011040252	SCREW,4X25	\$0.66	B	b
8292000080	R-B 829290052H SPANNER	\$9.80	F	b	99011040302	SCREW,4X30	\$0.66	C	b
83212700200	SPRING,RETURN	NLA \$3.60	E	b	99011050102	SCREW,5X10	\$0.76	C	b
83310207200	R-B 83510246200 CAP	\$0.76	F	b	99011050122	SCREW,5X12	NLA \$0.76	E	b
83612700200	SPRING,FRICITION	NLA \$1.95	E	b	99011050162	SCREW,5X16	\$0.66	C	b
83712700200	PLATE,FRICITION	NLA \$8.23	E	b	99011050181	SCREW,5X18	\$0.66	C	b
83812700200	CASE,SPRING	NLA \$1.52	E	b	99011050202	SCREW,5X20	\$0.98	D	b
85120000201	WRENCH,SPARK PLUG	\$3.88	C	b	99011050251	SCREW,5X25	\$0.66	C	b
86035600200	CUSHION,ARM SUPPORT	NLA \$3.60	E	b	99011050382	SCREW,5X38	\$1.20	D	b
86135600200	WASHER,ARM SUPPORT,A	NLA \$2.04	E	b	99011050452	SCREW,5X45	\$0.94	C	b
86220000200	SCREW DRIVER,PHILLIPS	\$4.92	C	b	99011060121	SCREW,6X12	\$0.66	C	b
86235600200	WASHER,ARM SUPPORT B	NLA \$2.04	E	b	99011060122	SCREW,6X12	\$0.87	D	b
87000569900	LEVER,THROTTLE ASS'Y	\$18.60	C	b	99011060162	SCREW,6X16	\$0.97	C	b
87035552900	R-B 8703555200 LEVER	\$77.84	F	b	99011060182	SCREW,6X18	\$1.08	C	b
87135552200	GRIP,THROTTLE	\$20.68	C	b	99011060202	SCREW,6X20	\$0.66	D	b
87235552200	PIPE,INNER THROTTLE	\$18.14	C	b	99011060222	SCREW,6X22	\$1.20	D	b
87335552200	HOLDER,THROTTLE,A	NLA \$13.06	E	b	99011060252	SCREW,6X25	\$1.32	C	b
87435552200	HOLDER,THROTTLE,B	NLA \$14.38	E	b	99011060302	SCREW,6X30	\$1.39	D	b

Part No	Description	US Retail	S	D	Part No	Description	US Retail	S	D
99012050122	SCREW,5X12	NLA	\$0.76	E b	99201050011	WASHER,5	\$0.73	A	b
99012060152	SCREW,6X15		\$0.76	D b	99201050041	WASHER,5	\$0.66	D	b
99015030051	SCREW,3X5		\$0.76	D b	99201060041	WASHER,6	\$0.66	D	b
99021040182	BOLT,4X18		\$0.76	D b	99201080011	WASHER,8	\$0.66	A	b
99021050102	BOLT,HEX,5X10	NLA	\$0.76	E b	99201080041	WASHER,8	\$0.66	D	b
99021050122	BOLT,HEX,5X12	NLA	\$0.76	E b	99201100011	WASHER,10	\$0.66	B	b
99021050152	BOLT,5X15 HEX		\$0.76	D b	99201100041	WASHER,10	\$0.76	D	b
99021050202	BOLT,5X20 HEX		\$0.76	D b	99201120041	WASHER,12	\$1.20	D	b
99021050302	BOLT,5X30		\$1.30	D b	99204080030	WASHER,8	\$0.66	C	b
99021060082	BOLT,6X8		\$0.87	C b	99210030012	WASHER,S,,3	\$0.66	C	b
99021060102	SCREW,6X10		\$0.66	D b	99210040012	WASHER,S,4	\$0.66	A	b
99021060122	BOLT,HEX,6X12		\$0.87	D b	99210040042	WASHER,S,4	\$0.66	C	b
99021060152	BOLT,6X15 HEX		\$0.87	D b	99210050012	WASHER,S,5	\$0.73	A	b
99021060162	BOLT,6X16		\$1.30	D b	99210050042	WASHER,S,5	\$0.66	C	b
99021060182	BOLT,6X18		\$0.97	D b	99210060012	WASHER,S,6	\$0.73	A	b
99021060202	BOLT,6X20		\$0.66	D b	99210060042	WASHER,S,6	\$0.66	C	b
99021060222	BOLT,6X22		\$1.20	D b	99210060071	R-B 99210060042 WASHER,S	\$0.76	F	b
99021060252	BOLT,6X25		\$1.17	D b	99210080012	WASHER,S,8	\$0.66	C	b
99021060302	BOLT,6X30		\$1.64	D b	99210080042	WASHER,S,8	\$0.76	D	b
99021060402	BOLT,6X40		\$1.20	D b	99210100042	WASHER,10	\$0.76	D	b
99021060452	BOLT,6X45		\$2.74	D b	99210120042	WASHER,S,12	\$1.08	D	b
99021060752	BOLT,6X75	NLA	\$5.48	E b	99290160104	PIN,COTTER	\$0.76	D	b
99021060802	BOLT,6X80		\$3.60	D b	99290250284	PIN,COTTER,2.5X28	\$1.08	D	b
99021080102	BOLT,8X10		\$1.30	D b	99325003144	PIN,SPRING	\$0.76	D	b
99021080252	BOLT,8X25		\$0.89	D b	99325025224	PIN,SPRING,2.5X22	\$0.87	D	b
99021080302	BOLT,8X30		\$3.38	D b	99350009002	RING,STOP,C9	\$0.66	C	b
99021080352	BOLT,8X35		\$2.55	D b	99350010002	RING,STOP,C-10 EX	\$0.66	C	b
99021080402	BOLT,8X40		\$3.65	D b	99350020002	RING,STOP,C20	\$0.66	C	b
99021080502	BOLT,8X50		\$3.60	D b	99351042002	RING,STOP,C42	\$1.64	C	b
99021080702	BOLT,8X70		\$4.82	D b	99351047002	RING,STOP,C47 IN	NLA	\$1.84	E b
99021081302	BOLT,8X130		\$4.41	D b	99355060000	RING,STOP,E6	\$0.66	D	b
99061060502	BOLT,WING 6X50		\$6.90	D b	99413040101	SCREW,4X10	\$0.66	D	b
99101030011	NUT,3		\$0.66	C b	99414040061	SCREW,4X6/S	\$0.62	D	b
99101030013	NUT,3		\$0.66	D b	99414040081	R-B 99434040081 SCREW	\$0.66	F	b
99101040023	NUT,4		\$0.76	D b	99414040251	SCREW,4X25/S	\$0.76	D	b
99101050021	NUT,5		\$0.66	D b	99415040101	R-B 99415040121 SCREW	\$0.66	F	b
99101050041	NUT,5		\$0.66	D b	99434040094	SCREW,4X9/S	NLA	\$0.76	E b
99101060013	NUT,6		\$0.66	A b	99434040101	SCREW,PS,4X10	\$0.76	D	b
99101060021	NUT,6		\$0.97	D b	99434040144	SCREW,4X14	\$0.76	D	b
99101060031	NUT,6		\$0.97	C b	99434040164	SCREW,S,4X16	\$0.76	D	b
99101080011	NUT,8		\$0.66	C b	99434040234	SCREW,S,4X23	\$0.76	D	b
99101080021	NUT,8		\$1.39	D b	99905061801	PIN,KNOCK,6X18	\$0.76	D	b
99101100021	NUT,10		\$2.59	D b	99961600000	BEARING,BALL,#6000	\$19.60	C	b
99101120021	NUT,12		\$2.44	D b	99961600100	BEARING,BALL,#6001	\$16.48	B	b
99109100001	NUT,10 L.H.		\$1.08	C b	99961600200	BEARING,BALL,#6002	\$20.35	B	b
99141050022	NUT,CAP 5		\$1.39	D b	99961600400	BEARING,BALL,#6004	\$18.23	D	b
99141060022	NUT,CAP,6		\$0.66	C b	99961600404	BEARING,BALL,#6004DD	\$18.23	C	b
99142060022	NUT,CAP 6		\$0.76	D b	99961620100	BEARING,BALL,#6201	\$17.04	C	b
99174040020	NUT,4		\$3.18	D b	99961620200	BEARING,BALL,#6202	\$19.34	C	b
99174080020	NUT,U,8		\$4.49	D b	99961620300	BEARING,BALL,#6203	\$13.65	C	b
99200040011	WASHER,4		\$0.66	B b	99961620404	BEARING,BALL,#6204DD	NLA	\$19.15	E b
99200050011	WASHER,SMALL,5		\$0.66	B b	99961629000	BEARING,BALL,#629	\$13.30	C	b
99200050041	WASHER,5		\$0.66	D b	99961630400	BEARING,BALL,#6304	\$17.29	D	b
99201030011	WASHER,3		\$0.66	D b	99962101004	BEARING,NEEDLE,F1010B	\$11.24	B	b
99201040011	WASHER,4		\$0.66	C b	99962101521	BEARING,NEEDLE,1015	\$21.88	C	b
99201040041	WASHER,4		\$0.76	D b	99962102463	BEARING,THRUST,#1024	\$13.98	C	b



Part No	Description	US Retail	S	D	Part No	Description	US Retail	S	D
99962102464	WASHER,THRUST,#1024	\$3.06	C	b					
99962141834	BEARING,NEEDLE	\$16.80	D	b					
99966081805	SEAL,OIL,#8187	\$4.06	D	b					
99966092064	SEAL,OIL,#9207	\$4.06	B	b					
99966102209	SEAL,OIL,#10228	\$4.82	C	b					
99966122240	R-B 99966122206 SEAL,OIL	\$4.94	F	b					
99966122525	SEAL,OIL,#12257	NLA	\$4.82	E	b				
99966122821	SEAL,OIL,#12287	\$5.16	C	b					
99966132825	SEAL,OIL,#13287	\$4.92	C	b					
99966152511	R-B 99966152564 SEAL,OIL	\$4.60	F	b					
99966153000	SEAL,OIL,#15307	\$4.06	C	b					
99966173000	R-B 99966173066 SEAL	\$6.38	F	b					
99966203513	SEAL,OIL,#20358	\$6.28	D	b					
99967008000	O-RING,P8	\$0.76	D	b					
99967009000	O-RING,P-9	\$0.76	D	b					
99967045002	O-RING	\$3.96	D	b					
99967050010	O-RING,G-50	\$2.04	D	b					
99967055012	O-RING,S-55	NLA	\$2.04	E	b				