

# **Tanaka** Illustrated Parts Manual

Model Number:

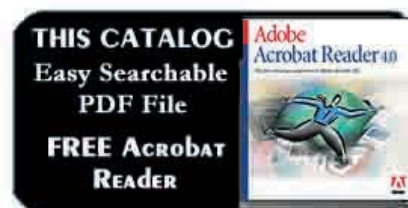
**TMC-200**

**CULTIVATOR ATTACHMENT**

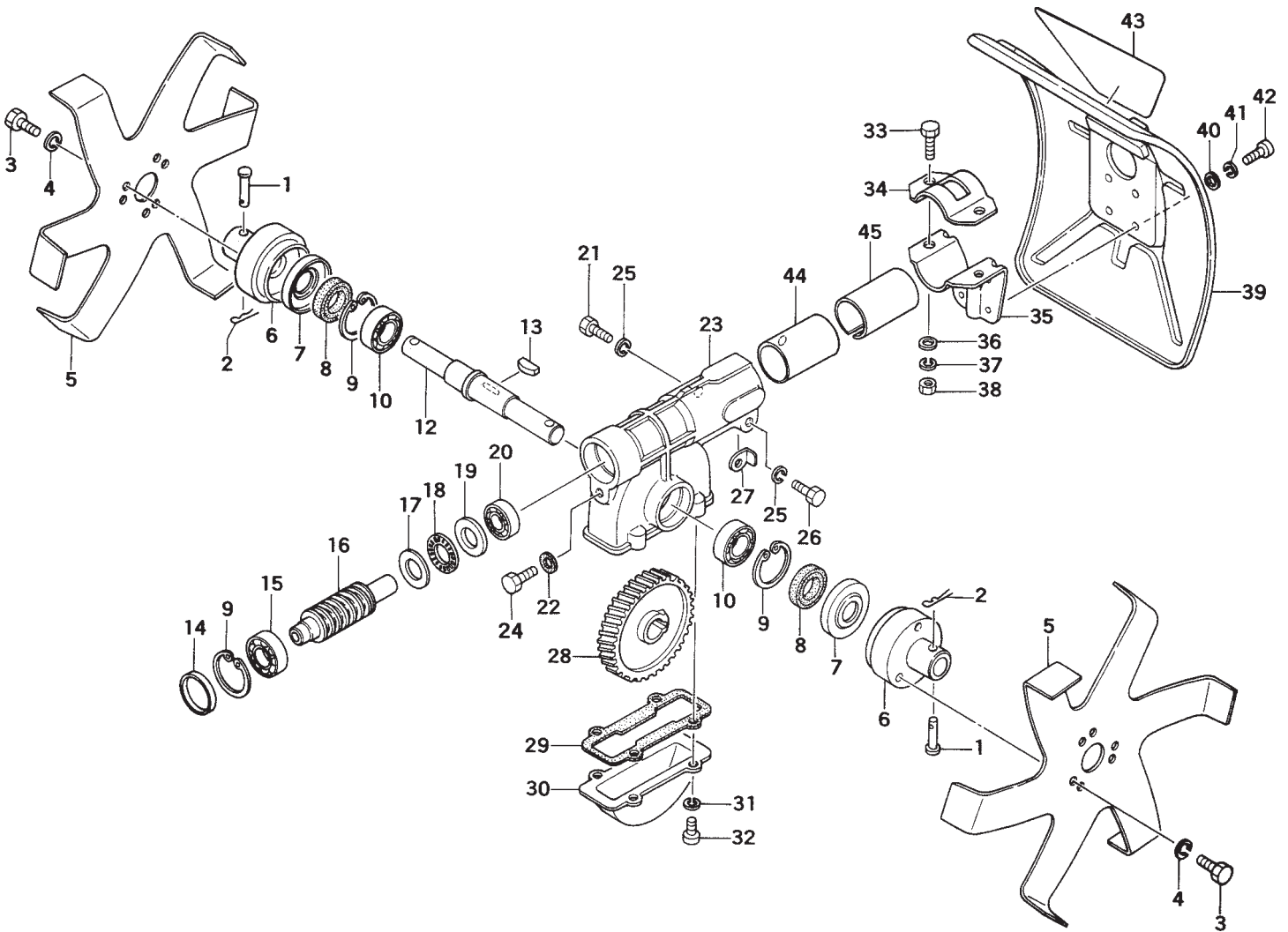
P/N N/A

Rev 001

Date 5/4/07



Nikko Tanaka Engineering U.S.A.,Ltd. • 1028 4<sup>th</sup> Street SW, Bldg B • Auburn, WA 98001 • Phone: (253) 333-1200 • Fax: (253) 333-1212



ITEM	PART NUMBER	DESCRIPTION	QTY	COMMENTS
1	400-39907-200	PIN, LOCK	2	
2	ASP-100	PIN, SNAP, EBF/IBH	2	
3	990-21060-121	BOLT, 6X12	6	
4	992-10060-012	WASHER, S, 6	6	
5	820-39907-200	CUTTER	2	
6	310-39907-200	HOLDER, CUTTER	2	
7	307-39907-200	COVER, PROTECTION	2	
8	999-66152-863	SEAL, OIL, #15286	2	
9	993-51028-002	RING, STOP, IN, C-28	3	
10	999-61690-200	BEARING, BALL, #6902	2	
12	304-39907-200	SHAFT, DRIVE	1	
13	120-32201-200	KEY, WOOD-RUFF, 5X22X7X14	1	
14	322-39907-200	CAP, GEAR CASE	1	
15	999-61690-101	BEARING, BALL, #6901ZZ	1	
16	002-33130-200	SHAFT, WORM	1	
17	999-62122-669	WASHER, THRUST, 1226	1	
18	999-62122-668	BEARING, THRUST NEEDLE	1	
19	321-39907-200	WASHER, STEP	1	
20	999-61690-101	BEARING, BALL, #6901ZZ	1	
21	990-21060-121	BOLT, 6X12	2	
22	727-01040-201	GASKET, DRAIN	1	
23	300-39907-200	CASE, GEAR	1	
24	990-21060-121	BOLT, 6x12	1	
25	992-10060-012	WASHER, S, 6	2	
26	990-21060-251	BOLT, 6X25	1	
27	249-0630G-201	SPACER	1	
28	301-39909-200	WHEEL, GEAR	1	
29	318-39907-200	GASKET, GEAR CASE	1	
30	323-39907-200	COVER, GEAR CASE	1	
31	992-10050-012	WASHER, S, 5	4	
32	990-11050-101	SCREW, 5X10	4	
33	990-21060-181	BOLT, 6X18	2	
34	442-33671-201	BRACKET	1	
35	445-39907-200	HOLDER, SAFETY COVER	1	
36	992-00060-011	WASHER, SMALL, 6	2	
37	992-10060-012	WASHER, S, 6	2	
38	991-01060-011	NUT, 6	2	
39	441-39907-200	COVER, SAFETY	1	
40	992-01050-011	WASHER, 5	4	
41	992-10050-012	WASHER, S, 5	4	
42	990-11050-141	SCREW, 5X14	4	
43	906-39909-200	DECAL	1	
44	348-33130-20	COLLAR B	1	
45	294-39909-20	COLLAR	1	