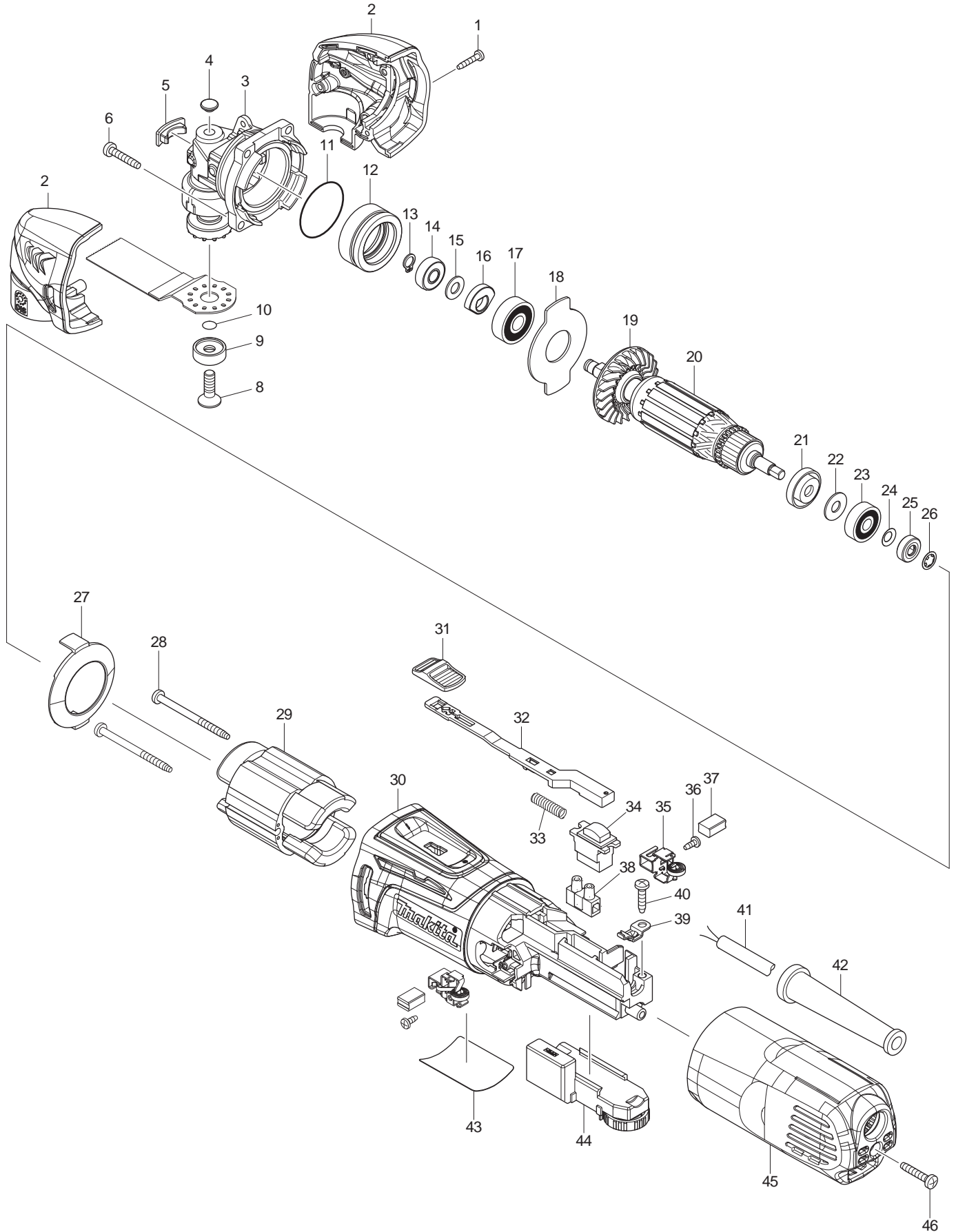




04 - 2012
TM3000CX1
MULTI-TOOL W/ACCESSORY KIT



Item No.	Part No.	Description	Qty	Unit	
1	266429-2	TAPPING SCREW 3X16	3	PC.	
2	187373-9	HEAD COVER SET	1	PC.	
3	2	142075-4	CRANK HOUSING COMPLETE	1	PC.
	3	142399-8	CRANK HOUSING COMPLETE	1	PC.
4	424511-5	CRANK HOUSING CAP B	1	PC.	
5	424510-7	CRANK HOUSING CAP A	1	PC.	
6	266424-2	TAPPING SCREW 4X20	4	PC.	
8	266783-4	HEX.SOCKET C.S.H.SCREW M6X20	1	PC.	
9	224455-7	OUTER FLANGE 22	1	PC.	
10	213021-5	O RING 5	1	PC.	
11	213479-8	O RING 33	1	PC.	
12	326199-6	BEARING BOX	1	PC.	
13	961003-8	RETAINING RING S-7	1	PC.	
14	211392-4	SPHERE BEARING 706	1	PC.	
15	253133-2	FLAT WASHER 7	1	PC.	
16	313245-4	BALANCER	1	PC.	
17	211092-6	BALL BEARING 629DDW	1	PC.	
18	285857-2	BEARING RETAINNER	1	PC.	
19	240140-4	FAN 46	1	PC.	
20	517681-8	ARMATURE ASSEMBLY 115V	1	PC.	
	INC.	Item No. 19,21-26		PC.	
21	681636-0	INSULATION WASHER	1	PC.	
22	267426-1	FLAT WASHER 7	1	PC.	
23	210023-2	BALL BEARING 627DDW	1	PC.	
24	267756-0	WAVE WASHER 6	1	PC.	
25	688174-3	MAGNET SLEEVE	1	PC.	
26	259039-2	SELF LOCK 6	1	PC.	
27	453828-9	BAFFLE PLATE	1	PC.	
28	266415-3	TAPPING SCREW 4X55	2	PC.	
29	623556-2	FIELD 115V	1	PC.	
30	453823-9	MOTOR HOUSING	1	PC.	
31	453761-5	SWITCH KNOB	1	PC.	
32	453825-5	SWITCH LEVER	1	PC.	
33	234263-8	COMPRESSION SPRING 5	1	PC.	
34	651609-7	SWITCH SS106A-7-1	1	PC.	
35	643839-4	BRUSH HOLDER 6X9	2	PC.	
36	266492-5	TAPPING SCREW 3X8	2	PC.	
37	195025-8	CARBON BRUSH CB-458 2PCS/SET W/ORIGIN	1	SET	
38	654532-5	TERMINAL BLOCK 1P	1	PC.	
39	687681-3	STRAIN RELIEF	1	PC.	
40	266326-2	TAPPING SCREW 4X18	1	PC.	
41	664891-9	CORD W/PLUG 2P-18-2.5M, SJ	1	PC.	
42	682569-2	CORD GUARD 8-85	1	PC.	
43	897303-9	NAME PLATE F/TM3000C	1	PC.	
44	620147-0	CONTROLLER	1	PC.	
45	453824-7	REAR COVER	1	PC.	
46	266424-2	TAPPING SCREW 4X20	1	PC.	
C01	873404-7	CARTON FOR TM3000CX1	1	PC.	

ACCESSORIES

- See catalogue or visit www.makita.ca for more optional accessories -

A01		410047-0	WRENCH HOLDER 5.6	1	PC.	
A02		783203-8	HEX. WRENCH 5	1	PC.	
A03		195963-4	TOOL SET A - N/A for replacement. Order the component parts.	1	PC.	
	1	INC.	313248-8	ADAPTER A F/OTHER BRAND ACCESSORY - BULK	1	PC.
	2	INC.	196271-6	ADAPTER A F/OTHER BRAND ACCESSORY - PKG W/ORIGIN	1	PC.
		INC.	313249-6	ADAPTER C F/DREMEL ACCESSORY - BULK	1	PC.
		INC.	B-21325	SEGMENT SAW BLADE 3-1/2"	1	PC.
		INC.	B-21353	PLUNGE CUT SAW BLADE 1-1/4"	1	PC.
		INC.	B-21537	SANDING PAD	1	PC.
		INC.	821538-0	PLASTIC TOOL BOX F/TOOL SET A	1	PC.

Item No.		Part No.	Description	Qty	Unit
A04	1	821537-2	PLASTIC CARRYING CASE	1	PC.
		INC. 162315-4	LATCH	2	PC.
		INC. 452137-3	HANDLE	1	PC.
	2	821596-6	PLASTIC CARRYING CASE	1	PC.
		INC. 162315-4	LATCH	2	PC.
		INC. 452137-3	HANDLE	1	PC.
		196022-7	DUST EXTRACTOR ATTACHMENT SET		
A05			(See Instruction Manual Page 7 for more Information)	1	PC.
		INC. 443177-2	FELT RING 37	1	PC.
		INC. 453829-7	DUST ATTACHMENT	1	PC.
		INC. 453832-8	JOINT	1	PC.
		INC. 453834-4	DUST NOZZLE A	1	PC.
		INC. 453835-2	NOZZLE BAND A	1	PC.
A06		* B-21272	SAW BLADE, SEGMENT BIM 3-1/4"	1	PC.
A07		* B-21294	SAW BLADE, ROUND BIM, 3-1/4"	1	PC.
A08		* B-21319	SAW BLADE, SEGMENT BIM 4"	1	PC.
A09		* B-21325	SAW BLADE, SEGMENT BIM 3-1/2"	1	PC.
A10		* B-21331	SAW BLADE, SEGMENT BIM 3-1/2"	1	PC.
A11		* B-21347	SAW BLADE, PLUNGE CUT BIM 2-1/2"	1	PC.
A12		* B-21353	SAW BLADE, PLUNGE CUT BIM 1-1/8"	1	PC.
A13		* B-21369	SAW BLADE, PLUNGE CUT BIM 1-1/4"	1	PC.
A14		* B-21381	SAW BLADE, PLUNGE CUT HCS 1-1/4"	1	PC.
A15		* B-21397	SAW BLADE, PLUNGE CUT HCS 3/4"	1	PC.
A16		* B-21406	SAW BLADE, PLUNGE CUT HCS 3/8"	1	PC.
A17		* B-21428	SAW BLADE, PLUNGE CUT BIM 3/4"	1	PC.
A18		* B-21434	SAW BLADE, PLUNGE CUT BIM 3/8"	1	PC.
A19		* B-21440	SCRAPER, RIGID HCS 2"	1	PC.
A20		* B-21456	SCRAPER, FLEXIBLE HCS 2"	1	PC.
A21		* B-21462	SEG BLADE, SERRATED HCS 4"	1	PC.
A22		* B-21478	GENERAL JOINT CUTTER, HCS, 2"	1	PC.
A23		* B-21484	HM REMOVER, 40G, 2-1/2"	1	PC.
A24		* B-21490	SAW BLADE, HM SEG 3-1/2"x1/8"	1	PC.
A25		* B-21509	SAW BLADE, HM SEG 2-1/2"x1/16"	1	PC.
A26		* B-21515	SANDING PLATE, HM 3"	1	PC.
A27		* B-21521	SAW BLADE, DIAMOND SEG 3-1/2"x1/8"	1	PC.
A28		B-21537	SANDING PAD	1	PC.
A29		B-21559	ABR PAPER D.RED ASSORT 10PK	1	PK.
A30		B-21565	ABRASIVE PAPER DELTARED LONG RED 60G-10PK	1	PK.
A31		B-21571	ABRASIVE PAPER DELTARED LONG RED 80G-10PK	1	PK.
A32		B-21587	ABRASIVE PAPER DELTARED LONG RED 100G-10PK	1	PK.
A33		B-21593	ABRASIVE PAPER DELTARED LONG RED 120G-10PK	1	PK.
A34		B-21602	ABRASIVE PAPER DELTARED LONG RED 180G-10PK	1	PK.
A35		B-22931	ABRASIVE PAPER DELTARED LONG RED 240G-10PK	1	PK.
A36		B-21674	ABRASIVE PAPER DELTARED LONG WHITE ASSORT 10PK	1	PK.
A37		B-21680	ABRASIVE PAPER DELTARED LONG WHITE 60G-10PK	1	PK.
A38		B-21696	ABRASIVE PAPER DELTARED LONG WHITE 80G-10PK	1	PK.
A39		B-21705	ABRASIVE PAPER DELTARED LONG WHITE 100G-10PK	1	PK.
A40		B-22969	ABRASIVE PAPER DELTARED LONG WHITE 120G-10PK	1	PK.
A41		B-21711	ABRASIVE PAPER DELTARED LONG WHITE 240G-10PK	1	PK.
A42		B-21727	ABRASIVE PAPER DELTARED LONG WHITE 320G-10PK	1	PK.
A43		B-21733	ABRASIVE PAPER DELTARED LONG BLACK ASSORT 10PK	1	PK.
A44		B-21749	ABRASIVE PAPER DELTARED LONG BLACK 120G-10PK	1	PK.
A45		B-21755	ABRASIVE PAPER DELTARED LONG BLACK 240G-10PK	1	PK.
A46		B-21761	ABRASIVE PAPER DELTARED LONG BLACK 400G-10PK	1	PK.
A47		B-21777	ABRASIVE PAPER DELTARED LONG BLACK 600G-10PK	1	PK.
A48		B-21783	ABRASIVE PAPER DELTARED LONG BLACK 1200G-10PK	1	PK.
A49		B-21799	FLEECE DELTA MEDIUM 100	1	PC.
A50		B-21808	FLEECE DELTA COARSE 280	1	PC.
A51		B-21814	FLEECE DELTA W/O GRIT	1	PC.
A52		B-21820	HARD POLISH FELT DELTA 94MM	1	PC.
A53		B-34805	BLADE, PLUNGE HM 1-1/4"	1	PC.

Item No.	Part No.	Description	Qty	Unit
A54	B-34811	BLADE, PLUNGE HM 3/4"	1	PC.
A55	B-34827	KNIFE BLADE, SEG BIM 4"	1	PC.