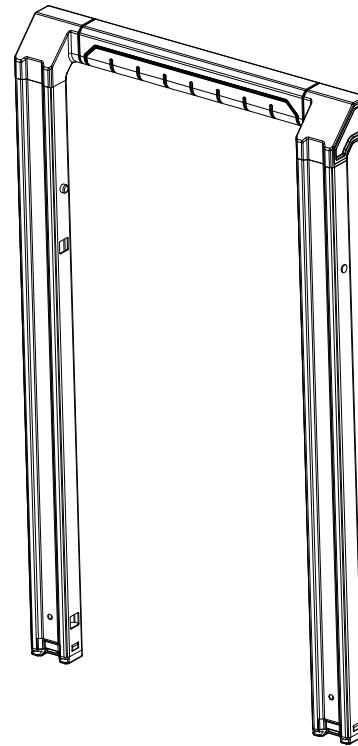
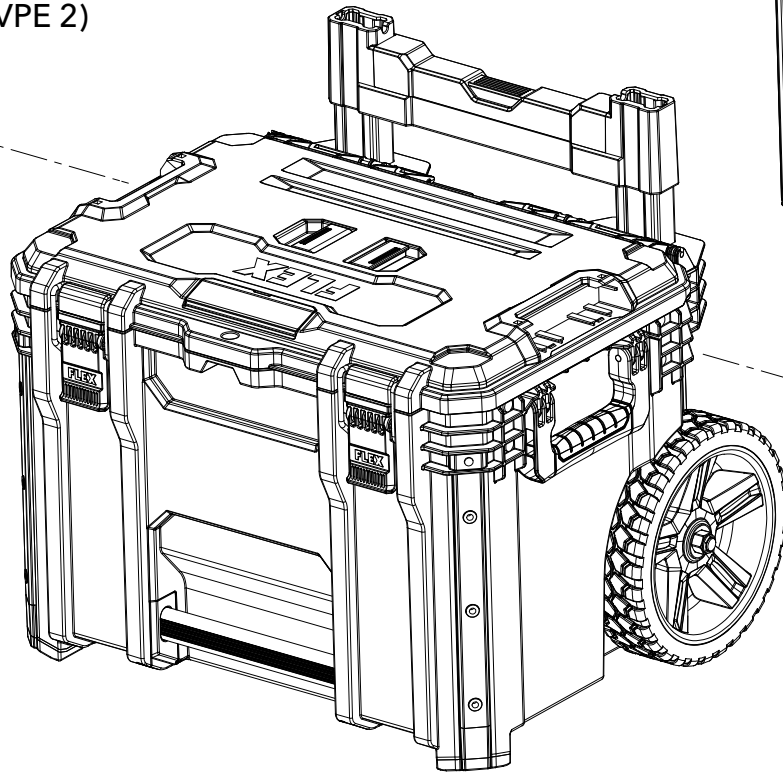
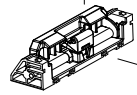


532.706 (VPE 2)



532.705

