

Tanaka

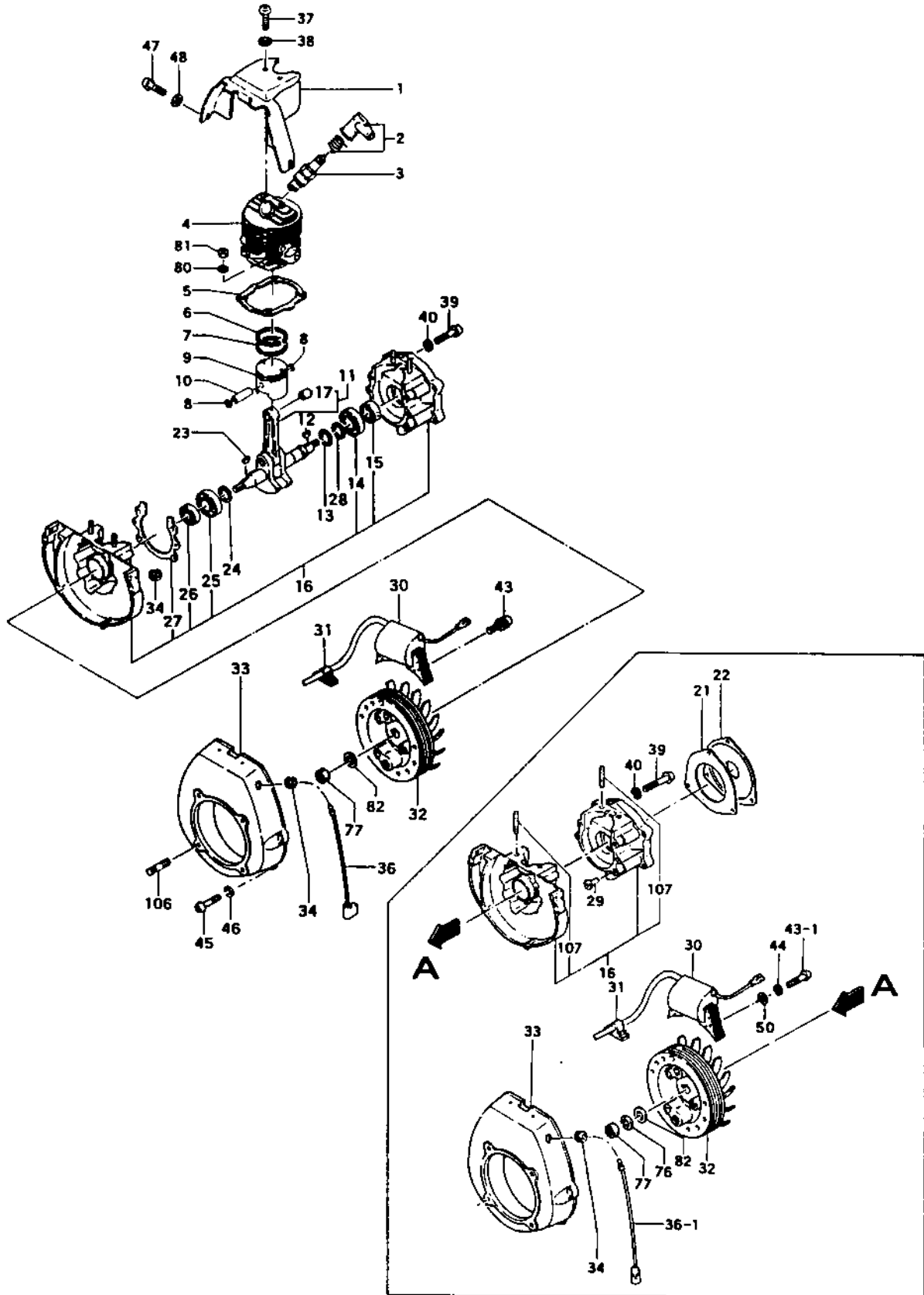
Parts Catalog

Power Auger

Model: TIA-305

Units Prior To Serial No. L 234657

FIG.1 ENGINE

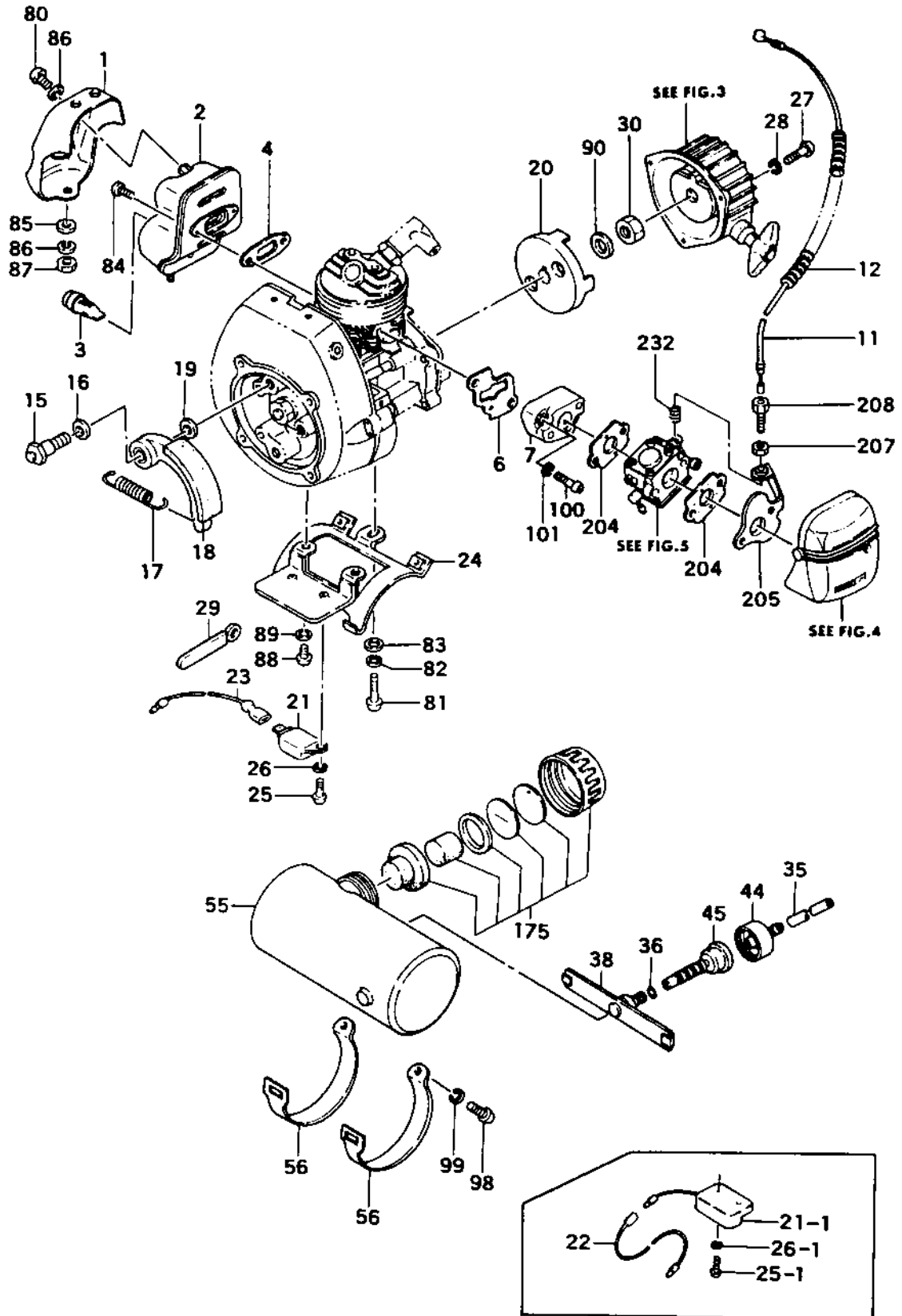


REF. NBR	PART NBR	PART NAME	QTY	SERIAL NBR	REMARKS
1-001	016-01400-212	CYLINDER SHROUD	1		
1-002	157-04000-900	SPARK PLUG CAP ASS'Y	1	-F137100	
1-002	157-01570-900	SPARK PLUG CAP ASS'Y	1	P -J192956	
1-002	157-04000-900	SPARK PLUG CAP ASS'Y	1	P -L234357	
1-002	157-01570-900	SPARK PLUG CAP ASS'Y	1	P L234358-	
1-003	018-00801-200	SPARK PLUG BM-7	1	-F137100	
1-003	018-02233-200	SPARK PLUG CJ6	1	P -J192956	
1-003	018-11600-200	SPARK PLUG BM-7A	1	P -L234357	
1-003	018-11600-210	SPARK PLUG BM-7A	1	P L234358-	
1-004	002-01401-805	CYLINDER COMP.	1		
1-005	017-01400-204	CYLINDER GASKET	1		
1-006	040-01000-201	PISTON RING /TOP	1		
1-007	041-01000-201	PISTON RING	1		
1-008	039-00000-201	PISTON PIN CIRCLIP	2		
1-009	031-01400-204	PISTON 36	1		
1-010	037-01400-200	PISTON PIN	1		
1-011	046-01503-803	CRANK SHAFT COMP.	1	-G079501	
1-011	046-01503-804	CRANK SHAFT COMP.	1	P G079502-	
1-012	068-00300-200	WOOD-RUFF KEY 3X10X3.7	1		
1-013	070-00601-201	CRANK SHAFT WASHER 12.2X18	2		
1-014	999-61600-100	BALL BEARING #6001, 28MM/OD	1		
1-015	999-86122-266	OIL SEAL 12227	1		
1-016	072-01400-900	CRANK CASE ASS'Y	1	M	
1-016	072-01570-900	CRANK CASE ASS'Y	1		
1-017	999-62091-325	NEEDLE BEARING F-910	1		
1-021	810-01400-200	RECOIL STARTER GASKET	1	D G079502-	
1-022	091-0141A-200	PARTITION PLATE	1	D G079502-	
1-023	068-10100-200	WOOD-RUFF KEY 3X13X4.5	1		
1-024	070-02401-201	CRANK SHAFT WASHER 15.2X22	1		
1-025	999-61600-200	BALL BEARING #6002, 32MM/OD	1		
1-026	999-86152-500	OIL SEAL 15257	1		
1-027	090-01400-205	CRANK CASE GASKET	1	I -K168145	
1-027	090-01400-206	CRANK CASE GASKET	1	K168146-	
1-028	330-00200-210	GEAR SHAFT SHIM 0.10	V		
1-028	330-00200-220	GEAR SHAFT SHIM 0.15	V		
1-028	330-00200-230	GEAR SHAFT SHIM 0.20	V		
1-028	330-00200-240	GEAR SHAFT SHIM 0.30	V		
1-029	203-01400-202	PRIMARY CORD GROMMET	1	M	
1-030	167-20712-804	IGNITION COIL COMP.	1	I -H204450	
1-030	167-21500-802	IGNITION COIL COMP.	1	H204451-	
1-031	198-01400-200	CORD CLAMP	1		
1-032	155-20713-805	MAGNETO ROTOR COMP.	1	R -J192956	
1-032	155-21735-800	MAGNETO ROTOR COMP.	1	J192957-	
1-033	112-01401-201	FAN CASE	1		
1-034	202-01003-201	SECONDARY CORD GROMMET	2		
1-036, 1	178-01560-802	STOP CORD COMP.	1	-F137100	
1-036	178-0072B-800	STOP CORD COMP.	1	N -K168145	
1-036	178-0072B-800	STOP CORD COMP.	1	I -K168145	
1-036	178-33680-800	STOP CORD COMP.	1	K168146-	
1-037	990-11040-081	SCREW 4X8	2		
1-038	992-01040-011	WASHER 4	2		
1-039	990-11050-251	SCREW 5X25	4		
1-040	992-10050-012	S.WASHER 5	4		
1-043, 1	990-11040-181	SCREW 4X18	2	N	
1-043, 1	990-11040-221	SCREW 4X22	2	-K222910	
1-043	994-16040-226	SCREW 4X22/VS	2	N K222911-	
1-044	992-10040-012	S.WASHER 4	2	D K222911-	
1-045	990-11040-181	SCREW 4X18	4		
1-046	992-10040-012	S.WASHER 4	4		
1-047	990-11050-081	SCREW 5X8	4		
1-048	992-01050-011	WASHER 5	4		
1-050	992-00040-011	SMALL WASHER 4	2	D K222911-	
1-076	992-10080-012	S.WASHER 6	1	D K213171-	

- To be cont'd -

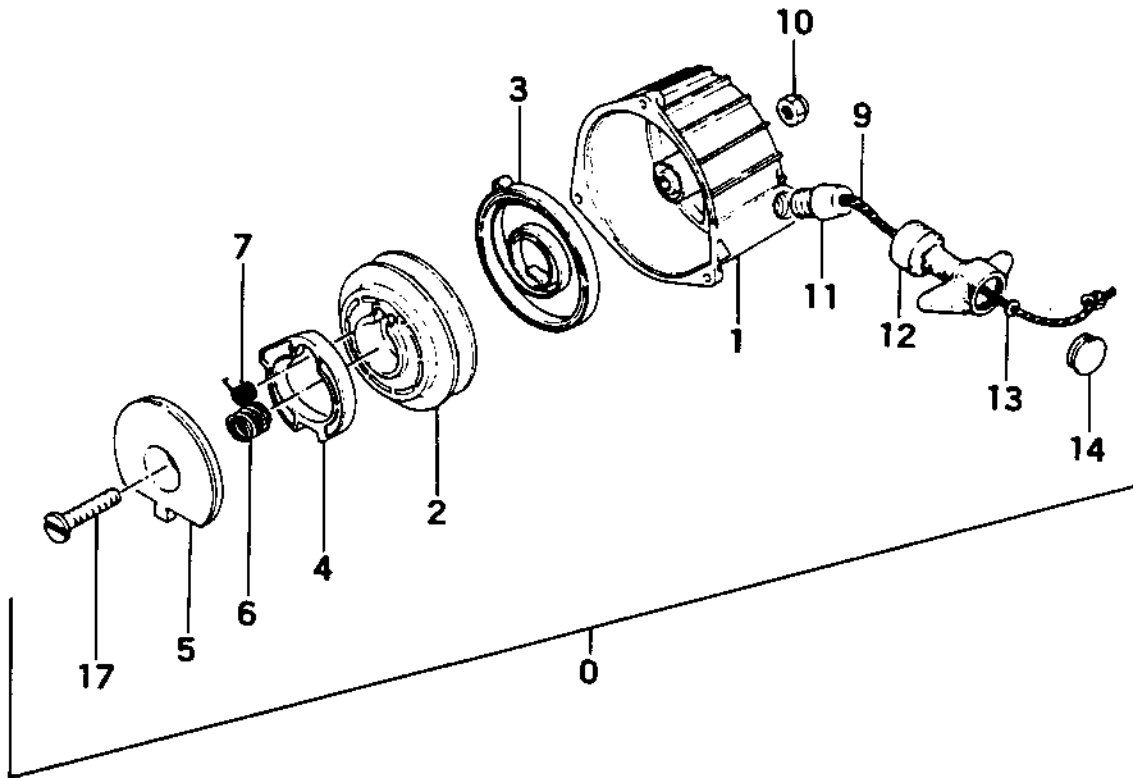
REF. NBR	PART NBR	PART NAME	QTY	SERIAL NBR	REMARKS
1-077	981-01080-011	NUT 8	1		
1-080	992-10050-012	S.WASHER 5	4		
1-081	991-01050-011	HEX. NUT 5	4		
1-082	992-01080-011	WASHER 8	1		
1-106	100-04001-200	STUD BOLT 6X36	4		
1-107	100-00100-201	STUD BOLT 5X21	4	D E237501-	

FIG.2 ENGINE COMPONENTS



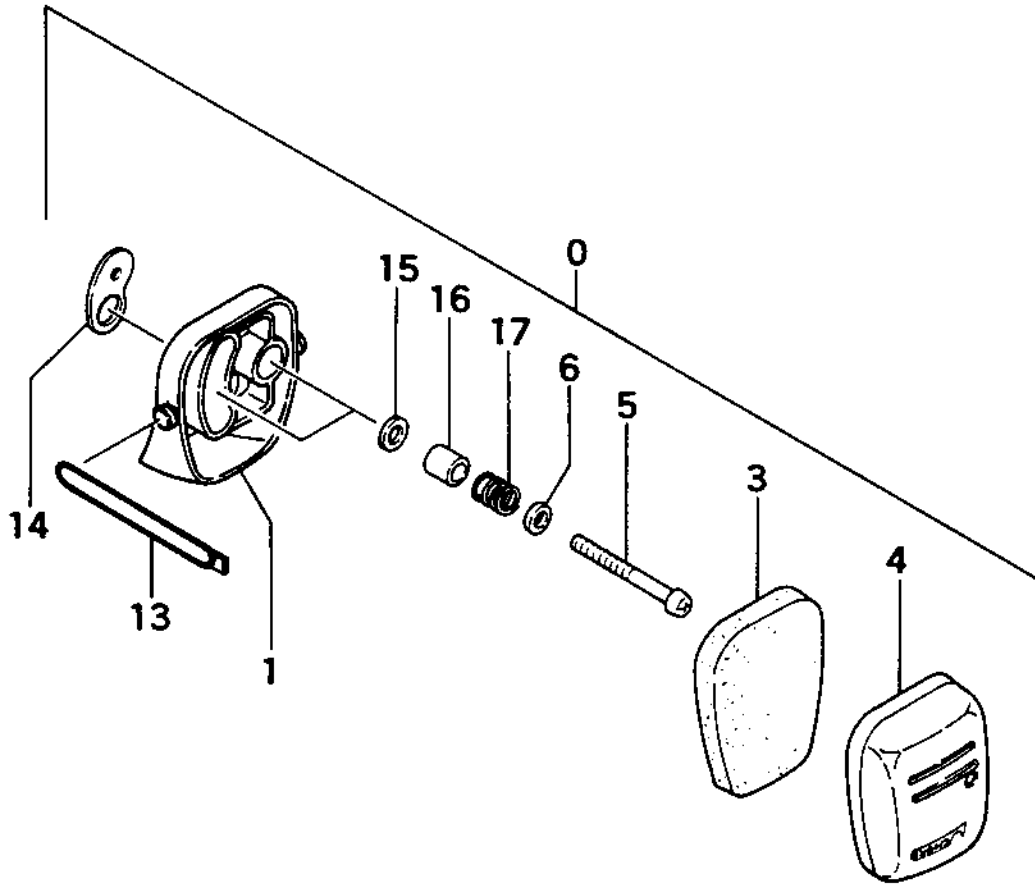
REF. NBR	PART NBR	PART NAME	QTY	SERIAL NBR	REMARKS
2-001	738-01580-200	MUFFLER PROTECTOR	1		
2-002	708-01580-800	MUFFLER COMP.	1		
2-003	732-01570-800	SPARK ARRESTER COMP.	1		
2-004	737-01400-200	MUFFLER GASKET	1		
2-006	403-00601-202	INLET MANIFOLD GASKET	1		
2-007	404-0062U-803	CARBURETOR INSULATOR COMP.	1		
2-011	885-01580-811	THROTTLE WIRE COMP.	1	-F137100	
2-011	885-01570-800	THROTTLE WIRE COMP.	1	M F137101-	
2-012	284-01580-201	VINYL TUBE	1	-F137100	
2-012	164-10038-000	PROTECTION TUBE 10X380L	1	M F137101-	
2-015	357-01400-201	CLUTCH STEP BOLT	2		
2-016	358-10112-200	CLUTCH WASHER A	2		
2-017	342-01400-201	CLUTCH SPRING	1		
2-018	290-01400-801	CLUTCH SHOE COMP.	2		
2-019	359-10112-203	CLUTCH WASHER B	2		
2-020	774-0141A-202	STARTER PULLEY	1	M	
2-020	798-0141A-800	STARTER PULLEY COMP.	1		
2-021.1	159-21401-871	IGNITOR COMP. TTI-1E	1	-E237500	
2-021	159-21401-872	IGNITOR COMP. TTI-1F	1	M E237501-	
2-022	173-00700-800	PRIMARY CORD COMP. Y165M	1	D E237501-	
2-023	173-01571-800	IGNITOR LEAD WIRE COMP.	1	M E237501-	
2-024	607-01570-800	FUEL TANK BRACKET COMP.	1		
2-025.1	990-11040-161	SCREW 4X16	2	-E237500	
2-025	990-11040-081	SCREW 4X8	1	M E237501-	
2-026.1	992-10040-012	S. WASHER 4	2	-E237500	
2-026	992-10040-012	S. WASHER 4	1	E237501-	
2-027	990-11040-161	SCREW 4X16	3		
2-028	992-10040-012	S. WASHER 4	3		
2-029	581-0077T-800	PIPE HOLDER COMP.	1		
2-030	066-00601-200	FLYWHEEL NUT	1		
2-035	700-03005-160	FUEL PIPE 3X5X160	1		
2-036	680-04019-210	CLIP 7	1		
2-038	675-04001-900	PUMP FILTER BODY ASS'Y	1	R -H204450	
2-038	675-0608A-900	PUMP FILTER BODY ASS'Y	1	H204451-	
2-044	500-33202-205	RUBBER PIPE CAP	1		
2-045	678-00601-201	RUBBER PIPE	1		
2-055	591-00764-800	TANK COMP.	1		
2-056	648-00206-203	TANK HOLDING BAND	2		
2-080	990-11050-061	SCREW 5X6	1	M	
2-080	990-11050-081	SCREW 5X8	1		
2-081	990-11060-121	SCREW 6X12	1		
2-082	992-10060-012	S. WASHER 6	1		
2-083	992-01060-011	WASHER 6	1	D L234358-	
2-084	990-70060-161	SCREW FT 6X16	2		
2-085	992-01050-011	WASHER 5	1		
2-086	992-10050-012	S. WASHER 5	2		
2-087	991-01050-011	HEX. NUT 5	1		
2-088	990-11060-121	SCREW 6X12	2		
2-089	992-10060-012	S. WASHER 6	2		
2-090	065-00000-200	FLYWHEEL WASHER	1		
2-096	990-11050-201	SCREW 5X20	2		
2-099	992-10050-012	S. WASHER 5	2		
2-100	990-11050-241	SCREW 5X24	2		
2-101	992-10050-012	S. WASHER 5	2		
2-175	595-0062A-910	TANK CAP ASS'Y, ORANGE	1	M	
2-175	595-0062A-901	TANK CAP ASS'Y	1		
2-204	402-00601-202	CARBURETOR GASKET	2		
2-205	436-0062V-251	AIR CLEANER BASE	1		
2-207	991-01060-013	NUT 6	1		
2-208	894-01401-201	OUTER RECEIVER	1		
2-232	688-11501-200	RETURN SPRING	1		

FIG.3 RECOIL STARTER



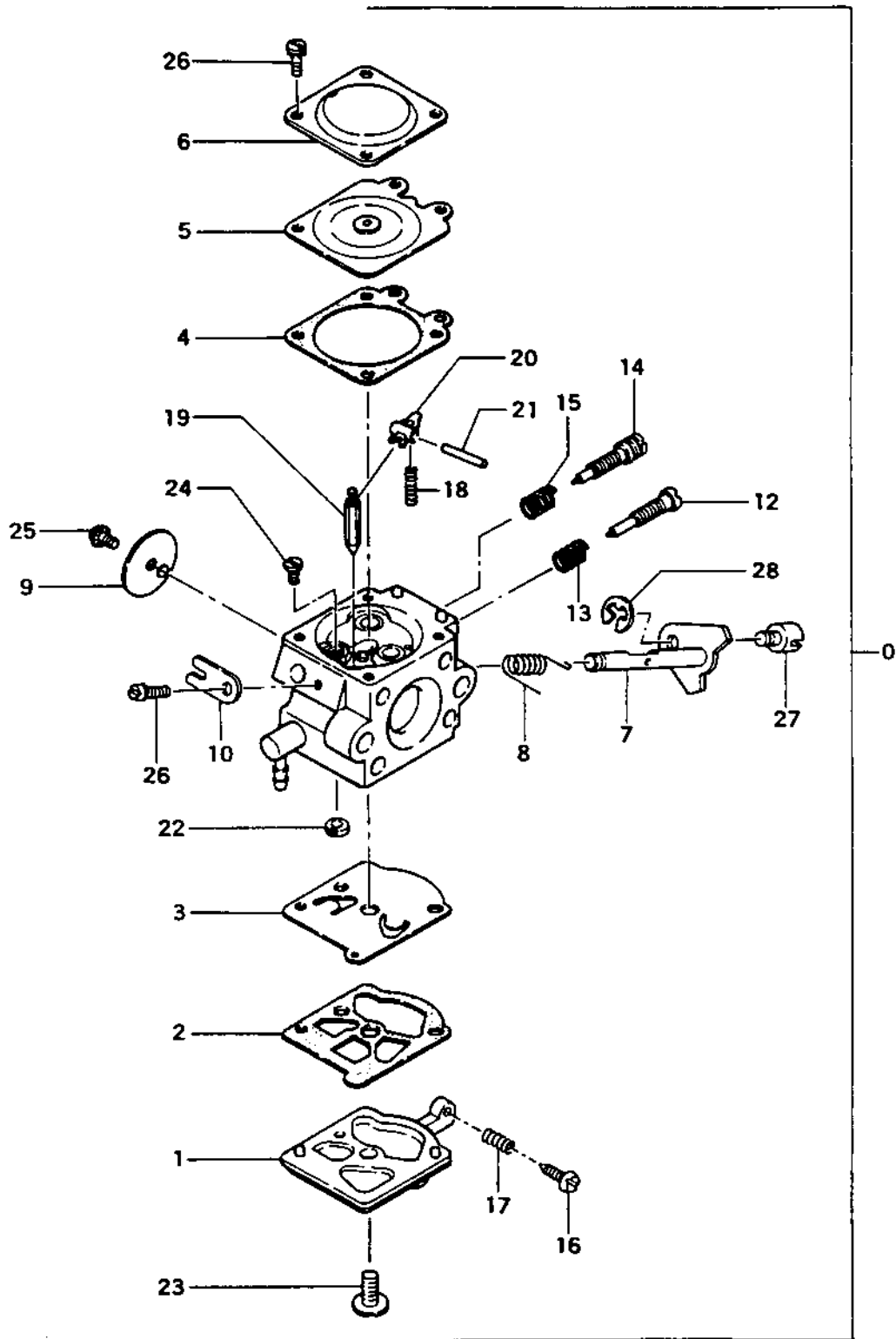
REF. NBR	PART NBR	PART NAME	QTY	SERIAL NBR	REMARKS
3-000	762-01500-903	RECOIL STARTER BODY ASS'Y	1	-F137100	
3-000	762-01570-900	RECOIL STARTER BODY ASS'Y	1	F137101-	
3-001	772-01500-200	RECOIL STARTER BODY	1	-F137100	
3-001	772-01570-200	RECOIL STARTER BODY	1	F137101-	
3-002	769-01500-801	STARTER ROPE REEL	1		
3-002	769-01500-200	STARTER ROPE REEL	1		
3-003	779-01500-200	RECOIL SPRING	1		
3-004	788-01500-200	STARTER PAWL	1		
3-005	837-01500-201	FRICTION PLATE	1		
3-006	836-01500-200	FRICTION SPRING	1	M	
3-006	836-01500-201	FRICTION SPRING	1		
3-007	832-01500-200	RETURN SPRING	1		
3-009	783-01500-201	STARTER ROPE	1	M	
3-009	783-01500-200	STARTER ROPE	1		
3-010	991-41050-022	CAP NUT 5	1		
3-011	780-10118-200	ROPE GUIDE	1	M	
3-011	780-10108-200	ROPE GUIDE	1		
3-012	785-10118-200	STARTER HANDLE	1		
3-013	992-01040-011	WASHER 4	1	M	
3-013	795-10243-200	ROPE STOPPER	1		
3-014	835-10118-200	STARTER HANDLE CAP	1		
3-017	839-01500-200	SET BOLT	1		

FIG.4 AIR CLEANER



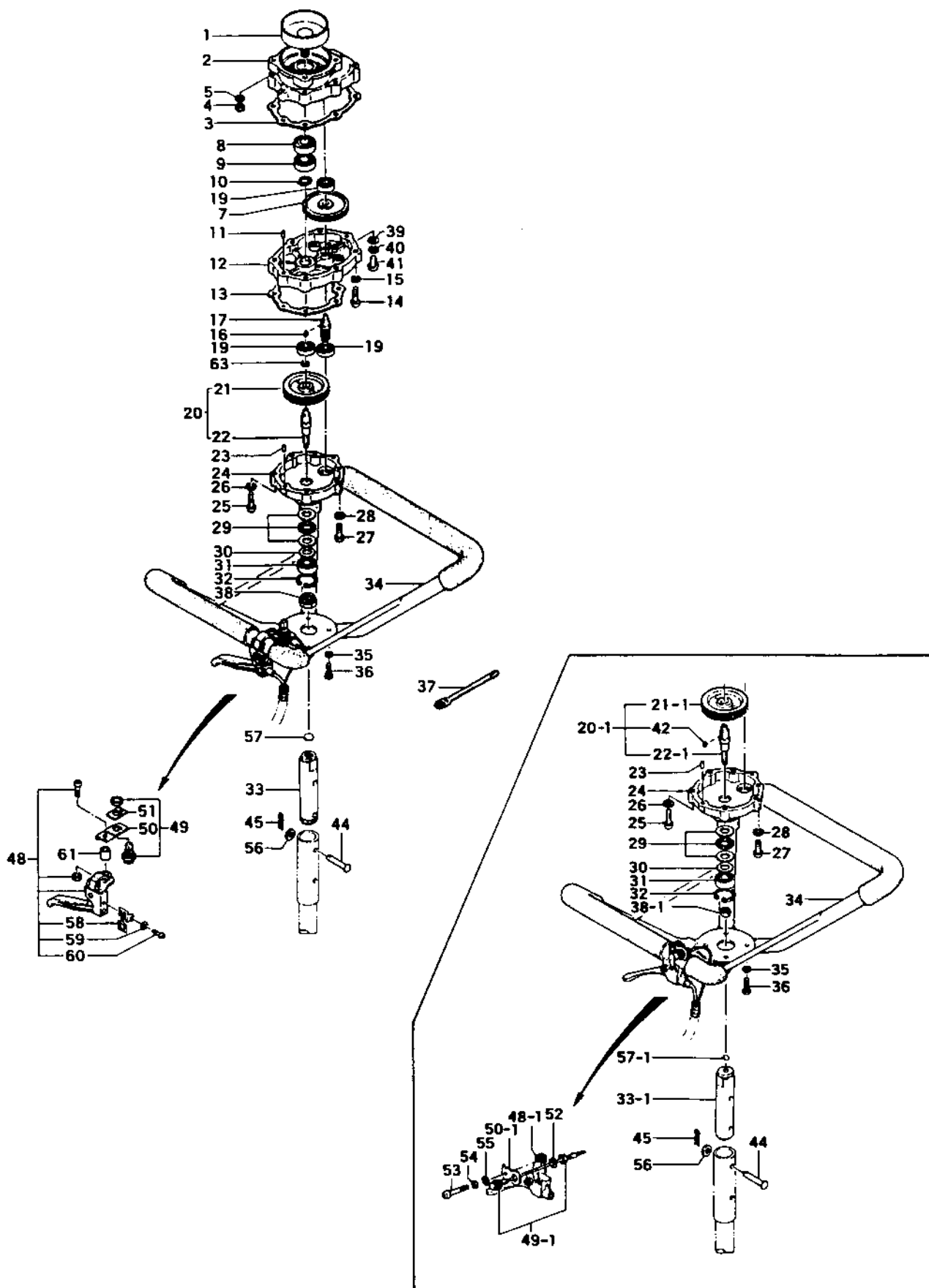
REF. NBR	PART NBR	PART NAME	QTY	SERIAL NBR	REMARKS
4-000	410-0062A-901	AIR CLEANER ASS'Y	1		
4-001	423-00601-203	AIR CLEANER BODY	1		
4-003	444-00601-201	CLEANER ELEMENT A	1		
4-004	424-00601-202	CLEANER COVER	1		
4-005	990-11050-551	SCREW 5X55	2		
4-006	992-01050-011	WASHER 5	2		
4-013	466-0062A-200	CLEANER BAND	1		
4-014	431-00601-201	CLEANER GASKET	1		
4-015	182-00601-200	SPECIAL WASHER/CLEANER	2		
4-016	454-00601-202	CLEANER FIXING METAL	2		
4-017	432-00601-200	CLEANER SPRING	2		

FIG.5 CARBURETOR



REF. NBR	PART NBR	PART NAME	QTY	SERIAL NBR	REMARKS
5-000	455-25008-800	CARBURETOR ASS'Y	1		
5-001	575-25008-200	PUMP BODY	1		
5-002	577-25007-200	PUMP GASKET	1		
5-003	576-25008-200	PUMP DIAPHRAGM	1		
5-004	475-25001-200	DIAPHRAGM GASKET	1		
5-005	474-25001-800	METERING DIAPHRAGM COMP.	1		
5-006	476-25006-200	DIAPHRAGM COVER	1	M	
5-006	476-25004-200	DIAPHRAGM COVER	1		
5-007	464-25008-800	THROTTLE SHAFT COMP.	1		
5-008	486-25006-200	THROTTLE SPRING	1	M	
5-008	486-25008-200	THROTTLE SPRING	1		
5-009	488-25008-200	THROTTLE VALVE	1		
5-010	557-25006-200	THROTTLE SHAFT CLIP	1		
5-012	460-25008-200	HIGH ADJUST SCREW	1		
5-013	485-25003-200	HIGH ADJUST SPRING	1		
5-014	461-25008-200	LOW ADJUST SCREW	1		
5-015	623-25001-200	HIGH/LOW ADJUST SPRING	1		
5-016	462-25008-200	IDLE ADJUST SCREW	1		
5-017	463-25008-200	IDLE ADJUST SPRING	1		
5-018	477-25007-200	VALVE SPRING	1		
5-019	603-25001-200	NEEDLE VALVE	1		
5-020	473-25001-200	VALVE HINGE	1		
5-021	605-25001-200	HINGE PIN	1		
5-022	578-25006-200	INLET SCREEN	1	M	
5-022	578-25007-200	INLET SCREEN	1		
5-023	514-25001-200	SET SCREW	1		
5-024	546-25001-200	HINGE PIN SET SCREW	1		
5-025	467-25003-200	SHUTTER SCREW	1		
5-026	548-25005-200	SET SCREW	5	M	
5-026	548-25012-200	SET SCREW	5		
5-027	539-25006-200	SWIVEL	1	M	
5-027	539-25008-200	SWIVEL	1		
5-028	489-25006-200	STOP RING	1	M	
5-028	489-25008-200	STOP RING	1		

FIG.6 GEAR CASE & HANDLE

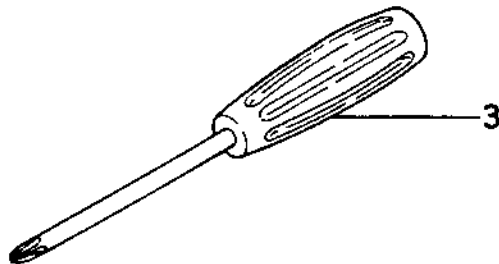
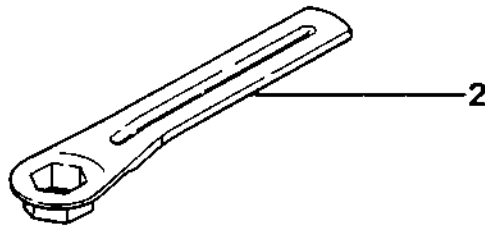
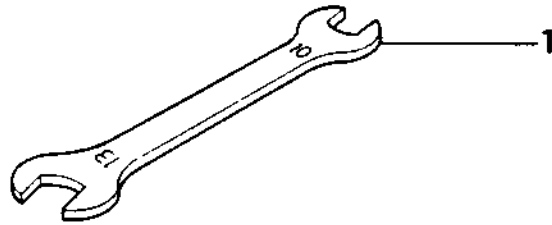


REF. NBR	PART NBR	PART NAME	QTY	SERIAL NBR	REMARKS
6-001	226-32420-803	CLUTCH HOUSING COMP.	1		
6-002	200-32420-200	GEAR CASE A	1		
6-003	204-32401-202	GEAR CASE GASKET B	1	I -L234357	
6-003	204-32401-203	GEAR CASE GASKET B	1	L234358-	
6-004	991-01060-011	NUT 6	4		
6-005	992-10060-012	S.WASHER 6	4		
6-007	221-32401-203	GEAR 2	1		
6-008	999-61620-202	BALL BEARING #6202Z, 35MM/OD	1		
6-009	999-61620-200	BALL BEARING #6202, 35MM/OD	1		
6-010	993-50015-002	STOP RING C-15 EX	1		
6-011	999-05041-201	KNOCK PIN 4X12	2		
6-012	201-32401-202	GEAR CASE B	1	-F137100	
6-012	201-32401-203	GEAR CASE B	1	P F137101-	
6-013	205-32401-201	GEAR CASE GASKET C	1		
6-014	990-11050-301	SCREW 5X30	2		
6-015	992-10050-012	S.WASHER 5	2		
6-016	088-11000-200	WOOD-RUFF KEY 3X13X5.0	1		
6-017	222-32420-201	GEAR 3	1		
6-019	999-61600-000	BALL BEARING #6000, 26MM/OD	3		
6-020.1	286-32453-900	GEAR 4 ASS'Y	1	-E237500	
6-020.1	286-32453-910	GEAR 4 ASS'Y	1	N -K168145	
6-020	286-32453-920	GEAR 4 ASS'Y	1	N K168146-	
6-021.1	223-32420-210	GEAR 4	1	-K168145	
6-021	223-32453-200	GEAR 4	1	N K168146-	
6-022.1	225-32453-200	DRIVE SHAFT	1	-E237500	
6-022.1	225-32453-210	DRIVE SHAFT	1	N -K168145	
6-022	225-32453-220	DRIVE SHAFT	1	N K168146-	
6-023	999-05041-201	KNOCK PIN 4X12	2		
6-024	202-32401-203	GEAR CASE C	1	R -G079501	
6-024	202-32401-204	GEAR CASE C	1	G079502-	
6-025	990-11050-501	SCREW 5X50	4		
6-026	992-10050-012	S.WASHER 5	4		
6-027	990-11050-301	SCREW 5X30	2		
6-028	992-10050-012	S.WASHER 5	2		
6-029	999-62173-060	THRUST BEARING 1730	1		
6-030	230-32420-200	GEAR SHAFT COLLAR A	1		
6-031	999-61600-302	BALL BEARING #6003Z, 35MM/OD	1		
6-032	993-51035-002	STOP RING C-35 IN	1		
6-033.1	076-32453-200	ADAPTOR A	1	-E237500	
6-033	076-32453-210	ADAPTOR A	1	N E237501-	
6-034	049-32430-900	HANDLE ASS'Y	1		
6-035	992-10060-012	S.WASHER 6	4		
6-036	990-21060-181	BOLT 6X18	4		
6-037	903-32201-200	WIRE CLAMP BAND	1		
6-038.1	078-32453-200	LOCK NUT	1	-E237500	
6-038	078-32453-210	LOCK NUT	1	N E237501-	
6-039	992-01060-011	WASHER 6	1	N F137101-	
6-040	992-10060-012	S.WASHER 6	1	N F137101-	
6-041	990-11060-101	SCREW 6X10	1	N F137101-	
6-042	088-11000-200	WOOD-RUFF KEY 3X13X5.0	1	D K168146-	
6-044	820-32203-200	PIN	2		
6-045	821-32203-200	SNAP PIN 8	2		
6-048.1	870-0063A-900	THROTTLE LEVER ASS'Y	1	-F137100	
6-048	870-01570-900	THROTTLE LEVER ASS'Y	1	N -L234357	
6-048	870-01570-910	THROTTLE LEVER ASS'Y	1	N L234358-	
6-049.1	170-01400-800	STOP BUTTON COMP.	1	-F137100	
6-049	182-01570-900	STOP SWITCH ASS'Y	1	N F137101-	
6-050.1	640-0082M-201	STOP BUTTON BRACKET	1	-F137100	
6-050	640-04035-200	STOP BUTTON BRACKET	1	N F137101-	
6-051	183-01300-200	SWITCH NAME PLATE	1	N F137101-	
6-052	992-04080-031	VAVE WASHER 8	1	D F137101-	
6-053	990-11050-301	SCREW 5X30	1	D F137101-	
6-054	992-10050-012	S.WASHER 5	1	D F137101-	

- To be cont'd -

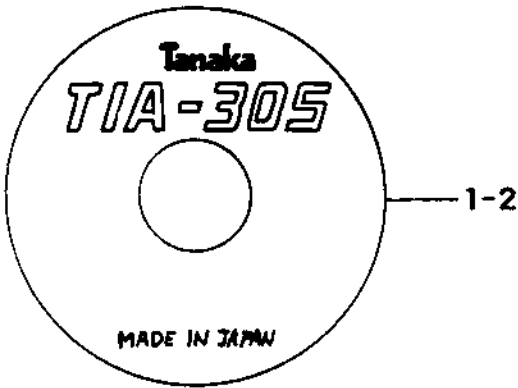
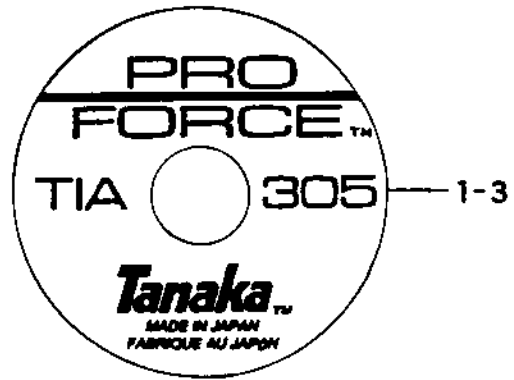
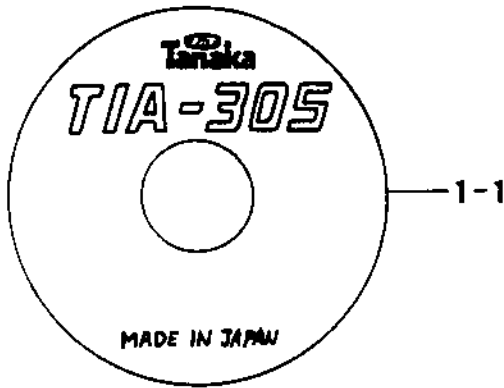
REF. NBR	PART NBR	PART NAME	QTY	SERIAL NBR	REMARKS
6-055	992-01050-011	WASHER 5	1	D F137101-	
6-056	992-01080-011	WASHER 8	2		
6-057.1	085-32453-200	ADAPTER SPACER	1	R -E237500	
6-057	085-32453-201	ADAPTER SPACER	1	E237501-	
6-058	958-01570-200	LOCK BUTTON SPRING	1	N F137101-	
6-059	992-01050-081	WASHER 5	1	N F137101-	
6-060	990-11050-084	SCREW 5X8	1	N F137101-	
6-061	096-01570-200	COLLAR 4.5	1	N L234358-	
6-063	358-10112-200	CLUTCH WASHER A	1	N K168146-	

FIG.7 TOOLS

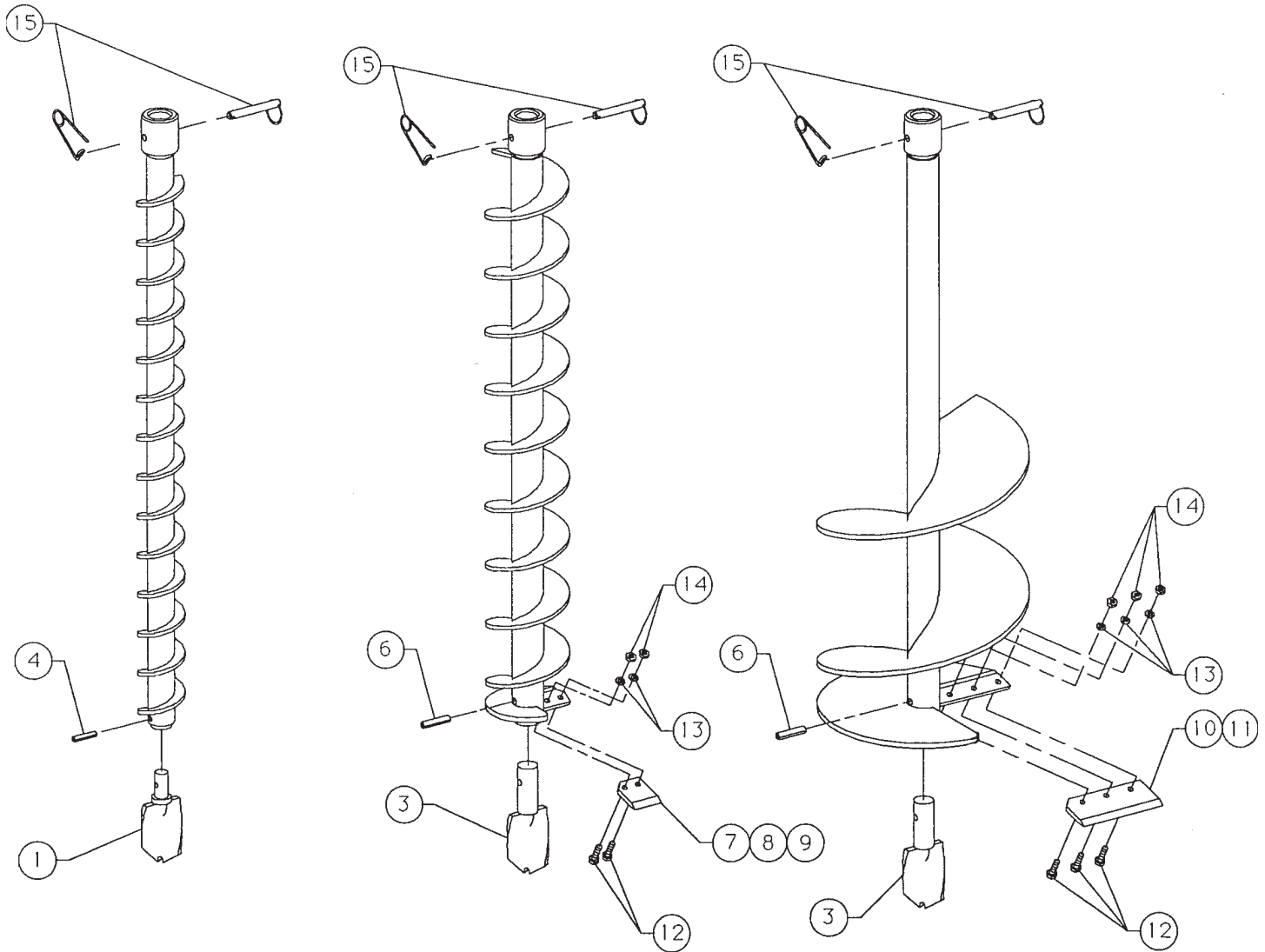


REF. NBR	PART NBR	PART NAME	QTY	SERIAL NBR	REMARKS
7-001	808-20000-200	SPANNER 10X13	1		
7-002	850-20000-201	SPARK PLUG BOX SPANNER	1	-F137100	
7-002	851-20000-201	SPARK PLUG BOX SPANNER	1	F137101-	
7-003	862-20000-200	PLUS DRIVER 4	1		

FIG.8 MARKS

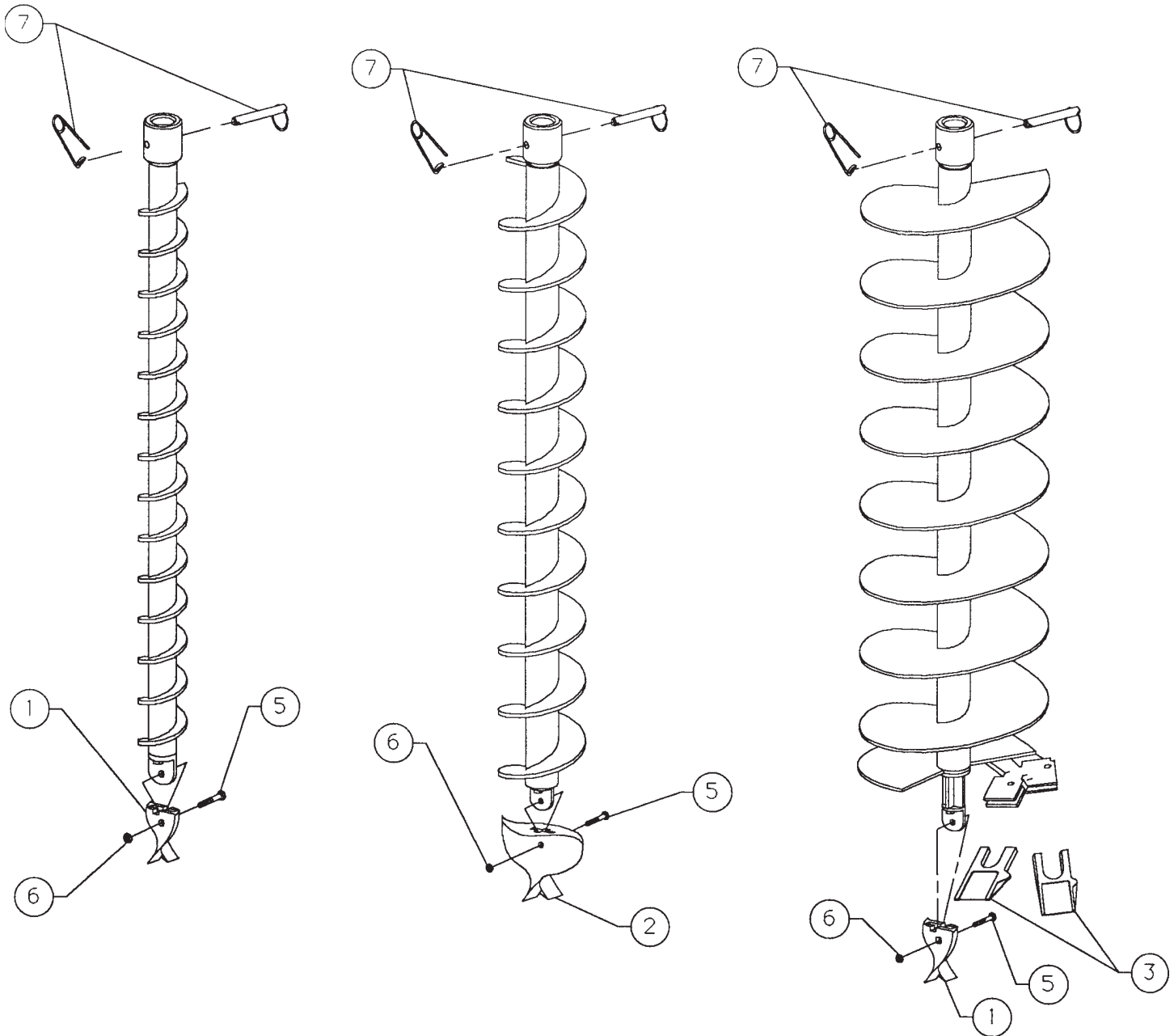


REF. NBR	PART NBR	PART NAME	QTY	SERIAL NBR	REMARKS
8-001.1	906-32453-200	NAME PLATE	1 R	-F137100	
8-001.2	906-32453-201	NAME PLATE	1	-J192056	
8-001.3	950-32453-200	PROFORCE MARK A	1 M	-K213170	
8-001	929-01570-200	SYMBOL MARK	1 N	K213171-	



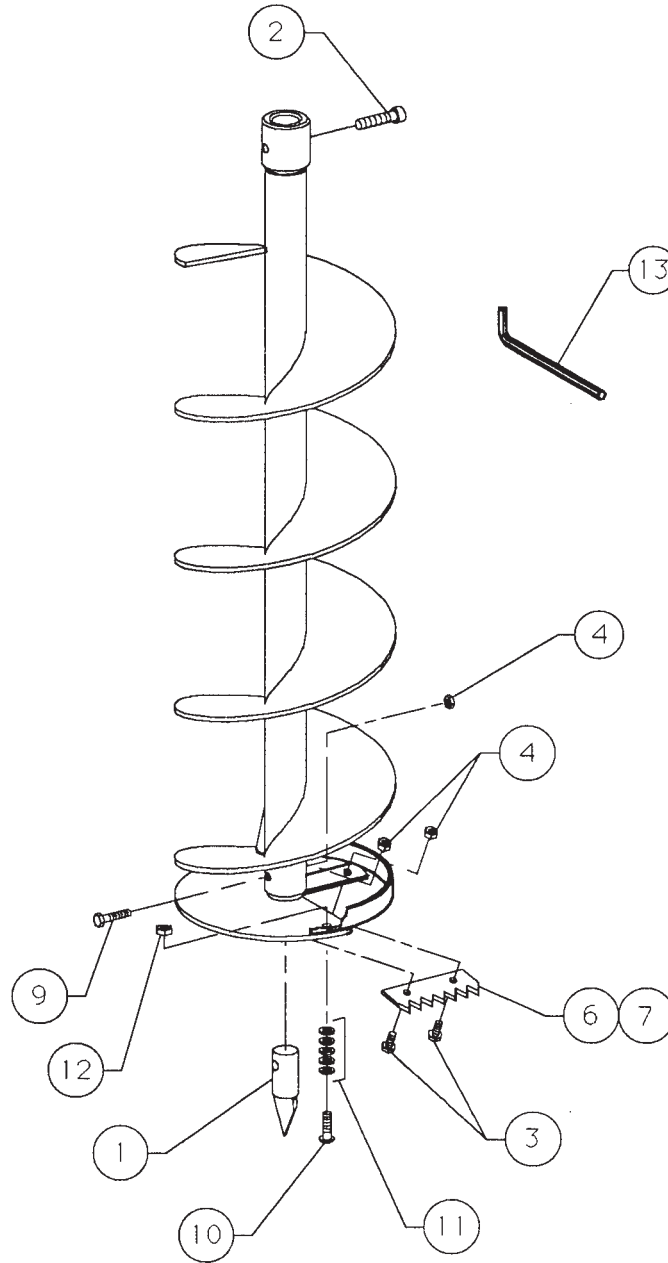
ITEM	PART NUMBER	DESCRIPTION	QTY	APPLICATION	COMMENTS
1	EBF-KIT	BIT, SCREW (EARTH ONLY)	1	EBF-02	
3	EBF-TIP	TIP	1	EBF-04 THRU EBF-12	
4	N/A	PIN, ROLL, 1/4" X 1-1/4"	1	EBF-02	STD HARDWARE ITEM
6	N/A	PIN, ROLL, 5/16" X 1-1/2"	1	EBF-04 THRU EBF-12	STD HARDWARE ITEM
7	CB-04	BLADE, 4"	1	EBF-04	
8	CB-06	BLADE, 6"	1	EBF-06	
9	CB-08	BLADE, 8"	1	EBF-08	
10	CB-10	BLADE, 10"	1	EBF-10	
11	CB-12	BLADE, 12"	1	EBF-12	
12	N/A	SCREW, CAP, HEX, 1/4 UNC X 7/8"	2,3	EBF-04 THRU EBF-12	STD HARDWARE ITEM
13	N/A	WASHER, LOCK, 1/4"	2,3	EBF-04 THRU EBF-12	STD HARDWARE ITEM
14	N/A	NUT, HEX, 1/4-20 UNC	2,3	EBF-04 THRU EBF-12	STD HARDWARE ITEM
15	EBF-PIN	PIN, AUGER	1	ALL AUGERS	
N/A	EBF-EXT	EXTENSION, 15"	1	ALL AUGERS	EXTENSION NOT SHOWN

EBF-02 = 745401, EBF-04 = 745402, EBF-06 = 745403, EBF-08 = 745404, 745405 = EBF-10, 745406 = EBF-12



ITEM	PART NUMBER	DESCRIPTION	QTY	APPLICATION	COMMENTS
1	28295	BIT,SCREW (EARTH ONLY)	1	EBF-02P, EBF-06P, EBF-08P	
2	30059	BIT,SCREW (EARTH ONLY)	1	EBF-04P	
3	28185	TOOTH,PENGO	2	EBF-06P, EBF-08P	HARD FACED
5	N/A	SCREW,CAP,5/16" X 1-1/2" UNC	1	ALL AUGERS	STD HARDWARE ITEM
6	N/A	NUT,HEX,5/16" UNC	1	ALL AUGERS	STD HARDWARE ITEM
7	EBF-PIN	PIN,AUGER	1	ALL AUGERS	
N/A	EBF-EXT	EXTENSION,15"	1	ALL AUGERS	EXTENSION NOT SHOWN

EBF-02P = 747401, EBF-04P = 747402, EBF-06P = 747403, EBF-08P = 747404



ITEM	PART NUMBER	DESCRIPTION	QTY	APPLICATION	COMMENTS
1	2424-1	BIT, SCREW (ICE ONLY)	1	ALL ICE AUGERS	
2	N/A	SCREW, ALLEN, 5/16" X 18 X 1-1/4"	1	ALL ICE AUGERS	STD HARDWARE ITEM
3	N/A	SCREW, CAP, 1/4-20 X 5/8"	2,3	ALL ICE AUGERS	STD HARDWARE ITEM
4	N/A	NUT, HEX, NYLOCK, 1/4"	3,4	ALL ICE AUGERS	STD HARDWARE ITEM
6	Y-246	BLADE, 6" (ICE ONLY)	1	IBH-06	
7	Y-248	BLADE, 8" (ICE ONLY)	1	IBH-08	
9	N/A	SCREW, CAP, 1/4-20 X 1-1/4"	1	ALL ICE AUGERS	STD HARDWARE ITEM
10	N/A	SCREW, CAP, 5/16-18 X 1-1/4"	1	ALL ICE AUGERS	STD HARDWARE ITEM
11	N/A	WASHER, FLAT, 1/4"	5	ALL ICE AUGERS	STD HARDWARE ITEM
12	N/A	NUT, HEX, NYLOCK, 5/16-18	1	ALL ICE AUGERS	STD HARDWARE ITEM
13	N/A	WRENCH, ALLEN, 1/4"	1	ALL ICE AUGERS	STD HARDWARE ITEM

IBH-06 = 745413, IBH-08 = 745414