

Tanaka

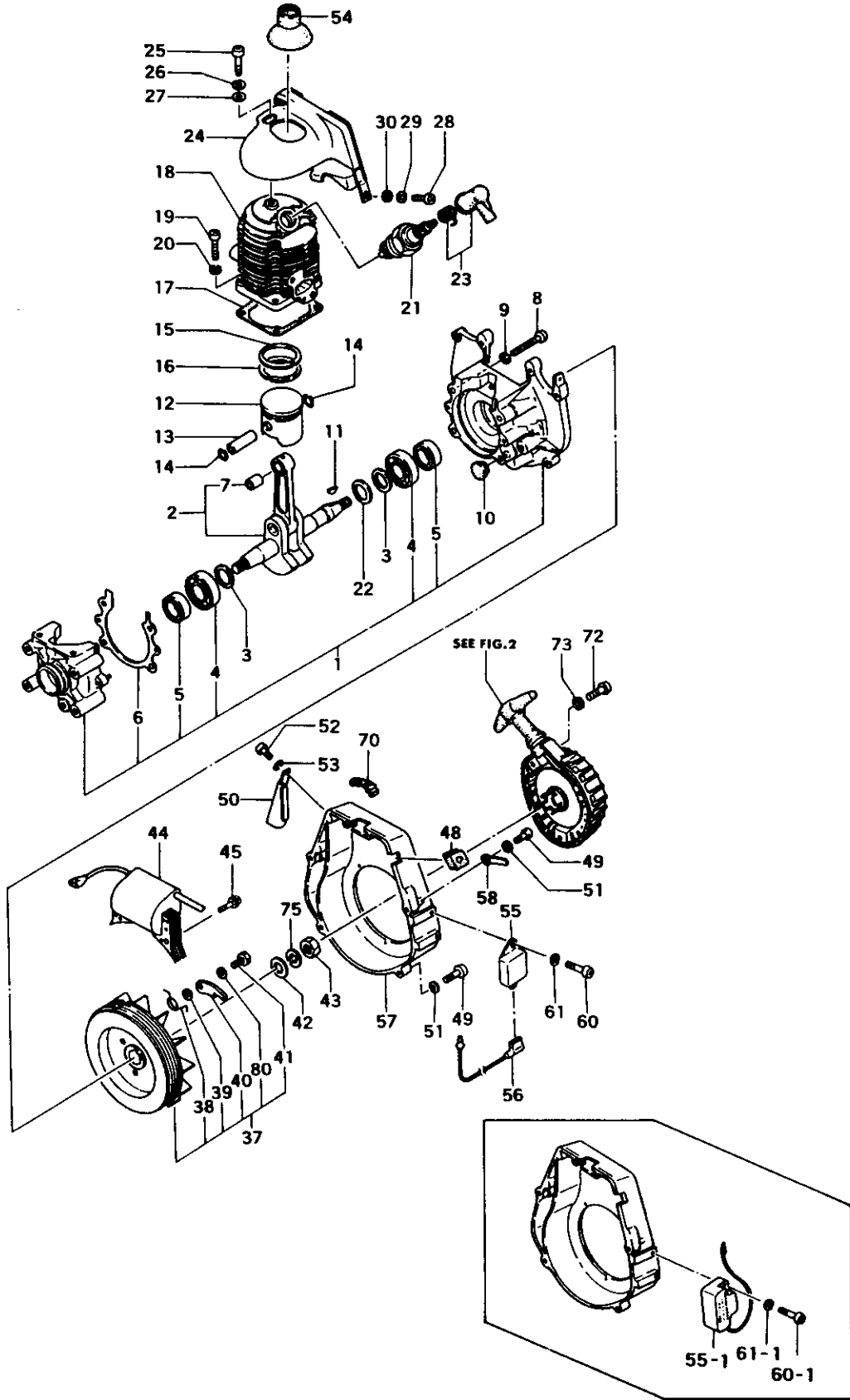
Parts Catalog

Hedgetrimmer

Model: THT-232

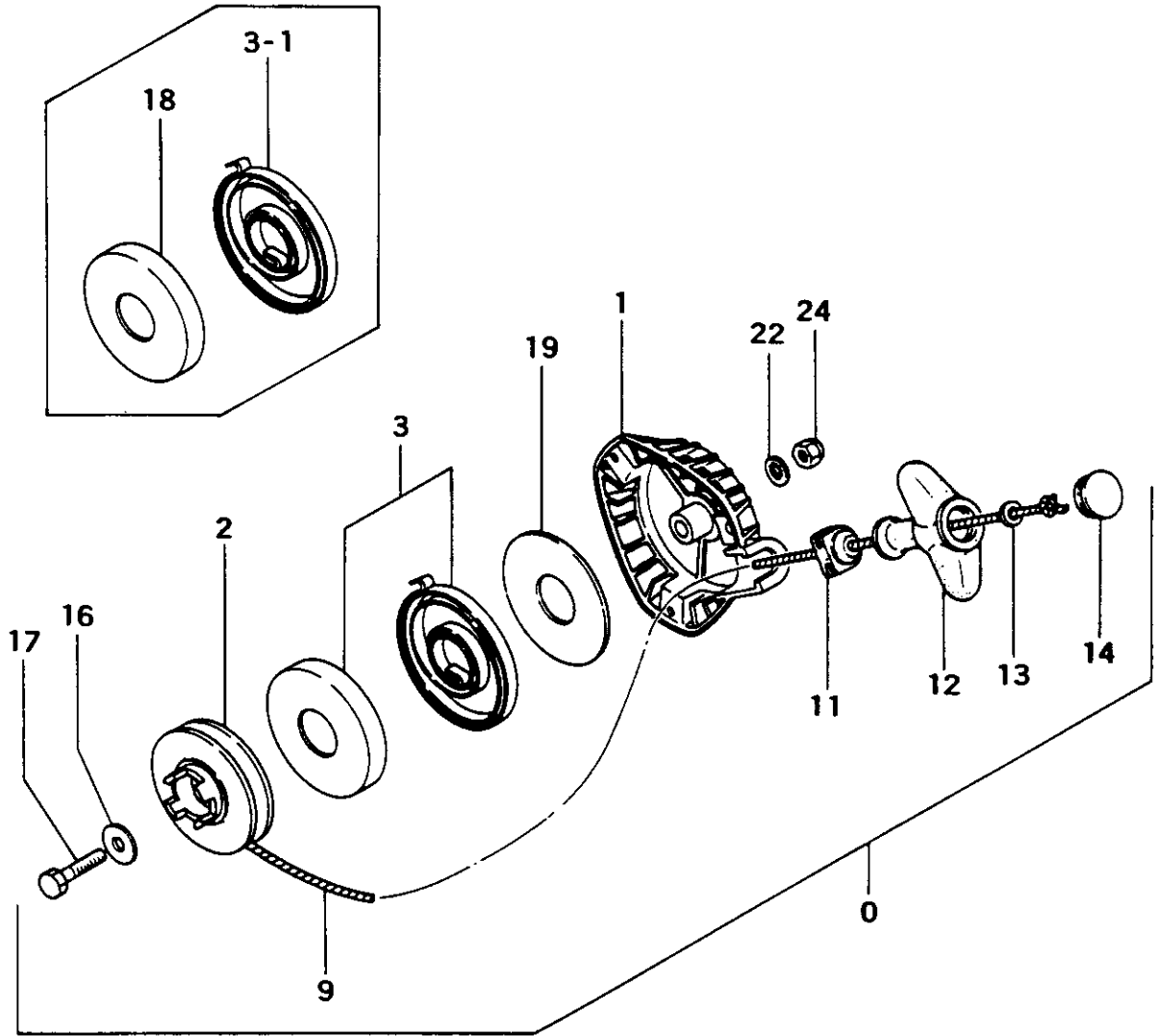
All Units Prior To Serial Number F 148391

FIG. 1 ENGINE



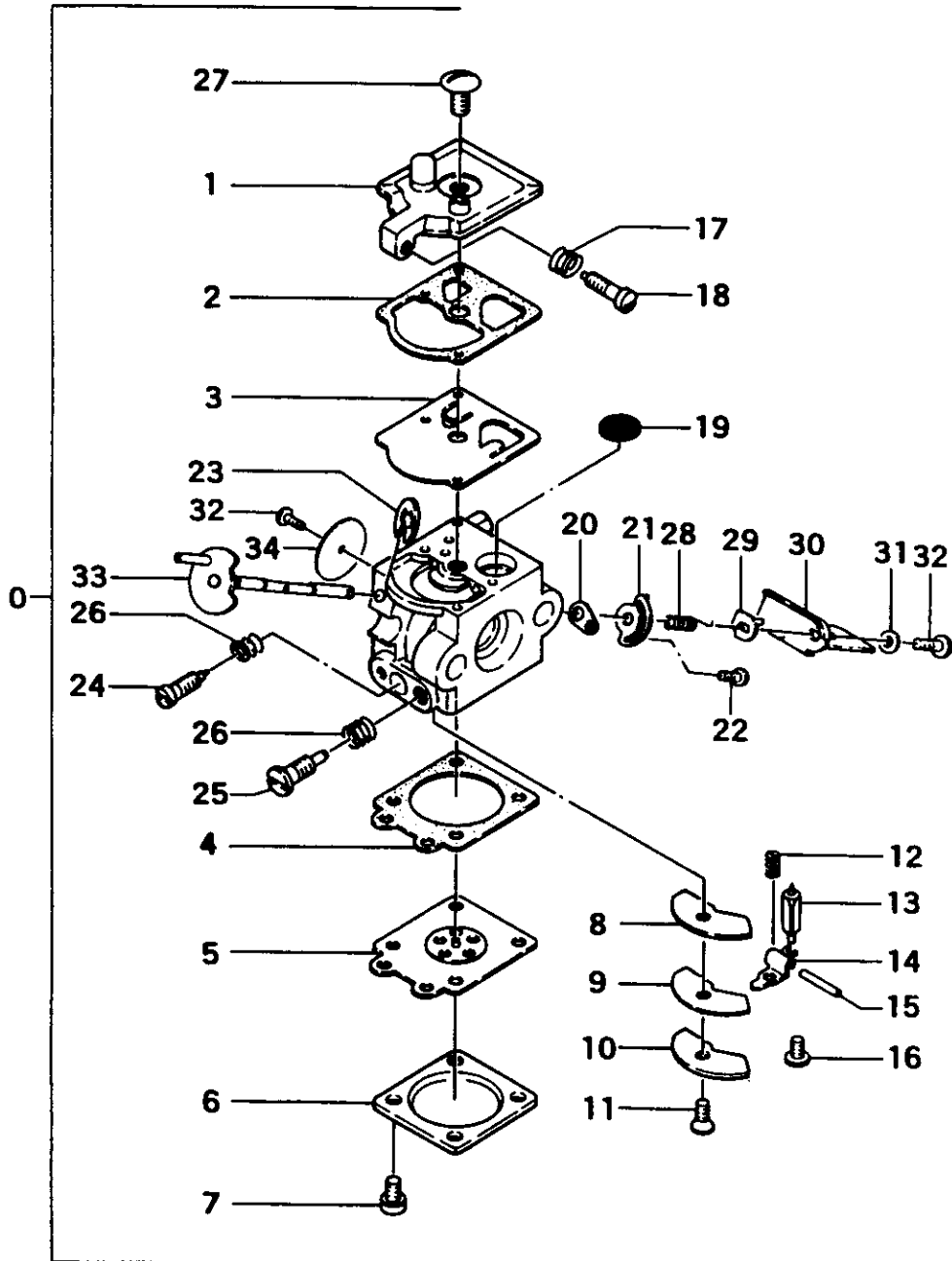
REF. NBR	PART NBR	PART NAME	QTY	SERIAL NBR	REMARKS
1-001	072-00764-900	CRANK CASE ASS'Y	1		
1-002	046-00700-803	CRANK SHAFT COMP.	1		
1-003	070-00601-201	CRANK SHAFT WASHER 12.2X18	2		
1-004	999-81600-100	BALL BEARING #8001, 28MM/OD	2		
1-005	999-86122-268	OIL SEAL 12227	2		
1-006	090-00601-205	CRANK CASE GASKET	1		
1-007	999-62081-225	NEEDLE BEARING F-810	1		
1-008	990-11050-251	SCREW 5X25	4		
1-009	992-10050-012	S. WASHER 5	4		
1-010	599-00601-200	GROMMET	1		
1-011	068-10100-200	WOOD-RUFF KEY 3X13X4.5	1		
1-012	031-00601-202	PISTON	1		
1-013	037-00601-200	PISTON PIN	1		
1-014	039-00601-200	PISTON PIN CIRCLIP	2		
1-015	040-00601-200	PISTON RING/TOP	1		
1-016	041-00601-200	PISTON RING	1		
1-017	017-00601-203	CYLINDER GASKET	1		
1-018	002-0062T-800	CYLINDER COMP.	1		
1-019	990-11050-161	SCREW 5X18	4		
1-020	992-10050-012	S. WASHER 5	4		
1-021	018-00502-200	SPARK PLUG BM6A	1		
1-022	330-00200-210	GEAR SHAFT SHIM 0.10	V		
1-022	330-00200-220	GEAR SHAFT SHIM 0.15	V		
1-022	330-00200-230	GEAR SHAFT SHIM 0.20	V		
1-022	330-00200-240	GEAR SHAFT SHIM 0.30	V		
1-023	157-04000-900	SPARK PLUG CAP ASS'Y	1		
1-024	016-00601-800	CYLINDER SHROUD COMP.	1		
1-025	990-11050-101	SCREW 5X10	1		
1-026	992-10050-012	S. WASHER 5	1		
1-027	992-01050-011	WASHER 5	1		
1-028	990-11040-101	SCREW 4X10	1		
1-029	992-10040-012	S. WASHER 4	1		
1-030	992-00040-011	SMALL WASHER 4	1		
1-037	155-21700-900	MAGNETO ROTOR ASS'Y	1		
1-038	790-00601-202	STARTER PAWL SPRING	2	-C132439	
1-038	790-00601-203	STARTER PAWL SPRING	2	P C132440-	
1-039	786-00601-200	STARTER PAWL WASHER	2		
1-040	788-00601-203	STARTER PAWL	2		
1-041	793-10200-201	STEP BOLT	2		
1-042	065-00000-200	FLYWHEEL WASHER	1		
1-043	066-00601-200	FLYWHEEL NUT	1		
1-044	167-20763-800	IGNITION COIL COMP.	1		
1-045	994-18040-181	SCREW 4X18/VS	2	M	
1-045	994-18040-226	SCREW 4X22/VS	2		
1-048	203-0804A-202	GROMMET	1		
1-049	990-11040-181	SCREW 4X18	4		
1-050	132-00601-200	FLASH PAN	1	-D037769	
1-050	132-00601-201	FLASH PAN	1	P D037770-	
1-051	992-10040-012	S. WASHER 4	4		
1-052	990-11040-101	SCREW 4X10	1		
1-053	992-10040-012	S. WASHER 4	1		
1-054	255-0062A-200	SPARK PLUG RUBBER COVER	1	R -D293830	
1-054	255-0062A-201	SPARK PLUG RUBBER COVER	1	D293831-	
1-055, 1	159-21401-870	IGNITOR COMP. TTI-1D	1	R -B078315	
1-055, 1	159-21401-871	IGNITOR COMP. TTI-1E	1	-E062000	
1-055	159-21401-872	IGNITOR COMP. TTI-1F	1	N E062001-	
1-056	173-0162R-800	IGNITOR LEAD WIRE COMP., R85M	1	N E062001-	
1-057	112-00700-201	FAN CASE	1		
1-058	198-11600-800	CORD CLAMP COMP.	1		
1-060, 1	990-11040-181	SCREW 4X18	2	-E062000	
1-060	990-11040-081	SCREW 4X8	1	N E062001-	
1-061, 1	992-10040-012	S. WASHER 4	2	-E062000	
1-061	992-10040-012	S. WASHER 4	1	E062001-	
1-070	130-00610-201	FAN CASE PLUG	1	-C085250	
1-070	130-00610-202	FAN CASE PLUG	1	P C085251-	
1-072	990-11040-101	SCREW 4X10	3		
1-073	992-10040-012	S. WASHER 4	3		
1-075	992-10070-012	S. WASHER 7	1		
1-080	822-00601-200	STARTER PAWL SHIM 0.6T	2		

FIG.2 RECOIL STARTER



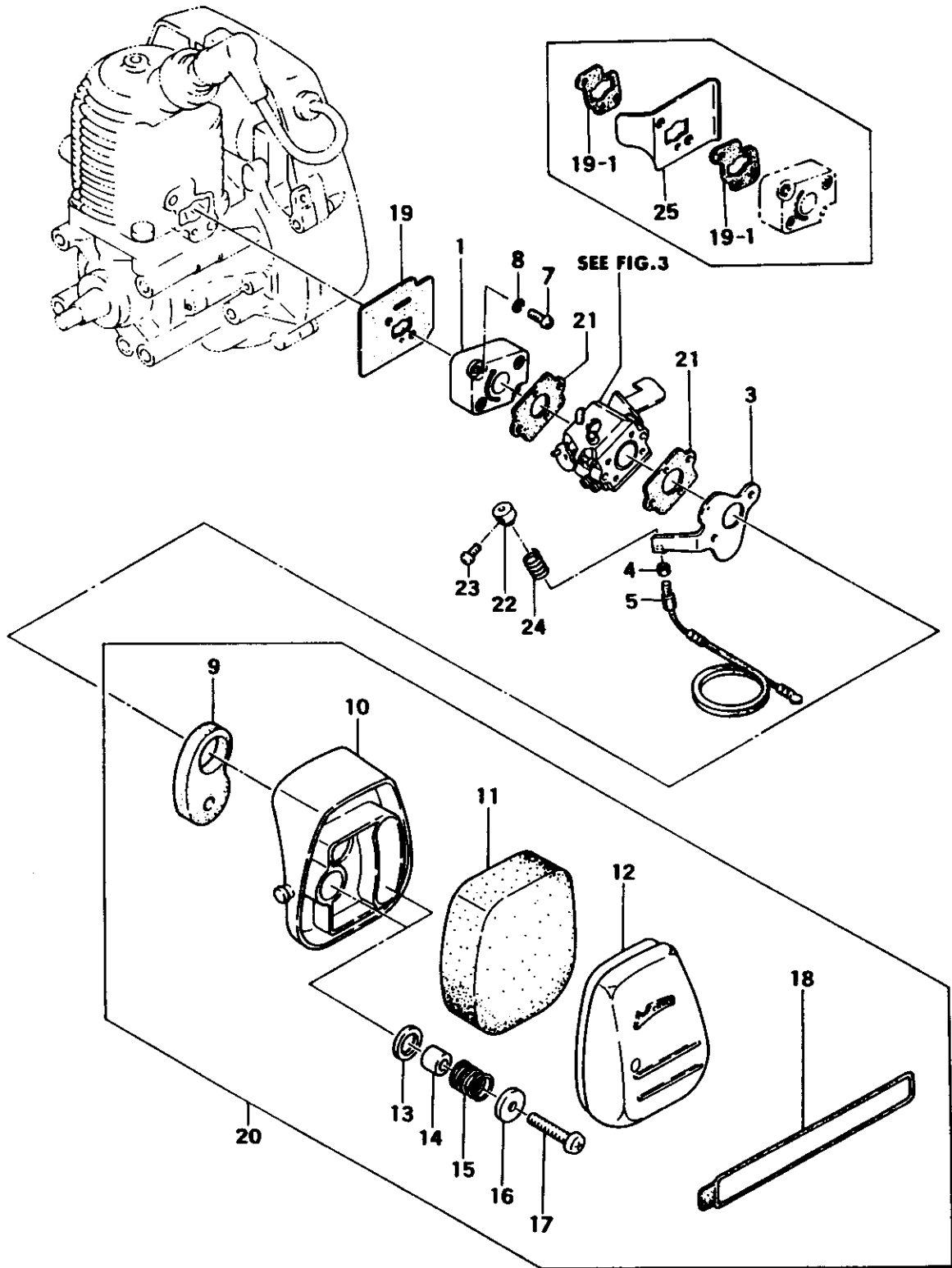
REF. NBR	PART NBR	PART NAME	QTY	SERIAL NBR	REMARKS
2-000	756-00601-912	RECOIL STARTER ASS'Y	1	R -B148363	
2-000	756-00601-920	RECOIL STARTER ASS'Y	1	B148364-	
2-001	772-00601-800	RECOIL STARTER BODY COMP.	1	R -B148363	
2-001	772-00601-820	RECOIL STARTER BODY COMP.	1	R -D006550	
2-001	772-00601-821	RECOIL STARTER BODY COMP.	1	D006551-	
2-002	774-00601-806	STARTER ROPE REEL COMP.	1		
2-003.1	779-00601-204	RECOIL SPRING	1	R -F067900	
2-003	778-00600-900	RECOIL SPRING CASE ASS'Y	1	F067901-	
2-009	783-00601-210	ROPE	1		
2-011	780-00601-201	ROPE GUIDE	1		
2-012	785-10207-201	STARTER HANDLE	1		
2-013	992-01040-011	WASHER 4	1		
2-014	833-10207-200	STARTER HANDLE CAP	1		
2-016	992-08050-006	SPECIAL WASHER 5	1		
2-017	990-21050-251	BOLT 5X25	1		
2-018	778-0141Y-202	RECOIL SPRING CASE	1	D F067901-	
2-019	778-00601-201	RECOIL SPRING CASE COVER	1		
2-022	992-20050-000	INNER TOOTHED WASHER 5	1		
2-024	991-43050-026	CAP NUT 5	1		

FIG.3 CARBURETOR



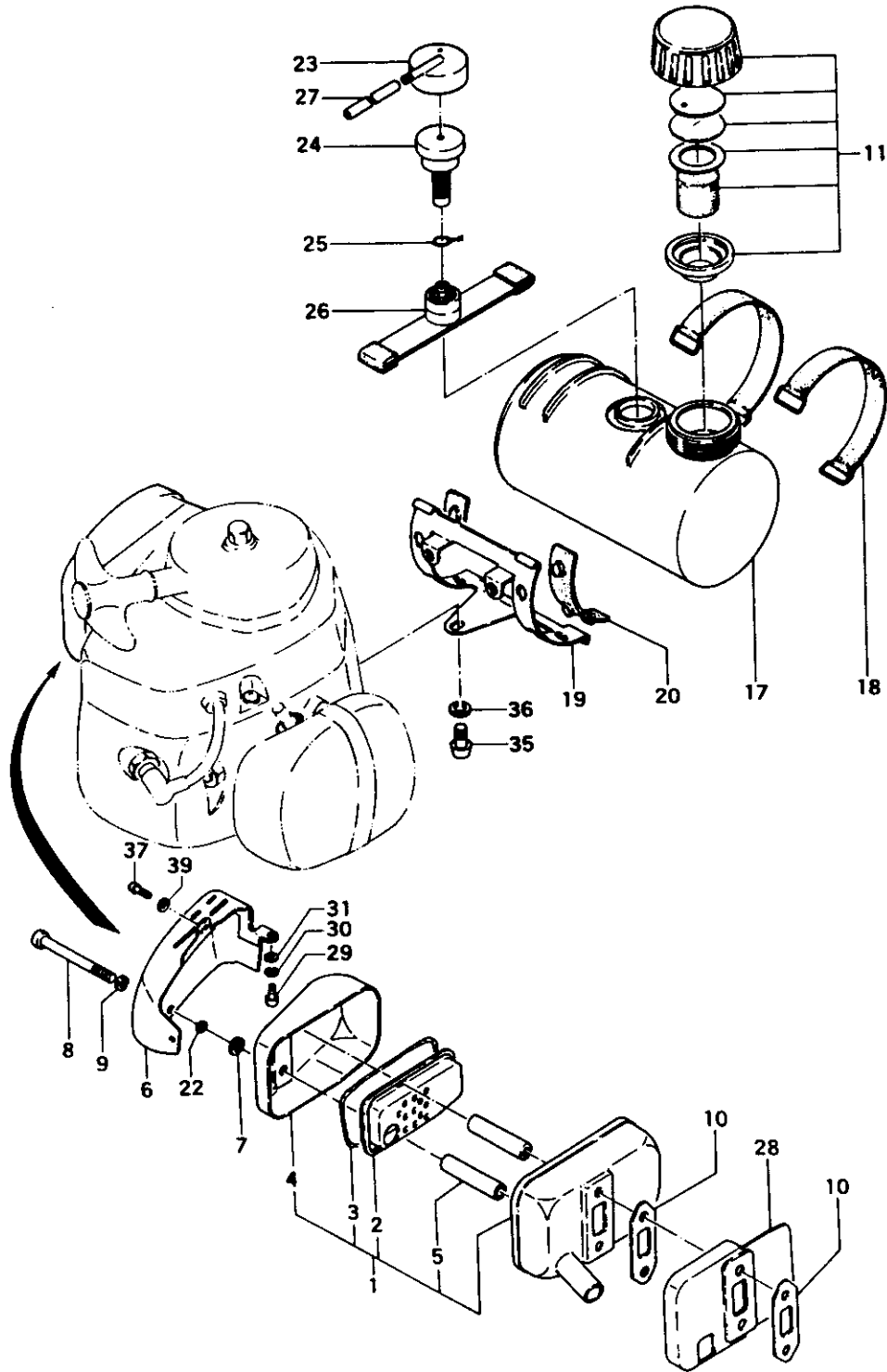
REF. NBR	PART NBR	PART NAME	QTY		SERIAL NBR	REMARKS
3-000	455-25004-902	CARBURETOR ASS'Y	1	R	D006550	
3-000	455-25022-900	CARBURETOR ASS'Y WA-12C	1	R	D037770	
3-000	455-25022-901	CARBURETOR ASS'Y WA-12C	1		D037771-	
3-001	575-25001-200	PUMP BODY	1			
3-002	577-25001-200	PUMP GASKET	1			
3-003	576-25001-200	PUMP DIAPHRAGM	1			
3-004	475-25001-200	DIAPHRAGM GASKET	1			
3-005	474-25001-800	METERING DIAPHRAGM COMP.	1			
3-006	476-25006-200	DIAPHRAGM COVER	1	M		
3-006	476-25004-200	DIAPHRAGM COVER	1			
3-007	548-25014-201	SET SCREW	4	M		
3-007	548-25012-200	SET SCREW	4			
3-008	522-25001-200	CIRCUIT PLATE GASKET	1			
3-009	521-25001-200	CIRCUIT CHECK VALVE DIAPHRAGM	1			
3-010	523-25001-200	CIRCUIT PLATE	1			
3-011	524-25001-200	CIRCUIT PLATE SCREW	1			
3-012	477-25001-200	VALVE SPRING	1			
3-013	603-25001-200	NEEDLE VALVE	1			
3-014	473-25001-200	VALVE HINGE	1			
3-015	605-25001-200	HINGE PIN	1			
3-016	546-25001-200	HINGE PIN SET SCREW	1			
3-017	463-25008-200	IDLE ADJUST SPRING	1			
3-018	462-25008-200	IDLE ADJUST SCREW	1			
3-019	578-25001-200	INLET SCREEN	1			
3-020	505-25004-200	GOVERNOR CONTROL PLATE	1			
3-021	507-25004-200	CONTROL LEVER	1			
3-022	548-25004-200	SCREW 3X8	1			
3-023	489-25004-200	STOP RING	1			
3-024	461-25001-200	SLOW ADJUST SCREW	1			
3-025	460-25001-200	MAIN JET SCREW	1			
3-026	623-25001-200	HIGH/LOW ADJUST SPRING	2			
3-027	514-25001-200	SET SCREW	1			
3-028	486-25004-200	CONTROL LEVER SPRING	1			
3-029	490-25004-200	GOVERNOR SPRING LEVER	1			
3-030	630-25004-201	GOVERNOR LEVER	1			
3-031	549-25004-200	SPECIAL WASHER	1			
3-032	467-25003-200	SHUTTER SCREW	2			
3-033	464-25004-800	THROTTLE SHAFT COMP.	1			
3-034	488-25012-200	THROTTLE VALVE	1	M		
3-034	488-25001-200	THROTTLE VALVE	1			

FIG.4 AIR CLEANER



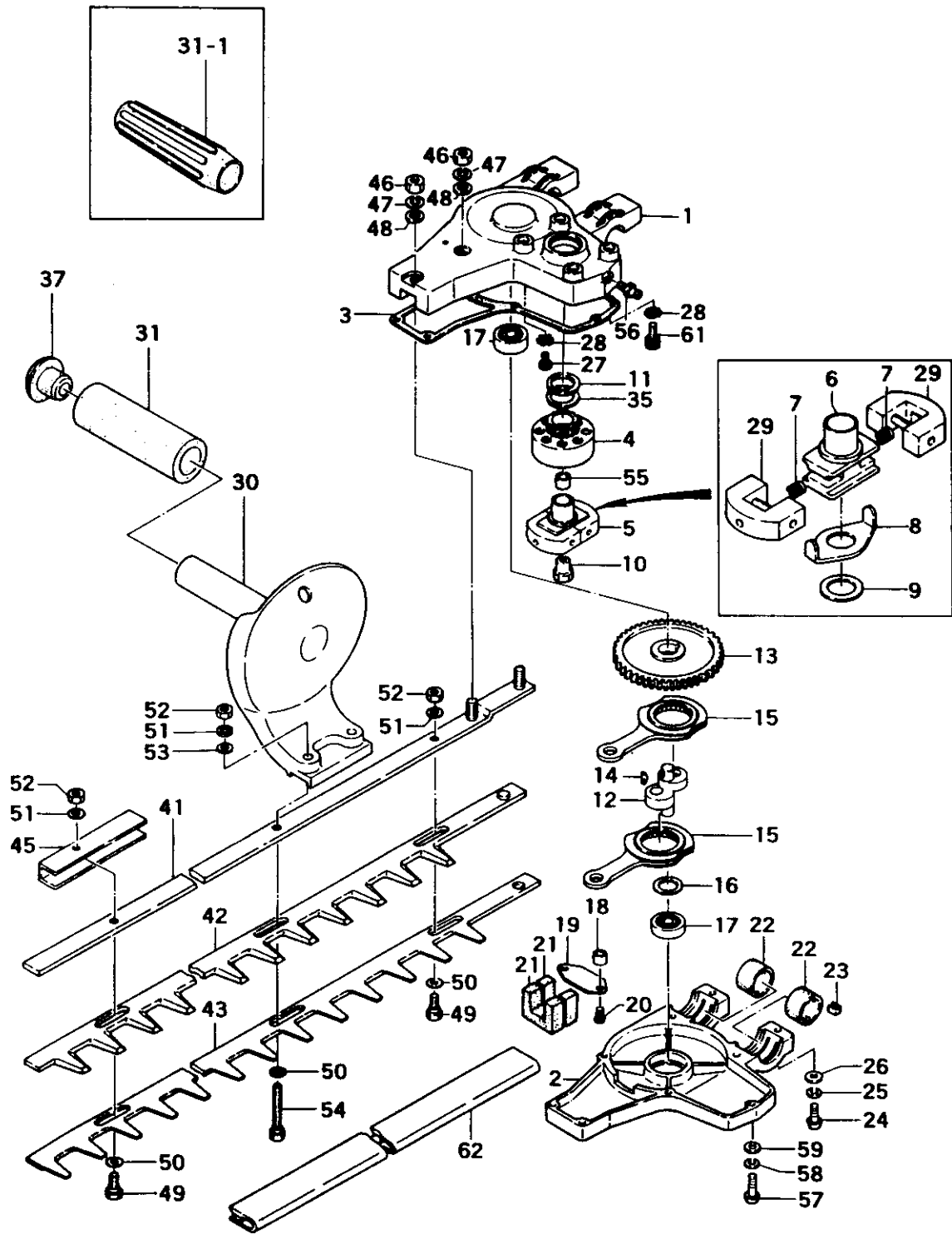
REF. NBR	PART NBR	PART NAME	QTY	SERIAL NBR	REMARKS
4-001	404-0142A-801	CARBURETOR INSULATOR COMP.	1		
4-003	436-0062W-250	AIR CLEANER BASE	1	R -C132439	
4-003	436-0062W-251	AIR CLEANER BASE	1	C132440-	
4-004	991-01060-013	NUT 6	1		
4-005	894-01401-201	OUTER RECEIVER	1		
4-007	990-11050-241	SCREW 5X24	2		
4-008	992-10050-012	S. WASHER 5	2		
4-009	431-00601-201	CLEANER GASKET	1		
4-010	423-00601-203	AIR CLEANER BODY	1		
4-011	444-00601-201	CLEANER ELEMENT A	1		
4-012	424-00601-202	CLEANER COVER	1		
4-013	182-00601-200	SPECIAL WASHER/CLEANER	2		
4-014	454-00601-202	CLEANER FIXING METAL	2		
4-015	432-00601-200	CLEANER SPRING	2		
4-016	992-01050-011	WASHER 5	2		
4-017	990-11050-551	SCREW 5X55	2		
4-018	466-0062A-200	CLEANER BAND	1		
4-019.1	403-00601-202	INLET MANIFOLD GASKET	2	-B230282	
4-019	403-00754-200	INLET MANIFOLD GASKET	1	N -C192852	
4-019	403-00754-201	INLET MANIFOLD GASKET	1	P C192853-	
4-020	410-0062A-901	AIR CLEANER ASS'Y	1		
4-021	402-00601-202	CARBURETOR GASKET	2		
4-022	228-0062W-201	METAL	1		
4-023	990-11040-060	SCREW 4X6	1		
4-024	688-11501-200	RETURN SPRING	1		
4-025	132-0062W-201	FLASH PAN	1	D B230283-	

FIG. 5 FUEL TANK & MUFFLER



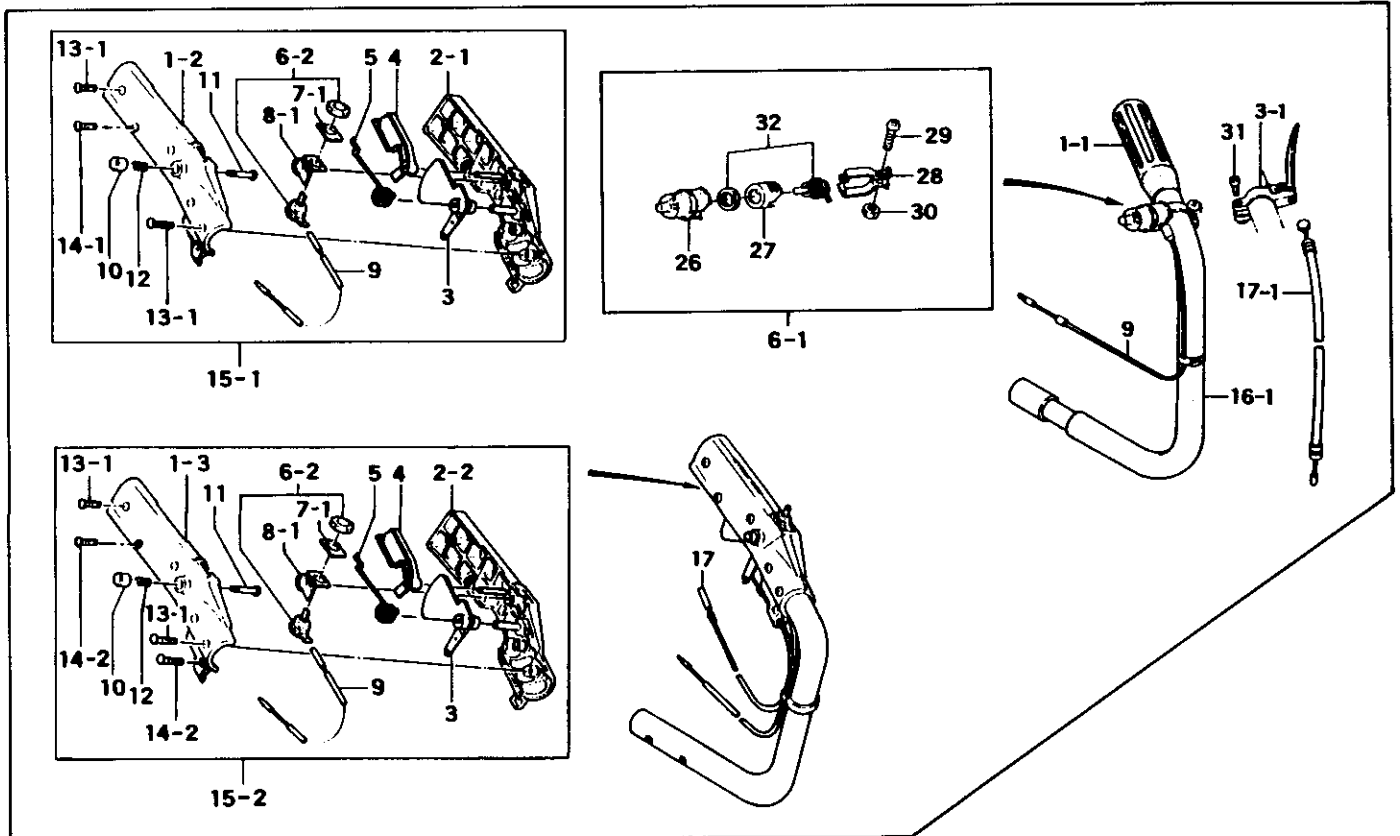
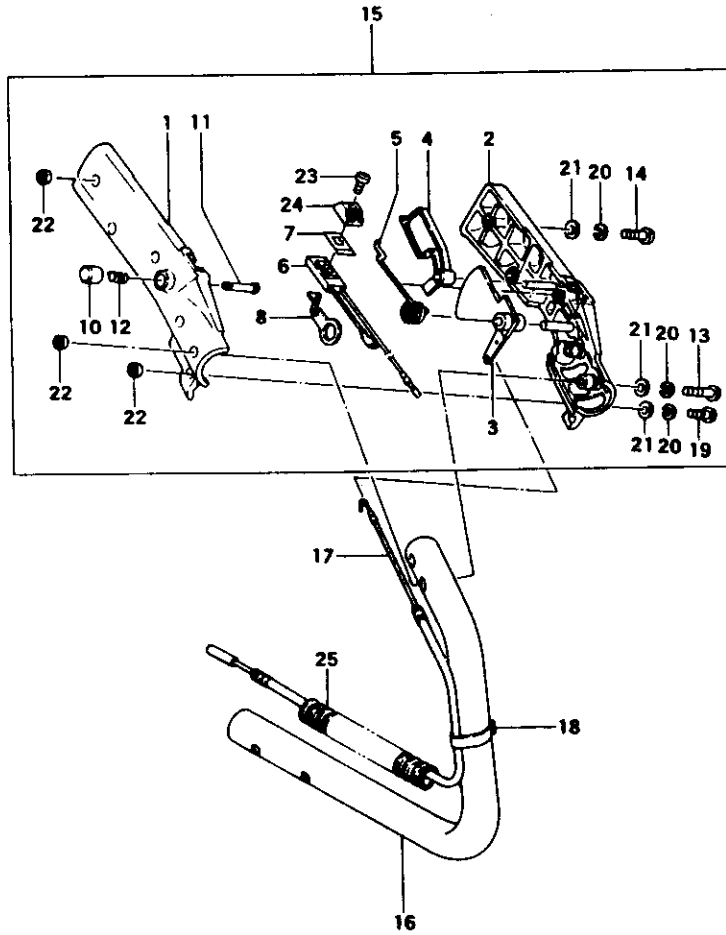
REF. NBR	PART NBR	PART NAME	QTY	SERIAL NBR	REMARKS
5-001	706-0062W-900	MUFFLER ASS'Y	1	R -B027993	
5-001	706-0062W-901	MUFFLER ASS'Y	1	R -C154793	
5-001	706-0062W-910	MUFFLER ASS'Y	1	C154794-	
5-002	722-0062W-800	MUFFLER PARTITIVE PLATE	1	R -B027993	
5-002	722-0062W-810	MUFFLER PARTITIVE PLATE	1	R -C154793	
5-002	722-0062W-820	MUFFLER PARTITIVE PLATE	1	C154794-	
5-003	723-0062W-200	ASBESTOS THREAD	1		
5-004	717-0062W-801	MUFFLER BODY B COMP.	1		
5-005	740-0062W-200	MUFFLER COLLAR	2		
5-006	738-0062W-211	MUFFLER PROTECTOR	1		
5-007	751-0062W-200	MUFFLER S. GASKET	2		
5-008	990-11050-801	SCREW 5X60	2		
5-009	992-10050-012	S.WASHER 5	2		
5-010	737-00531-201	MUFFLER GASKET	2		
5-011	595-0062A-910	TANK CAP ASS'Y, ORANGE	1	M	
5-011	595-0062A-901	TANK CAP ASS'Y	1		
5-017	591-00764-800	TANK COMP.	1		
5-018	603-01401-800	FUEL TANK BAND COMP.	2		
5-019	607-0062W-200	FUEL TANK BRACKET	1		
5-020	655-02101-201	FUEL TANK CUSHION RUBBER	2		
5-022	992-01050-011	WASHER 5	2		
5-023	500-33202-205	RUBBER PIPE CAP	1		
5-024	678-00601-201	RUBBER PIPE	1		
5-025	680-04019-210	CLIP 7	1		
5-026	675-04001-900	PUMP FILTER BODY ASS'Y	1		
5-027	700-03005-175	FUEL PIPE 3X5X175	1	R -D006550	
5-027	700-03005-205	FUEL PIPE, 3X5X205	1	D006551-	
5-028	133-0062T-210	HEAT SHIELD	1	R -B078316	
5-028	132-0062W-201	FLASH PAN	1	M	
5-028	133-0062W-200	HEAT SHIELD	1	B078317-	
5-029	990-11040-101	SCREW 4X10	1		
5-030	992-10040-012	S.WASHER 4	1		
5-031	992-01040-011	WASHER 4	1		
5-035	990-11050-101	SCREW 5X10	3		
5-036	992-10050-012	S.WASHER 5	3		
5-037	990-11040-101	SCREW 4X10	1		
5-039	992-01040-011	WASHER 4	1		

FIG.6 GEAR CASE & CUTTER



REF. NBR	PART NBR	PART NAME	QTY	SERIAL NBR	REMARKS
6-001	300-33210-208	GEAR CASE A	1		
6-002	301-33210-202	GEAR CASE B	1	I	-F067900
6-002	301-33210-203	GEAR CASE B	1		F067901-
6-003	303-33210-202	GEAR CASE GASKET	1		
6-004	288-0062W-804	CLUTCH HOUSING COMP.	1		
6-005	277-0062W-900	CLUTCH ASS'Y	1		
6-006	346-0062W-200	CLUTCH BOSS	1		
6-007	342-0062W-200	CLUTCH SPRING	2		
6-008	339-0062W-201	CLUTCH ARM FIXING PLATE	1		
6-009	992-01100-011	WASHER 10	1		
6-010	337-0062W-203	CLUTCH NUT	1		
6-011	330-00200-210	GEAR SHAFT SHIM 0.10	V		
6-011	330-00200-220	GEAR SHAFT SHIM 0.15	V		
6-011	330-00200-230	GEAR SHAFT SHIM 0.20	V		
6-011	330-00200-240	GEAR SHAFT SHIM 0.30	V		
6-011	323-00200-200	DRIVE SHAFT COLLAR	V		
6-012	100-33210-203	CAM SHAFT	1		
6-013	307-00200-204	GEAR 2	1		
6-014	068-00300-200	WOOD-RUFF KEY 3X10X3.7	1		
6-015	101-33230-800	CAM ROD COMP.	2		
6-016	014-35100-201	SHAFT SHIM 1.0 (9.3X18)	V		
6-016	016-35100-201	SHAFT SHIM 0.2 (9.3X18)	V		
6-017	999-61629-000	BALL BEARING #629, 26MM/OD	2		
6-018	071-33202-200	FIXING PLATE SPACER	2		
6-019	070-33202-200	FIXING PLATE	1		
6-020	990-11050-101	SCREW 5X10	2	M	
6-020	990-11050-121	SCREW 5X12	2		
6-021	085-33202-200	GREASE SEAL A	2		
6-022	060-33210-200	HANDLE DAMPER RUBBER	2		
6-023	176-0062W-201	EARTH TERMINAL	1		
6-024	990-11050-221	SCREW 5X22	4		
6-025	992-10050-012	S.WASHER 5	4		
6-026	992-00050-011	SMALL WASHER 5	4		
6-027	990-21050-152	HEX. BOLT 5X15	2	R	-C085250
6-027	990-23050-156	BOLT 5X15	2		C085251-
6-028	992-21050-030	OUTER TOOTHED WASHER 5	4		
6-029	345-0062W-800	CLUTCH SHOE COMP.	2		
6-030	051-33210-820	HANDLE B COMP.	1		
6-031, 1	165-35100-202	HANDLE GRIP	1	R	-F147891
6-031	165-33250-200	HANDLE GRIP	1		F147892-
6-035	565-34301-200	THRUST WASHER 12	2		-F067900
6-035	565-34301-200	THRUST WASHER 12	1		F067901-
6-037	212-33250-200	GROMMET	1	M	F147892-
6-041	122-33202-202	CUTTER GUIDE, L-832.5	1		
6-042	121-33202-203	CUTTER B, L-825	1		
6-043	120-33202-203	CUTTER A, L-825	1		
6-045	128-33202-200	BLADE HOLDER	1		
6-046	991-01060-011	NUT 6	2		
6-047	992-10060-012	S.WASHER 6	2		
6-048	992-01060-011	WASHER 6	2		
6-049	124-33202-205	CUTTER FIXING BOLT A	4	R	-D037770
6-049	124-33202-206	CUTTER FIXING BOLT A	4		D037771-
6-050	129-33202-200	WASHER 7	5	R	-D037770
6-050	129-33202-201	WASHER 7	5		D037771-
6-051	992-10060-012	S.WASHER 6	5		
6-052	123-33202-200	CUTTER FIXING NUT	5		
6-053	992-01060-011	WASHER 6	1		
6-054	125-33202-205	CUTTER FIXING BOLT B	1		
6-055	110-0062W-200	PLAIN BEARING	1		
6-056	200-33210-210	GREASE NIPPLE	1		
6-057	990-11040-201	SCREW 4X20	5		
6-058	992-10040-012	S.WASHER 4	5		
6-059	992-00040-011	SMALL WASHER 4	5		
6-061	990-23050-156	BOLT 5X15	2	R	-C033284
6-061	990-51050-153	HEX. HOLE BOLT 5X15	2		C033285-
6-062	138-33215-201	CUTTER COVER, L-773	1	R	-D142726
6-062	138-33215-202	CUTTER COVER, L-773	1		D142727-

FIG.7 HANDLE

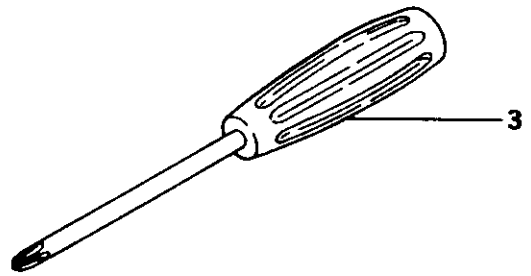
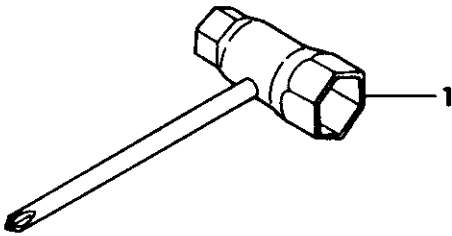
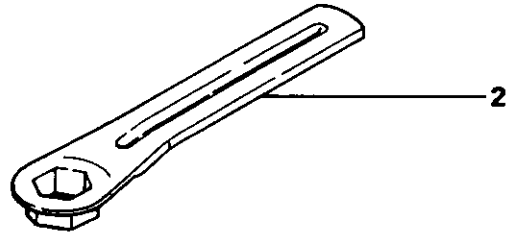
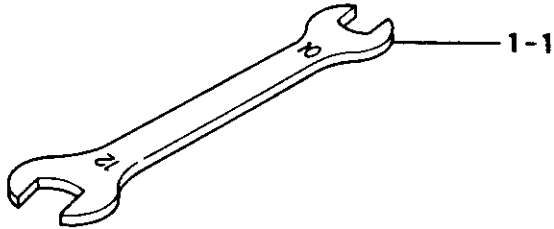


REF. NBR	PART NBR	PART NAME	QTY	SERIAL NBR	REMARKS
7-001.1	165-35100-202	HANDLE GRIP	1	-C132840	
7-001.2	053-33222-200	HANDLE GRIP A	1	M C132841-	
7-001.2	053-33222-200	HANDLE GRIP A	1	R -C192852	
7-001.3	053-33222-201	HANDLE GRIP A	1	R -D219800	
7-001.3	053-33222-202	HANDLE GRIP A (SAFETY TRIGGER)	1	-F067900	
7-001	053-33222-220	HANDLE GRIP A	1	M F067901-	
7-002.1	054-33222-200	HANDLE GRIP B	1	M C132841-	
7-002.1	054-33222-200	HANDLE GRIP B	1	R -C192852	
7-002.2	054-33222-201	HANDLE GRIP B	1	R -D219800	
7-002.2	054-33222-202	HANDLE GRIP B (SAFETY TRIGGER)	1	-F067900	
7-002	054-33222-220	HANDLE GRIP B	1	M F067901-	
7-003.1	870-0063A-900	THROTTLE LEVER ASS'Y	1	-C132840	
7-003	230-33210-200	THROTTLE LEVER	1	M C132841-	
7-003	230-33210-200	THROTTLE LEVER	1	I -F067900	
7-003	230-33210-201	THROTTLE LEVER	1	F067901-	
7-004	231-33210-200	SAFETY LEVER	1	M C132841-	
7-005	061-32600-200	THROTTLE LEVER SPRING	1	N C132841-	
7-005	061-32600-200	THROTTLE LEVER SPRING	1	I -F067900	
7-005	061-32600-201	THROTTLE LEVER SPRING	1	F067901-	
7-006.1	156-33210-901	STOP BUTTON ASS'Y	1	I -A350650	
7-006.1	156-33210-910	STOP BUTTON ASS'Y	1	R -B078316	
7-006.1	156-33210-911	STOP BUTTON ASS'Y	1	R -B120083	
7-006.1	156-33210-912	STOP BUTTON ASS'Y	1	-C132840	
7-006.2	162-01300-900	STOP SWITCH ASS'Y	1	M -F147891	
7-007.1	183-01300-200	SWITCH NAME PLATE	1	-F147891	
7-007	925-32530-200	STOP BUTTON MARK	1	M F147892-	
7-008.1	319-43225-200	EARTH TERMINAL	1	M C132841-	
7-008.1	319-43225-200	EARTH TERMINAL	1	-F147891	
7-008	319-37900-200	EARTH TERMINAL	1	M F147892-	
7-009	178-33222-800	STOP CORD	1	M C132841-	
7-009	178-33222-800	STOP CORD	1	D F147892-	
7-010	725-32600-202	PUSH PIN CAP	1	M C132841-	
7-011	064-32530-200	PUSH PIN	1	M C132841-	
7-012	066-32300-201	STOPPER SPRING	1	M C132841-	
7-013.1	993-41040-251	HI-LO SCREW 4X25	3	M C132841-	
7-013.1	993-41040-251	HI-LO SCREW 4X25	3	-F067900	
7-013	990-11040-301	SCREW 4X30	2	M F067901-	
7-014.1	993-41040-151	HI-LO SCREW 4X15	2	-C132840	
7-014.2	993-41040-151	HI-LO SCREW 4X15	3	M -F067900	
7-014	990-11040-251	SCREW 4X25	1	M F067901-	
7-015.1	055-33222-900	HANDLE GRIP ASS'Y	1	R -C132840	
7-015.2	055-33222-901	HANDLE GRIP ASS'Y	1	R -D219800	
7-015.2	055-33222-902	HANDLE GRIP ASS'Y	1	-F067900	
7-015.2	055-33222-903	HANDLE GRIP ASS'Y	1	P -F147891	
7-015.2	055-33222-903	HANDLE GRIP ASS'Y	1	R -F147891	
7-015	055-33222-904	HANDLE GRIP ASS'Y	1	F147892-	
7-016.1	050-33210-203	HANDLE A	1	-C132840	
7-016	050-33222-200	HANDLE A	1	M -F067900	
7-016	050-33222-200	HANDLE A	1	R -F067900	
7-016	050-33222-201	HANDLE A	1	R -F147891	
7-016	050-33222-202	HANDLE A	1	F147892-	
7-017.1	885-00764-800	THROTTLE WIRE COMP.	1	-C132840	
7-017	885-33225-800	THROTTLE WIRE COMP.	1	M C132841-	
7-018	903-00207-201	THROTTLE WIRE HOLDER	1		
7-019	990-11040-141	SCREW 4X14	3	M F067901-	
7-020	992-10040-012	S. WASHER 4	6	M F067901-	
7-021	992-00040-011	SMALL WASHER 4	6	M F067901-	
7-022	991-74040-010	U-NUT 4	6	M F067901-	
7-022	991-74040-010	U-NUT 4	6	I -F147891	
7-022	991-78040-010	NYLON LOCK NUT 4	6	F147892-	
7-023	994-31030-101	SCREW 3X10	1	M F147892-	
7-024	258-11600-200	BUTTON STOP	1	M F147892-	

- To be cont'd -

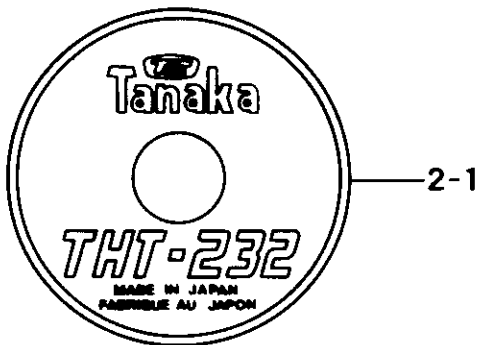
REF. NBR	PART NBR	PART NAME	QTY		SERIAL NBR	REMARKS
7-026	268-33210-205	STOP BUTTON RUBBER COVER	1	R	-B120083	
7-026	268-33210-210	STOP BUTTON RUBBER COVER	1	D	C132841-	
7-027	640-33210-201	STOP BUTTON BRACKET	1	R	-B078316	
7-027	640-33210-202	STOP SWITCH BRACKET	1	D	C132841-	
7-028	115-33210-200	BRACKET	2	I	-B028793	
7-028	115-33210-201	BRACKET	2	I	-B185090	
7-028	115-33210-202	BRACKET	2	D	C132841-	
7-029	990-11040-161	SCREW 4X16	1	D	C132841-	
7-030	991-01040-011	HEX. NUT 4	1	D	C132841-	
7-031	990-11060-251	SCREW 6X25	1	D	C132841-	
7-032	162-01300-900	STOP SWITCH ASS'Y	1	D	C132841-	

FIG.8 TOOLS



REF. NBR	PART NBR	PART NAME	QTY	SERIAL NBR	REMARKS
8-001.1	804-20000-200	SPANNER 10X12	1	-D219800	
8-001	036-29331-501	COMBI. BOX SPANNER 10X19 .PLUS	1	W D219801-	
8-002	851-20000-201	SPARK PLUG BOX SPANNER	1	D D219801-	
8-003	862-20000-200	PLUS DRIVER 4	1	D D219801-	

FIG.9 MARKS



IMPORTANT
 If this unit is not used regularly,
 please drain all fuel from fuel tank
 and carburetor after each use.
 Fuel Mixture Ratio GAS 25 : 1 OIL



IMPORTANT
 If this unit is not used regularly,
 please drain all fuel from fuel tank
 and carburetor after each USE.
 Fuel Mixture Ratio GAS 25 : 1 Oil

Si cette unité n'est pas utilisée régulièrement, il est
 recommandé de vidanger tout le combustible du réservoir
 de combustible et du carburateur après chaque usage.
 Rapport de mélange de combustible ESSENCE 25:1HUILE

REF. NBR	PART NBR	PART NAME	QTY	SERIAL NBR	REMARKS
9-001.1	929-0608A-200	SYMBOL MARK	1 R	-F147891	
9-001	929-0608A-201	SYMBOL MARK	1	F147892-	
9-002.1	906-33227-201	NAME PLATE	1 R	-F147891	
9-002	906-33227-202	NAME PLATE	1	F147892-	
9-003.1	909-0141C-201	MIXTURE RATIO MARK	1 R	-F067900	
9-003	909-0141C-210	MIXTURE RATIO MARK	1	F067901-	