

Tanaka



Parts Catalog



Hedge Trimmer

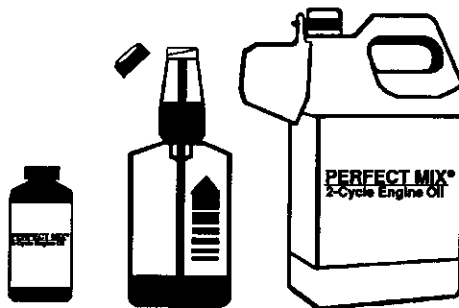
Model: THT-162

DPL-HT162-HST 03-18-96

THT-162

OPTIONS AND ACCESSORIES

PERFECT MIX® 2-Cycle Engine Oil



- 700109 2.8 oz. Bottle, 1 Gallon Size (24*)
700108 16 oz. Self-measuring Bottle (24*)
700110 1 Gallon Jug Commercial Size (6*)
* Case Quantity

MANUALS & CATALOGS

970-33231-200	Owner's Manual
DPL-HT162-HST	Parts Catalog

SPECIAL TOOLS

006-29326-000	Flywheel Remover-	001-29000-000	Tachometer
009-29323-500	Piston Pin Remove	070-2000W-500	Pressure Tester
906-33231-200	Clutch Drum Remover	070-2000W-501	Carb. Tool Kit

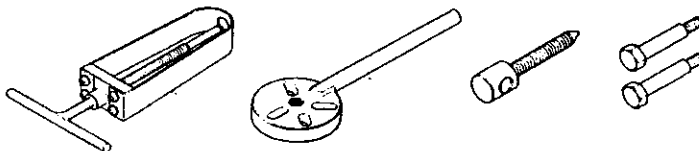


FIG.1 ENGINE

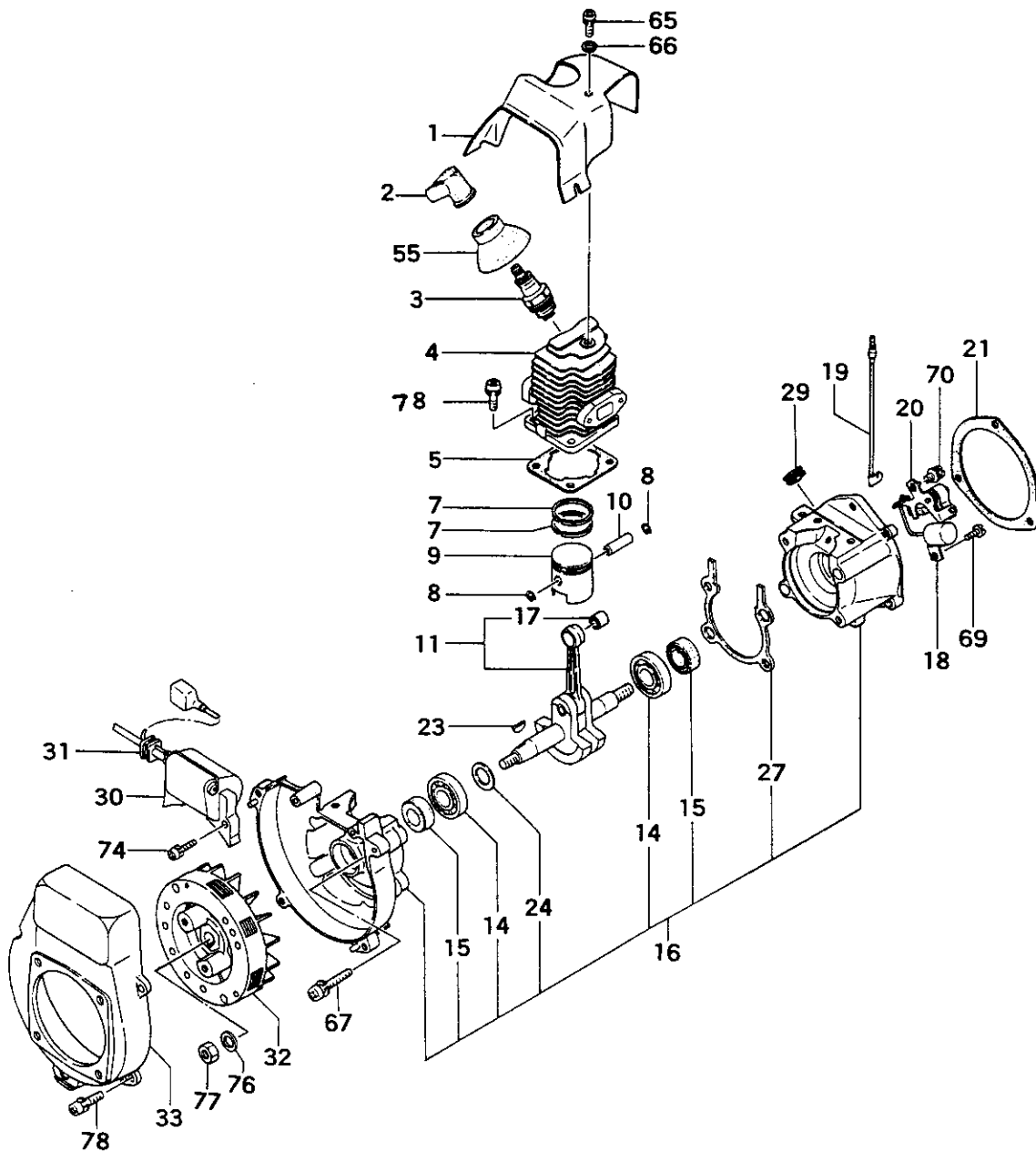


FIGURE 1

THT-162 PARTS LISTING

REF.	PART NO.	PART DESCRIPTION	Q	C	S	SERIAL NO.	REMARKS
1	016-0602W-801	SHROUD,CYLINDER	1		D		
2	157-01570-900	CAP,SPARK PLUG,ASS'Y	1		C		
3	018-01805-200	PLUG,SPARK	1		B		
4	002-0602K-801	CYLINDER	1		D		
5	017-06100-200	GASKET,CYLINDER	1		C		
7	041-06100-200	RING,PISTON	2		C		
8	039-06100-200	CIRCLIP,PISTON PIN	2		A		
9	031-06150-200	PISTON	1		D		
10	037-06100-200	PIN,PISTON	1		D		
14	999-61600-100	BEARING,BALL,#6001	2		B		
15	999-66122-240	SEAL,OIL,12227	2		A		
16	072-06020-900	CRANKCASE,ASS'Y	1		D		Includes bearings, seals and gasket
17	999-62071-127	BEARING,NEEDLE,F-79	1		C		
18	177-21501-800	CONDENSER	1		D		
19	173-00801-801	CORD,PRIMARY	1		D		
20	160-21501-900	BREAKER,CONTACT ASS'Y	1		D		
21	810-06000-201	GASKET,RECOIL STARTER	1		D		
23	068-10100-200	KEY,WOODRUFF,3X13X4.5	1		C		
24	330-00200-210	SHIM,12.2X19X.10	1		D		
24	330-00200-220	SHIM,12.2X19X.15	1		D		Shims are "as needed" to obtain correct c/s side clearance
24	330-00200-230	SHIM,12.2X19X.20	1		D		
24	330-00200-240	SHIM,12.2X19X.30	1		D		
27	090-06000-202	GASKET,CRANKCASE	1		C		
29	203-06000-200	GROMMET,PRIMARY CORD	1		C		
30	167-20745-801	COIL,IGNITION	1		C		
31	203-0604A-202	GROMMET	1		C		
32	155-21702-800	ROTOR,MAGNETO	1		D		
33	112-0602W-200	CASE,FAN	1		D		
55	255-0062A-201	COVER,SPARK PLUG	1		C		
65	994-34050-161	SCREW,S,5X16	1		D		
66	992-00050-011	WASHER,SMALL,5	1		C		
67	994-34050-301	SCREW,5X30/S	4		D		
69	990-11040-081	SCREW,4X8	1		C		
70	994-35040-101	SCREW,4X10/P.S	1		D		
74	994-34040-181	SCREW,S,4X18	2		D		
76	065-00000-200	WASHER,FLYWHEEL	1		D		
77	327-00201-201	NUT,L.H,7	1		D		
78	994-34050-161	SCREW,S,5X16	8		D		

* Indicates the part is included in a kit or assembly and is not available individually. Q=Quan. used C=Interchangeability S=Stocking code: A=Fast moving B=Med. fast C=Med. move D=Slow move E=N.L.A. F=Superseded or replaced by a new part

FIG.2 ENGINE COMPONENTS

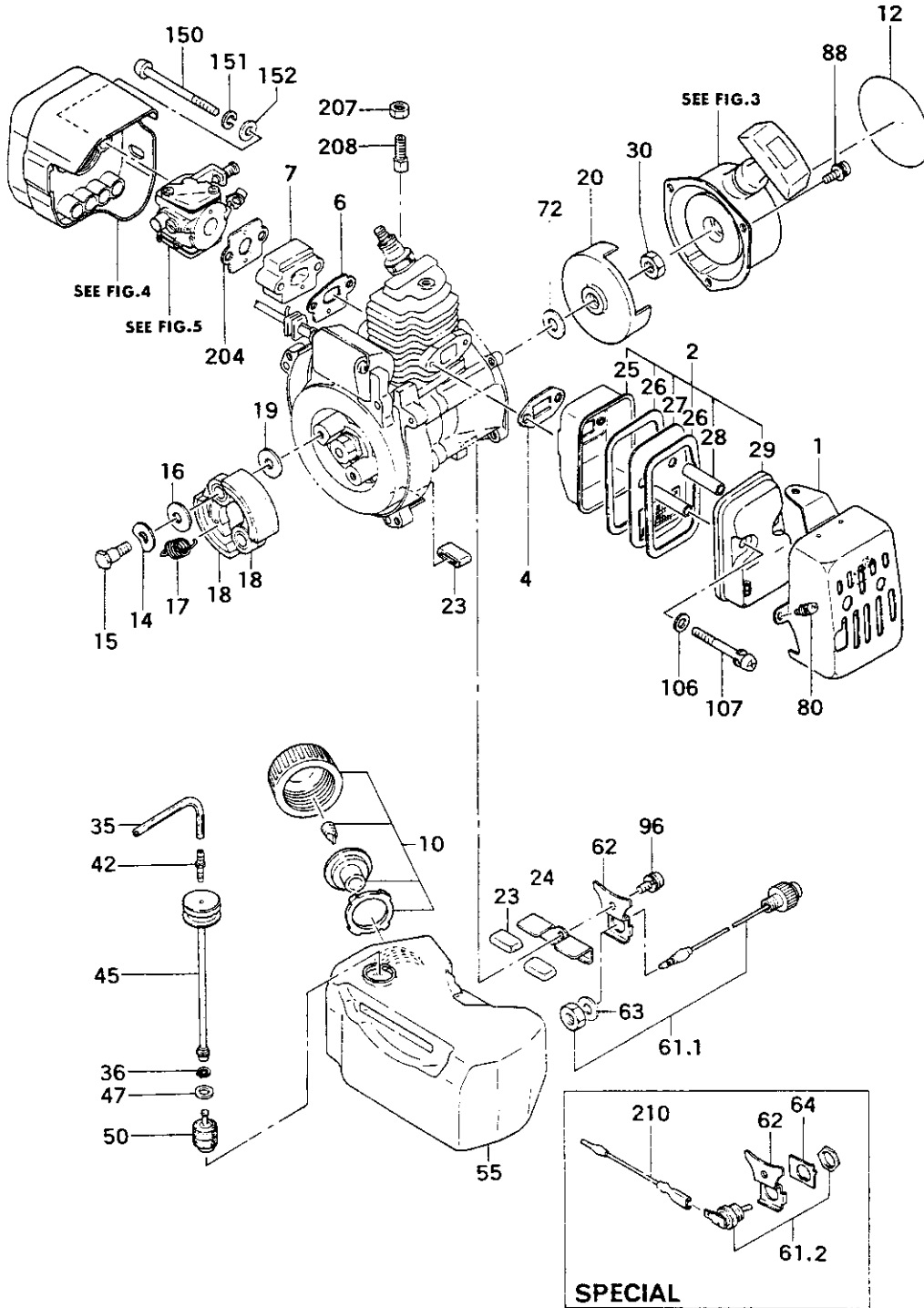


FIGURE 2

THT-162 PARTS LISTING

REF.	PART NO.	PART DESCRIPTION	Q	C	S	SERIAL NO.	REMARKS
1	738-0602W-802	PROTECTOR,MUFFLER	1		D		
2	706-0602W-910	MUFFLER,ASSY	1		D		
4	737-06100-21	GASKET,MUFFLER	1		B		
6	403-06020-200	GASKET,INLET MANIFOLD	1		D		
7	404-06020-201	INSULATOR,CARBURETOR	1		D	~B200532	
7	404-06020-202	INSULATOR,CARBURETOR	1		D	B200533~	
10	595-0650A-90	CAP,TANK	1		A		
14	992-05080-030	WASHER,8	2		C		
15	357-00601-200	BOLT,STEP,CLUTCH	2		C		
16	348-0602R-200	WASHER,CLUTCH A	2		B		
17	342-00501-204	SPRING,CLUTCH	1		C		
18	290-00501-802	SHOE,CLUTCH	2		A		
19	359-02103-200	WASHER,CLUTCH,B	2		B		
20	798-06094-200	PULLEY,STARTER	1		D		
23	655-06100-200	CUSHION,TANK	4		A		
24	653-06000-200	BRACKET,TANK	1		C		
25	716-0602B-200	BODY,MUFFLER,A	1		D		
26	739-0602B-200	GASKET,MUFFLER COUPLING	2		B		
27	722-0602B-800	PLATE,MUFFLER PARTITIVE	1		C		
28	740-0602B-201	COLLAR,MUFFLER	2		D		
29	717-0602W-200	BODY,MUFFLER,B	1		D		
30	991-16080-003	NUT,8/L.H	1		D		
35	700-03005-090	PIPE,FUEL,3X5X90	1		D		
36	680-04019-210	CLIP,7	1		B		
42	497-32350-200	JOINT,PIPE	1		C		
45	678-0602W-200	PIPE,RUBBER	1		C		
52	992-01050-011	WASHER,5	1		A		
50	675-04042-80	FILTER,FUEL	1		A		
55	591-0602W-200	TANK	1		D		
61	170-00750-801	BUTTON,STOP	1		D	~C074205	
61	162-01300-900	SWITCH,STOP	1		A	C074206~	
62	640-0602W-200	BRACKET,STOP BUTTON	1		D		
63	992-00080-011	WASHER,8	1		D		
64	317-33230-200	BRACKET,TOGGLE SWITCH	1		D		
72	359-10112-203	WASHER,CLUTCH B	1		A		
80	994-35040-101	SCREW,4X10/P.S	2		D		
88	994-36050-121	SCREW,5X12	3		D		
96	994-34050-121	SCREW,S,5X12	1		D		

* Indicates the part is included in a kit or assembly and is not available individually. Q=Quan. used C=Interchangeability S=Stocking code: A=Fast moving B=Med. fast C=Med. move D=Slow move E=N.L.A. F=Superseded or replaced by a new part

FIGURE 2 cont.

THT-162 PARTS LISTING

REF.	PART NO.	PART DESCRIPTION	Q	C	S	SERIAL NO	REMARKS
106	992-00050-011	WASHER,SMALL,5	2		C		
107	994-34050-421	SCREW,S,5X42	2		D		
150	990-11050-651	SCREW,5X65	2		A		
151	992-10050-012	WASHER,S,5	2		A		
152	992-01050-011	WASHER,5	2		A		
204	402-00601-20	GASKET,CARBURETOR	1		A		
207	991-01060-013	NUT,6	1		B		
208	894-01401-201	RECEIVER,OUTER	1		B		
210	178-0602W-800	CORD,STOP	1		D		

* Indicates the part is included in a kit or assembly and is not available individually. Q=Quan. used C=Interchangeability S=Stocking code: A=Fast moving B=Med. fast C=Med. move D=Slow move E=N.L.A. F=Superseded or replaced by a new part

FIG.3 RECOIL STARTER

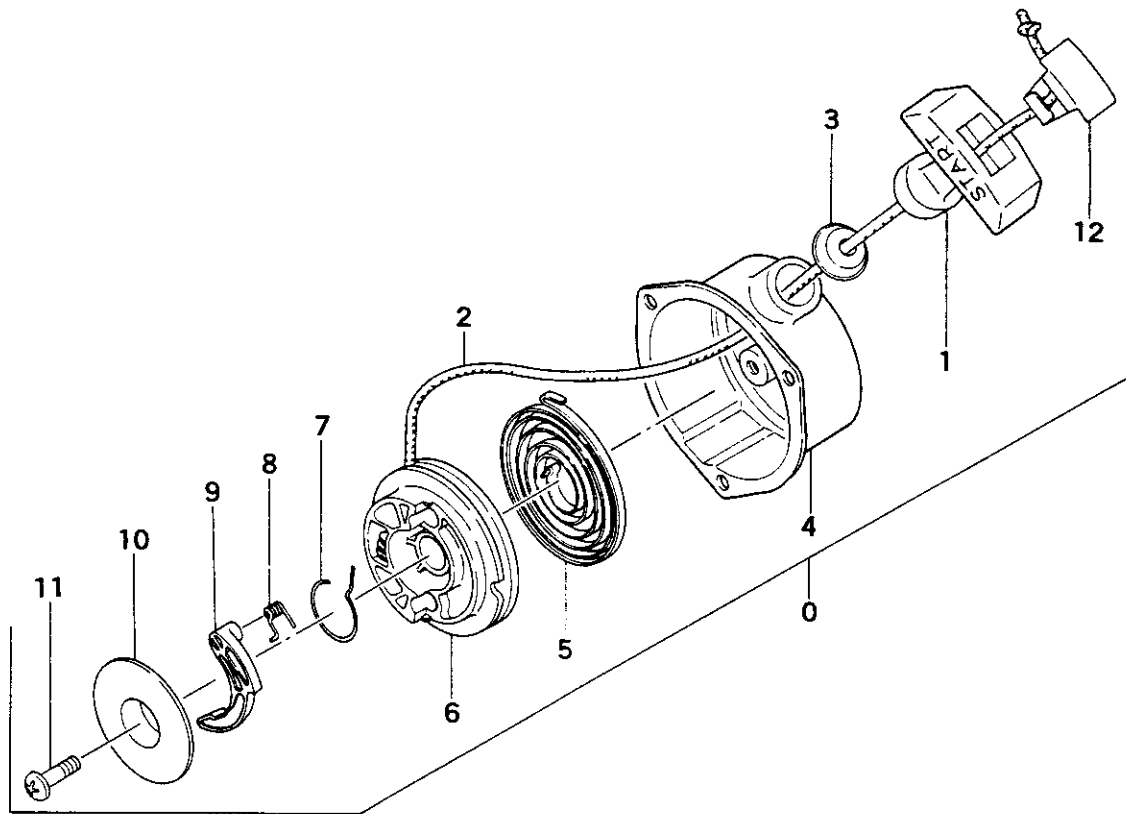


FIGURE 3

THT-162 PARTS LISTING

REF.	PART NO.	PART DESCRIPTION	Q	C	S	SERIAL NO.	REMARKS
0	762-0602K-901	STARTER,RECOIL ASS'Y	1		D		
1	785-06097-200	HANDLE,STARTER	1		C		
2	216093	ROPE,STARTER	1		D		
3	782-06097-200	RECEIVER,ROPE	1		D		
4	772-0601R-800	BODY,RECOIL STARTER	1		D		
5	779-01250-200	SPRING,RECOIL	1		B		
6	769-06092-200	PULLEY,STARTER	1		D		
7	836-06092-200	SPRING,FRICTION	1		D		
8	832-06092-200	SPRING,RETURN	1		D		
9	788-06092-200	PAWL,STARTER	1		D		
10	837-06092-200	PLATE,FRICTION	1		D		
11	990-15050-121	SCREW,5X12	1		A		
12	795-0602K-200	CAP,KNOB	1		D		

FIG.4 AIR CLEANER

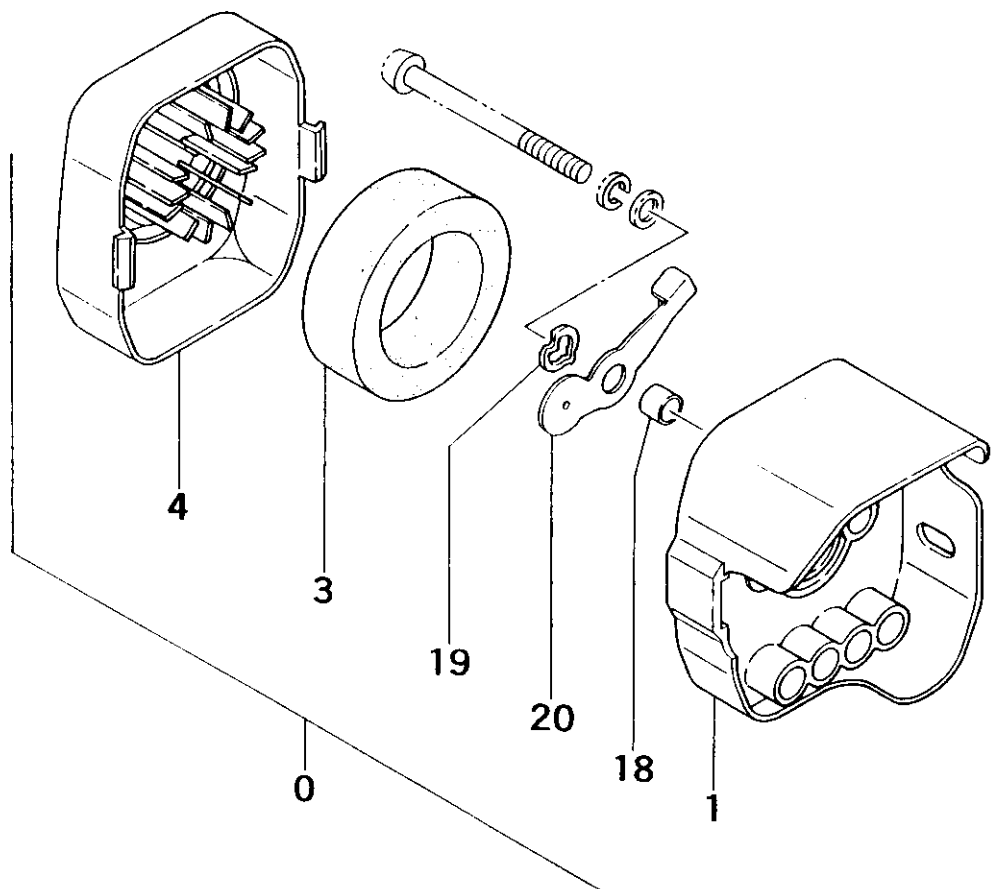


FIGURE 4

THT-162 PARTS LISTING

REF.	PART NO.	PART DESCRIPTION	Q	C	S	SERIAL NO	REMARKS
0	410-0602W-902	CLEANER,AIR ASS'Y	1		E		
1	423-0602W-205	BODY,CLEANER	1		D		
3	4460602W200	ELEMENT,CLEANER	1		A		
4	424-0137R-200	COVER,AIR CLEANER	1		B		
18	470-0602N-200	COLLAR,CLEANER	2		C		
19	99967007000	O-RING,P7	1		C	~C010264	
19	992-04080-030	WASHER,8	1		C	C010265~	
20	528-0602W-202	PLATE,CHOKE	1		D		

FIG.5 CARBURETOR

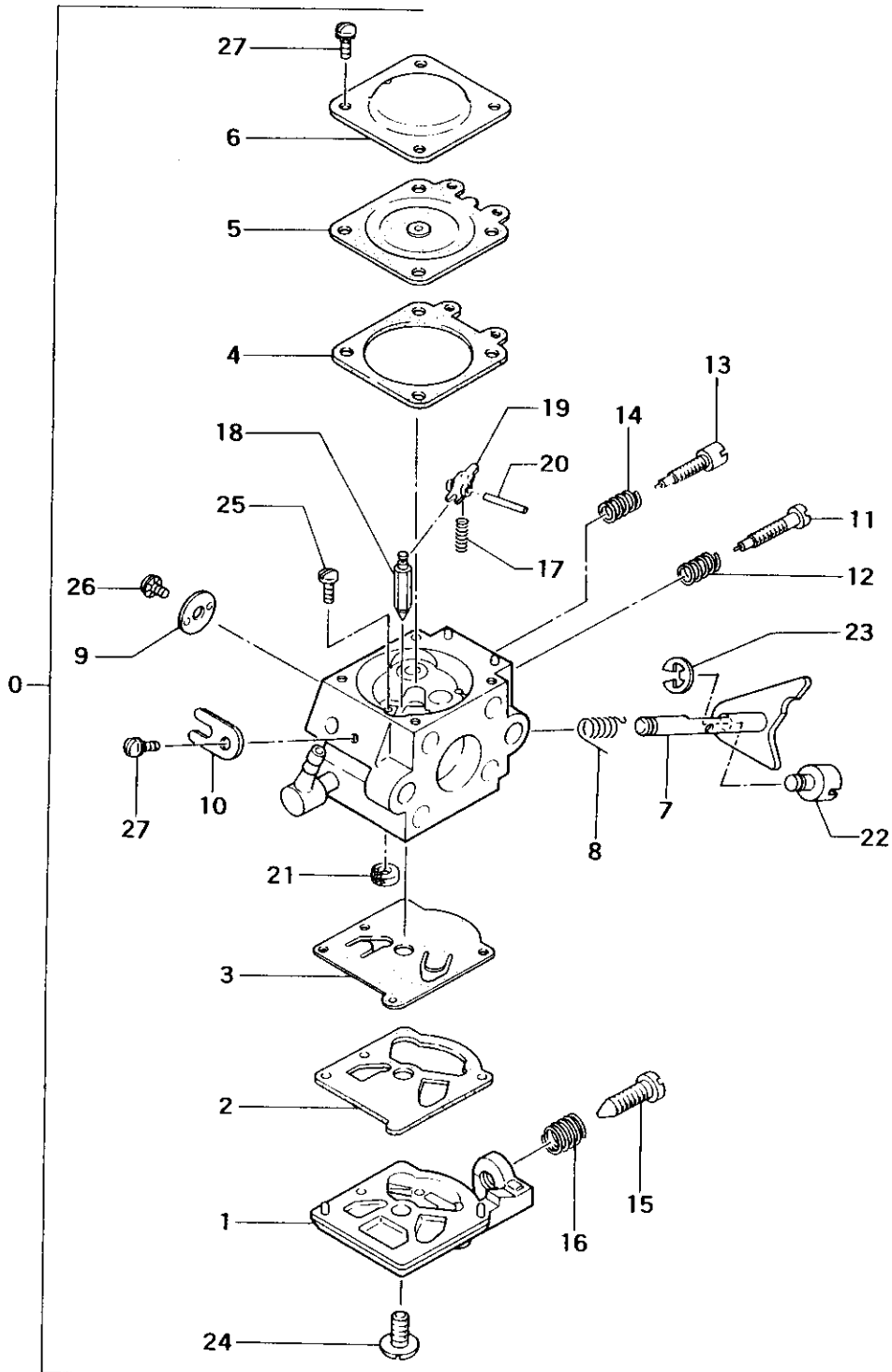


FIGURE 5

THT-162 PARTS LISTING

REF.	PART NO.	PART DESCRIPTION	Q	C	S	SERIAL NO.	REMARKS
0	455-25006-900	CARBURETOR,ASS'Y	1		D		
1	575-25006-200	BODY,PUMP	1		D		
2	----	(1)(2)GASKET,PUMP	1		D		
3	----	(1)(2)DIAPHRAGM,PUMP	1		C		(1) Carb. Repair Kit
4	----	(1)(2)GASKET,DIAPHRAGM	1		A		650-25001-910
5	----	(1)(2)DIAPHRAGM,METERING	1		A		(2) Carb. Gasket/Dia. Kit
6	476-25004-200	COVER,DIAPHRAGM	1		D		652-25001-910
7	464-25006-800	SHAFT,THROTTLE	1		D		
8	486-25009-200	SPRING,THROTTLE	1		C		
9	488-25006-200	VALVE,THROTTLE	1		D		
10	557-25006-200	CLIP,THROTTLE SHAFT	1		D		
11	460-25006-200	SCREW,HIGH ADJUST	1		D		
12	485-25003-200	SPRING,ADJUST,HIGH	1		D		
13	461-25006-200	SCREW,ADJUST,LOW	1		D		
14	623-25001-200	SPRING,ADJUST,LOW	1		D		
15	462-25006-200	SCREW,IDLE ADJUST	1		D		
16	463-25006-200	SPRING,IDLE ADJUST	1		D		
17	477-25003-200	SPRING,VALVE	1		D		
18	----	(1)VALVE,NEEDLE	1		C		
19	----	(1)HINGE,VALVE	1		C		
20	----	(1)PIN,FLOAT	1		D		
21	----	(1)SCREEN,INLET	1		C		
22	539-25008-200	SWIVEL	1		C		
23	489-25008-200	RING,STOP	1		C		
24	514-25001-200	SCREW,SET	1		D		
25	546-25001-200	SCREW,SET,HINGE PIN	1		D		
26	467-25003-200	SCREW,SHUTTER	1		C		
27	548-25012-200	SCREW,SET	5		D		

(1)(2) Indicates the part is included in a kit or assembly and is not available individually.
 Q=Quan. used C=Interchangeability S=Stocking code: A=Fast moving B=Med. fast C=Med. move
 D=Slow move E=N.L.A. F=Superseded or replaced by a new part

FIG.6 GEAR CASE & CUTTER

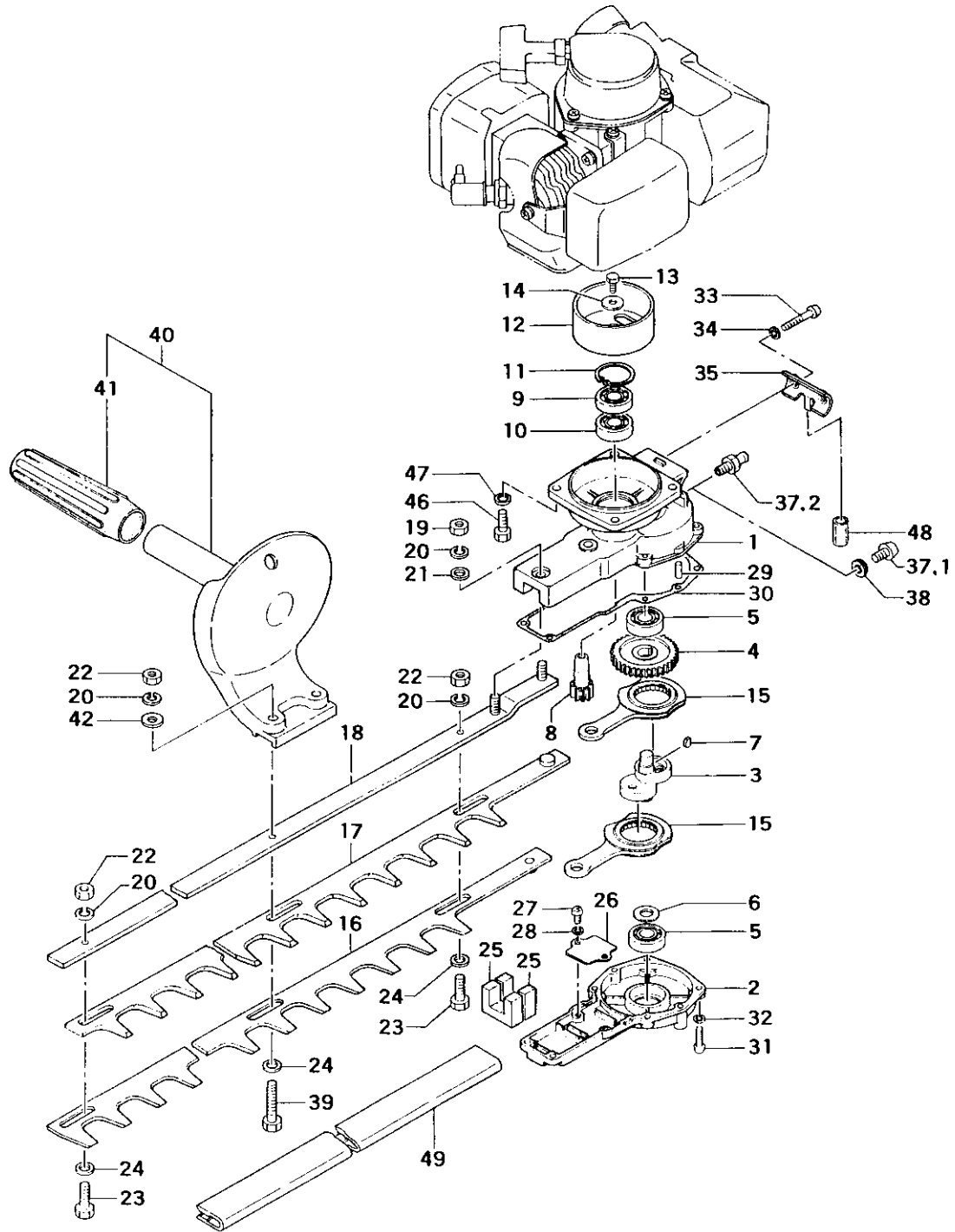


FIGURE 6

THT-162 PARTS LISTING

REF.	PART NO.	PART DESCRIPTION	Q	C	S	SERIAL NO.	REMARKS
1	300-33230-210	CASE,GEAR,A	1		D		
2	301-33230-200	CASE,GEAR B	1		C		
3	100-33210-203	BOSS,CAM	1		C		
4	307-33230-200	GEAR,#2	1		C		
5	999-61629-000	BEARING,BALL,#629	2		C		
6	015-35100-200	SHIM,9.3X18X.10	1		C		
6	016-35100-201	SHIM,9.3X18X.20	1		C		
6	022-35100-200	SHIM,9.3X18X.30	1		D		
7	068-00300-200	KEY,WOODRUFF,3X10X3.7	1		B		
8	306-33230-210	GEAR,#1	1		C		
9	999-61600-003	BEARING,BALL,#6000D	1		C		
10	999-61600-000	BEARING,BALL,#6000	1		C		
11	993-51026-002	RING,STOP,IN,C-26	1		D		
12	288-0602W-822	DRUM,CLUTCH	1		B		
13	990-21050-106	BOLT,HT,5X10	1		C		
14	368-32350-200	WASHER,BRAKE SHAFT	1		C		
15	101-33230-800	ROD,CAM	2		B		
16	CB-16A	BLADE,CUTTER	1		C		
17	CB-16B	BLADE,CUTTER	1		C		
18	122-33230-200	GUIDE,CUTTER	1		D		
22	123-33202-200	NUT,CUTTER FIXING	4		A		
23	124-33202-206	BOLT,BLADE,A	1		A		
24	129-33202-201	WASHER,7	4		A		
25	085-33230-200	SEAL,GREASE,A	2		C		
26	075-33230-200	PLATE,CAM ROD GUIDE	1		C		
27	990-11040-081	SCREW,4X8	2		C		
32	992-10040-012	WASHER,S,4	6		B		
29	999-05040-800	PIN,KNOCK,4X8	2		D		
30	303-33230-200	GASKET,GEARCASE	1		C		
31	990-11040-161	SCREW,4X16	6		A		
32	992-10040-012	WASHER,S,4	6		B		
33	990-11050-271	SCREW,5X27	2		C		
34	992-10050-012	WASHER,S,5	2		A		
35	057-33230-200	HOLDER,HANDLE	1		D		
37	990-11060-081	SCREW,6X8	1		D	~C179512	
37	200-33210-210	NIPPLE,GREASE	1		D	C179513~	
38	727-01040-201	GASKET,DRAIN	1		C	~C179512	
39	125-33202-205	BOLT,CUTTER FIXING B	1		B		

* Indicates the part is included in a kit or assembly and is not available individually. Q=Quan. used C=Interchangeability S=Stocking code: A=Fast moving B=Med. fast C=Med. move D=Slow move E=N.L.A. F=Superceded or replaced by a new part

FIGURE 6 cont.

THT-162 PARTS LISTING

REF.	PART NO.	PART DESCRIPTION	Q	C	S	SERIAL NO.	REMARKS
40	051-33210-82	HANDLE,B	1		C		
41	165-35100-202	GRIP,HANDLE	1		D		
42	992-01060-011	WASHER,6	1		A		
46	990-23060-161	BOLT,6X16 PLUS	4		C		
47	992-10060-012	WASHER,S,6	4		A		
48	700-05008-013	PIPE,FUEL,5X8X13	1		D		
49	138-33231-202	COVER,BLADE,25"	1		D		

* Indicates the part is included in a kit or assembly and is not available individually. Q=Quan. used C=Interchangeability S=Stocking code: A=Fast moving B=Med. fast C=Med. move D=Slow move E=N.L.A. F=Superseded or replaced by a new part

FIG.7 HANDLE

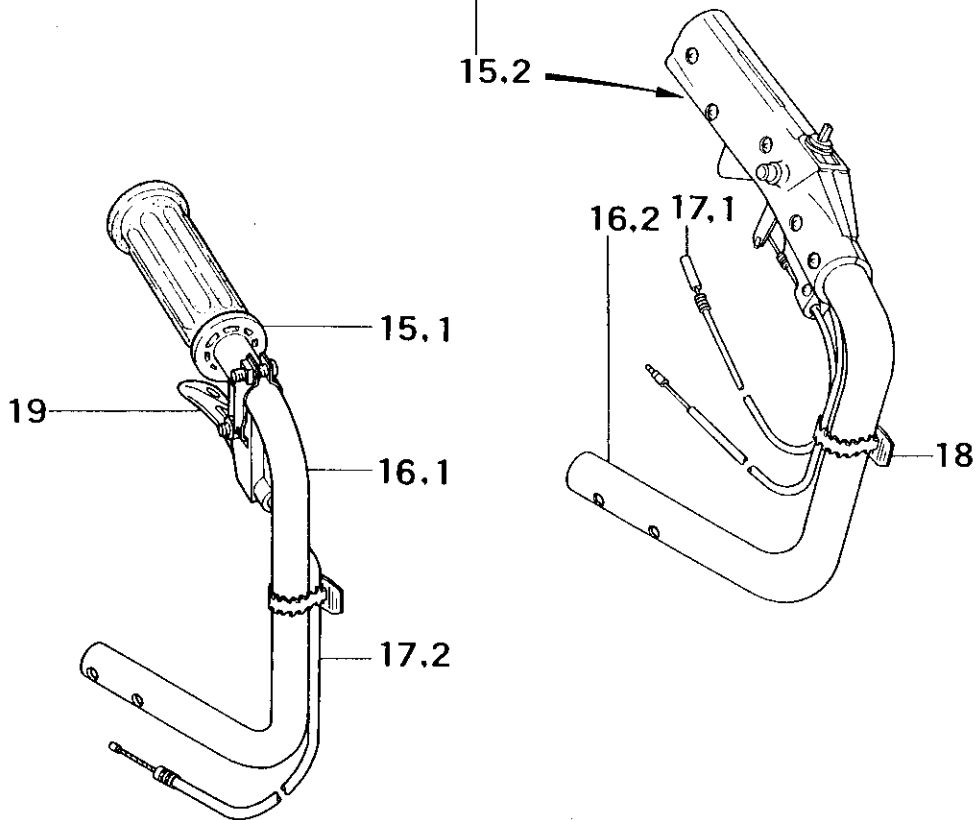
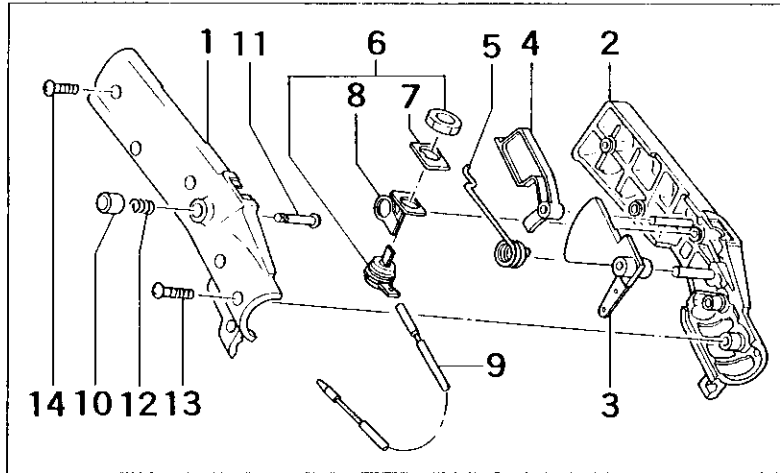


FIGURE 7

THT-162 PARTS LISTING

REF.	PART NO.	PART DESCRIPTION	Q	C	S	SERIAL NO.	REMARKS
1	053-33231-210	GRIP,HANDLE A	1		D	C179513~	
2	054-33231-210	GRIP,HANDLE B	1		D	C179513~	
3	230-33210-201	LEVER,THROTTLE	1		D	C179513~	
4	231-33210-200	LEVER,SAFETY	1		D	C179513~	
5	061-32600-201	SPRING,THROTTLE LEVER	1		D	C179513~	
6	162-01300-900	SWITCH,STOP	1		A	C179513~	
7	183-01300-200	SWITCH,NAME PLATE	1		D	C179513~	
8	319-43225-200	TERMINAL,EARTH	1		D	C179513~	
9	178-33231-800	CORD,STOP	1		D	C179513~	
10	725-32600-202	CAP,PUSH PIN	1		C	C179513~	
11	064-32530-200	PIN,PUSH	1		C	C179513~	
12	066-32300-201	SPRING,STOPPER	1		D	C179513~	
13	993-41040-251	SCREW,4X25	3		D	C179513~	
14	993-41040-151	SCREW,4X15	3		C	C179513~	
15-1	055-32130-200	GRIP,HANDLE	1		B	~C175512	
15-2	055-33250-903	GRIP,HANDLE ASS'Y	1		D	C179513~	
16-1	050-33230-200	HANDLE,A	1		D	~C179512	
16-2	050-33231-200	HANDLE,A	1		D	C179513~	
17-1	885-33225-800	WIRE,THROTTLE	1		C	C179513~	
17-2	885-0602W-801	WIRE,THROTTLE	1		D	~C179513	
18	903-32201-200	HOLDER,THROTTLE WIRE	1		D		
19	870-32130-900	LEVER,THROTTLE ASS'Y	1		D	~C179512	

* Indicates the part is included in a kit or assembly and is not available individually. Q=Quan. used C=Interchangeability S=Stocking code: A=Fast moving B=Med. fast C=Med. move D=Slow move E=N.L.A. F=Superseded or replaced by a new part

FIG.8 TOOLS

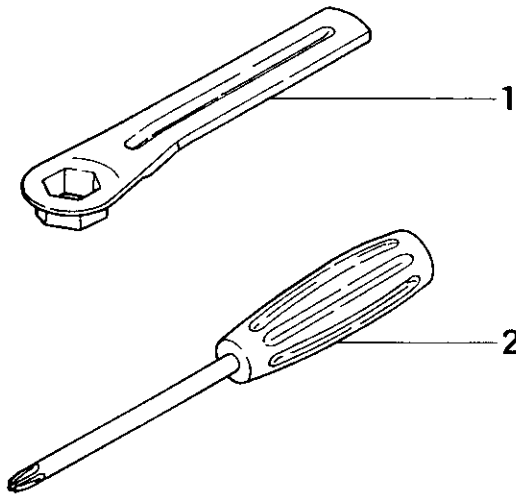


FIGURE 8

THT-162 PARTS LISTING

REF.	PART NO.	PART DESCRIPTION	Q	C	S	SERIAL NO.	REMARKS
1	851-20000-201	SPANNER, SPARK PLUG BOX	1		D		
2	862-20000-200	DRIVER, PLUS 4	1		D		