

***Tanaka***

**Parts Catalog**

**Hand Held Blower**

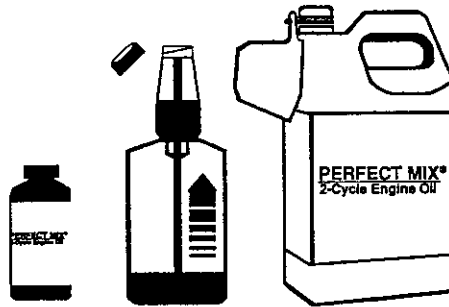
**Model: THB-2500**

Part # 27022 11-8-96

# THB-2500

## OPTIONS AND ACCESSORIES

### PERFECT MIX® 2-Cycle Engine Oil



- 700109 2.8 oz. Bottle, 1 Gallon Size (24\*)  
700108 16 oz. Self-measuring Bottle (24\*)  
700110 1 Gallon Jug Commercial Size (6\*)  
\* Case Quantity

---

### ACCESSORIES

034-31302-801 Shoulder Strap

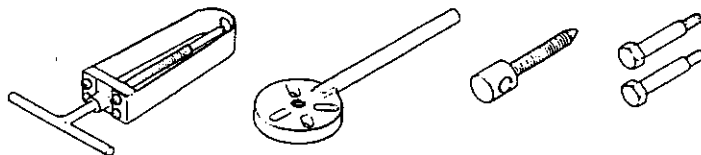
### MANUALS & CATALOGS

27045 Owner's Manual  
27022 Parts Catalog

---

### SPECIAL TOOLS

006-29326-000 Flywheel Remover      001-29000-000 Tachometer  
009-29323-500 Piston Pin Remover      070-2000W-500 Pressure Tester  
070-2000W-501 Carb. Tool Kit



# FIG.1 ENGINE

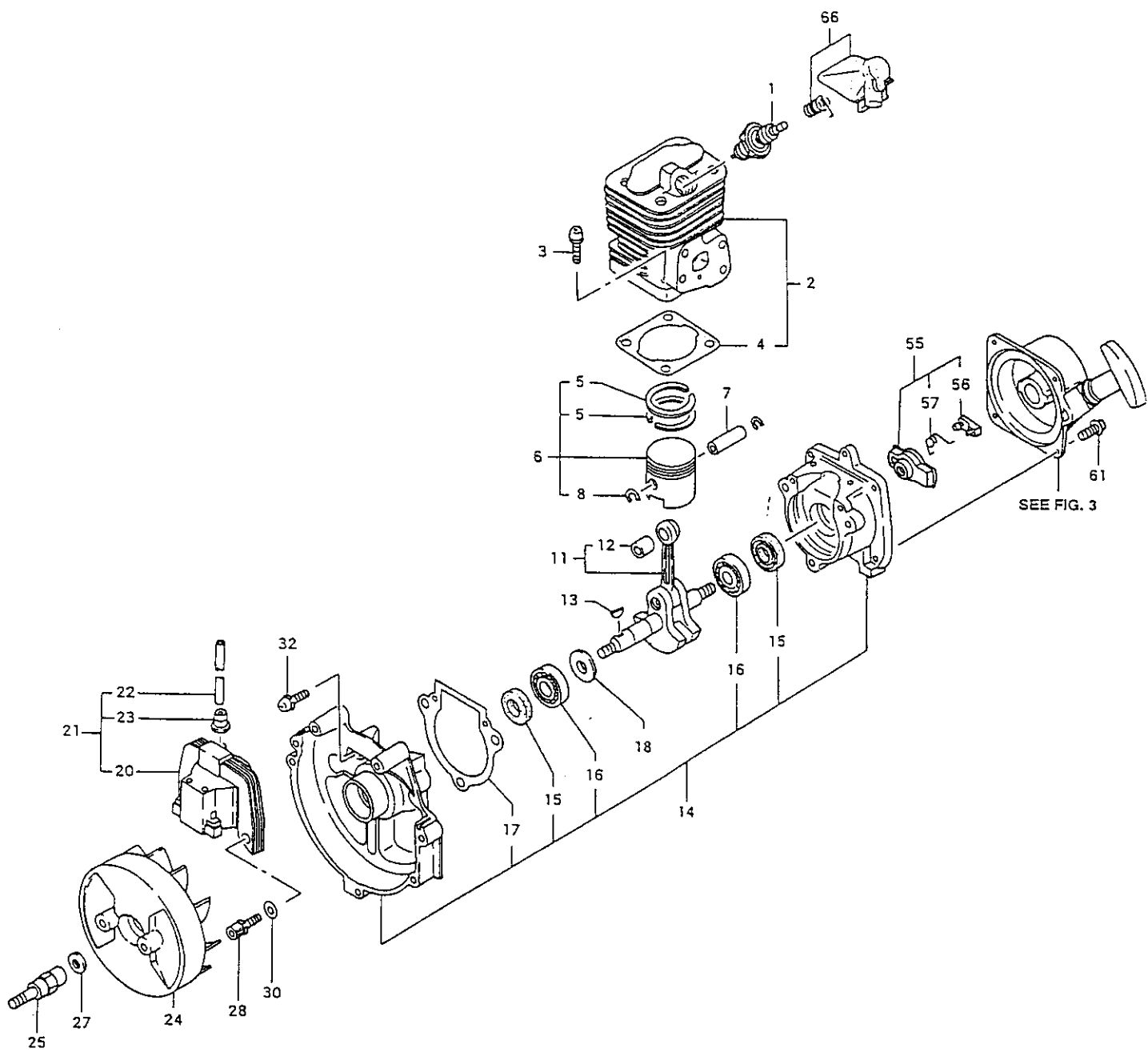


FIGURE 1

## THB-2500 PARTS LISTING

REF.	PART NO.	PART DESCRIPTION	Q	C	S	SERIAL NO.	REMARKS
1	018-11660-21	PLUG,SPARK	1		B		
2	001-0099F-90	SET,CYLINDER	1		C		
3	994-14050-181	SCREW,S,5X18	4		D		
4	017-00980-200	GASKET,CYLINDER	1		C		
5	041-01601-200	RING,PISTON	2		A		
6	030-0099F-90	SET,PISTON	1		C		
7	037-01601-200	PIN,PISTON	1		C		
8	039-01620-200	CIRCLIP,PISTON PIN	2		A		
11	046-06410-80	CRANKSHAFT	1		C		
12	999-62081-225	BEARING,NEEDLE,F-810	1		C		
13	068-10100-200	KEY,WOODRUFF,3X13X4.5	1		C		
14	072-06543-90	CASE,CRANK ASSY	1		C		Includes bearings, seals & gasket
15	999-66122-206	SEAL,OIL,#TC12227	2		C		
16	999-61600-100	BEARING,BALL,#6001	2		B		
17	090-06410-20	GASKET,CRANKCASE	1		B		
18	330-00200-210	SHIM,12.2X19X.10	V		D		Shims are "as needed" to obtain correct c/s side clearance.
18	330-00200-220	SHIM,12.2X19X.15	V		D		
18	330-00200-230	SHIM,12.2X19X.20	V		D		
18	330-00200-240	SHIM,12.2X19X.30	V		D		
20	167-20522-80	COIL,IGNITION	1		C		
21	167-20522-90	COIL,IGNITION ASSY	1		C		
22	264-20517-21	CORD,HIGH TENSION	1		C		
23	560-20517-200	CAP,RUBBER	1		C		
24	155-20517-81	ROTOR,MAGNETO	1		C		
25	025-31800-20	BOLT	1		B		
27	992-01080-011	WASHER,8	1		A		
28	994-61050-204	BOLT,HEX,HOLE,5X20,S	2		B		
30	992-00050-011	WASHER,SMALL,5	2		C		
32	994-61050-164	BOLT,HEX,5X16,S	3		C		
55	798-06520-90	PULLEY,STARTER ASSY	1		C		
56	788-06520-20	PAWL,STARTER	1		C		
57	790-06097-200	SPRING,STARTER PAWL	1		C		
61	994-15040-122	SCREW,4X12/PS	4		C		
66	157-0637P-91	CAP,SPARK PLUG ASSY	1		C		

\* Indicates the part is included in a kit or assembly and is not available individually. Q=Quan. used  
C=Interchangeability S=Stocking code: A=Fast moving B=Med. fast C=Med. move D=Slow move  
E=N.L.A. F=Superseded or replaced by a new part

# FIG.2 ENGINE COMPONENTS

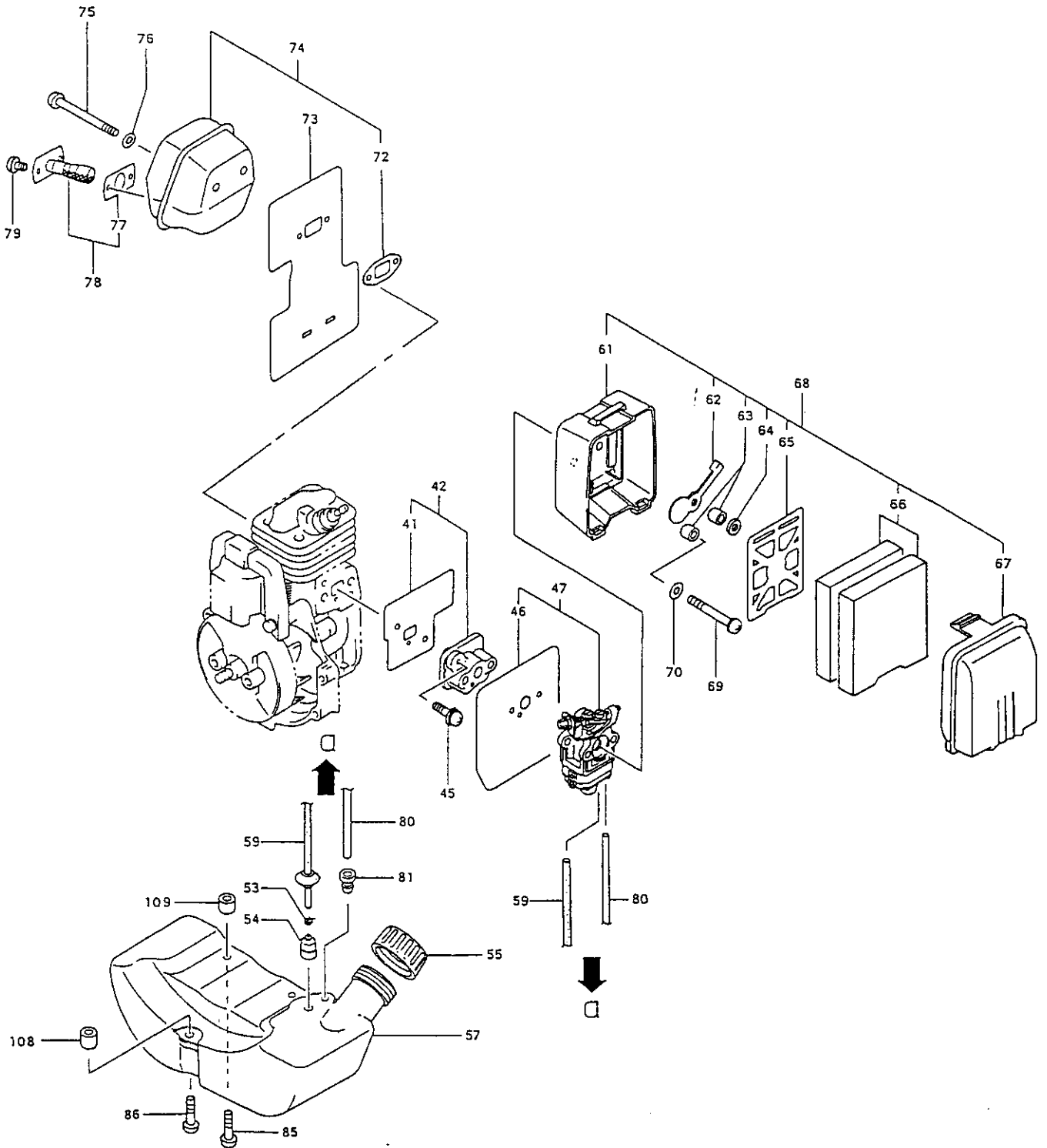


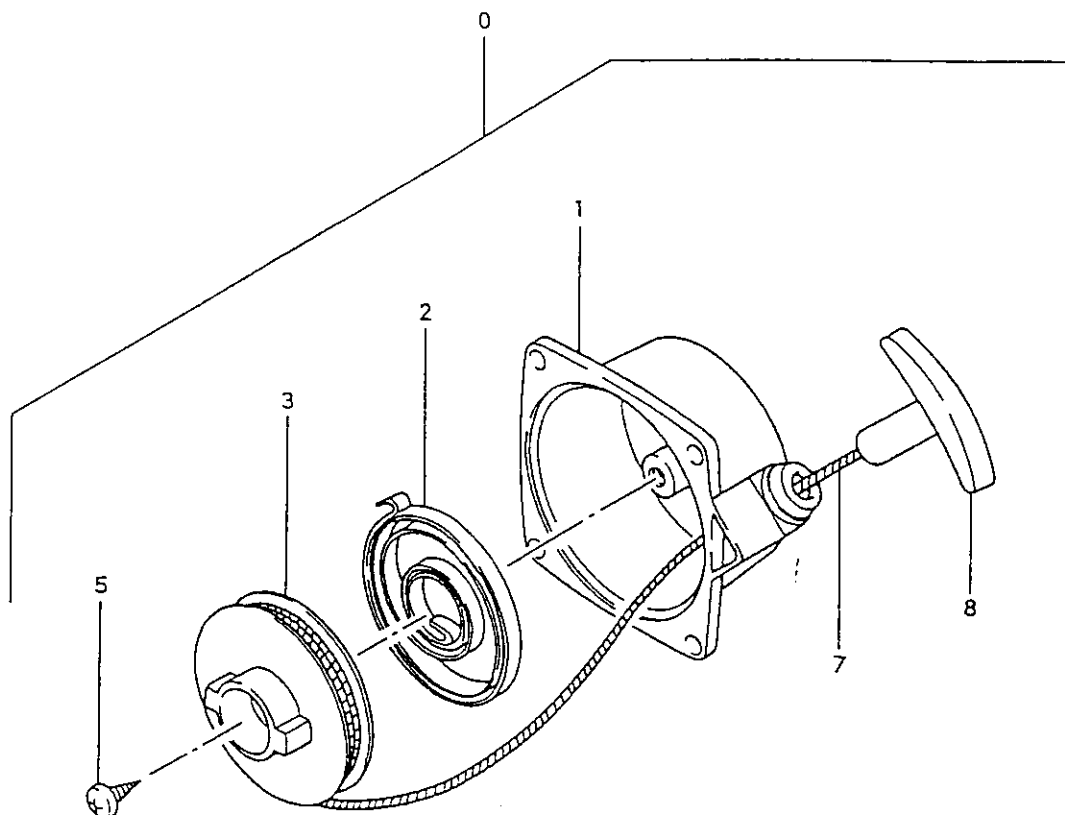
FIGURE 2

## THB-2500 PARTS LISTING

REF.	PART NO.	PART DESCRIPTION	Q	C	S	SERIAL NO	REMARKS
41	403-06590-20	GASKET,INLET MANIFOLD	1		C		
42	404-06590-90	INSULATOR SET, CARB	1		C		
45	994-16050-221	SCREW,5X22/WS	2		C		
46	402-06590-20	GASKET,CARBURETOR	1		C		
47	455-06590-90	CARBURETOR	1		C		
53	680-00731-201	CLIP 6.3	1		B		
54	675-04042-80	FILTER,FUEL	1		A		
55	595-0650A-90	CAP,TANK	1		A		
57	591-06590-20	TANK,FUEL	1		B		
59	223-0162V-900	PIPE,FUEL,ASS'Y	1		A		
61	423-04250-20	BODY,AIR CLEANER	1		C		
62	493-06590-20	CHOKE VALUE	1		C		
63	470-0602K-200	COLLAR	2		D		
64	453-0602K-200	COLLAR	1		C		
65	476-0634C-200	BOARD,BLOW OVER CHECK	1		D		
66	446-0634C-200	ELEMENT,CLEANER	2		C		
67	424-06590-20	CAP,AIR CLEANER	1		C		
68	410-06590-90	AIR CLEANER ASSY	1		C		
69	994-14050-571	SCREW,5X57,S	2		B		
70	992-00050-011	WASHER,SMALL,5	2		C		
72	737-07000-20	GASKET,MUFFLER	1		C		
73	133-06590-20	SHIELD,HEAT	1		C		
74	704-06590-90	MUFFLER	1		C		
75	990-51050-703	BOLT,HEX HOLD 5x70	2		C		
76	871-32600-200	WASHER,SPECIAL,B	2		D		
77	751-04200-201	GASKET,MUFFLER	1		C		
78	721-06590-90	PIPE,TAIL	1		C		
79	994-34040-081	SCREW,4X8/S	2		D		
80	700-03005-090	PIPE,FUEL,3X5X90	1		D		
81	534-32710-200	GROMMET, FUEL PIPE	1		C		
85	994-15040-142	SCREW,4X14/PS	2		C		
86	994-15050-182	SCREW,5X18/PS	1		C		
108	659-00801-200	COLLAR,TANK HOLDING METAL	1		C		
109	659-06410-20	COLLAR	1		C		

\* Indicates the part is included in a kit or assembly and is not available individually. Q=Quan. used  
C=Interchangeability S=Stocking code: A-Fast moving B=Med. fast C=Med. move D=Slow move  
E=N.L.A. F=Superseded or replaced by a new part

**FIG. 3 RECOIL STARTER**



**FIGURE 3**

**THB-2500 PARTS LISTING**

REF.	PART NO.	PART DESCRIPTION	Q	C	S	SERIAL NO	REMARKS
0	762-06410-90	BODY,STARTER RECOIL	1		C		
1	772-06097-80	BODY,RECOIL STARTER	1		C		
2	780-06097-200	SPRING,RECOIL	1		A		
3	774-06097-200	PULLEY,STARTER	1		B		
5	839-02010-20	SCREW,SET	1		C		
7	783-06097-200	ROPE,STARTER	1		C		
8	785-06410-200	HANDLE,STARTER	1		C		

FIG.4 CARBURETOR

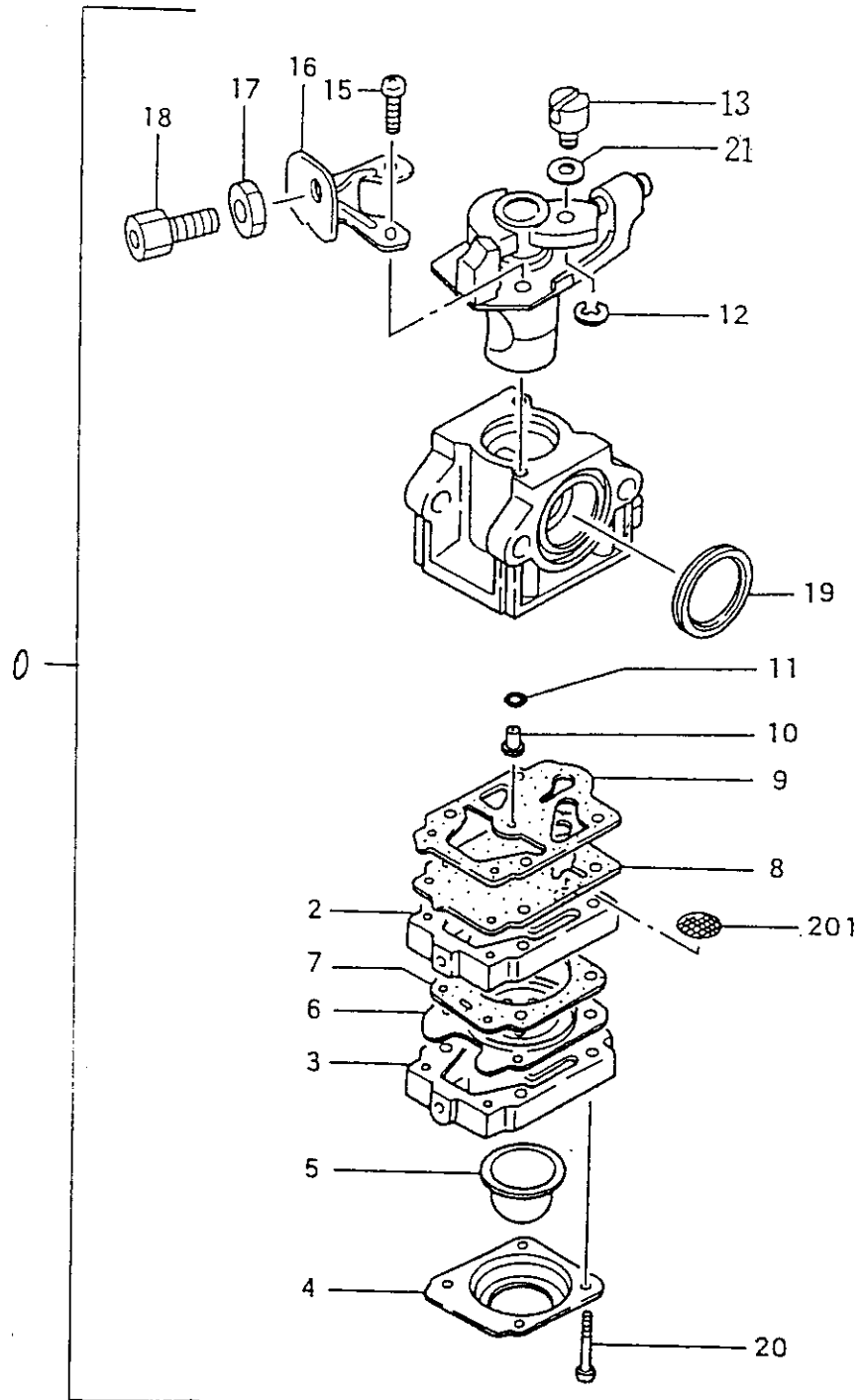




FIGURE 4

## THB-2500 PARTS LISTING

REF.	PART NO.	PART DESCRIPTION	Q	C	S	SERIAL NO	REMARKS
0	455-06590-90	CARBURETOR	1		C		
2	575-25153-80	BODY,PUMP	1		C		includes inlet needle
3	442-25151-80	PUMP,PRIMING	1		C		
4	476-25151-20	COVER,DIAPHRAGM	1		C		
5	447-25108-200	BULB,PRIMING	1		A		
6	----	*DIAPHRAGM,METERING	1		A		* Contained in Carb. Repair Kit 650-25124-900 (Not available individually)
7	----	*GASKET,DIAPHRAGM	1		C		
8	----	*DIAPHRAGM,PUMP	1		B		
9	----	*GASKET,PUMP	1		B		
10	599-2000W-38	JET,MAIN # 38	1		C		
11	----	*O-RING	1		C		
12	489-25100-200	RING,STOP	1		D		
13	539-25120-200	SWIVEL	1		D		
15	514-25100-200	SCREW,THROTTLE SET	2		D		
16	544-25164-200	STAY,ADJUST,CABLE	1		C		
17	991-01060-013	NUT,6	1		B		
18	614-25137-200	ADJUSTER,CABLE	1		D		
19	431-0634C-200	PACKING,CLEANER	1		C		
20	548-25151-20	SCREW,SET	4		C		
21	549-25165-20	WASHER,THRUST	1		D		
201	----	*SCREEN,INLET	1		C		

\* Indicates the part is included in a kit or assembly and is not available individually. Q=Quan. used  
C=Interchangeability S=Stocking code: A=Fast moving B=Med. fast C=Med. move D=Slow move  
E=N.L.A. F=Superseded or replaced by a new part

FIG.5 BLOWER

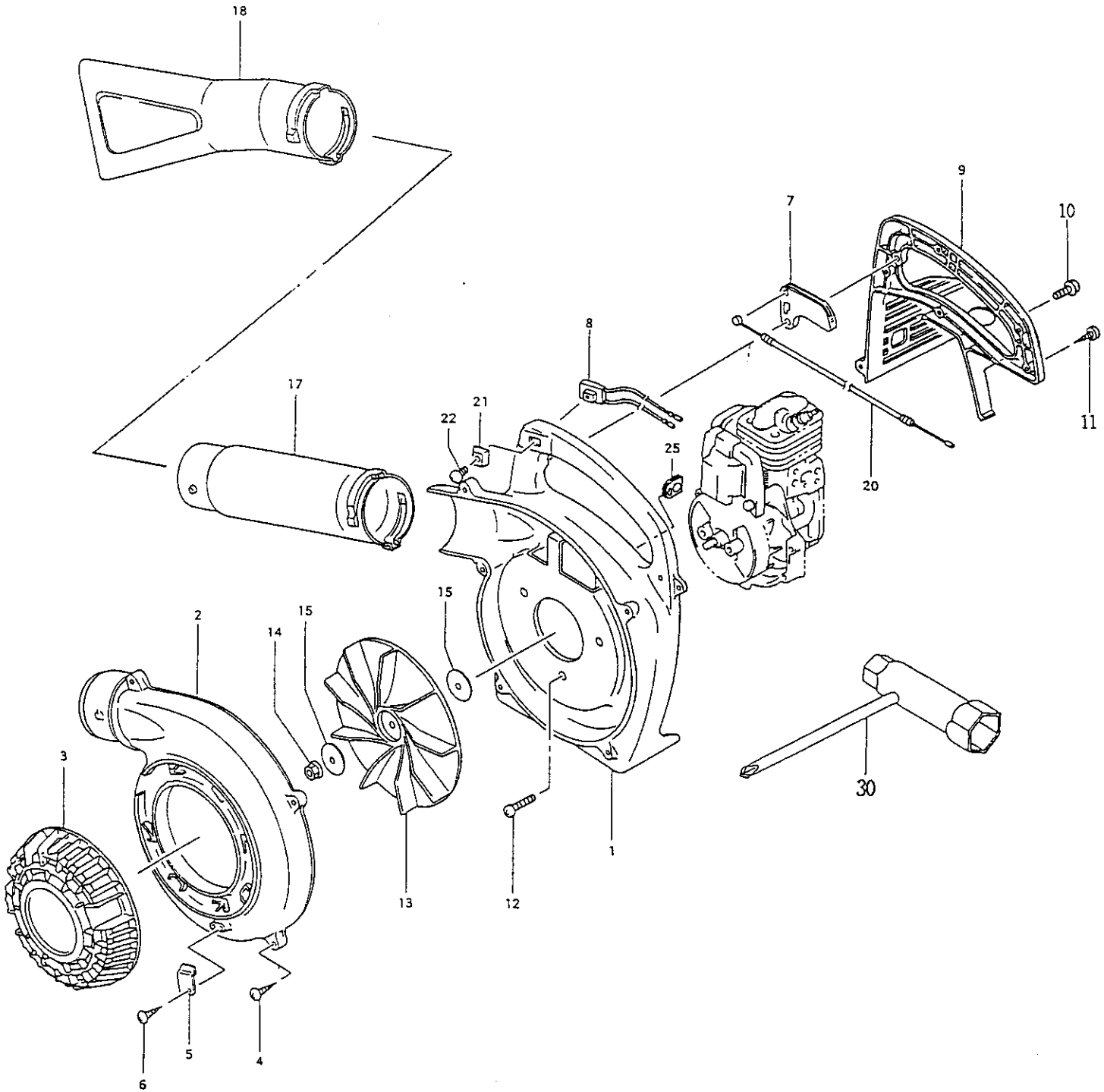


FIGURE 5

## THB-2500 PARTS LISTING

REF.	PART NO.	PART DESCRIPTION	Q	C	S	SERIAL NO	REMARKS
1	010-31800-80	CASE, FAN E	1		C		
2	052-31800-20	CASE,VOLUTE	1		C		
3	050-31800-20	COVER,DUST	1		C		
4	993-11050-205	SCREW,TAPPING	5		D		
5	422-31800-20	PLATE,HOLDER	1		C		
6	990-72050-144	SCREW,TAPPING,5X14	1		A		
7	013-31800-20	LEVER,THROTTLE	1		B		
8	170-31800-80	SWITCH,STOP ASSY	1		C		
9	738-31800-20	PROTECTOR,MUFFLER	1		C		
10	994-15040-182	SCREW,PS,4X18	1		C		
11	993-11050-205	SCREW,TAPPING	6		D		
12	994-14050-352	SCREW,5X35/S	3		C		
13	127-31800-20	FAN,IMPELLER	1		C		
14	991-84080-001	NUT,FLANGE	1		D		
15	027-31800-20	WASHER	2		B		
17	269-31800-20	PIPE,STRAIGHT	2		C		
18	273-31800-20	PIPE,FAN HEAD	1		C		
20	885-06590-80	WIRE,THROTTLE	1		C		
21	258-11650-20	BUTTON,STOP	1		C		
22	990-11030-101	SCREW,3X10	1		B		
25	203-06590-20	GROMMET	1		C		
30	829-20000-80	SPANNER,COMBI,13X19	1		C		

\* Indicates the part is included in a kit or assembly and is not available individually. Q=Quan. used  
C=Interchangeability S=Stocking code: A=Fast moving B=Med. fast C=Med. move D=Slow move  
E=N.L.A. F=Superceded or replaced by a new part

FIG. 6 MARKS



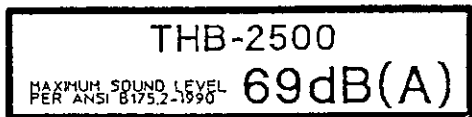
1



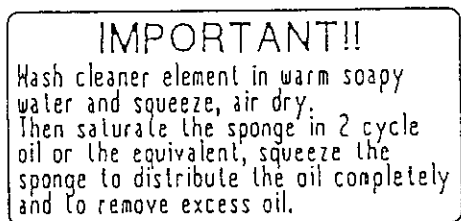
2



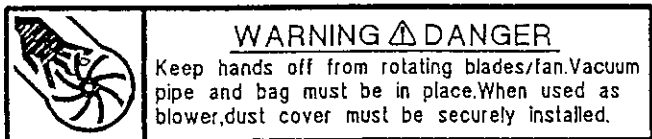
6



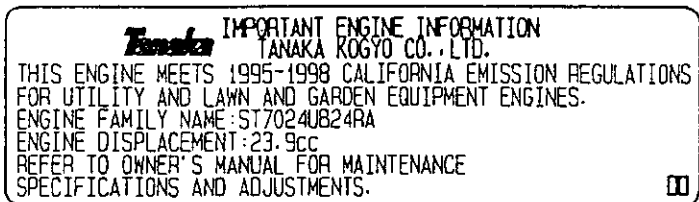
3



7



4



5

FIGURE 6

THB-2500 PARTS LISTING

REF.	PART NO.	PART DESCRIPTION	Q	C	S	SERIAL NO	REMARKS
1	950-37503-200	DECAL,PRO-FORCE A	1		D		
2	929-31800-20	DECAL	1		D		
3	911-31800-20	DECAL,DECIBEL	1		D		
4	921-31800-20	DECAL,CAUTION C	1		D		
5	919-31800-20	DECAL,CAUTION A	1		D		
6	920-32466-20	DECAL	1		D		
7	908-33160-20	DECAL,CAUTION	1		D		