

Tanaka

Parts Catalog

Blower / Vac

Model: THB-2100

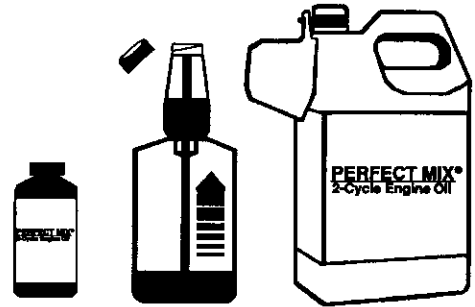
THB-2100

OPTIONS AND ACCESSORIES

MANUALS / CATALOGS

| | |
|---------------|----------------|
| 211672 | Owner's Manual |
| DPL-PE210-HST | Parts Catalog |

PERFECT MIX® 2-Cycle Engine Oil



700109 2.8 oz. Bottle, 1 Gallon Size (24*)
700108 16 oz. Self-measuring Bottle (24*)
700110 1 Gallon Jug Commercial Size (6*)
* Case Quantity

SPECIAL TOOLS

| | | | |
|---------------|---------------------|--------|----------------------|
| 215432 | Pressure Test Tool | 111124 | T-27 Torx Drive 3.5" |
| 217720 | Torx Drive Set | 323330 | Ignition Tester |
| 222785 | T-25 Torx Drive 3.5 | 91424 | Tachometer |
| 009-29323-500 | Piston Pin Remover | | |

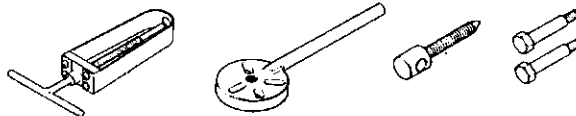


FIGURE 1

POWERHEAD ASSEMBLY

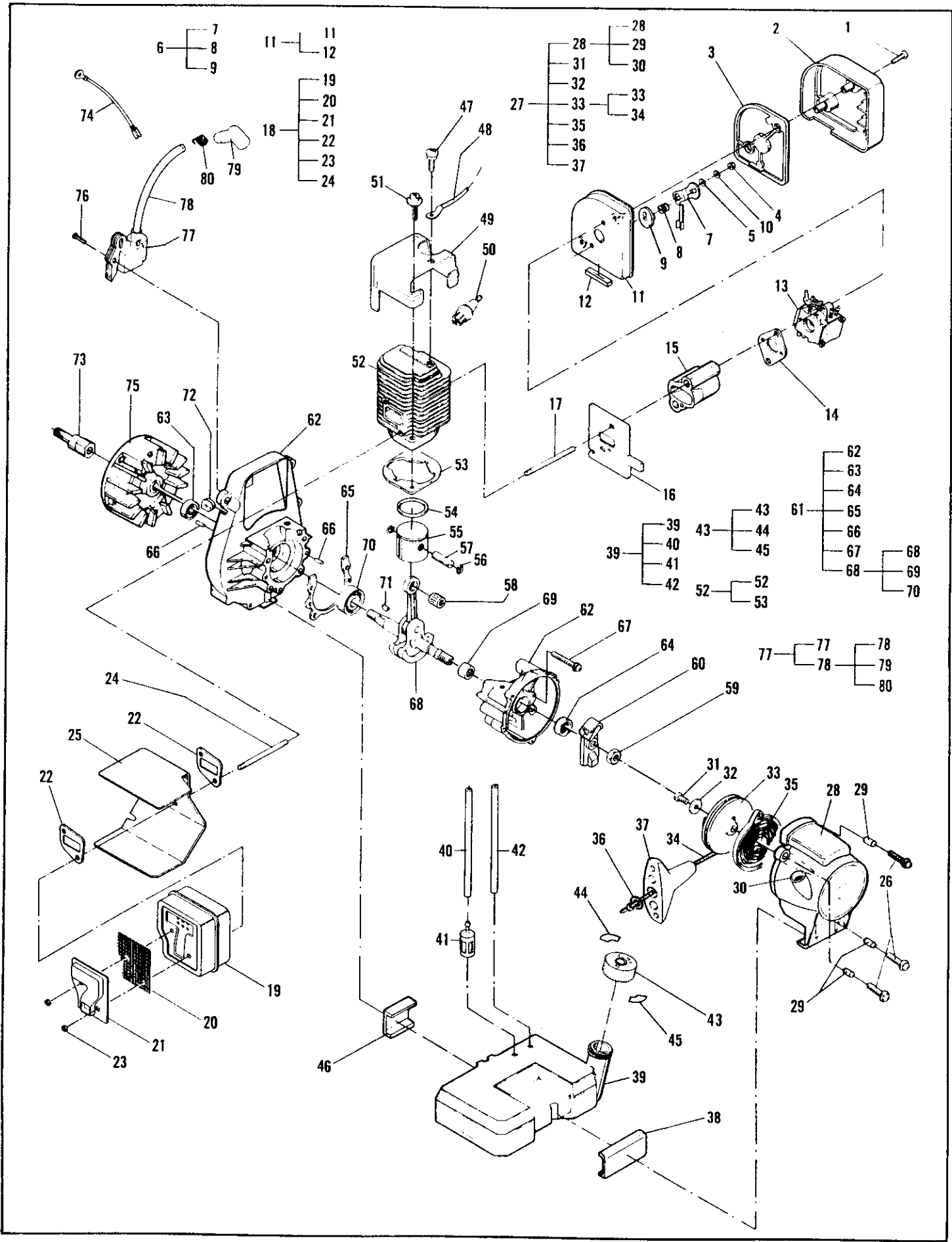


FIGURE 1

THB-2100 PARTS LISTING

| REF. | PART NO. | PART DESCRIPTION | Q | C | S | SERIAL NO. | REMARKS |
|------|-----------|-------------------------|---|---|---|------------|------------|
| 1 | 217669 | SCREW, M4X25 | 2 | | C | | |
| 2 | 215988 | COVER, AIR CLEANER | 1 | | D | | |
| 3 | 217376 | FILTER, AIR | 1 | | D | | |
| 4 | 216585 | NUT, LOCK | 2 | | C | | |
| 5 | 215993 | SPACER | 1 | | D | | |
| 6 | 223730 | KIT, CHOKE ASS'Y | 1 | | D | | |
| 7 | ~~~ | * SHUTTER, CHOKE LEVER | 1 | | | | |
| 8 | 219016 | SPRING, SHUTTER | 1 | | C | | |
| 9 | ~~~ | * PLATE, CHOKE SHUTTER | 1 | | | | |
| 10 | 216591 | WASHER | 1 | | C | | |
| 11 | 216108 | CLEANER, AIR | 1 | | D | | |
| 12 | 215992 | GROMMET | 1 | | D | | |
| 13 | 224143-01 | CARBURETOR, ASS'Y | 1 | | C | | SEE FIG. 4 |
| 14 | 224148 | GASKET, CARB. | 1 | | C | | |
| 15 | 223985 | INSULATOR, CARB. | 1 | | C | | |
| 16 | 224149 | SHIELD, INSULATOR | 1 | | C | | |
| 17 | 222481 | STUD | 2 | | C | | |
| 18 | 300631 | KIT, MUFFLER COMP. | 1 | | C | | |
| 19 | 300632 | BODY, MUFFLER | 1 | | C | | |
| 20 | 322018 | SCREEN, SPARK ARRESTOR | 1 | | C | | |
| 21 | 322019 | PLATE, DEFLECTOR | 1 | | C | | |
| 22 | 323829 | GASKET, MUFFLER | 2 | | C | | |
| 23 | 235642 | NUT | 2 | | C | | |
| 24 | 222480 | STUD, MUFFLER | 2 | | D | | |
| 25 | 218652-01 | SHIELD, MUFFLER | 1 | | C | | |
| 26 | 216022 | SCREW, M4X21.4 | 3 | | C | | |
| 27 | 301355 | STARTER, ASS'Y | 1 | | C | | |
| 28 | 301356 | HOUSING, STARTER | 1 | | C | | |
| 29 | 219585 | SPACER, STERTER HOUSING | 3 | | C | | |
| 30 | 218932 | GUIDE, ROPE | 1 | | C | | |
| 31 | 222800 | SCREW, M4X9.5 | 1 | | D | | |
| 32 | 216590 | WASHER, FLAT M4 | 1 | | C | | |
| 33 | 301252 | DRUM, ROPE ASS'Y | 1 | | C | | |
| 34 | 216093 | ROPE, STARTER | 1 | | D | | |
| 35 | 300474 | SPRING, STARTER | 1 | | C | | |
| 36 | 218941 | WASHER, NYLON | 1 | | D | | |
| 37 | 216792 | HANDLE, STARTER | 1 | | D | | |
| 38 | 217382 | CUSHION, TANK | 1 | | C | | |
| 39 | 219901 | TANK, FUEL | 1 | | C | | |
| 40 | 219899 | HOSE, FUEL INLET | 1 | | | | |
| 41 | 216985 | PICKUP, FUEL | 1 | | C | | |
| 42 | 219897 | HOSE, FUEL RETURN | 1 | | C | | |

* Indicates the part is included in a kit or assembly and is not available individually. Q=Quan. used C=Interchangeability S=Stocking code: A=Fast moving B=Med. fast move C=Med. move D=Slow move E=N.L.A. F=Superseded or replaced by a new part.

FIGURE 1 cont.

THB-2100 PARTS LISTING

| REF. | PART NO. | PART DESCRIPTION | Q | C | S | SERIAL NO. | REMARKS |
|------|----------|---------------------------|---|---|---|------------|---------|
| 43 | 301376 | KIT, FUEL CAP/DECAL | 1 | | A | | |
| 44 | 211242 | DECAL, "OPEN SLOWLY" | 1 | | D | | |
| 45 | 322250 | DECAL, FUEL CAP | 1 | | D | | |
| 46 | 217390 | CUSHION, TANK | 1 | | C | | |
| 47 | 213178 | SCREW, M5X8.5 | 1 | | D | | |
| 48 | 218649 | WIRE, GROUND | 1 | | D | | |
| 49 | 218586 | COVER, CYLINDER | 1 | | C | | |
| 50 | 62345 | PLUG, SPARK DJ8J | 1 | | C | | |
| 51 | 217320 | SCREW, M6X18 | 2 | | D | | |
| 52 | 224448 | KIT, CYLINDER/GASKET | 1 | | D | | |
| 53 | 223925 | GASKET, CYLINDER | 1 | | C | | |
| 54 | 223455 | RING, PISTON | 1 | | C | | |
| 55 | 224075 | PISTON | 1 | | D | | |
| 56 | 111026 | RING, SNAP | 2 | | D | | |
| 57 | 218275 | PIN, WRIST | 1 | | D | | |
| 58 | 110984 | BEARING, NEEDLE | 1 | | D | | |
| 59 | 216583 | NUT, HEX | 1 | | C | | |
| 60 | 225037 | PAWL, STARTER ASS'Y | 1 | | C | | |
| 61 | 301203 | KIT, C'CASE/C'SHAFT/C'ROD | 1 | | D | | |
| 62 | 301153 | CRANKCASE, ASS'Y | 1 | | C | | |
| 63 | 83859 | SEAL, OIL | 1 | | C | | |
| 64 | 216500 | SEAL, OIL | 1 | | C | | |
| 65 | 215545 | GASKET, CRANKCASE | 1 | | D | | |
| 66 | 213191 | PIN | 4 | | D | | |
| 67 | 216027 | SCREW, M5X28.5 | 4 | | C | | |
| 68 | 301273 | CRANFSHAFT, ASS'Y | 1 | | C | | |
| 69 | 213282 | BEARING, ROLLER | 1 | | C | | |
| 70 | 216143 | BEARING, BALL | 1 | | C | | |
| 71 | 102164 | KEY, FLYWHEEL | 1 | | C | | |
| 72 | 215541 | GROMMET | 1 | | D | | |
| 73 | 218654 | SHAFT, EXTENSION | 1 | | C | | |
| 74 | 219383 | WIRE, SWITCH ASS'Y | 1 | | C | | |
| 75 | 222308 | FLYWHEEL | 1 | | C | | |
| 76 | 216022 | SCREW, M4X21.4 | 2 | | C | | |
| 77 | 219848 | COIL, IGNITION | 1 | | C | | |
| 78 | 223884 | KIT, SPARK PLUG WIRE | 1 | | C | | |
| 79 | 95266 | BOOT, PLUG | 1 | | C | | |
| 80 | 102556 | CONNECTOR | 1 | | C | | |

* Indicates the part is included in a kit or assembly and is not available individually. Q=Quan. used C=Interchangeability S=Stocking code: A=Fast moving B=Med. fast move C=Med. move D=Slow move E=N.L.A. F=Superseded or replaced by a new part.

FIGURE 2

GENERAL ASSEMBLY

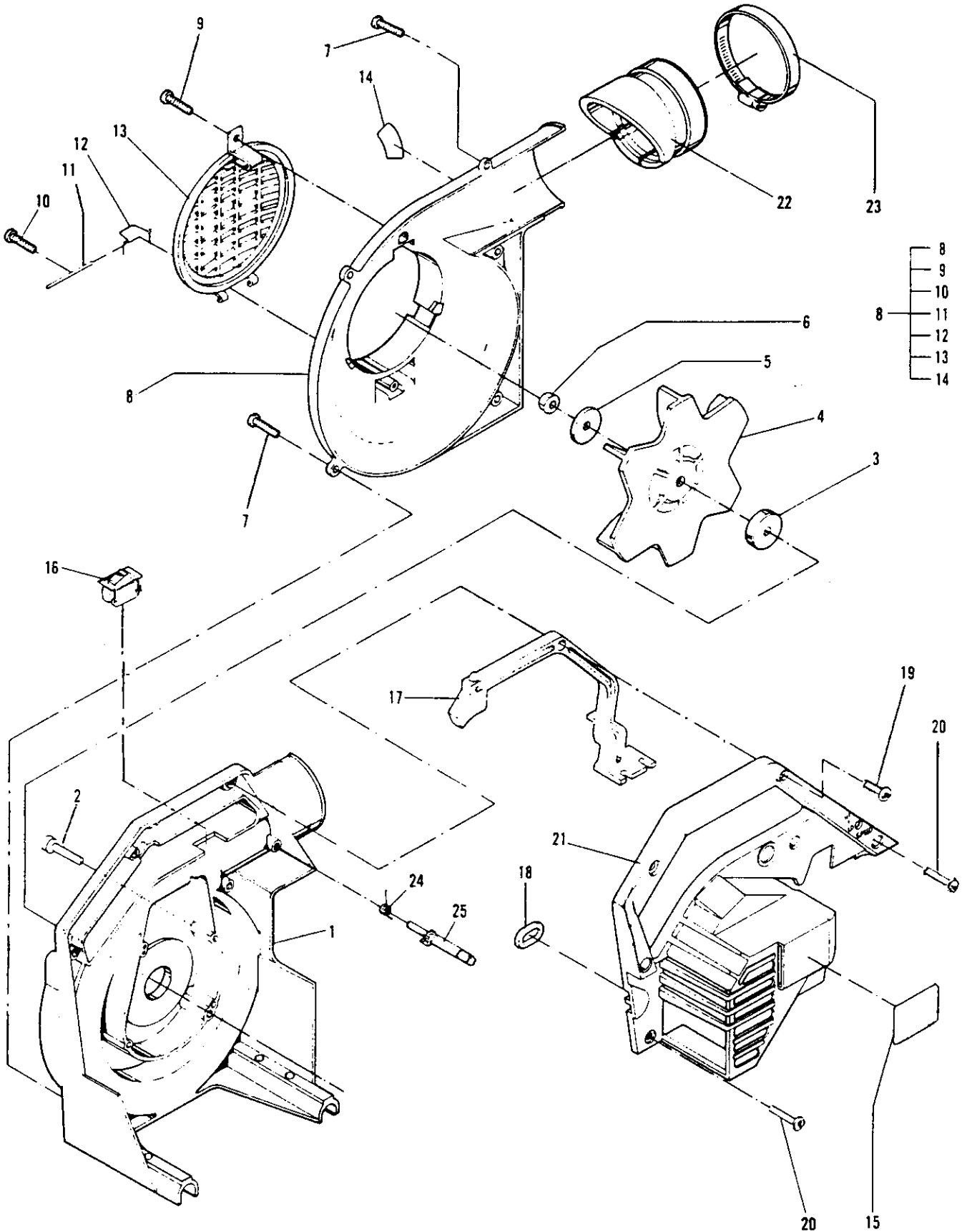


FIGURE 2

THB-2100 PARTS LISTING

| REF. | PART NO. | PART DESCRIPTION | Q | C | S | SERIAL NO. | REMARKS |
|------|----------|--------------------------|---|---|---|------------|---------|
| 1 | 322916 | HOUSING, INNER, IMPELLER | 1 | | C | | |
| 2 | 216022 | SCREW, M4X21.4 | 4 | | C | | |
| 3 | 218655 | DISC, DRIVE | 1 | | C | | |
| 4 | 218518 | IMPELLER | 1 | | C | | |
| 5 | 218656 | WASHER | 1 | | C | | |
| 6 | 213169 | NUT, M8 | 1 | | C | | |
| 7 | 218644 | SCREW | 5 | | C | | |
| 8 | 301358 | HOUSING, OUTER | 1 | | C | | |
| 9 | 216389 | SCREW | 1 | | C | | |
| 10 | 218643 | SCREW | 1 | | C | | |
| 11 | 218538 | PIN, COVER | 1 | | C | | |
| 12 | 218539 | SPRING, COVER | 1 | | C | | |
| 13 | 218939 | COVER, INLET | 1 | | C | | |
| 14 | 46704-56 | DECAL, WARNING | 1 | | D | | |
| 15 | 46704-55 | DECAL, WARNING | 1 | | D | | |
| 16 | 223241 | SWITCH, STOP | 1 | | C | | |
| 17 | 219189 | LEVER, THROTTLE | 1 | | C | | |
| 18 | 218667 | LINK, HARNESS | 2 | | C | | |
| 19 | 219954 | SCREW | 1 | | C | | |
| 20 | 218644 | SCREW | 5 | | C | | |
| 21 | 219946 | SHROUD, ENGINE | 1 | | C | | |
| 22 | 219174 | ADAPTER, TUBE | 1 | | C | | |
| 23 | 219172 | CLAMP, HOSE | 1 | | C | | |
| 24 | 219187 | SPRING, LOCK, THROTTLE | 1 | | C | | |
| 25 | 219188 | ACTIVATOR, THROTTLE LOCK | 1 | | C | | |

* Indicates the part is included in a kit or assembly and is not available individually. Q=Quan. used C=Interchangeability S=Stocking code: A=Fast moving B=Med. fast move C=Med. move D=Slow move E=N.L.A. F=Superseded or replaced by a new part.

ACCESSORIES

FIGURE 3

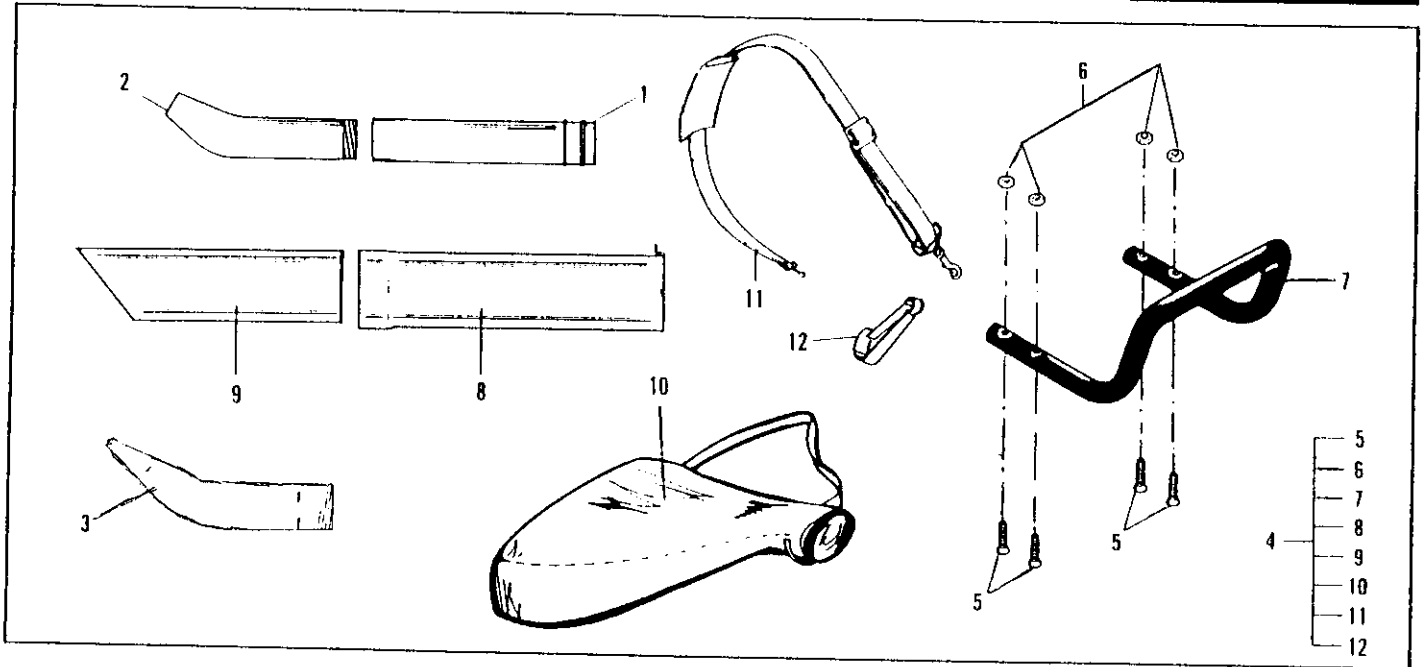


FIGURE 3

THB-2100 PARTS LISTING

| REF. | PART NO. | PART DESCRIPTION | Q | C | S | SERIAL NO. | REMARKS |
|------|-----------|------------------|---|---|---|------------|---------|
| 1 | 219173-01 | TUBE, BLOWER | 1 | | C | | |
| 2 | 219179 | NOZZLE, ROUND | 1 | | C | | |
| 3 | 218841 | NOZZLE | 1 | | C | | |
| 4 | 301400 | VAC KIT/THB-2100 | 1 | | C | | |
| 5 | 218947 | SCREW | 4 | | C | | |
| 6 | 213169 | NUT | 4 | | C | | |
| 7 | 223800 | FRAME, REAR | 1 | | C | | |
| 8 | 223798 | TUBE, SUCTION | 1 | | C | | |
| 9 | 223799 | TUBE, OUTER | 1 | | C | | |
| 10 | 323155 | BAG, ASS'Y | 1 | | C | | |
| 11 | 218666 | HARNESS | 1 | | C | | |
| 12 | 218938 | HOOK, SNAP | 1 | | C | | |

* Indicates the part is included in a kit or assembly and is not available individually. Q=Quan. used C=Interchangeability S=Stocking code: A=Fast moving B=Med. fast move C=Med. move D=Slow move E=N.L.A. F=Superseded or replaced by a new part.

FIGURE 4

CARBURETOR ASSEMBLY

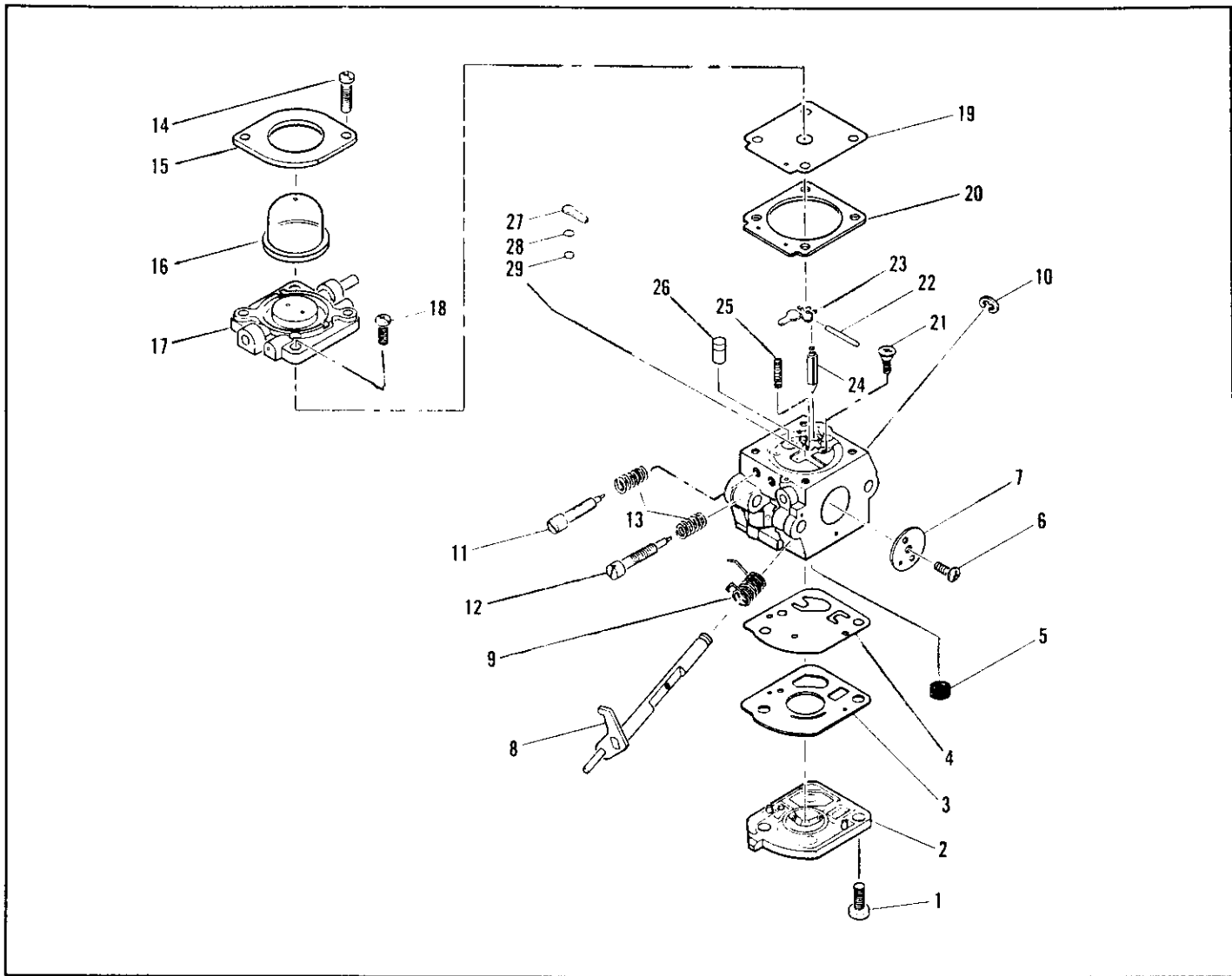


FIGURE 4

THB-2100 PARTS LISTING

| REF. | PART NO. | PART DESCRIPTION | Q | C | S | SERIAL NO. | REMARKS |
|------|-----------|--------------------------------|---|---|---|------------|--|
| ALL | 224143-01 | CARBURETOR, ASS'Y | 1 | | C | | |
| 1 | ~~~ | SCREW, PUMP COVER | 2 | | | | |
| 2 | ~~~ | COVER, PUMP | 1 | | | | |
| 3 | ~~~ | (1)(2) GASKET, PUMP | 1 | | | | (1) Carb. Repair Kit 300466 |
| 4 | ~~~ | (1)(2) DIAPHRAGM, PUMP | 1 | | | | |
| 5 | ~~~ | (1) STRAINER | 1 | | | | (2) Carb. Gasket/Diaphragm Kit 300472 |
| 6 | ~~~ | SCREW, THROTTLE VALVE | 1 | | | | |
| 7 | ~~~ | VALVE, THROTTLE | 1 | | | | |
| 8 | ~~~ | SHAFT ASS'Y, THROTTLE | 1 | | | | |
| 9 | ~~~ | SPRING, THROTTLE | 1 | | | | |
| 10 | ~~~ | "E" RING, THROTTLE | 1 | | | | |
| 11 | ~~~ | (1) SCREW, HIGH SPEED | 1 | | | | |
| 12 | ~~~ | (1) SCREW, LOW SPEED | 1 | | | | |
| 13 | ~~~ | SPRING, ADJUSTER SCREW | 2 | | | | |
| 14 | ~~~ | SCREW, METERING COVER | 2 | | | | |
| 15 | ~~~ | RETAINER, PRIMER | 1 | | | | |
| 16 | 223756 | BULB, PRIMER | 1 | | C | | |
| 17 | ~~~ | BASE ASS'Y, PRIMER | 1 | | | | |
| 18 | ~~~ | SCREW, BASE ASS'Y | 2 | | | | |
| 19 | ~~~ | (1)(2) DIAPHRAGM, ASS'Y, METER | 1 | | | | |
| 20 | ~~~ | (1)(2) GASKET, METER. CHAMBER | 1 | | | | |
| 21 | ~~~ | SCREW, PIN RETAINING | 1 | | | | |
| 22 | ~~~ | (1) PIN, METERING LEVER | 1 | | | | |
| 23 | ~~~ | (1) LEVER, METERING | 1 | | | | |
| 24 | ~~~ | (1) VALVE, INLET NEEDLE | 1 | | | | |
| 25 | ~~~ | (1) SPRING, METERING LEVER | 1 | | | | |
| 26 | ~~~ | (1) NOZZLE ASS'Y CK. VALVE | 1 | | | | |
| 27 | ~~~ | (1) PLUG, WELCH | 1 | | | | |
| 28 | ~~~ | RETAINER, CHECK VALVE | 1 | | | | |
| 29 | ~~~ | VALVE, CHECK | 1 | | | | |

(1) (2) Indicates the part is included in a kit or assembly and is not available individually. Q=Quan. used
 C=Interchangeability S=Stocking code: A=Fast moving B=Med. fast move C=Med. move D=slow move E=N.L.A.
 F=Superceded or replaced by a new part.