

Tanaka

Parts Catalog

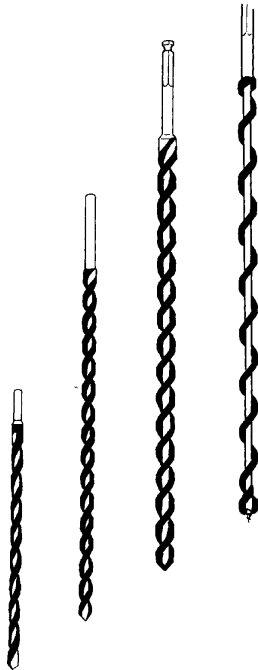


Engine Drill

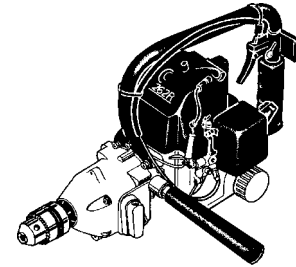
Model: TED-232

Units Prior To Serial No. K 164845

CARBIDE TIP DRILL BITS



- **Long Lasting and Dependable**
Can be resharpened or completely rebuilt if necessary.
- **High Quality Carbide Compound**
For superior strength and durability.
- **Rapid Chip Evacuation**
Special fluting provides a large chip storage area and prevents clogging.
- **Carbide Tipped**
Will outlast and outperform normal wood-boring bits.



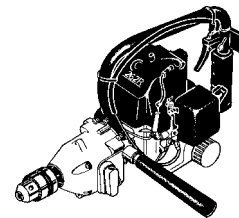
** Ideal for use in
Tanaka Drills*

Drill Bit Description	Diameter	Length	Part #
Pole For treated wood used on poles, fencing, and beams.	9/16"	12"	745102
	11/16"	16"	745103
	13/16"	22"	745104
Wood For treated wood containing nails, staples, or other metal materials.	9/16"	12"	745105
	11/16"	16"	745106
	13/16"	22"	745107
Railroad For general purpose wood boring for landscaping.	9/16"	12"	745108
	3/4"	12"	745109
	5/8"	18"	745110
Masonry For concrete, brick, stucco, and other stone materials.	1/4"	12"	745111
	3/8"	12"	745112
	1/2"	12"	745113

BULB / PLANT AUGER BITS



- **Speeds up Planting by 500 Percent**
- **Can be Used for Many Purposes.**
- **Leave Dirt in a Loose, Easy to Pack Condition.**
- **Drill Holes in all Types of Soil.**

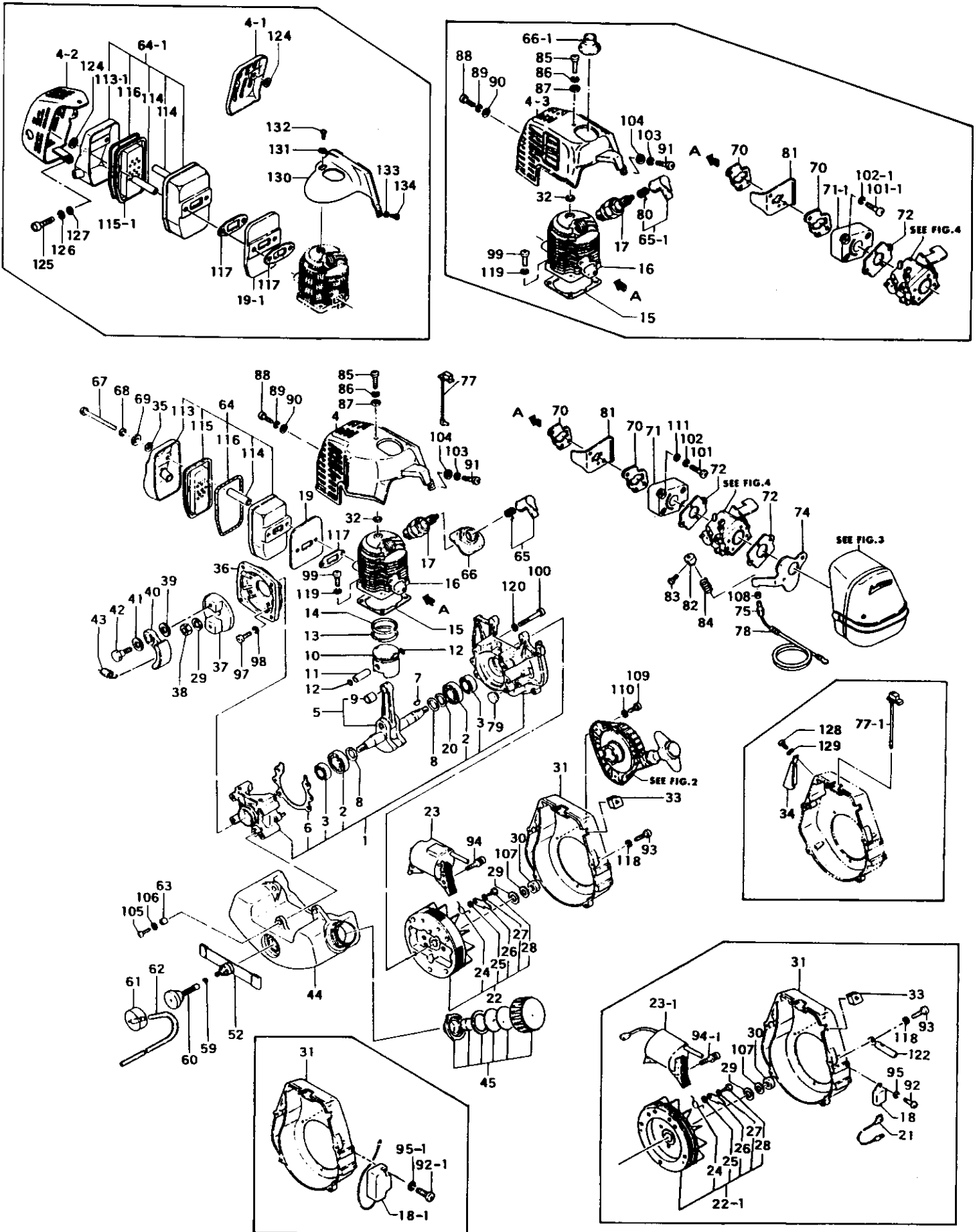


** Ideal for use in
Tanaka Drills*

Item No.	Diameter	Length
745201	3"	7"
745202	3"	12"
745203	3"	24"

All data and specifications are subject to change without notice.

FIG. 1 ENGINE



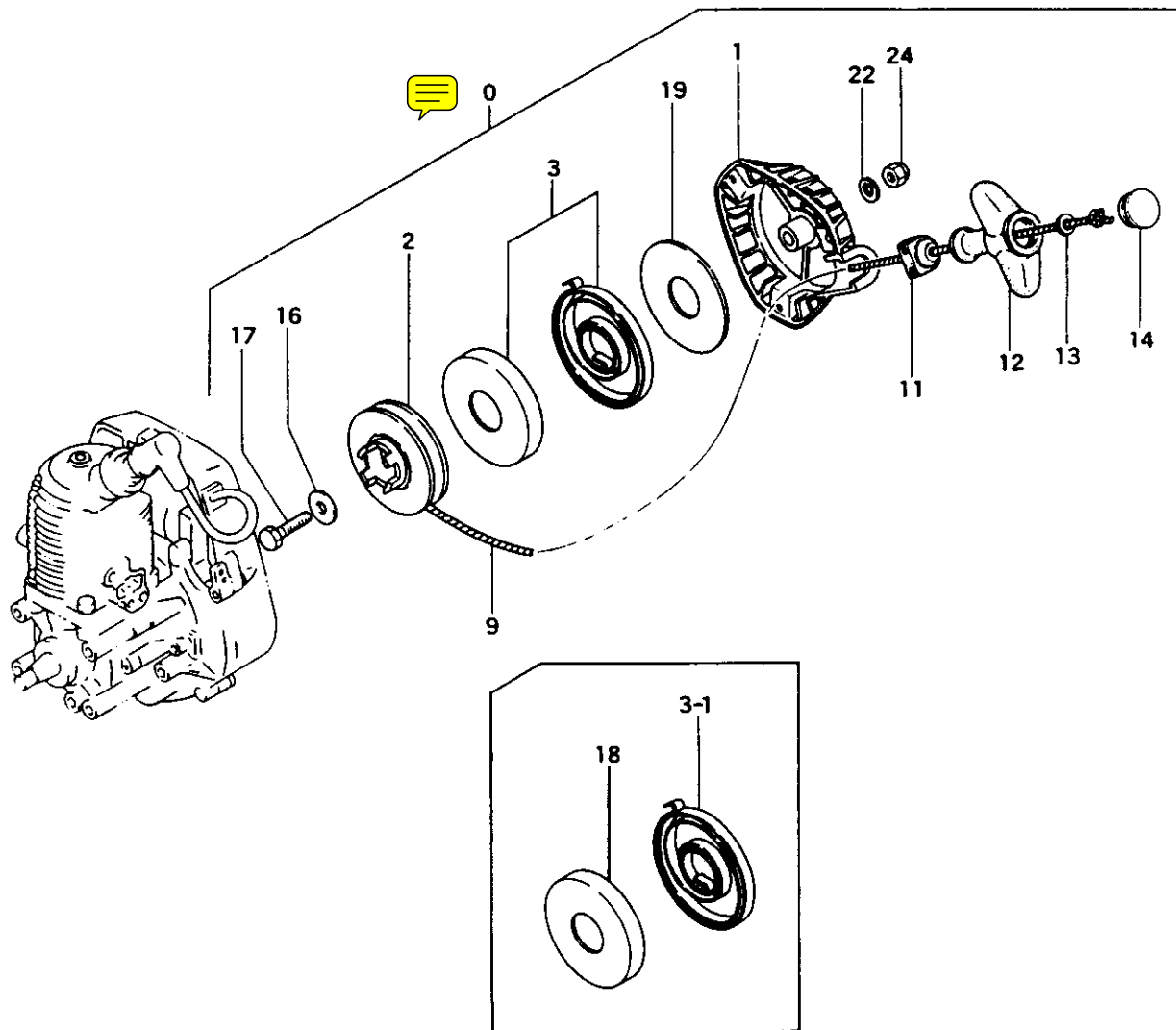
REF. NBR	PART NBR	PART NAME	QTY	SERIAL NBR	REMARKS
1-001	072-00730-900	CRANK CASE ASS'Y	1		
1-002	999-61800-100	BALL BEARING #6001, 28MM/OD	2		
1-003	999-86122-266	OIL SEAL 12227	2		
1-004,1	738-0062V-201	MUFFLER PROTECTOR	1	-B226783	
1-004,2	738-00763-200	MUFFLER PROTECTOR	1	N -C151400	
1-004,3	738-0072V-200	MUFFLER PROTECTOR	1	N -E120423	
1-004,3	738-0072V-200	MUFFLER PROTECTOR	1	R -E120423	
1-004	738-0072V-210	MUFFLER PROTECTOR	1	R -F187720	
1-004	738-0072V-211	MUFFLER PROTECTOR	1	F187721-	
1-005	046-00700-803	CRANK SHAFT COMP.	1		
1-006	090-00601-205	CRANK CASE GASKET	1	I -K163845	
1-006	090-00601-206	CRANK CASE GASKET	1	K163846-	
1-007	068-10100-200	WOOD-RUFF KEY 3X13X4.5	1		
1-008	070-00601-201	CRANK SHAFT WASHER 12.2X18	2		
1-009	999-62081-225	NEEDLE BEARING F-810	1		
1-010	031-00601-202	PISTON	1		
1-011	037-00601-200	PISTON PIN	1		
1-012	039-00601-200	PISTON PIN CIRCLIP	2		
1-013	041-00601-200	PISTON RING	1		
1-014	040-00601-200	PISTON RING/TOP	1		
1-015	017-00601-203	CYLINDER GASKET	1		
1-016	002-0062T-800	CYLINDER COMP.	1		
1-017	018-00502-200	SPARK PLUG BM6A	1	-F172000	
1-017	018-01805-200	SPARK PLUG CJ8	1	P F172001-	
1-018,1	159-21406-870	IGNITER TTI-1E	1	R -C059929	
1-018,1	159-21401-871	IGNITOR COMP. TTI-1E	1	-E059970	
1-018	159-21401-872	IGNITOR COMP. TTI-1F	1	N -F187720	
1-018	159-21401-872	IGNITOR COMP. TTI-1F	1	D F187721-	
1-019,1	133-00741-200	HEAT SHIELD	1	-C151400	
1-019	737-00741-200	MUFFLER GASKET	1	N C151401-	
1-020	330-00200-210	GEAR SHAFT SHIM 0.10	V		
1-020	330-00200-220	GEAR SHAFT SHIM 0.15	V		
1-020	330-00200-230	GEAR SHAFT SHIM 0.20	V		
1-020	330-00200-240	GEAR SHAFT SHIM 0.30	V		
1-021	173-0162R-800	IGNITOR LEAD WIRE COMP., R85M	1	D F187721-	
1-022,1	155-20712-900	MAGNETO ROTOR ASS'Y	1	-C151400	
1-022	155-21700-900	MAGNETO ROTOR ASS'Y	1	N C151401-	
1-023,1	167-20763-800	IGNITION COIL COMP.	1	-F187720	
1-023	167-21852-800	IGNITION COIL COMP.	1	N -H118649	
1-023	167-21852-800	IGNITION COIL COMP.	1	R -H118649	
1-023	167-21952-800	IGNITION COIL COMP.	1	H118650-	
1-024	790-00601-203	STARTER PAWL SPRING	2		
1-025	786-00601-200	STARTER PAWL WASHER	2		
1-026	788-00601-203	STARTER PAWL	2		
1-027	822-00601-200	STARTER PAWL SHIM 0.6T	2		
1-028	793-10200-201	STEP BOLT	2	I -J132330	
1-028	793-10200-202	STEP BOLT	2	J132331-	
1-029	065-00000-200	FLYWHEEL WASHER	2		
1-030	066-00601-200	FLYWHEEL NUT	1		
1-031	112-00700-201	FAN CASE	1	-C151400	
1-031	112-00750-201	FAN CASE	1	N C151401-	
1-032	016-00801-800	CYLINDER SHROUD COMP.	1	-C151400	
1-032	102-01300-200	INSULATOR	1	N C151401-	
1-033	203-10000-200	PRIMARY CORD GROMMET	1	-C151400	
1-033	203-0604A-202	GROMMET	1	P C151401-	
1-034	132-00601-201	FLASH PAN	1	M	
1-034	132-0062V-201	FLASH PAN	1	D C151401-	
1-035	751-0062V-200	MUFFLER S. GASKET	2		
1-036	333-00602-200	CLUTCH CASE FIXING BASE	1	R -C151400	
1-036	333-00602-202	CLUTCH CASE FIXING BASE	1	C151401-	
1-037	347-00501-205	CLUTCH FLANGE	1		
1-038	066-00000-200	FLYWHEEL NUT 12	1		
1-039	359-02103-200	CLUTCH WASHER B	2		

- To be cont'd -

REF. NBR	PART NBR	PART NAME	QTY	SERIAL NBR	REMARKS
1-040	290-00501-802	CLUTCH SHOE COMP.	2		
1-041	358-02103-200	WASHER	2		
1-042	357-00801-200	STEP BOLT	2		
1-043	342-00501-204	CLUTCH SPRING	1		
1-044	591-00801-200	TANK	1	R -B226783	
1-044	591-00783-200	TANK	1	B226784-	
1-045	595-0062A-910	TANK CAP ASS'Y. ORANGE	1	M	
1-045	595-0062A-901	TANK CAP ASS'Y	1		
1-052	675-04001-900	PUMP FILTER BODY ASS'Y	1	R -H118649	
1-052	675-0608A-900	PUMP FILTER BODY ASS'Y	1	H118650-	
1-059	680-04019-210	CLIP 7	1		
1-060	678-00601-201	RUBBER PIPE	1		
1-061	500-33202-205	RUBBER PIPE CAP	1		
1-062	700-03005-190	FUEL PIPE 3X5X190	1		
1-063	659-00801-200	COLLAR	3		
1-064, 1	705-00783-901	MUFFLER ASS'Y	1	-B226783	
1-064, 1	705-00783-910	MUFFLER ASS'Y	1	N -C151400	
1-064, 1	705-00783-920	MUFFLER ASS'Y FOR USA	1	N -D048090	
1-064, 1	705-00783-920	MUFFLER ASS'Y FOR USA	1	R -D048090	
1-064	705-00783-921	MUFFLER ASS'Y FOR USA	1	D048091-	
1-065, 1	157-04000-900	SPARK PLUG CAP ASS'Y	1	-F172000	
1-065	157-01570-900	SPARK PLUG CAP ASS'Y	1	P F172001-	
1-066, 1	255-0062A-200	SPARK PLUG RUBBER COVER	1	-D300221	
1-066, 1	255-0062A-201	SPARK PLUG RUBBER COVER	1	P -E024900	
1-066, 1	255-0062A-201	SPARK PLUG RUBBER COVER	1	R -E024900	
1-066	255-0608A-200	SPARK PLUG RUBBER COVER	1	E024901-	
1-067	990-11050-601	SCREW 5X60	2		
1-068	992-10050-012	S.WASHER 5	2		
1-069	992-01050-011	WASHER 5	2		
1-070	403-00601-202	INLET MANIFOLD GASKET	2		
1-071, 1	404-0142A-801	CARBURETOR INSULATOR COMP.	1	-G196737	
1-071	404-0142A-200	CARBURETOR INSULATOR	1	N G196738-	
1-072	402-00601-202	CARBURETOR GASKET	2		
1-074	436-0062V-251	AIR CLEANER BASE	1		
1-075	894-01401-201	OUTER RECEIVER	1		
1-077, 1	273-00601-900	STOP BUTTON ASS'Y	1	-D074939	
1-077	170-00601-810	STOP BUTTON COMP.	1	N -F187720	
1-077	170-00601-810	STOP BUTTON COMP.	1	I -F187720	
1-077	170-00763-800	STOP BUTTON COMP.	1	F187721-	
1-078	885-0062V-910	THROTTLE WIRE ASS'Y	1		
1-079	599-00601-200	GROMMET	1		
1-080	252-04000-200	SPARK PLUG CAP SPRING	1	M	
1-081	132-0062V-201	FLASH PAN	1		
1-082	228-0062V-201	METAL	1		
1-083	990-11040-061	SCREW 4X6	1		
1-084	688-11501-200	RETURN SPRING	1		
1-085	990-11050-141	SCREW 5X14	1	N C151401-	
1-086	992-10050-012	S.WASHER 5	1	N C151401-	
1-087	992-01050-011	WASHER 5	1	N C151401-	
1-088	990-11040-121	SCREW 4X12	1	N C151401-	
1-089	992-10040-012	S.WASHER 4	1	N C151401-	
1-090	992-01040-011	WASHER 4	1	N C151401-	
1-091	990-11040-121	SCREW 4X12	1	N C151401-	
1-092, 1	990-11040-181	SCREW 4X18	2	-E059970	
1-092	990-11040-081	SCREW 4X8	1	N E059971-	
1-092	990-11040-081	SCREW 4X8	1	D F187721-	
1-093	990-11040-181	SCREW 4X18	4		
1-094, 1	994-16040-181	SCREW 4X18/WS	2	-F187720	
1-094	994-16040-226	SCREW 4X22/WS	2	N F187721-	
1-095, 1	992-10040-012	S.WASHER 4	2	-E059970	
1-095	992-10040-012	S.WASHER 4	1	N E059971-	
1-095	992-10040-012	S.WASHER 4	1	D F187721-	
1-097	990-11050-161	SCREW 5X16	4		

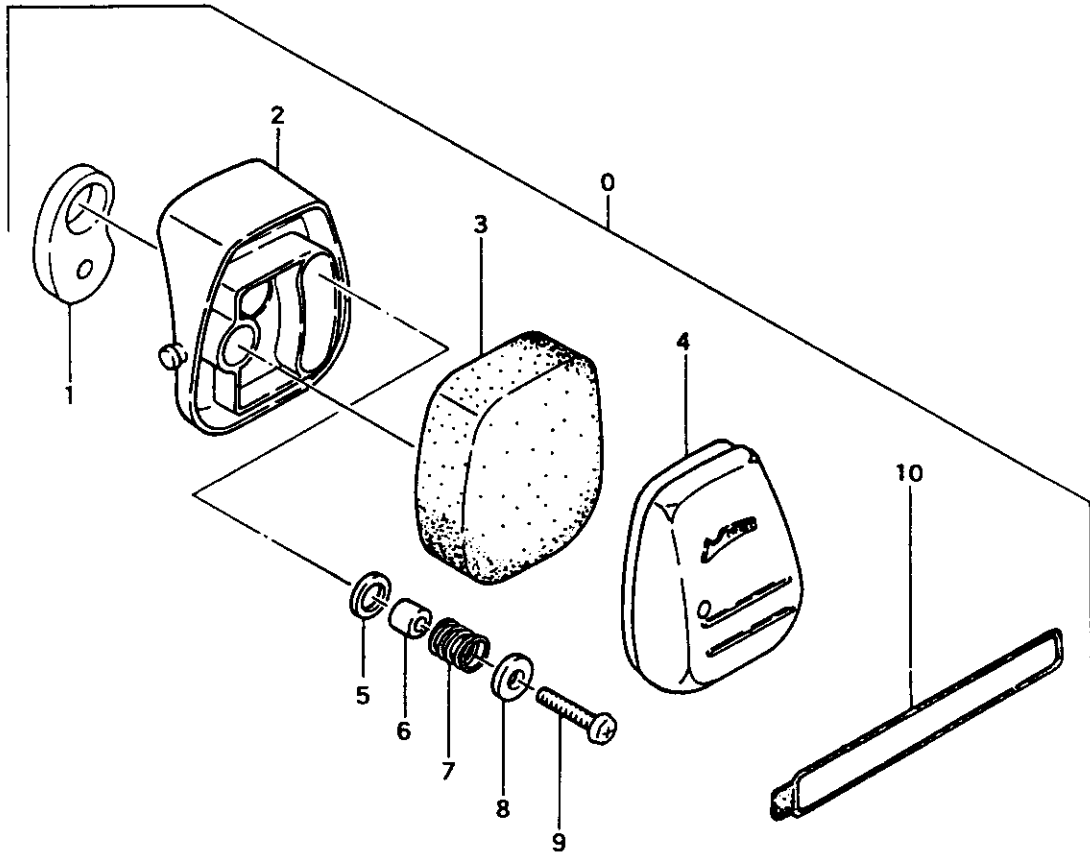
REF. NBR	PART NBR	PART NAME	QTY	SERIAL NBR	REMARKS
1-098	992-10050-012	S. WASHER 5	4		
1-099	990-11050-181	SCREW 5X16	4		
1-100	990-11050-251	SCREW 5X25	4		
1-101.1	990-11050-241	SCREW 5X24	2	-G196737	
1-101	990-11050-222	SCREW 5X22	2	N G196738-	
1-102.1	992-10050-012	S. WASHER 5	2	N G196737	
1-102	992-10050-042	S. WASHER 5	2	N G196738-	
1-103	992-10040-012	S. WASHER 4	1	N C151401-	
1-104	992-01040-011	WASHER 4	1	N C151401-	
1-105	990-11050-181	SCREW 5X16	3		
1-106	992-01050-011	WASHER 5	3		
1-107	992-10070-012	S. WASHER 7	1		
1-108	991-01060-013	NUT 6	1		
1-109	990-11040-101	SCREW 4X10	3		
1-110	992-10040-012	S. WASHER 4	3		
1-111	992-00050-041	WASHER 5	2	N G196738-	
1-113.1	717-00763-800	MUFFLER BODY B COMP.	1	N -B226783	
1-113	717-00763-801	MUFFLER BODY B COMP.	1	N -C151400	
1-113	717-00763-801	MUFFLER BODY B COMP.	1	R -D048090	
1-113	717-00763-802	MUFFLER BODY B COMP.	1	D048091-	
1-114	740-0062W-200	MUFFLER COLLAR	2		
1-115.1	722-00763-800	MUFFLER PARTITIVE PLATE	1	N -C151400	
1-115	722-00741-801	MUFFLER PLATE COMP.	1	N C151401-	
1-116	723-0062W-200	ASBESTOS THREAD	1		
1-117	737-00531-201	MUFFLER GASKET	2	N -C151400	
1-117	737-00531-201	MUFFLER GASKET	1	N C151401-	
1-118	992-10040-012	S. WASHER 4	4		
1-119	992-10050-012	S. WASHER 5	4		
1-120	992-10050-012	S. WASHER 5	4		
1-122	198-11800-800	CORD CLAMP COMP.	1	D F187721-	
1-124	751-0062W-200	MUFFLER S. GASKET	1	D C151401-	
1-125	990-11040-101	SCREW 4X10	1	D C151401-	
1-126	992-10040-012	S. WASHER 4	1	D C151401-	
1-127	992-01040-011	WASHER 4	1	D C151401-	
1-128	990-11040-101	SCREW 4X10	2	D C151401-	
1-129	992-01040-011	WASHER 4	2	D C151401-	
1-130	016-00601-800	CYLINDER SHROUD COMP.	1	D C151401-	
1-131	992-01050-011	WASHER 5	1	D C151401-	
1-132	990-11050-101	SCREW 5X10	1	D C151401-	
1-133	992-01040-011	WASHER 4	1	D C151401-	
1-134	990-11040-081	SCREW 4X8	1	D C151401-	

FIG.2 RECOIL STARTER



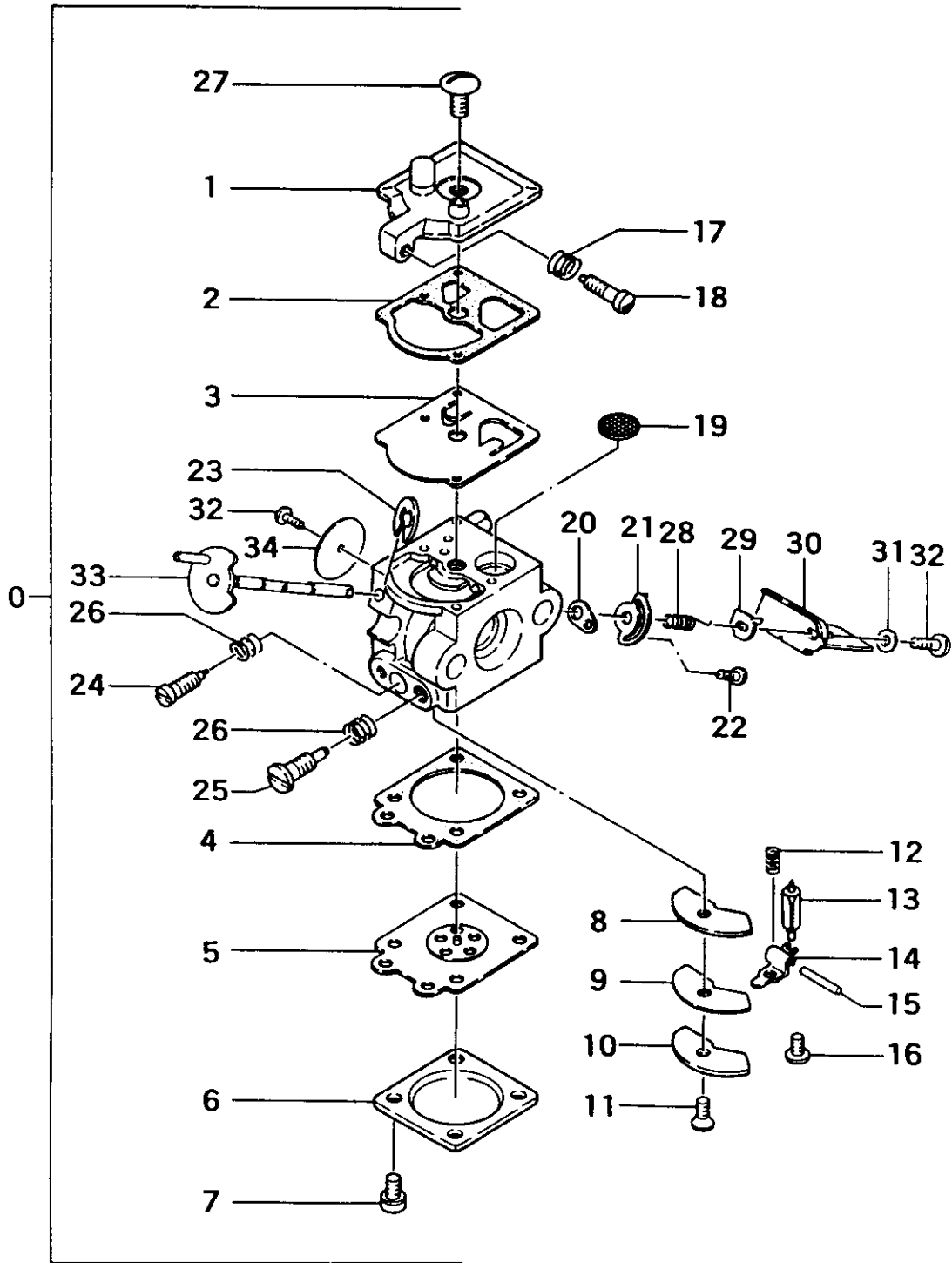
REF. NBR	PART NBR	PART NAME	QTY	SERIAL NBR	REMARKS
2-000	756-00601-920	RECOIL STARTER ASS'Y	1		
2-001	772-00601-821	RECOIL STARTER BODY COMP.	1		
2-002	774-00601-806	STARTER ROPE REEL COMP.	1		
2-003, 1	779-00601-204	RECOIL SPRING	1	-E261275	
2-003	778-00600-900	RECOIL SPRING CASE ASS'Y	1	N E261276-	
2-009	783-00601-210	ROPE	1		
2-011	780-00601-201	ROPE GUIDE	1		
2-012	785-10207-201	STARTER HANDLE	1		
2-013	992-01040-011	WASHER 4	1		
2-014	833-10207-200	STARTER HANDLE CAP	1		
2-016	992-08050-006	SPECIAL WASHER 5	1		
2-017	990-21050-251	BOLT 5X25	1		
2-018	778-0141Y-202	RECOIL SPRING CASE	1	D E261276-	
2-019	778-00601-201	RECOIL SPRING CASE COVER	1		
2-022	992-20050-000	INNER TOOTHED WASHER 5	1		
2-024	991-43050-026	CAP NUT 5	1		

FIG.3 AIR CLEANER



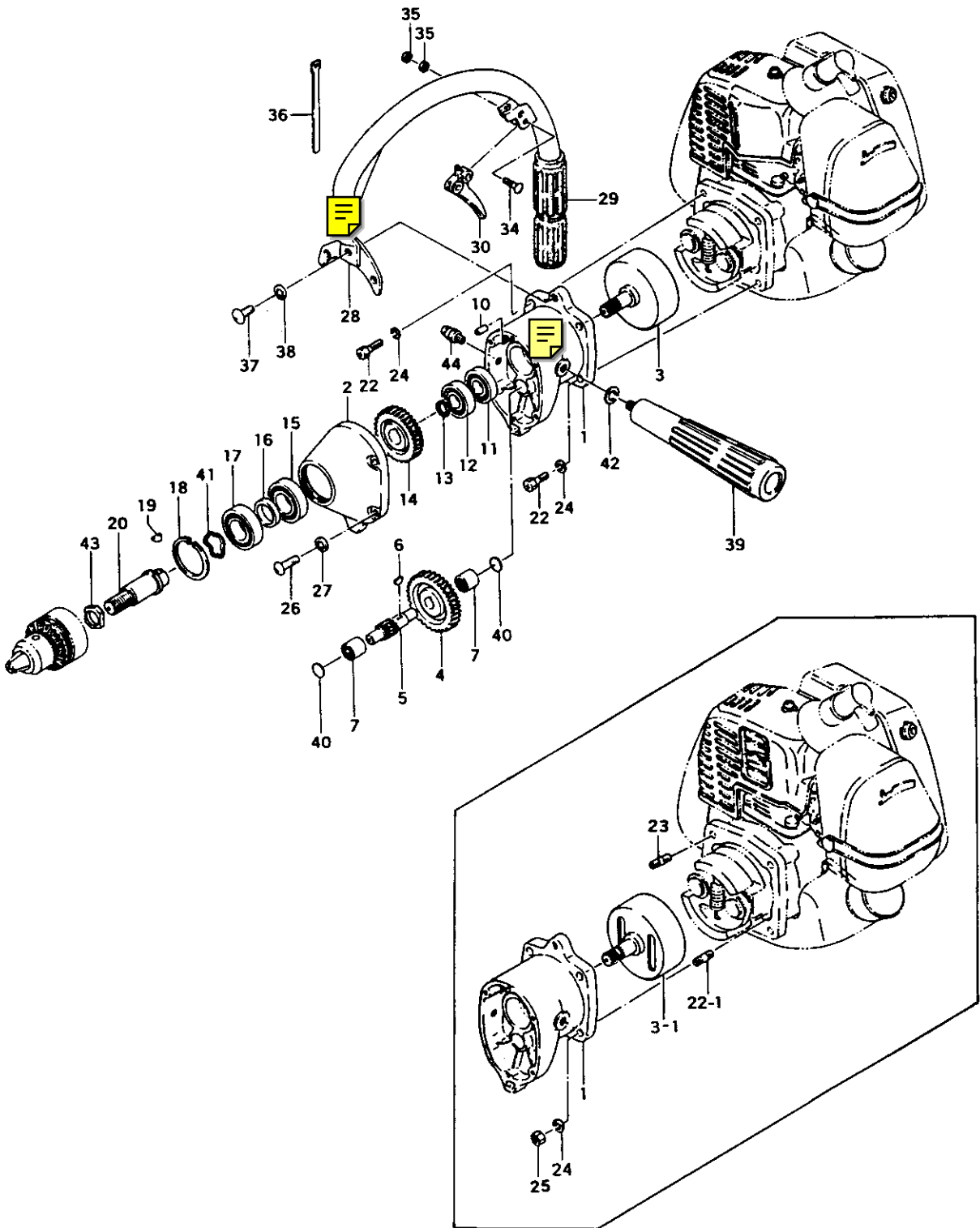
REF. NBR	PART NBR	PART NAME	QTY	SERIAL NBR	REMARKS
3-000	410-0062A-901	AIR CLEANER ASS'Y	1		
3-001	431-00601-201	CLEANER GASKET	1		
3-002	423-00601-203	AIR CLEANER BODY	1		
3-003	444-00601-201	CLEANER ELEMENT A	1		
3-004	424-00601-202	CLEANER COVER	1		
3-005	182-00601-200	SPECIAL WASHER/CLEANER	2		
3-006	454-00601-202	CLEANER FIXING METAL	2		
3-007	432-00601-200	CLEANER SPRING	2		
3-008	992-01050-011	WASHER 5	2		
3-009	990-11050-551	SCREW 5X55	2		
3-010	466-0062A-200	CLEANER BAND	1		

FIG.4 CARBURETOR



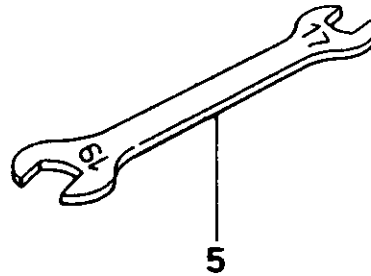
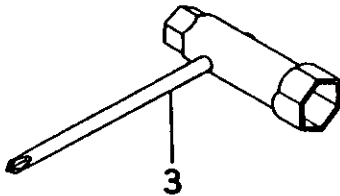
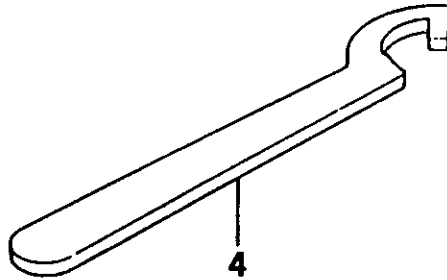
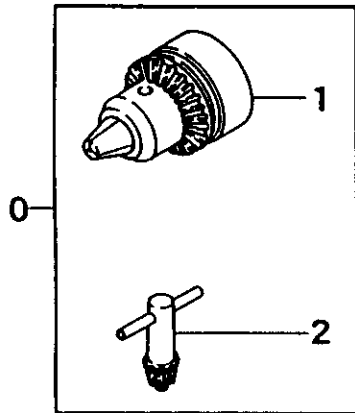
REF. NBR	PART NBR	PART NAME	QTY	SERIAL NBR	REMARKS
4-000	455-25004-902	CARBURETOR ASS'Y	1	R -D048090	
4-000	455-25022-901	CARBURETOR ASS'Y WA-12C	1	D048091-	
4-001	575-25001-200	PUMP BODY	1		
4-002	577-25001-200	PUMP GASKET	1		
4-003	576-25001-200	PUMP DIAPHRAGM	1		
4-004	475-25001-200	DIAPHRAGM GASKET	1		
4-005	474-25001-800	METERING DIAPHRAGM COMP.	1		
4-006	476-25006-200	DIAPHRAGM COVER	1	M	
4-006	476-25004-200	DIAPHRAGM COVER	1		
4-007	548-25014-201	SET SCREW	4	M	
4-007	548-25012-200	SET SCREW	4		
4-008	522-25001-200	CIRCUIT PLATE GASKET	1		
4-009	521-25001-200	CIRCUIT CHECK VALVE DIAPHRAGM	1		
4-010	523-25001-200	CIRCUIT PLATE	1		
4-011	524-25001-200	CIRCUIT PLATE SCREW	1		
4-012	477-25001-200	VALVE SPRING	1		
4-013	603-25001-200	NEEDLE VALVE	1		
4-014	473-25001-200	VALVE HINGE	1		
4-015	605-25001-200	HINGE PIN	1		
4-016	546-25001-200	HINGE PIN SET SCREW	1		
4-017	463-25008-200	IDLE ADJUST SPRING	1		
4-018	462-25008-200	IDLE ADJUST SCREW	1		
4-019	578-25001-200	INLET SCREEN	1		
4-020	505-25004-200	GOVERNOR CONTROL PLATE	1		
4-021	507-25004-200	CONTROL LEVER	1		
4-022	548-25004-200	SCREW 3X8	1		
4-023	489-25004-200	STOP RING	1		
4-024	461-25001-200	SLOW ADJUST SCREW	1		
4-025	460-25001-200	MAIN JET SCREW	1		
4-026	623-25001-200	HIGH/LOW ADJUST SPRING	2		
4-027	514-25001-200	SET SCREW	1		
4-028	486-25004-200	CONTROL LEVER SPRING	1		
4-029	490-25004-200	GOVERNOR SPRING LEVER	1		
4-030	630-25004-201	GOVERNOR LEVER	1		
4-031	549-25004-200	SPECIAL WASHER	1		
4-032	467-25003-200	SHUTTER SCREW	2		
4-033	464-25004-800	THROTTLE SHAFT COMP.	1		
4-034	488-25012-200	THROTTLE VALVE	1	M	
4-034	488-25001-200	THROTTLE VALVE	1		

FIG.5 DRILL BODY



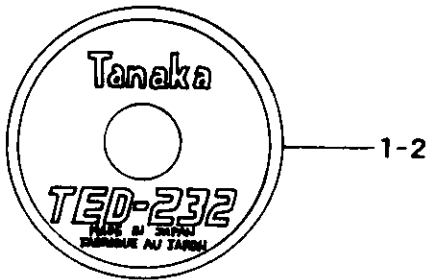
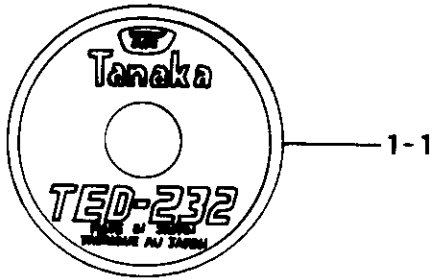
REF. NBR	PART NBR	PART NAME	QTY	SERIAL NBR	REMARKS
5-001	002-32120-203	GEAR CASE A	1		
5-002	006-32120-204	GEAR CASE B	1		
5-003, 1	226-32120-804	CLUTCH HOUSING COMP.	1	-J132330	
5-003	226-32120-805	CLUTCH HOUSING COMP.	1	P -K079511	
5-003	226-32120-805	CLUTCH HOUSING COMP.	1	I -K079511	
5-003	226-32120-806	CLUTCH HOUSING COMP.	1	K079512-	
5-004	012-32120-200	GEAR 2	1		
5-005	016-32120-201	GEAR 3	1		
5-006	068-00300-200	WOOD-RUFF KEY 3X10X3.7	1		
5-007	999-62091-211	NEEDLE BEARING TLA912	2		
5-010	999-05041-201	KNOCK PIN 4X12	2		
5-011	999-61600-102	BALL BEARING #6001Z, 28MM/OD	1		
5-012	999-61600-100	BALL BEARING #6001, 28MM/OD	1		
5-013	993-50012-002	STOP RING C-12 EX	1		
5-014	018-32120-200	GEAR 4	1		
5-015	999-61720-221	BALL BEARING #7202B, 35MM/OD	1		
5-016	040-32120-201	BEARING WASHER	1		
5-017	999-61620-202	BALL BEARING #6202Z, 35MM/OD	1		
5-018	993-51035-002	STOP RING C-35 IN	1		
5-019	068-01006-200	WOOD-RUFF KEY 3X13X5	1		
5-020	022-32120-201	DRIVE SHAFT	1		
5-022, 1	100-12000-200	STUD BOLT 6X26	2	-E055570	
5-022	990-23060-221	BOLT 6X22 W/PLUS	4	N E055571-	
5-023	100-12100-200	STUD BOLT 6X30	2	D E055571-	
5-024	992-10060-012	S. WASHER 6	4		
5-025	991-01060-011	NUT 6	4	D E055571-	
5-026	990-11050-181	SCREW 5X18	4		
5-027	992-10050-012	S. WASHER 5	4		
5-028	258-32120-805	HANDLE COMP. A	1	I -K079511	
5-028	258-32120-806	HANDLE COMP. A	1	K079512-	
5-029	055-32130-200	HANDLE GRIP	1		
5-030	101-32120-201	THROTTLE LEVER	1		
5-034	990-11050-221	SCREW 5X22	1		
5-035	991-01050-011	HEX. NUT 5	2		
5-036	903-32201-200	WIRE CLAMP BAND	2		
5-037	990-11060-161	SCREW 6X16	1		
5-038	992-10060-012	S. WASHER 6	1		
5-039	259-32120-810	HANDLE COMP. B	1		
5-040	025-32120-200	GEAR WASHER	2		
5-041	992-09350-030	WAVE WASHER B.B 35	1		
5-042	992-10100-012	S. WASHER 10	1		
5-043	231-32100-210	GEAR SHAFT COLLAR B	1	-J132330	
5-043	231-32175-200	GEAR SHAFT COLLAR B	1	P J132331-	
5-044	200-33210-210	GREASE NIPPLE	1		

FIG.6 TOOLS & OPTIONAL PARTS



REF. NBR	PART NBR	PART NAME	QTY	SERIAL NBR	REMARKS
6-000	059-32120-810	CHUCK HANDLE SET	1	I -H248180	
6-000	059-32120-911	CHUCK HANDLE SET	1	H248161-	
6-001	060-32120-801	DRILL CHUCK ASS'Y	1	-E120423	
6-001	060-32120-910	DRILL CHUCK ASS'Y	1	N -H248160	
6-001	060-32120-910	DRILL CHUCK ASS'Y	1	I -H248180	
6-001	060-32120-911	DRILL CHUCK ASS'Y	1	H248161-	
6-002	061-32120-800	CHUCK HANDLE COMP.	1	-E120423	
6-002	061-32120-810	CHUCK HANDLE COMP.	1	N -H248160	
6-002	061-32120-810	CHUCK HANDLE COMP.	1	I -H248160	
6-002	061-32120-811	CHUCK HANDLE COMP.	1	H248161-	
6-003	829-20000-800	COMBI. BOX SPANNER 13X19 ,PLUS	1		
6-004	845-20000-200	SPECIAL WRENCH 31	1		
6-005	049-29321-750	SPANNER 17X19	1		

FIG.7 MARKS



REF. NBR	PART NBR	PART NAME	QTY	SERIAL NBR	REMARKS
7-001,1	906-32135-201	NAME PLATE	1 R	-F135800	
7-001,2	906-32135-202	NAME PLATE	1	-H248160	
7-001	950-32124-200	PROFORCE MARK A	1 N	H248161-	
7-002,1	929-0608A-200	SYMBOL MARK	1 R	-F135800	
7-002,2	929-0608A-201	SYMBOL MARK	1	-H248160	
7-002	906-32124-200	NAME PLATE	1 N	H248161-	