



BOSCH

Impact Wrench

TDR 1440-LI | 3 601 JB3 480

Table of Content

Spare parts list.....	2
Illustration - Type.....	3

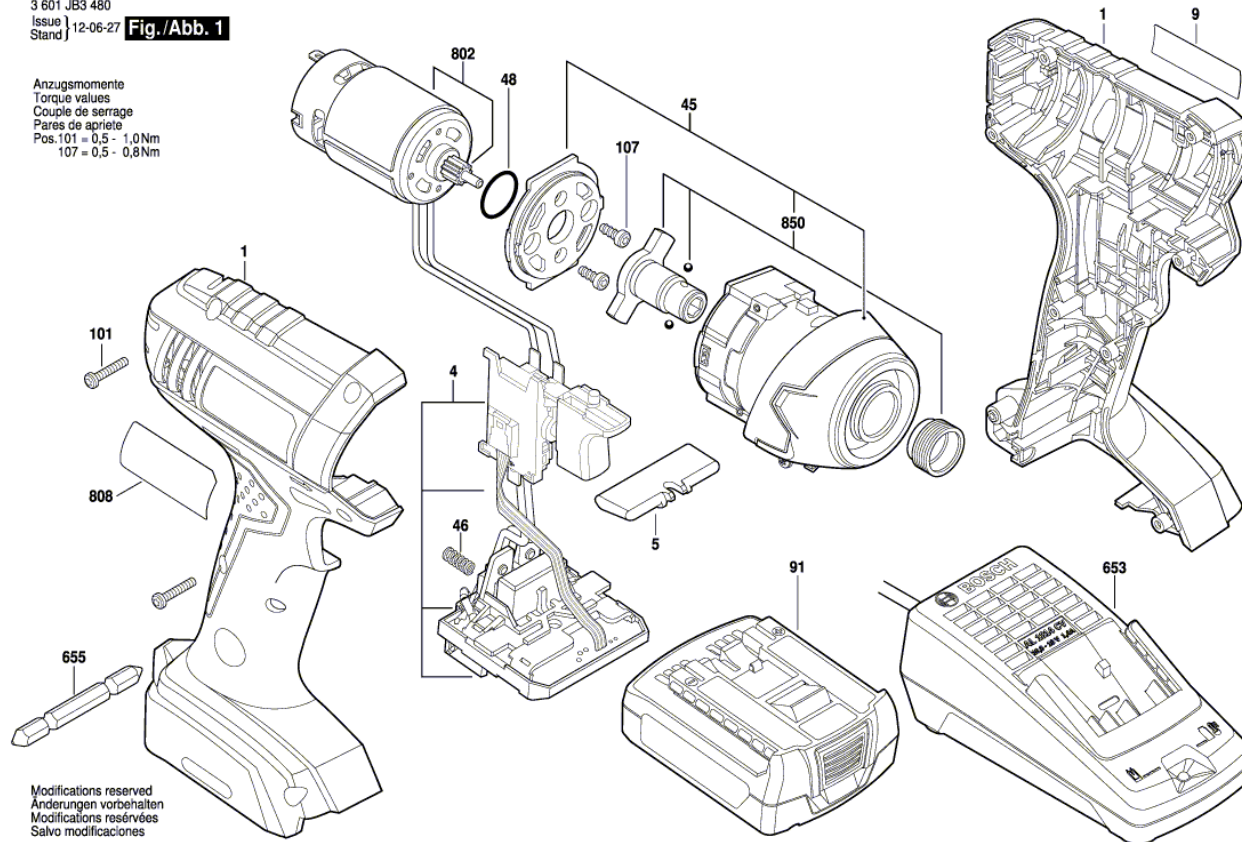
Spare parts list

Item	Part Number	Description
1	2 609 101 006	Housing
4	2 609 199 609	Electronics Module
5	2 609 100 698	Button
9	2 609 133 199	Manufacturer's nameplate TDR 1440 LI
45	2 609 199 364	Gear Box
46	1 609 280 477	Compression Spring
48	2 609 170 168	Seal Ring
91	2 607 336 607	Slide-In Accu Package 14,4V 1,3Ah, Li, Alpha 18720mWh
101	2 609 110 201	Torx Flat-Head Screw 3x16
107	2 609 110 560	Screw
653	2 607 225 741	Battery Charger CN 230/10,8-18V, 30 MIN
655	2 609 110 342	Screwdriver Blade
802	2 609 199 419	DC motor 14,4V
808	2 609 133 165	Nameplate
850	2 609 199 319	Coupling Half

Illustration - Type - E

3 601 JB3 480
 Issue | 12-06-27
 Stand | **Fig./Abb. 1**

Anzugsmomente
 Torque values
 Couple de serrage
 Pares de apriete
 Pos. 101 = 0,5 - 1,0Nm
 107 = 0,5 - 0,8Nm



Modifications reserved
 Änderungen vorbehalten
 Modifications réservées
 Salvo modificaciones