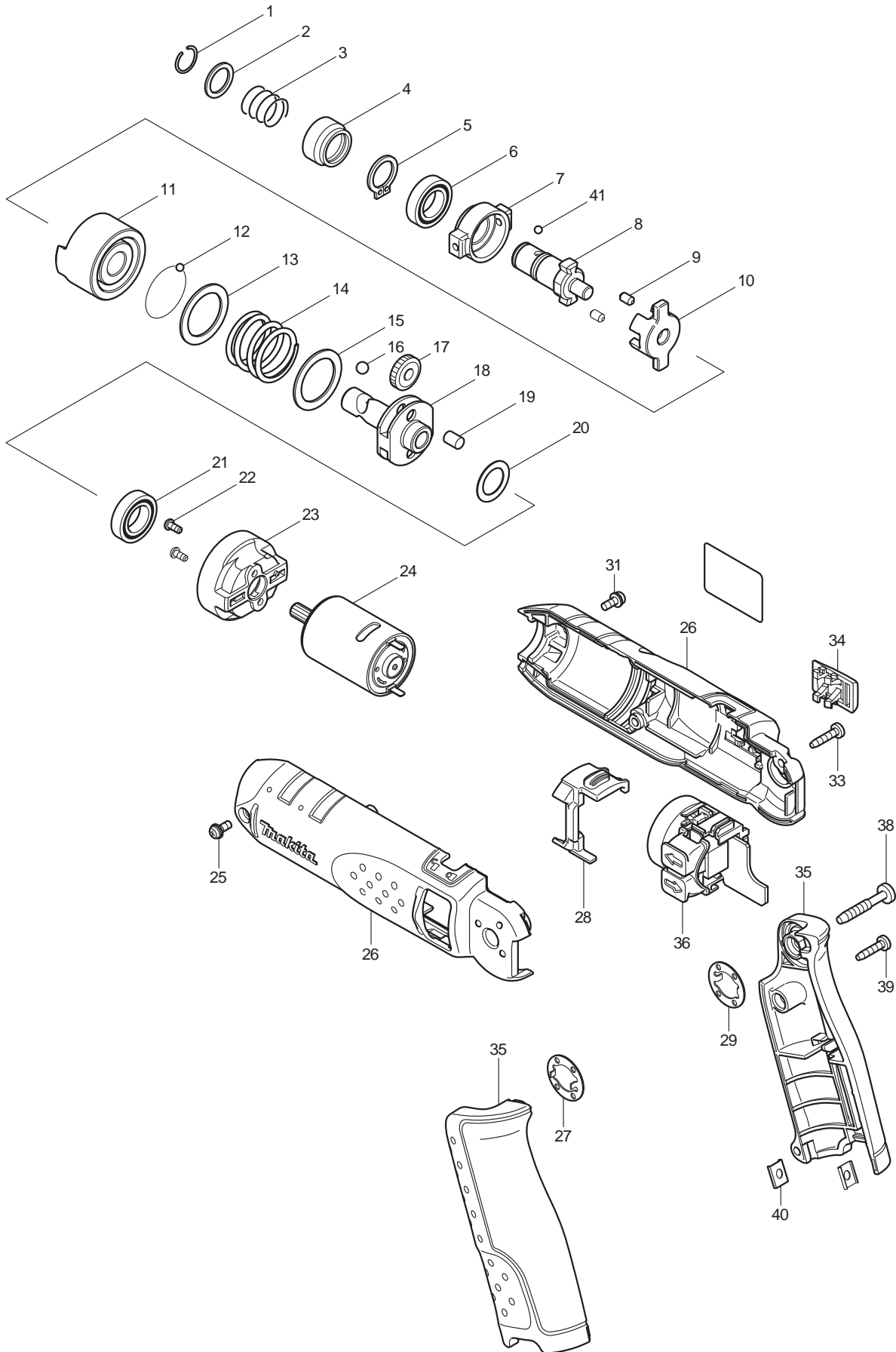




11 - 2010
TD020DSE / TD020DSEW
7.2V 1/4" HEX IMPACT DRIVER KIT



Item No	Type	Sub	Part No	Description	Qty	Unit
1			231965-7	RING SPRING 10	1	PC.
2			267143-3	FLAT WASHER 11	1	PC.
3			233005-7	COMPRESSION SPRING 13	1	PC.
4			324711-6	BIT SLEEVE	1	PC.
5			961072-9	RETAINING RING S-12	1	PC.
6			210108-4	BALL BEARING 6801LLU	1	PC.
7			313136-9	LOCK RING	1	PC.
8			324717-4	SPINDLE M	1	PC.
9			268160-6	PIN 3.5	2	PC.
10			324713-2	ANVIL	1	PC.
11			324714-0	HAMMER	1	PC.
12			216019-1	STEEL BALL 3	23	PC.
13			267335-4	FLAT WASHER 20	1	PC.
14			233481-5	COMPRESSION SPRING 20	1	PC.
15			267335-4	FLAT WASHER 20	1	PC.
16			216002-8	STEEL BALL 4.8	2	PC.
17			227173-6	SPUR GEAR 27	2	PC.
18			324715-8	SPINDLE	1	PC.
19			268161-4	PIN 5	2	PC.
20			253052-2	FLAT WASHER 12	1	PC.
21			210108-4	BALL BEARING 6801LLU	1	PC.
22			265172-0	+PAN HEAD SCREW M2.6X6	2	PC.
23			419639-2	INTERNAL GEAR CASE	1	PC.
24			629842-9	DC MOTOR	1	PC.
25			265173-8	PAN HEAD SCREW M3X8	1	PC.
26			188200-3	MOTOR HOUSING SET (BLUE F/ TD020DSE)	1	SET
26A			188205-3	MOTOR HOUSING SET (WHITE F/ TD020DSEW)	1	SET
27			267803-7	LOCK WASHER	1	PC.
28			419637-6	CHANGE LEVER	1	PC.
29			267803-7	LOCK WASHER	1	PC.
31			265173-8	PAN HEAD SCREW M3X8	1	PC.
33			266404-8	TAPPING SCREW BIND 3X14	3	PC.
34			419638-4	LIGHT COVER	1	PC.
35			188198-4	HANDLE SET (BLUE F/TD020DSE)	1	SET
35A			188199-2	HANDLE SET (WHITE F/TD020DSEW)	1	SET
36			638470-9	SWITCH UNIT	1	PC.
38	1		265999-8	TAPPING SCREW 4X25	1	PC.
	2		266374-1	TAPPING SCREW 4X25	1	PC.
39			266404-8	TAPPING SCREW BIND 3X14	2	PC.
40			345749-8	SET PLATE	2	PC.
41			216019-1	STEEL BALL 3	2	PC.
C01			848544-0	CARTON F/TD020DSEW	1	PC.

ACCESSORIES

- See catalogue or visit www.makita.ca for more accessories information -

A01	1		DC07SA	DC07SA BATTERY CHARGER	1	PC.
	2		DC10WB	DC10WB BATTERY CHARGER	1	PC.
A02			194356-2	7.2V LI-ION BATTERY BL7010	2	PC.
A03			168435-2	HOLSTOR (Old)	1	PC.
A04			831272-4	SOFT CASE	1	PC.
A05			194375-8	WOOD/METAL HSS DRILL BIT 3.2	1	PC.
A06			419730-6	BIT HOLDER	1	PC.
A07			784025-9	- BIT 6-50, SLOTTED	1	PC.
A08			784244-7	+ BIT 2-50, PHILLIPS, DOUBLE ENDED	1	PC.
A09			784245-5	+ BIT 1-50, PHILLIPS, DOUBLE ENDED	1	PC.
A10			824781-0	PLASTIC CASE (F/Battery, Bits, Screws, etc.) (Added)	1	PC.