

Tanaka Illustrated Parts Manual

Model Number:

TCS-3401/S

PROFESSIONAL PRUNING SAW

P/N 29019

Rev 000

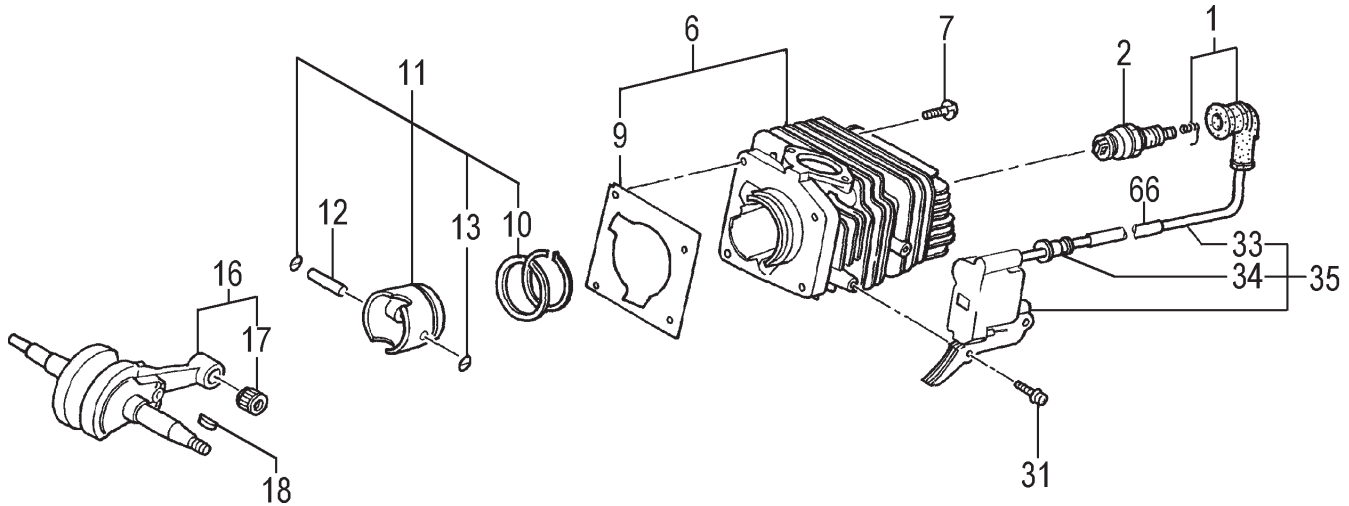
Date 11-14-07



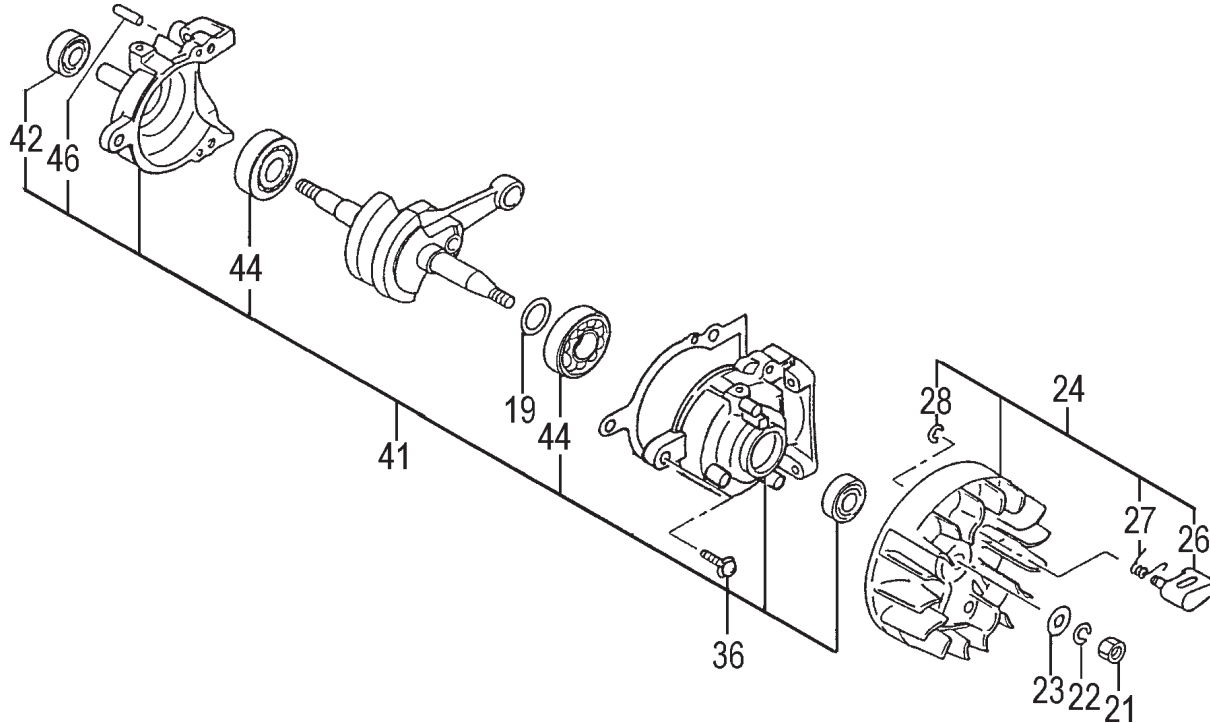
Nikko Tanaka Engineering U.S.A., Ltd. • 1028 4th Street SW, Bldg B • Auburn, WA 98001 • Phone: (253) 333-1200 • Fax: (253) 333-1212

www.tanakapowerequipment.com

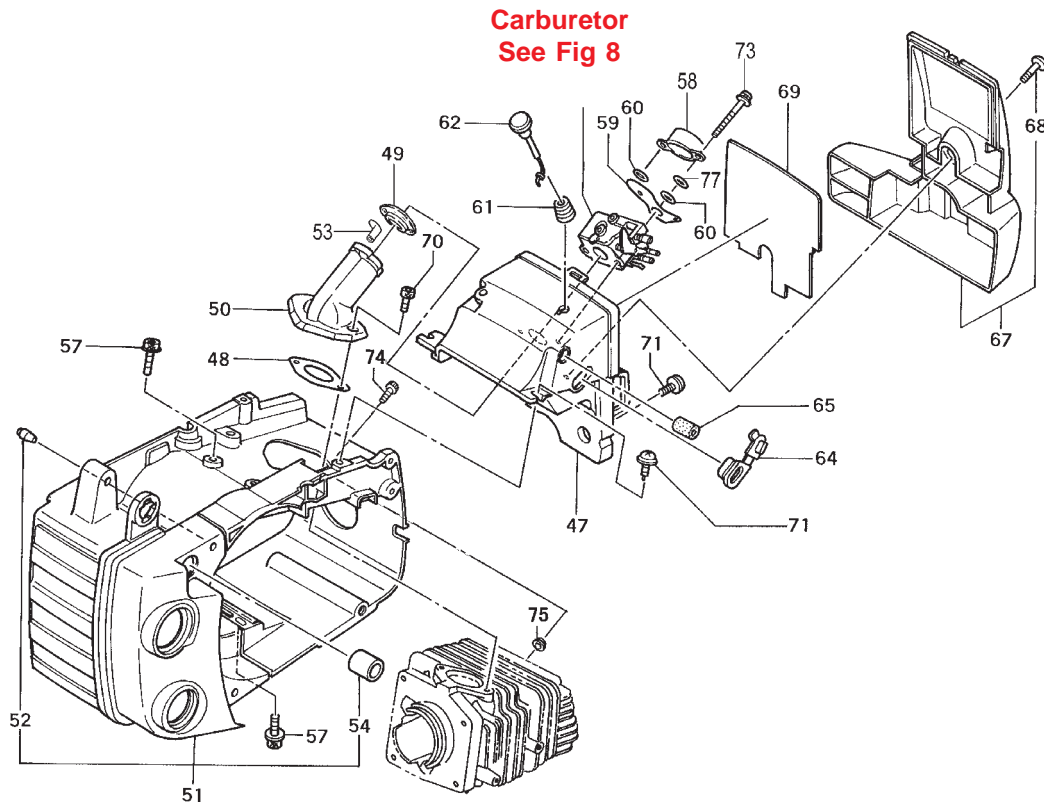
custsvc@nikko-tanaka-usa.com



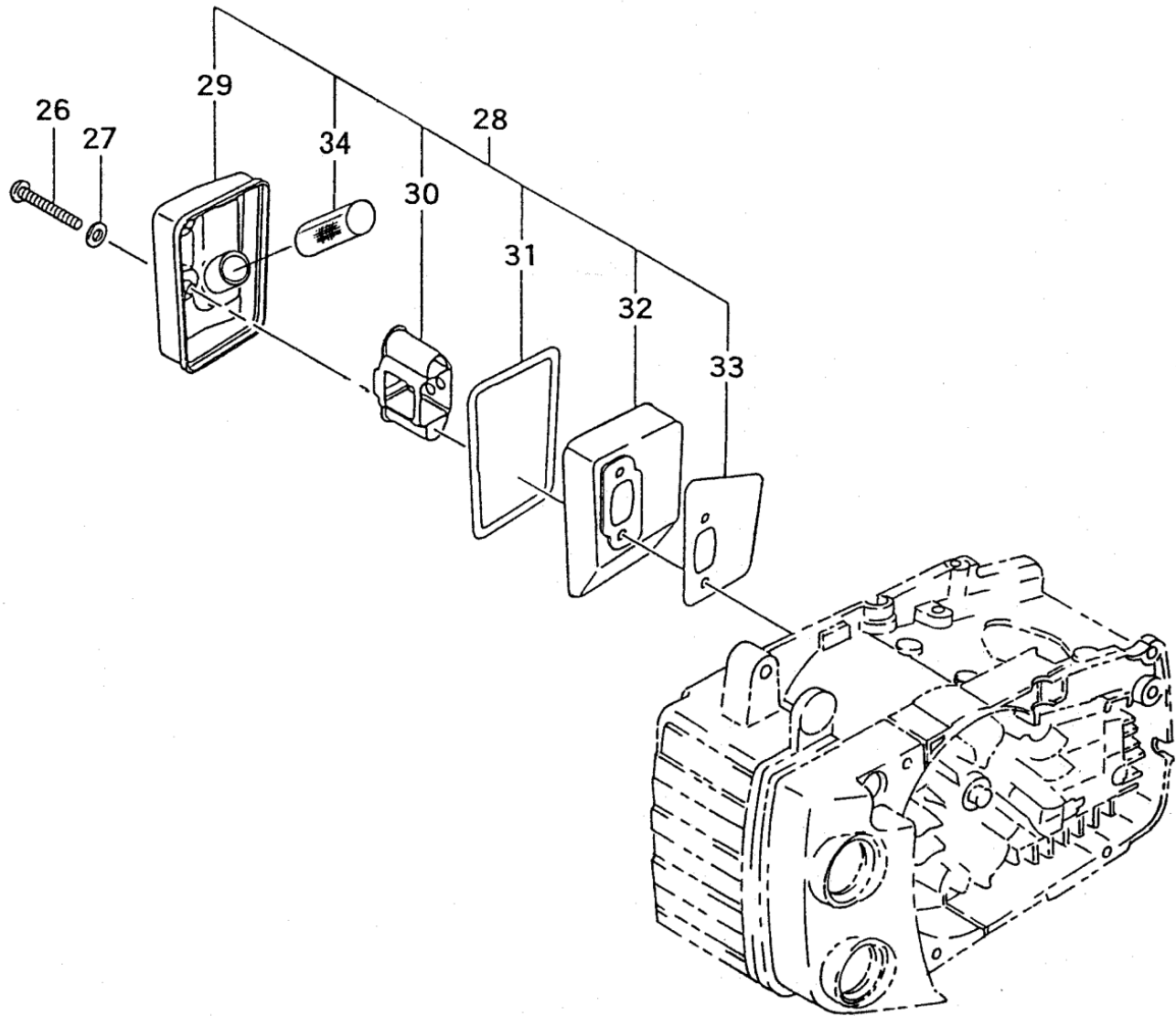
ITEM	PART NUMBER	DESCRIPTION	QTY	COMMENTS
1-1	15711666900	CAP, SPARK PLUG	1	
1-2	0181166021	PLUG, SPARK	1	
1-6	0010175090	SET, CYLINDER	1	Includes gasket
1-7	99461050184	BOLT, HEX, 5X18, S	4	
1-9	0170175020	GASKET, CYLINDER	1	
1-10	04104000200	RING, PISTON	2	
1-11	0300175090	PISTON SET	1	Includes rings & circlips
1-12	03701400200	PIN, PISTON	1	
1-13	03900000201	CIRCLIP, PISTON PIN	2	
1-16	0460175180	CRANKSHAFT	1	
1-17	99962091325	BEARING, NEEDLE, F-910	1	
1-18	06810100200	KEY, WOODRUFF, 3X13X4.5	1	
1-31	99416040186	SCREW, WS, 4X18	2	
1-33	1782055520	CORD, HIGH TENSION	1	
1-34	56020517200	CAP, RUBBER	1	
1-35	1532055590	IGNITION COIL SET	1	~B139550
1-35	1672055590	IGNITION COIL ASSY	1	B139551~
1-66-1	75532050200	TUBE, CORD	1	~B139550
1-66	75532050200	TUBE, CORD	1	



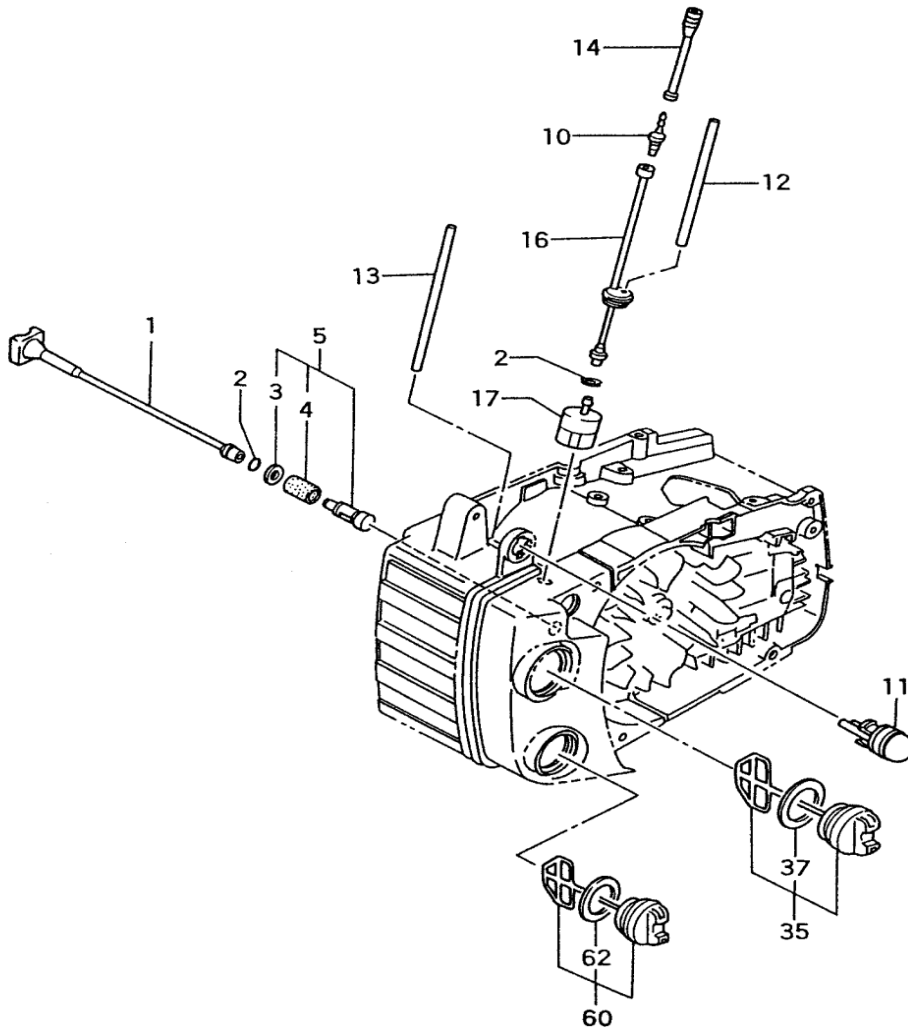
ITEM	PART NUMBER	DESCRIPTION	QTY	COMMENTS
2-19	0710406321	SHIM,CRANKSHAFT,0.1	V	Shims are "as needed" to obtain correct side clearance
2-19	0710406323	SHIM,CRANKSHAFT,0.2	V	
2-19	0710406324	SHIM,CRANKSHAFT,0.3	V	
2-21	06600000200	NUT,FLYWHEEL	1	
2-22	99210070012	WASHER,S,7	1	
2-23	99201070011	WASHER,7	1	
2-24	1552054490	MAGNETO ASS'Y	1	
2-26	7880174020	PAWL,STARTER	2	
2-27	7900174020	SPRING,STARTER PAWL	2	
2-28	99355040001	RING,STOP	2	
2-36	99461050204	BOLT,HEX,HOLE,5X20,S	3	
2-41	0720175090	CRANKCASE ASS'Y	1	Includes bearings, seals and gasket
2-42	99966122206	SEAL,OIL,#TC12227	2	
2-43	0900175020	GASKET,CRANKCASE	1	
2-44	99961620106	BEARING,BALL,#6201	2	
2-46	99905250980	ROLLER,NEEDLE,2.5X9.8	1	



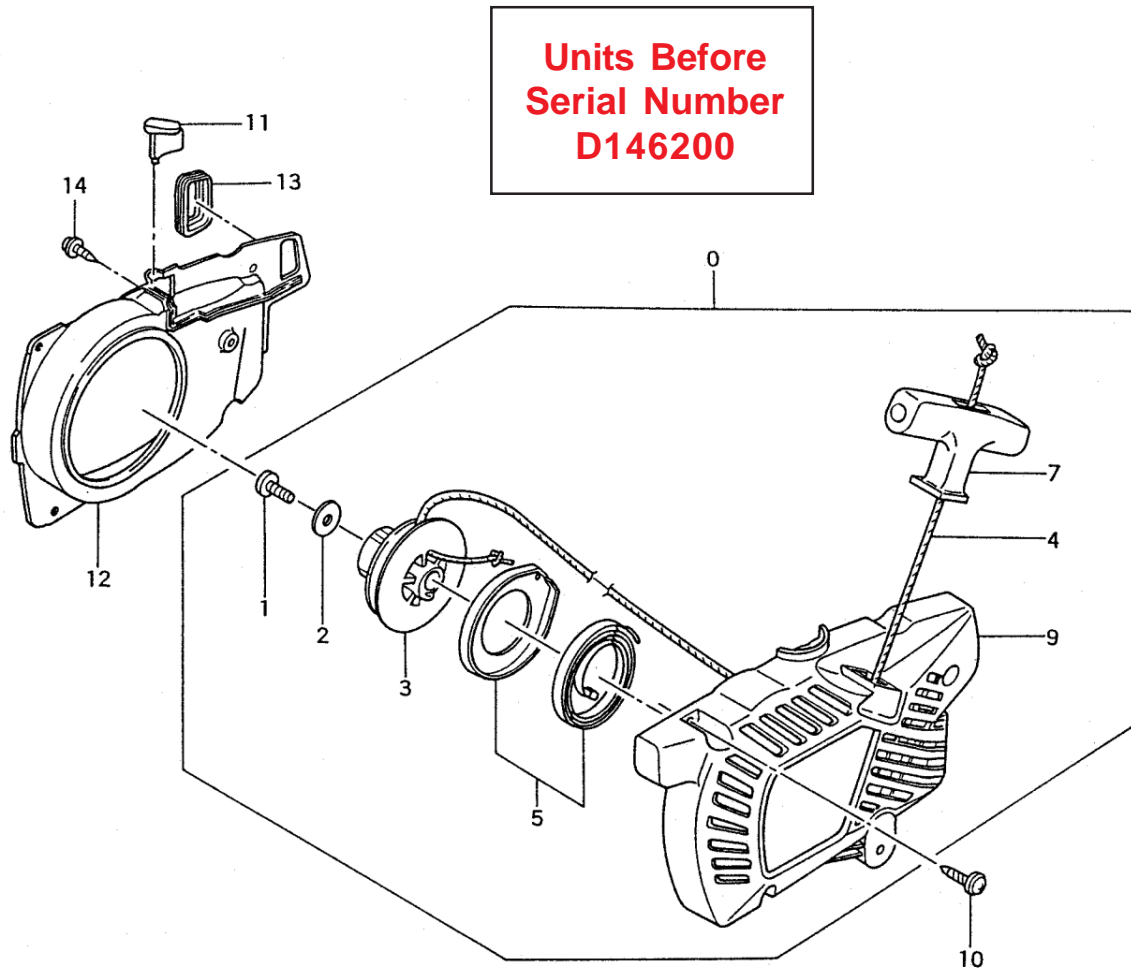
ITEM	PART NUMBER	DESCRIPTION	QTY	COMMENTS
3-47	1553297081	BODY,CLEANER	1	
3-48	4030406320	GASKET,INLET MANIFOLD	1	
3-49	4003297020	SPACER,INLET MANIFOLD	1	
3-50	3910175000	MANIFOLD,INTAKE SET	1	
3-51	5603297090	CASE,ENGINE ASSY	1	
3-52	56204060200	VALVE,AIR VENT,B	1	
3-53	4313297020	GUIDE PLUS	1	V254087~
3-54	6290175090	CAP,TANK INNER	1	
3-57	99463050204	BOLT,HEX 5X20	4	
3-58	47601700200	BOARD,BLOW OVER CHECK	1	
3-59	7003297020	VALVE,CHOKE	1	
3-60	70832350200	SHIM,5.2X8X.80	2	
3-61	7073297020	HOLDER,CHOKE ROD	1	
3-62	7043297080	ROD,CHOKE	1	
3-64	1903297U20	CAP,ADJUSTER	1	
3-65	1913297020	GROMMET,IDLE	1	
3-67	0513297090	COVER,CLEANER	1	
3-68	3800631A200	BOLT,CLEANER COVER	1	
3-69	4210175020	ELEMENT,CLEANER	1	
3-70	99461040124	BOLT,HEX,4X12	2	
3-71	99073045144	SCREW,TAPPING 4.5x14	4	
3-73	99414050401	SCREW,5X40/S	2	~W277571
3-73	99416050422	SCREW,5X42/WS	2	W277572~
3-74	99463050185	BOLT,HEX 5X18PS	1	
3-75	0270630A201	COLLAR	1	
3-77	99200050011	WASHER,SMALL,5	1	W277572~



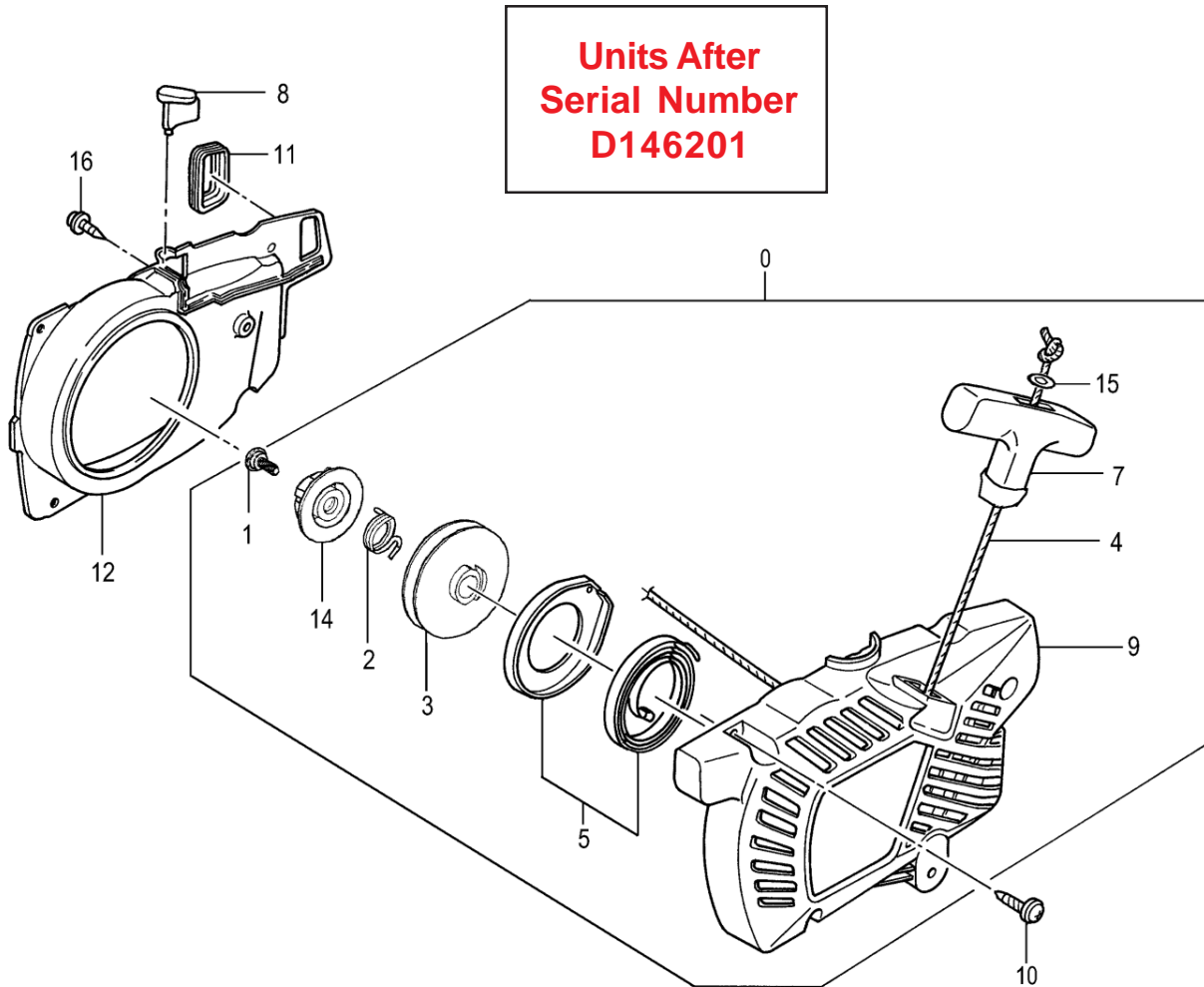
ITEM	PART NUMBER	DESCRIPTION	QTY	COMMENTS
4-26	99414050401	SCREW,5X40/S	2	
4-27	99201050011	WASHER,5	2	
4-28	7040175190	SET,MUFFLER	1	
4-29	7170175080	COVER,MUFFLER	1	
4-30	7240175020	SPACER,MUFFLER	1	
4-31	7390175020	GASKET,MUFFLER	1	
4-32	7160175080	BODY,MUFFLER	1	
4-33	7370175020	GASKET,MUFFLER	1	
4-34	7320175120	ARRESTER,SPARK	1	



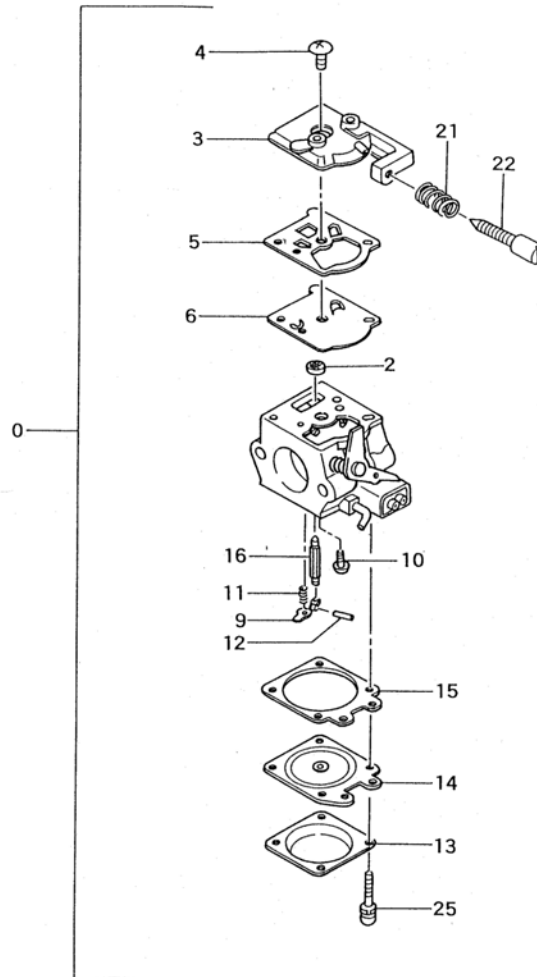
ITEM	PART NUMBER	DESCRIPTION	QTY	COMMENTS
5-1	50532710200	PIPE,OIL,B	1	
5-2	68004019210	CLIP,7	2	
5-3	99201050011	WASHER,5	1	
5-4	48732712201	FILTER,OIL	1	
5-5	4863271090	FILTER,ASS'Y	1	
5-10	4973297020	JOINT,PIPE	1	
5-11	44225143800	PUMP,PRIMING ASS'Y	1	
5-12	70002504090	PIPE,FUEL,2.5X4X90	1	
5-13	7000250421	PIPE,FUEL,2.5X4X210	1	
5-14	6780175020	PIPE,RUBBER	1	
5-16	2220175020	PIPE,FUEL	1	
5-17	6750404280	FILTER,FUEL	1	
5-35	6353252K90	CAP,TANK ASSY	1	
5-37	6303252K20	GASKET,TANK CAP	1	
5-60	6423252K90	CAP,OIL TANK ASSY	1	
5-62	5233252K20	GASKET,OIL TANK CAP	1	



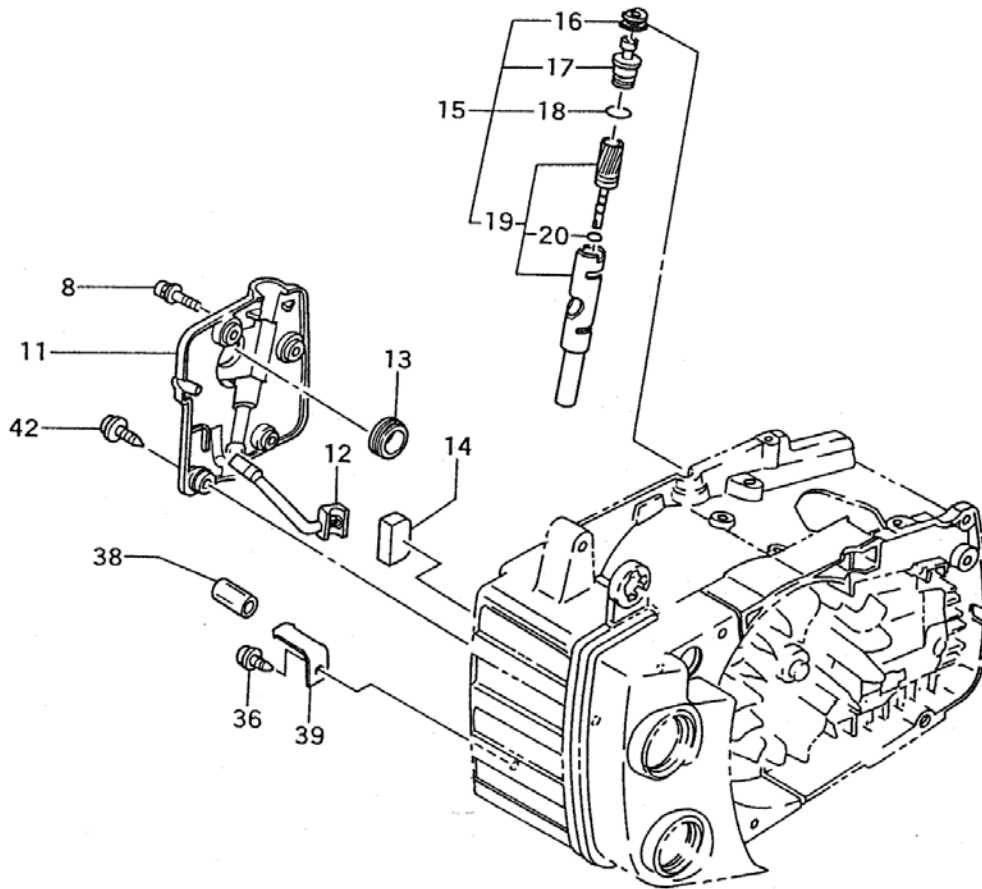
ITEM	PART NUMBER	DESCRIPTION	QTY	COMMENTS
6-0	7560175090	STARTER,RECOIL,ASSY	1	Units before S/N D146200
6-1	99072050144	SCREW,TAPPING,5X14	1	
6-2	36832350200	WASHER,BRAKE SHAFT	1	
6-3	7740174020	PULLEY,STARTER	1	
6-4	7830174020	ROPE,STARTER,3X890	1	
6-5	7780174090	SPRING,RECOIL ASSY	1	
6-7	7850174320	HANDLE,STARTER	1	
6-9	1120175080	HOUSING,STARTER	1	
6-10	99072045204	SCREW,TAPPING,4.5X20	4	
6-11	1573297020	SHUTTER,AIR INTAKE	1	
6-12	1450175020	COVER,INNER	1	
6-13	1290175020	GROMMET,AIR INTAKE	1	
6-14	99073045144	SCREW,TAPPING 4.5x14	1	



ITEM	PART NUMBER	DESCRIPTION	QTY	COMMENTS
7-0	7560175D90	STARTER ASSY,S-START	1	Units after S/N D146201
7-1	8390304520	SCREW,SET	1	
7-2	7580176120	SPRING	1	
7-3	7740176120	PULLEY,STARTER	1	
7-4	7830176120	ROPE,STARTER	1	
7-5	7780176190	SPRING,STARTER	1	
7-7	7850176120	HANDLE,STARTER	1	
7-9	1120175D80	FAN CASE,S-START	1	
7-10	99072045204	SCREW,TAPPING,4.5X20	4	
7-11	1573297020	SHUTTER,AIR INTAKE	1	
7-12	1450175020	COVER,INNER	1	
7-13	1290175020	GROMMET,AIR INTAKE	1	
7-14	7590174M20	PLATE,CAM	1	
7-15	7950406320	STOPPER,ROPE	1	
7-16	99073045144	SCREW,TAPPING 4.5x14	1	



ITEM	PART NUMBER	DESCRIPTION	QTY	COMMENTS
8-0	4552530690	CARBURETOR,ASSY	1	Includes gasket
8-2	57825007200	SCREEN,INLET	1	
8-3	57525006200	BODY,PUMP	1	~ ~ ~ Contained in Carb Repair Kit
8-4	51425001200	SCREW,SET	1	P/N 650-25001-910 (not available individually)
8-5	~ ~ ~	GASKET,PUMP	1	
8-6	~ ~ ~	DIAPHRAGM,PUMP	1	
8-9	47325001200	HINGE,VALVE	1	
8-10	54625001200	SCREW,SET,HINGE PIN	1	
8-11	4772508020	SPRING,VALVE	1	
8-12	60525001200	PIN,HINGE	1	
8-13	47625004200	COVER,DIAPHRAGM	1	
8-14	~ ~ ~	DIAPHRAGM,METERING	1	
8-15	~ ~ ~	GASKET,DIAPHRAGM	1	
8-16	6032501220	NEEDLE VALVE	1	
8-21	46325006200	SPRING,IDLE ADJUST	1	
8-22	46225016200	SCREW,IDLE ADJUST	1	
8-25	54825012200	SCREW,SET	4	

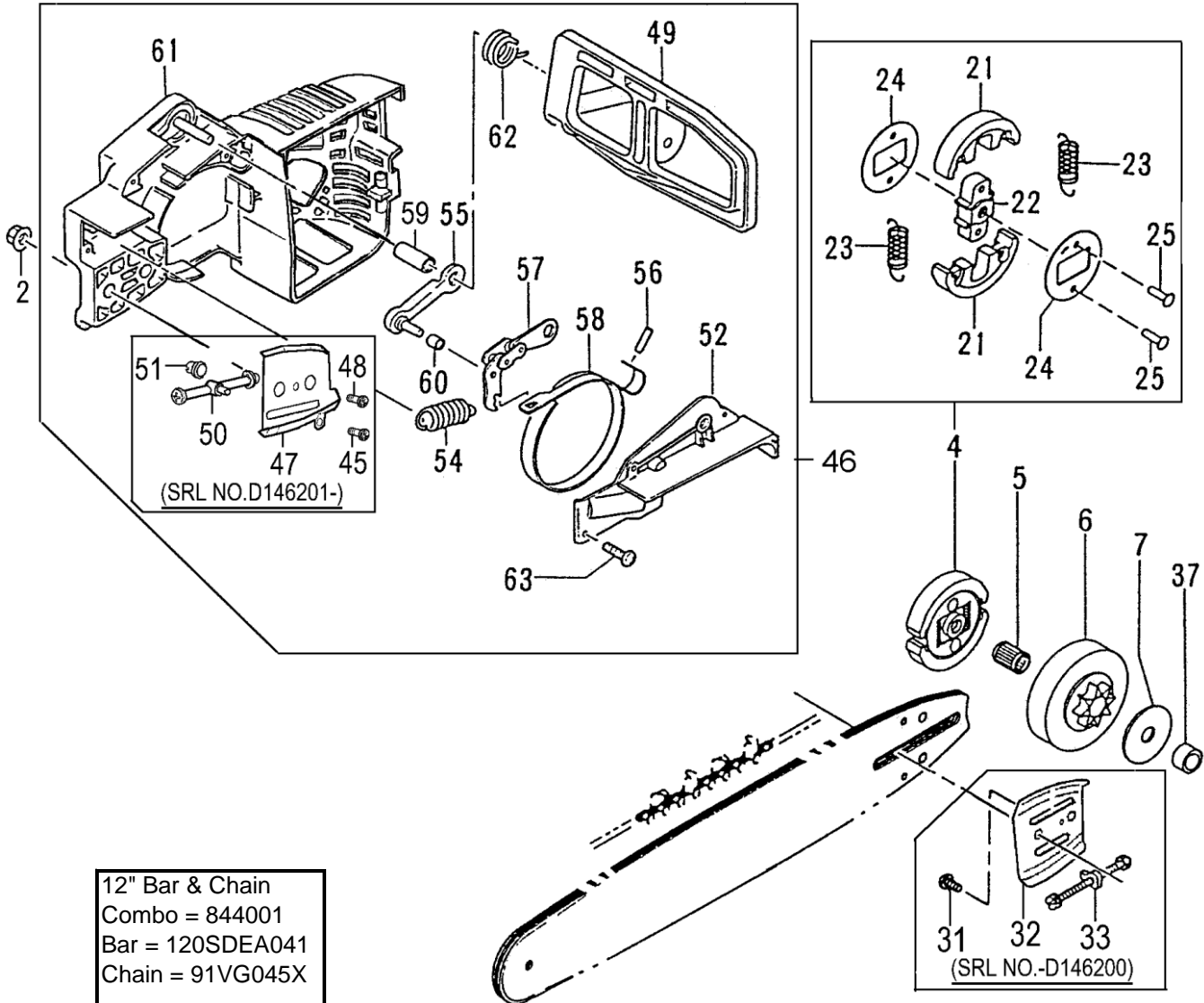


Service Tools

Screw gear inserter
P/N 002.29323.50

Screw gear remover
P/N 007.29326.00 +
042.29329.00

ITEM	PART NUMBER	DESCRIPTION	QTY	COMMENTS
9-8	99416050141	SCREW,5X14/WS	2	
9-11	0973297020	COVER,OIL PUMP	1	
9-12	51532710200	PIPE,OIL,B	1	
9-13	0843290020	GEAR,SCREW	1	
9-14	5670175020	SPONGE,AIR VENT	1	
9-15	1443297090	PUMP,OIL	1	
9-16	4883297020	GROMMET,OIL ADJUSTER	1	
9-17	50132710210	ADJUSTER,OIL PUMP	1	
9-18	99967006000	O-RING,P-6	1	
9-19	0883277A91	SET,OIL PUMP	1	
9-20	99967006000	O-RING,P-6	1	
9-36	99072050144	SCREW,TAPPING,5X14	1	
9-38	70007105020	PIPE,VINYL	1	
9-39	12532710200	CATCHER,CHAIN	1	
9-42	99075045144	SCREW, TAPPING,4X14	2	



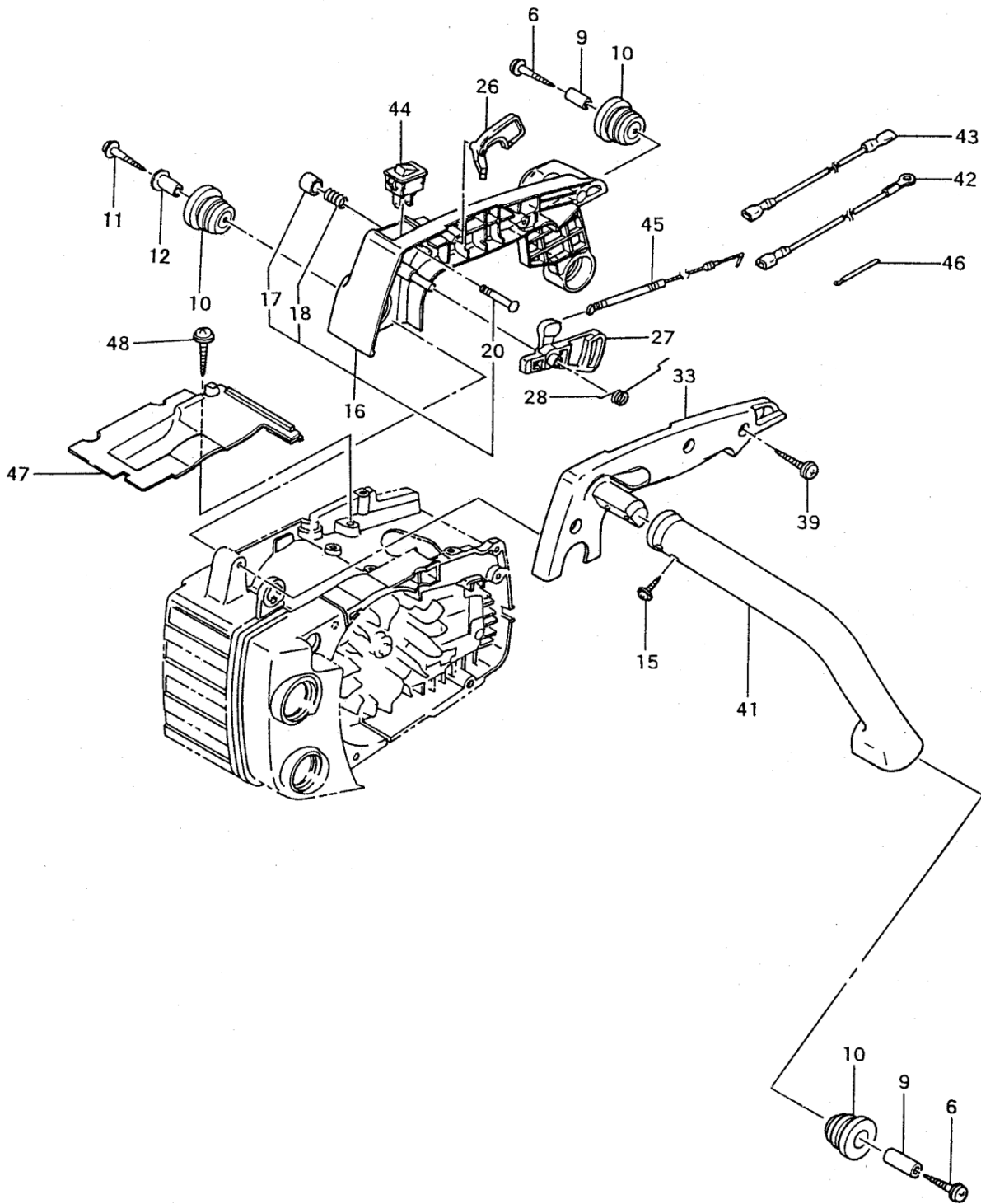
12" Bar & Chain
 Combo = 844001
 Bar = 120SDEA041
 Chain = 91VG045X

14" Bar & Chain
 Combo = 844002
 Bar = 140SDEA041
 Chain = 91VG052X

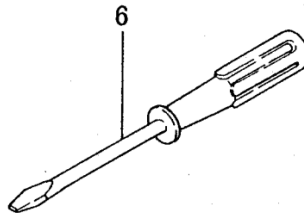
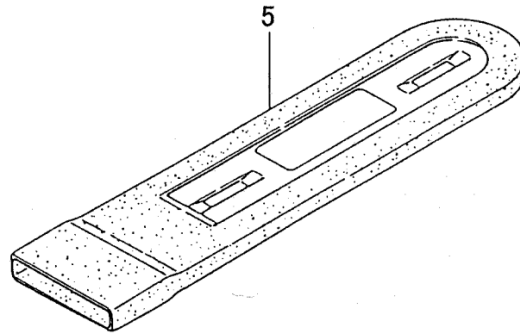
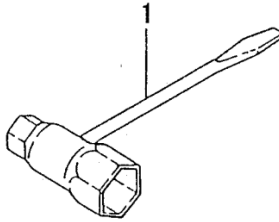
16" Bar & Chain
 Combo = 844004
 Bar = 160SDEA041
 Chain = 91VG057X

Service Tool
Clutch Remover
P/N 037.29327.100

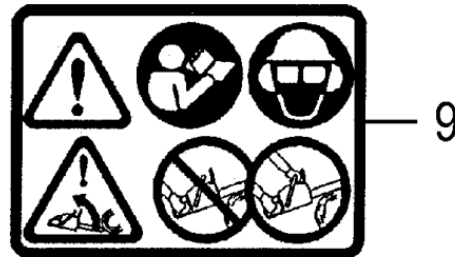
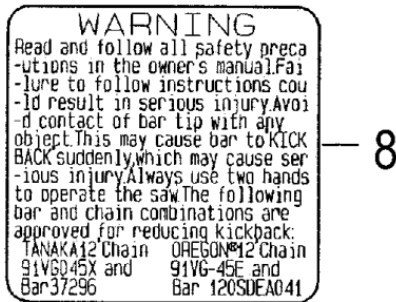
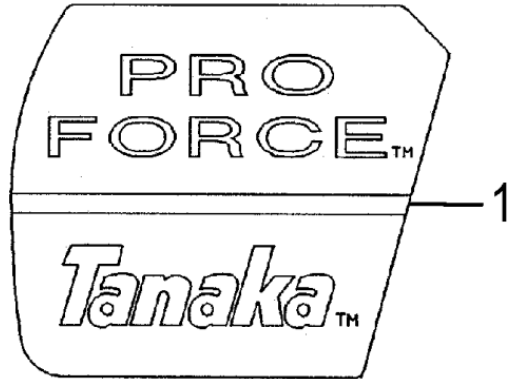
ITEM	PART NUMBER	DESCRIPTION	QTY	COMMENTS
10-2	12132600200	NUT,CLAMP,BAR	2	~D146200
10-2	12132530200	NUT,CLAMP,BAR	2	D146201~
10-4	2870170081	CLUTCH	1	
10-5	99962101301	BEARING,NEEDLE,101310	1	
10-6	31032710200	HOUSING,CLUTCH,3/8"	1	
10-7	35804050201	WASHER,CLUTCH	1	
10-21	34501700200	SHOE,CLUTCH	2	
10-22	34601700200	BOSS,CLUTCH	1	
10-23	34201700200	SPRING,CLUTCH	2	
10-24	3480170021	PLATE,CLUTCH A	2	
10-25	99274004143	RIVET	2	
10-31	99341040101	SCREW,TAPPING,4X10	1	
10-32	4613290820	PLATE,GUIDE	1	
10-33	1163273590	TENSIONER ASSY	1	~D146200
10-37	5113290020	COLLAR,CRANKSHAFT	1	
10-46	0403297090	CASE,SIDE ASSY	1	~D146200
10-46	0403297091	CASE,SIDE ASSY	1	D146201~
10-47	4623291121	PLATE,GUIDE B	1	D146201~
10-48	99330026050	SCREW,2.6x5	1	D146201~
10-49	3653291180	HANDLE,BRAKE	1	
10-50	1163291180	TENSIONER	1	D146201~
10-51	3017200020	GEAR,A	1	D146201~
10-52	3753290021	COVER,BRAKE LINK,BLACK	1	
10-54	3743297020	SPRING,BRAKE	1	
10-55	3863290180	METAL,BRAKE HOLDING	1	
10-56	99905300980	BEARING,NEEDLE	1	
10-57	3793290180	LINK,BRAKE	1	
10-58	3783291R20	BAND,BRAKE	1	
10-59	47010246200	COLLAR	1	
10-60	0313290120	COLLAR	1	
10-61	0393297081	COVER,SIDE	1	
10-62	3883290020	SPRING,BRAKE LEVER	1	
10-63	99341040151	SCREW,4X15	3	



ITEM	PART NUMBER	DESCRIPTION	QTY	COMMENTS
11-6	99073050354	SCREW,TAPPING,5X35	2	
11-9	47010246200	COLLAR	2	
11-10	2443297080	DAMPER,VIBRATION	3	
11-11	99073050404	SCREW,TAPPING,5X40	1	
11-12	2753297020	COLLAR,DAMPER,A	1	
11-15	99073050164	SCREW,TAPPING,5X16	2	
11-16	0113297080	HANDLE,REAR B	1	
11-17	72532161202	CAP,PUSH PIN	1	
11-18	06632300201	SPRING,STOPPER	1	
11-20	06432530200	PIN,PUSH	1	
11-26	2573291020	LEVER,SAFETY	1	
11-27	0603297020	LEVER,THROTTLE	1	
11-28	06132710200	SPRING,THROTTLE LEVER	1	
11-33	0103297020	HANDLE,REAR,A	1	
11-39	99341040151	SCREW,4X15	3	
11-41	2093297020	HANDLE,FRONT	1	
11-42	2740175080	CORD,GROUND	1	
11-43	1780175180	CORD,325L	1	
11-44	1700406380	BUTTON,STOP	1	
11-45	8850175080	WIRE,THROTTLE	1	
11-46	19811600800	R-B 19811660800 CLAMP	1	
11-47	5633297020	SHIELD	1	
11-48	99073045144	SCREW,TAPPING 4.5x14	2	



ITEM	PART NUMBER	DESCRIPTION	QTY	COMMENTS
12-1	88332600200	SPANNER,COMBO	1	~D146200
12-1	01329325400	SPANNER,BOX,10X19	1	D146201~
12-5	94332713200	COVER,BAR	1	
12-6	081293297U	DRIVER,MINUS,4x50	1	



ITEM	PART NUMBER	DESCRIPTION	QTY	COMMENTS
13-1	9503297U20	DECAL,PROFORCE	1	
13-2-2	9063297U20	DECAL,TCS-3401	1	~D146200
13-2	9063297U21	DECAL,TCS-3401S	1	D146201~
13-8	9073297U20	DECAL,WARNING	1	
13-9	9093265320	DECAL,CAUTION A	1	