

# **Tanaka** *Illustrated Parts Manual*

Model Number:

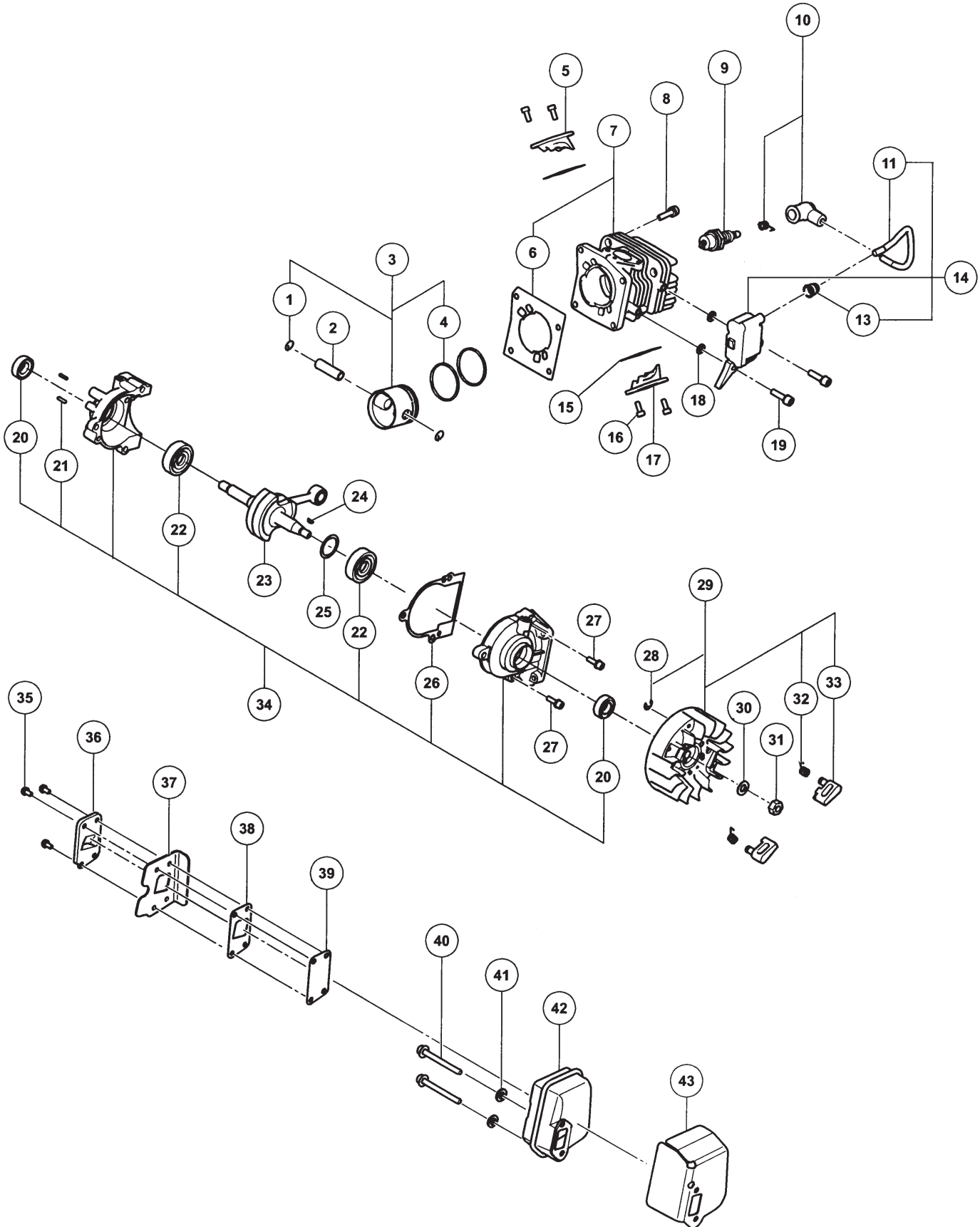
**TCS-3351PFS**

**32cc CHAINSAW**

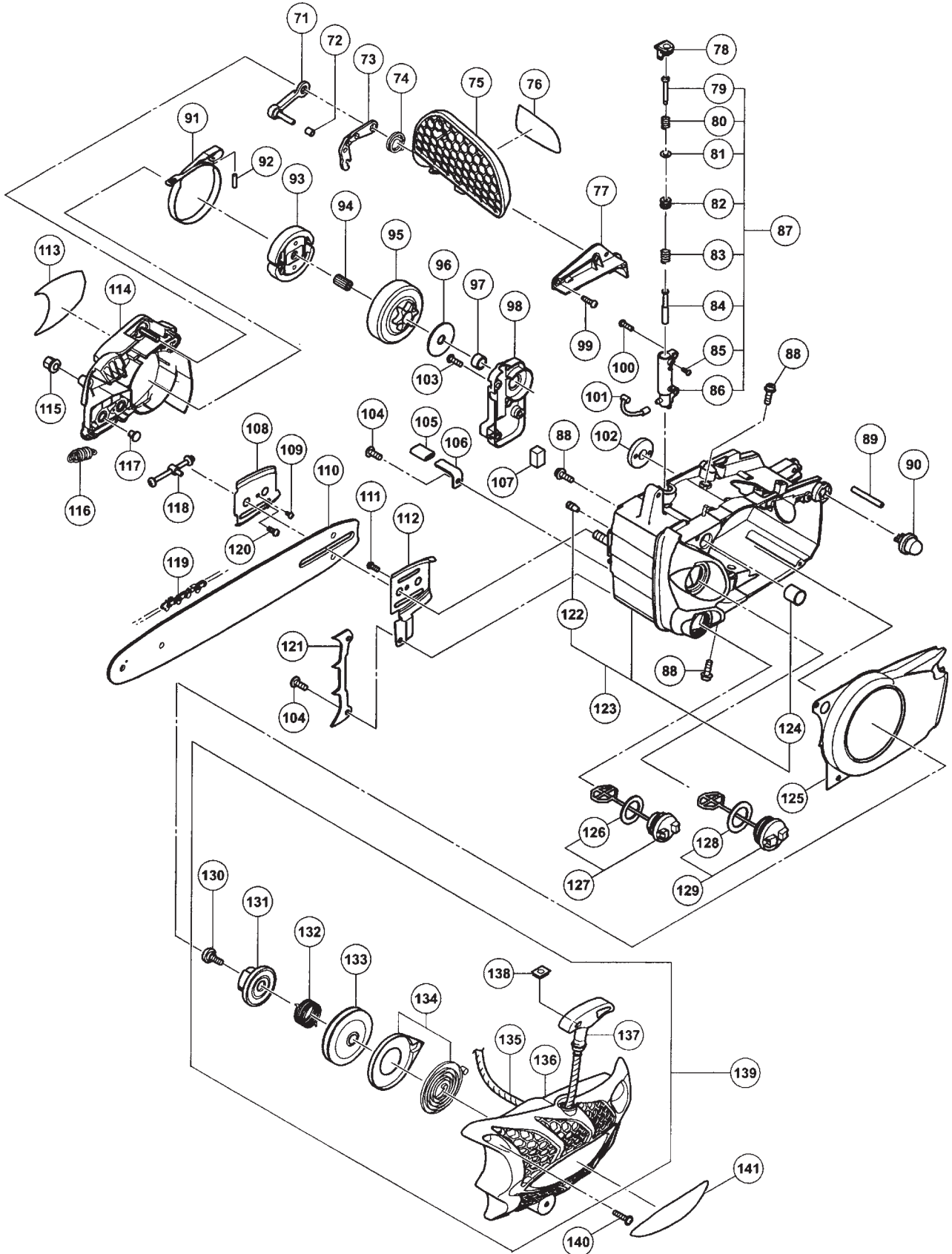
Date 6-20-09



Tanaka Power Equipment • 1028 4<sup>th</sup> Street SW, Bldg B • Auburn, WA 98001 • Phone: (253) 333-1200 • Fax: (253) 333-1212



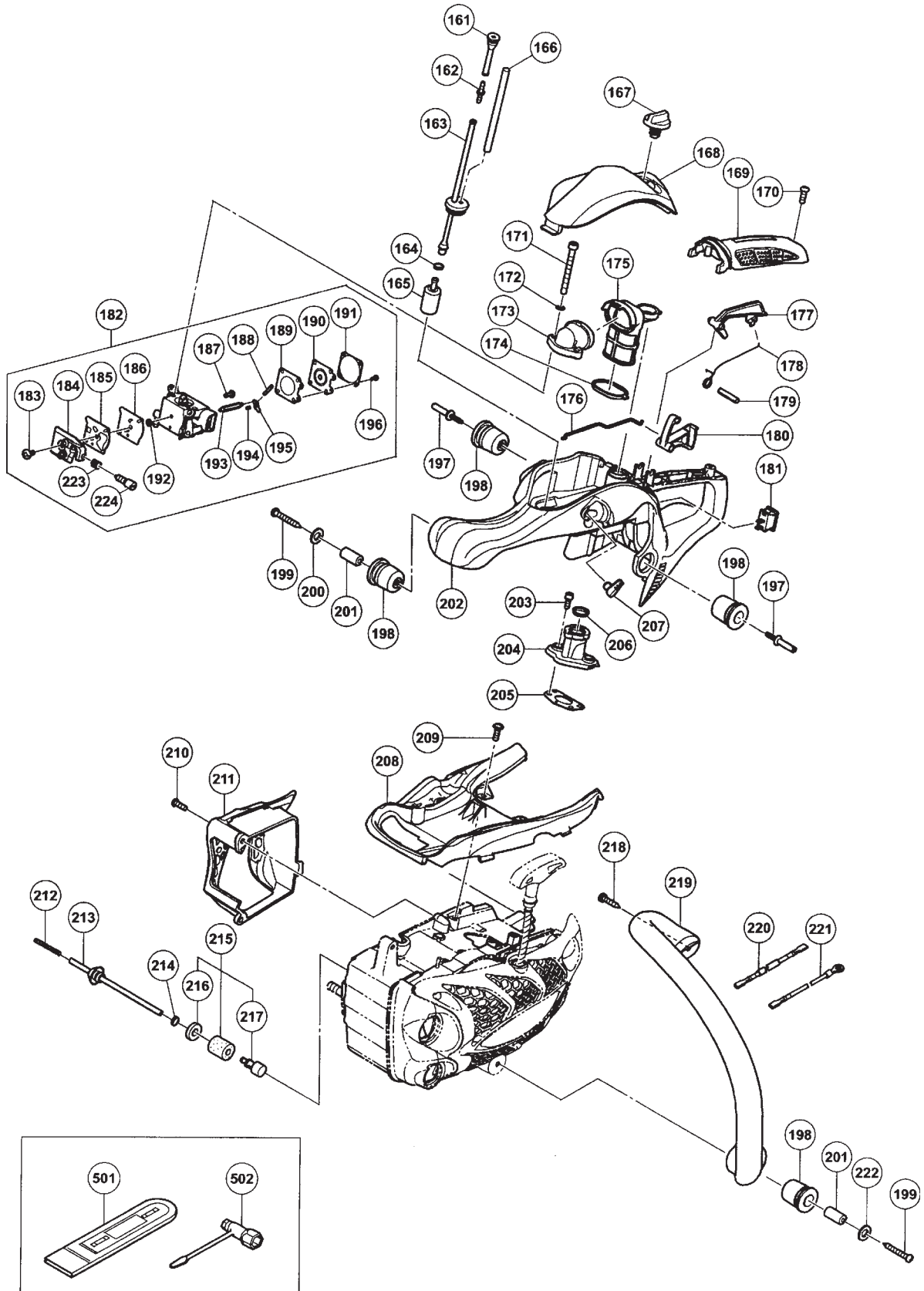
ITEM	PART NUMBER	DESCRIPTION	Qty	COMMENTS
1	03900000201	CIRCLIP	2	
2	6685079	PISTON PIN	1	
3	6685080	PISTON SET	1	Includes rings and circlips (not piston pin)
4	0410173020	PISTON RING	2	
5	6685082	SCAVENGING COVER (B)	1	
6	6685083	CYLINDER GASKET	1	
7	6685084	CYLINDER SET	1	Includes gasket
8	99461050204	BOLT,HEX,HOLE,5X20,S	4	
9	0181166021	PLUG,SPARK	1	
10	6685087	SPARK PLUG CAP ASSY	1	
11	6685088	HIGH TENSION WIRE	1	
13	5602051720	RUBBER CAP	1	
14	6685091	IGNITION COIL	1	
15	6685092	COVER GASKET	2	
16	99051040103	BOLT,HEX.HOLE,4X10	4	
17	6685094	SCAVENGING COVER (A)	1	
18	1820186A20	WASHER	1	
19	99464040184	BOLT,HEX 4x18WS	2	
20	99966122206	SEAL,OIL,#TC12227	2	
21	99905250980	ROLLER,NEEDLE,2.5X9.8	2	
22	99961620106	BEARING,BALL,#6201	2	
23	6685097	CRANKSHAFT	1	
24	06810100200	KEY,WOODRUFF,3X13X4.5	1	
25	0710406323	SHIM,CRANKSHAFT,0.2	V	
25	0710406324	SHIM,CRANKSHAFT,0.3	V	
26	6685100	CRANKCASE GASKET	1	
27	99461050204	BOLT,HEX,HOLE,5X20,S	3	
28	99355040001	RING,STOP	2	
29	1552054490	FLYWHEEL	1	
30	99201070011	WASHER,7	1	
31	06600000200	NUT,FLYWHEEL	1	
32	7900174020	SPRING,STARTER PAWL	2	
33	7880174020	PAWL,STARTER	2	
34	6685107	CRANKCASE ASSY	1	Includes 20-22 and 26
35	99416040101	SCREW,PS,4X10	4	
36	6685110	EXHAUST PIPE	1	
37	6685111	MUFFLER SHIELD	1	
38	6685112	FIXING PLATE,GAUZE	1	
39	6685113	MUFFLER GAUZE	1	
40	99051050503	BOLT,HEX,5X50	2	
41	99201050011	WASHER,5	2	
42	6685115	MUFFLER	1	
43	6685117	MUFFLER GASKET	1	



ITEM	PART NUMBER	DESCRIPTION	Qty	COMMENTS
71	3863290180	METAL,BRAKE HOLDING	1	
72	0313290120	COLLAR	1	
73	3793290180	LINK,BRAKE	1	
74	3883290020	SPRING,BRAKE LEVER	1	
75	6685264	BRAKE HANDLE	1	
76	6685265	DECAL,CAUTION	1	
77	6685126	BRAKE LINK COVER	1	
78	6685127	OIL ADJUST GROMMET	1	
79	6685128	OIL PUMP ADJUSTER	1	
80	6685129	ADJUSTER SPRING	1	
81	99201040011	WASHER,4	1	
82	6685130	OIL PUMP ADJUST CAP	1	
83	6685131	PUMP GEAR SPRING	1	
84	6685132	PUMP GEAR COMP	1	
85	99011030081	SCREW,3X8	1	
86	6685134	OIL PUMP CASE	1	
87	6685135	OIL PUMP CASE ASSY	1	
88	99054050155	SEAL LOCK BOLT M5x15	5	
89	7000250421	PIPE,FUEL,2.5X4X210	1	
90	44225143800	PUMP,PRIMING ASS'Y	1	
91	3783290020	BAND,BRAKE	1	
92	99905300980	BEARING,NEEDLE	1	
93	2870174080	CLUTCH	1	
94	99962101301	BEARING,NEEDLE,101310	1	
95	31032710200	HOUSING,CLUTCH,3/8in	1	
96	35804050201	WASHER,CLUTCH	1	
97	5113290020	COLLAR,CRANKSHAFT	1	
98	6685147	OIL PUMP COVER	1	
99	99341040151	TAPPING SCREW D4x15	3	
100	99414040141	SCREW,4X14/S	2	
101	6685150	OIL PIPE (A)	1	
102	6685151	SCREW GEAR	1	
103	99075045144	SCREW,TAPPING,4X14	3	
104	99073045144	SCREW,TAPPING 4.5x14	3	
105	70007105020	PIPE,VINYL	1	
106	12532710200	CATCHER,CHAIN	1	
107	5670175020	SPONGE,AIR VENT	1	
108	6685157	GUIDE PLATE (B)	1	
109	6685158	TAPPING SCREW D3x8	1	
110	120SDEA041	12" BAR	1	
110	140SDEA041	14" BAR	1	
111	99341040101	SCREW,TAPPING,4X10	1	
112	6685162	GUIDE PLATE (A)	1	
113	6685268	DECAL,CAUTION	1	
114	6685165	SIDE COVER	1	
115	12132530200	NUT,CLAMP,BAR	2	
116	3743290020	SPRING,BRAKE	1	
117	3017200020	GEAR,A	1	
118	1163191180	TENSIONER	1	

### ENGINE CASE, STARTER, CLUTCH, OILER • FIGURE 2

ITEM	PART NUMBER	DESCRIPTION	Qty	COMMENTS
119	91VG045X	CHAIN,12",3/8	1	
119	91VG052X	CHAIN,14",3/8	1	
120	99341040101	SCREW,TAPPING,4X10	1	
121	4603297090	BUCKING SPIKE	1	
122	56204060200	VALVE,AIR VENT,B	1	
123	6685271	ENGINE CASE ASSY	1	Includes 122 and 124
124	6290175090	INNER CAPP ASSY	1	
125	6685176	AIR DEFLECTOR	1	
126	5233252K20	GASKET,OIL TANK CAP	1	
127	6423252K90	CAP,OIL TANK ASSY	1	
128	6303252K20	GASKET,TANK CAP	1	
129	6685180	TANK CAP ASSY	1	
130	8390304520	SCREW,SET	1	
131	7590174M20	PLATE,CAM	1	
132	7580176120	SPRING	1	
133	7740176120	PULLEY,STARTER	1	
134	7780176190	SPRING,STARTER	1	
135	7830176120	ROPE,STARTER	1	
136	6685187	FAN CASE	1	
137	7850176120	HANDLE,STARTER	1	
138	7950406320	STOPPER,ROPE	1	
139	6685190	STARTER ASSY	1	Includes 130-138
140	99072045204	SCREW,TAPPING,4.5X20	4	
141	6685192	DECAL	1	





ITEM	PART NUMBER	DESCRIPTION	Qty	COMMENTS
161	6685272	RUBBER PIPE	1	
162	4973297020	PIPE JOINT	1	
163	6685197	SHIELD TUBE ASSY	1	
164	6685198	CLIP	1	
165	6750404280	FILTER,FUEL	1	
166	6685200	PIPE,FUEL,2.5X4X260	1	
167	6685228	CLEANER KNOB	1	
168	6685273	AIR FILTER COVER	1	
169	6685274	REAR HANDLE GRIP	1	
170	99072050144	TAPPING SCREW D5x14	1	
171	99051050503	BOLT,HEX,5X50	2	
172	99200050061	WASHER,SMALL,5	2	
173	6685276	AIR FILTER BASE	1	
174	6685277	CLEANER CAP	1	
175	6685278	AIR FILTER	1	
176	6685279	THROTTLE ROD	1	
177	6685280	TRIGGER LOCKOUT	1	
178	6685281	THROTTLE LEVER SPRING	1	
179	99326005254	PIN,SPRING,5X25	1	
180	6685283	THROTTLE LEVER	1	
181	1700406380	STOP SWITCH	1	
182	6685284	CARBURETOR SET	1	INCLUDES 183-196, 223 and 224
183	51425001200	SCREW,SET	1	
184	57525028200	PUMP BODY	1	
185	57725007200	PUMP GASKET	1	
186	57625006200	PUMP DIAPHRAGM	1	
187	54625001200	HINGE PIN SET SCREW	1	
188	60525001200	HINGE PIN	1	
189	4752503820	DIAPHRAGM GASKET	1	
190	6684690	METERING DIAPHRAGM	1	
191	47625004200	DIAPHRAGM COVER	1	
192	57825007200	INLET SCREEN	1	
193	6032501220	NEEDLE VALVE	1	
194	6685216	VALVE SPRING	1	
195	47325001200	CONTROL LEVER	1	
196	54825012200	SET SCREW	4	
197	6685286	ANTI-VIBE CUSHION BOLT	2	
198	6685236	ANTI-VIBE CUSHION	4	
199	6685233	TAPPING SCREW D5x45	2	
200	6685287	WASHER	1	
201	6685235	COLLAR	2	
202	6685288	REAR HANDLE (A)	1	
203	99461040124	BOLT,HEX,4X12	2	
204	6685289	INTAKE	1	
205	6685205	INTAKE GASKET	1	
206	6685290	INLET MANIFOLD RING	1	
207	6685206	CHOKE LEVER	1	
208	6685291	ENGINE CASE COVER	1	
209	99073045144	TAPPING SCREW D4.5x14	4	



ITEM	PART NUMBER	DESCRIPTION	Qty	COMMENTS
210	99075014144	TAPPING SCREW D4.5x15	2	
211	6685245	MUFFLER COVER	1	
212	51211600200	PROTECTIVE COIL	1	
213	2230650090	PIPE,FUEL,3X5X130	1	
214	6685198	CLIP	1	
215	4863271090	OIL FILTER ASSY	1	Includes 216 and 217
216	99201050011	WASHER 5	1	
217	48632710200	OIL FILTER BODY	1	
218	302089	TAPPING SCREW W/FLANGE D5x20	2	
219	6685292	FRONT HANDLE	1	
220	6685293	WIRE,195mm	1	
221	2740175080	WIRE,180mm	1	
222	6685234	WASHER	1	
223	46325006200	IDLE ADJUST SPRING	1	
224	46225016200	IDLE ADJUST SCREW	1	
501	94332713200	BAR COVER,12"	1	
501	6685256	BAR COVER,14"	1	
502	01329325400	SPANNER,BOX,10X19	1	