

# **Tanaka** Illustrated Parts Manual

Model Number:

**TC-2300**

**UTILITY / SCOOTER ENGINE**

P/N 39674

Rev 000

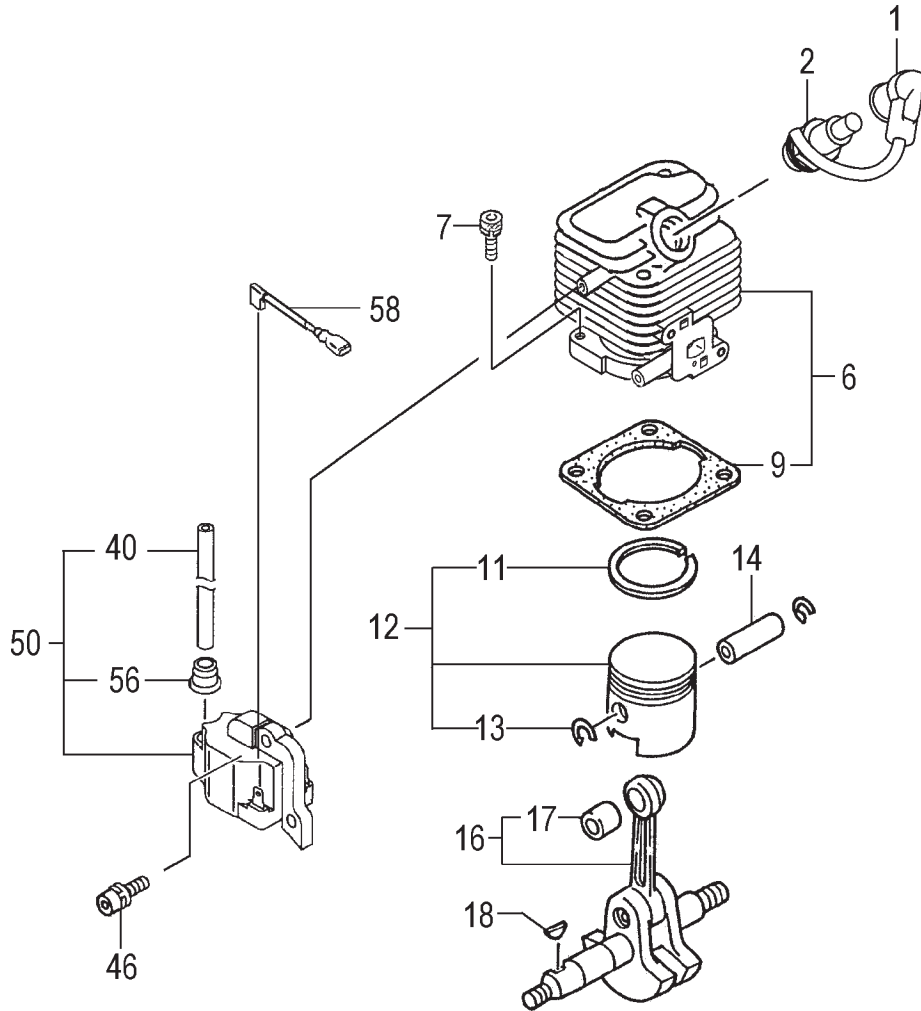
Date 01-11-05



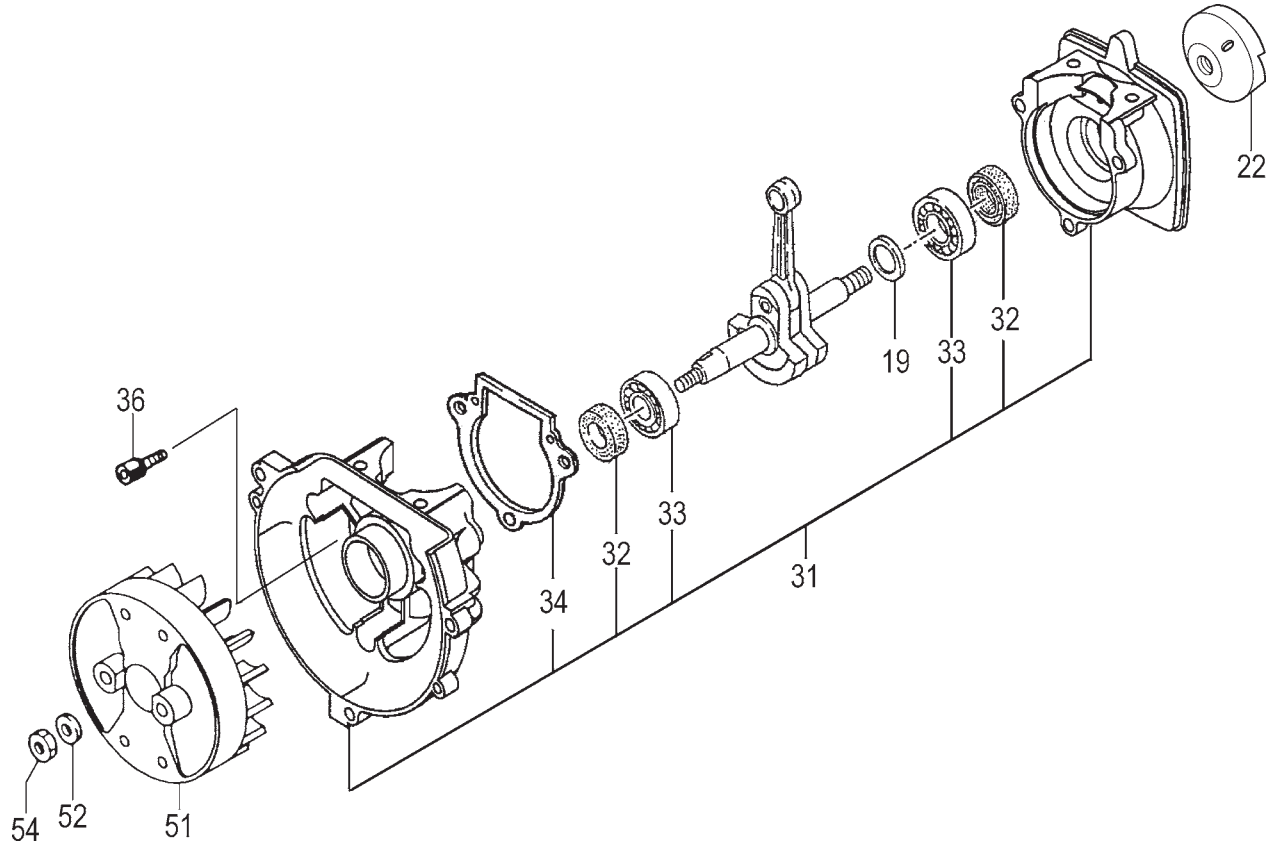
*Supplier To The Outdoor Power Equipment Industry*

ISM, Inc. • 1028 4<sup>th</sup> Street SW, Ste "B" • Auburn, WA 98001 • Phone: (253) 333-1200 • Fax: (253) 333-1212

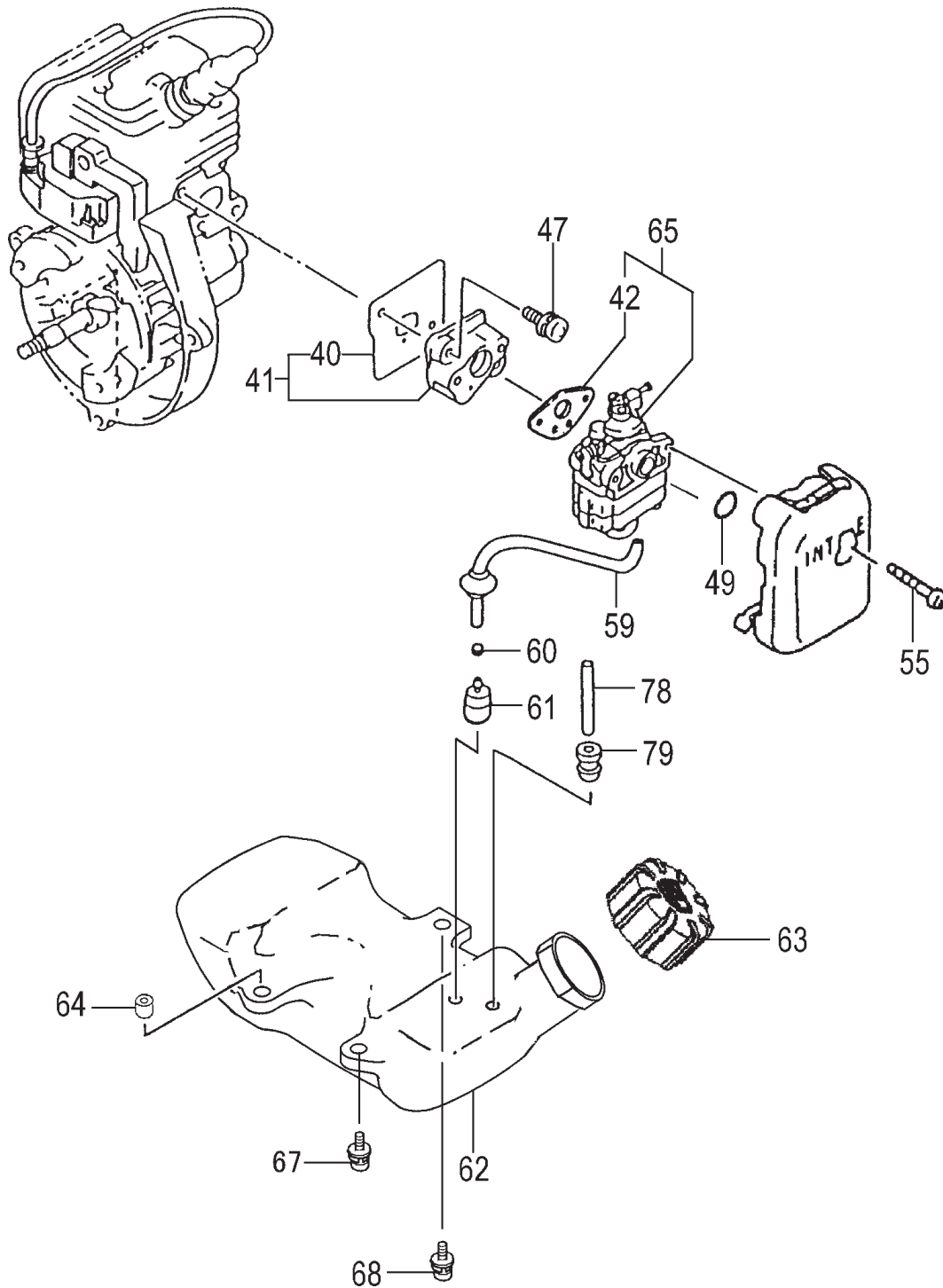
### CYLINDER, PISTON, CRANKSHAFT, IGNITION • FIGURE 1



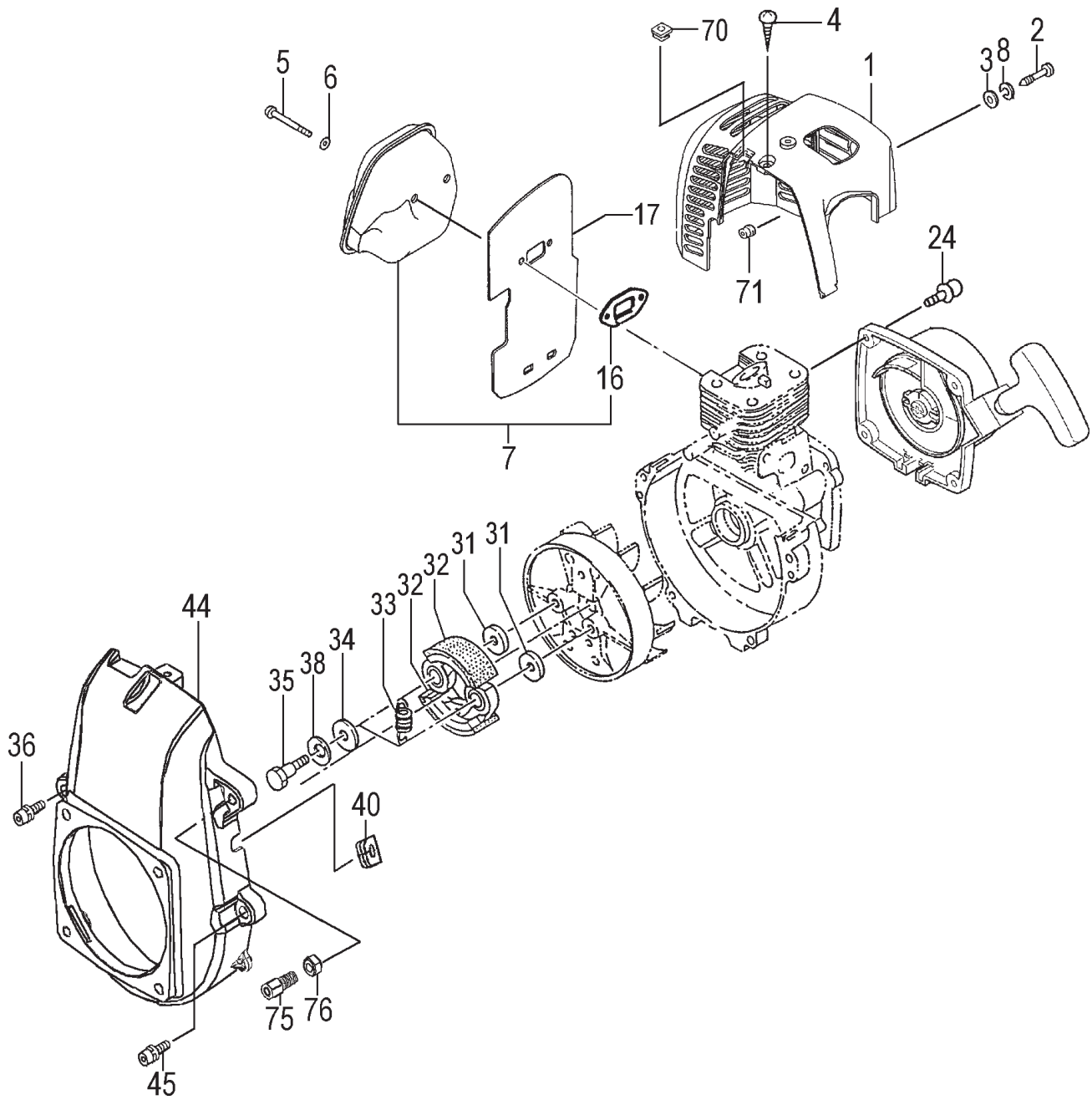
ITEM	PART NUMBER	DESCRIPTION	QTY	COMMENTS
1-1	15701570900	CAP, SPARK PLUG, ASSEMBLY	1	
1-2	0181166021	PLUG, SPARK	1	
1-6	0010715790	CYLINDER SET	1	Includes gasket
1-7	99461050184	BOLT, HEX, 5X18, S	2	
1-9	0170715720	GASKET, CYLINDER	1	
1-11	04100601210	RING, PISTON	1	
1-12	0300007090	PISTON SET	1	
1-13	03901620200	CIRCLIP	2	
1-14	03706500200	PIN, PISTON	1	
1-16	0460713080	CRANKSHAFT	1	~B001000
1-16	0460713081	CRANKSHAFT	1	B001001~
1-17	99962081277	BEARING, NEEDLE, HK0810B	1	
1-18	06810100200	KEY, WOODRUFF, 3X13X4.5	1	~B001000
1-40	1782054620	CORD B	1	
1-46	99463040154	BOLT, HEX, 4X15, PS	2	
1-50	1672054691	COIL, IGNITION	1	
1-56	56020517200	CAP, RUBBER	1	
1-58	1780136M800	CORD, STOP	1	



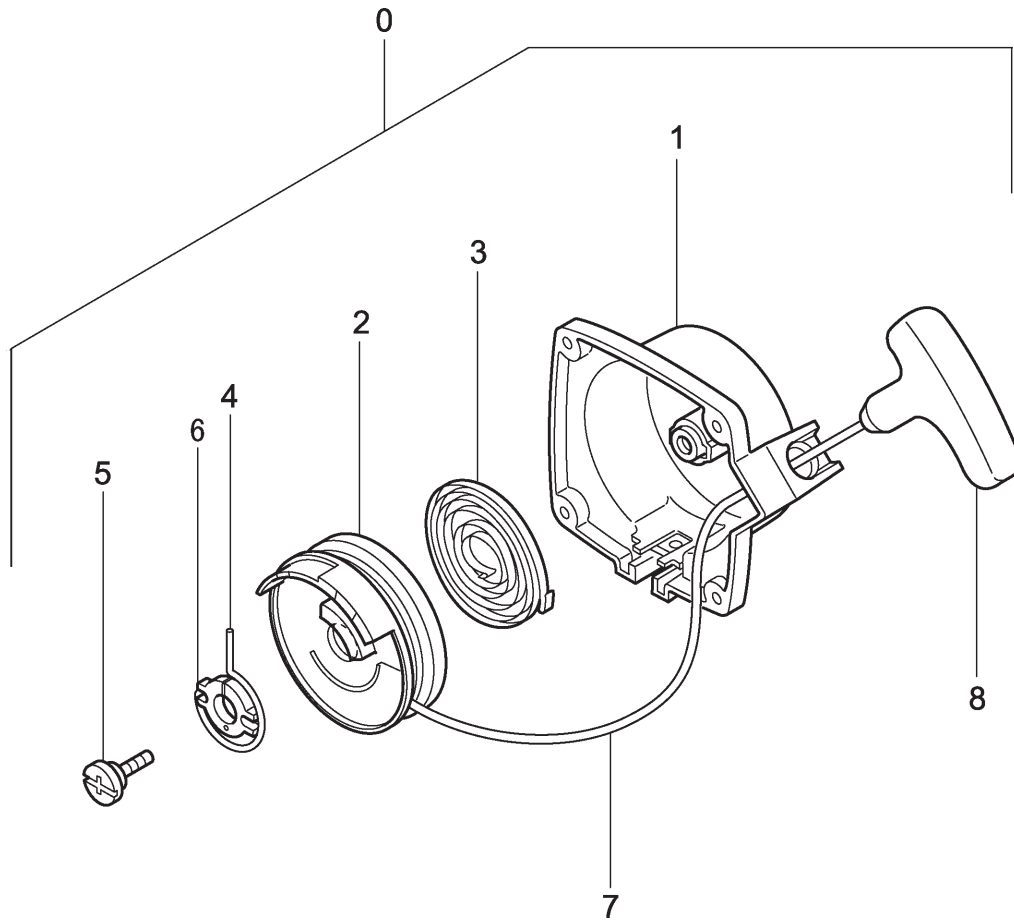
ITEM	PART NUMBER	DESCRIPTION	QTY	COMMENTS
2-19	33000200210	SHIM,12.2X19X.10	1	
2-19	33000200220	SHIM,12.2X19X.15	1	
2-19	33000200230	SHIM,12.2X19X.20	1	
2-19	33000200240	SHIM,12.2X19X.30	1	
2-22	7980304520	PULLEY,STARTER	1	
2-31	0720712090	CRANKCASE ASSY	1	~A305000
2-31	0720712092	CRANKCASE ASSY	1	A305001~
2-32	99966122240	SEAL,OIL,#12227	2	
2-33	99961600115	BEARING,BALL,6001 C3	2	
2-34	0900641020	GASKET,CRANKCASE	1	
2-36	99461050184	BOLT,HEX,5X18,S	3	
2-51	1552055080	ROTOR,MAGNETO	1	~B001000
2-51	1552055081	ROTOR,MAGNETO	1	B001001~
2-52	99201080011	WASHER,8	1	
2-54	99101080011	NUT,8	1	



ITEM	PART NUMBER	DESCRIPTION	QTY	COMMENTS
3-40	4030631A20	GASKET,INLET MANIFOLD	1	
3-41	4040099F90	SET,CARB INSULATOR	1	
3-42	4020602K21	GASKET,CARBURETOR	1	
3-47	99464050224	BOLT,HEX,5X22,WS	2	
3-49	99967015000	O-RING,P15	1	
3-55	99416050601	SCREW,5x60WS	2	
3-59	2230700090	FUEL PIPE ASSY	1	
3-60	68000731201	CLIP 6.3	1	
3-61	6750404280	FILTER,FUEL	1	
3-62	5910712021	TANK,FUEL	1	
3-63	5950300290	CAP,TANK (BLACK/RED)	1	
3-64	65900801200	COLLAR	3	
3-65	4550714290	CARBURETOR ASSY	1	
3-67	99463050164	BOLT,HEX,5X16,PS	2	
3-68	99463050205	BOLT,HEX,5X20PS	1	
3-78	7000300508	PIPE,FUEL,3X5X85	1	
3-79	53432710200	GROMMET,FUEL PIPE	1	

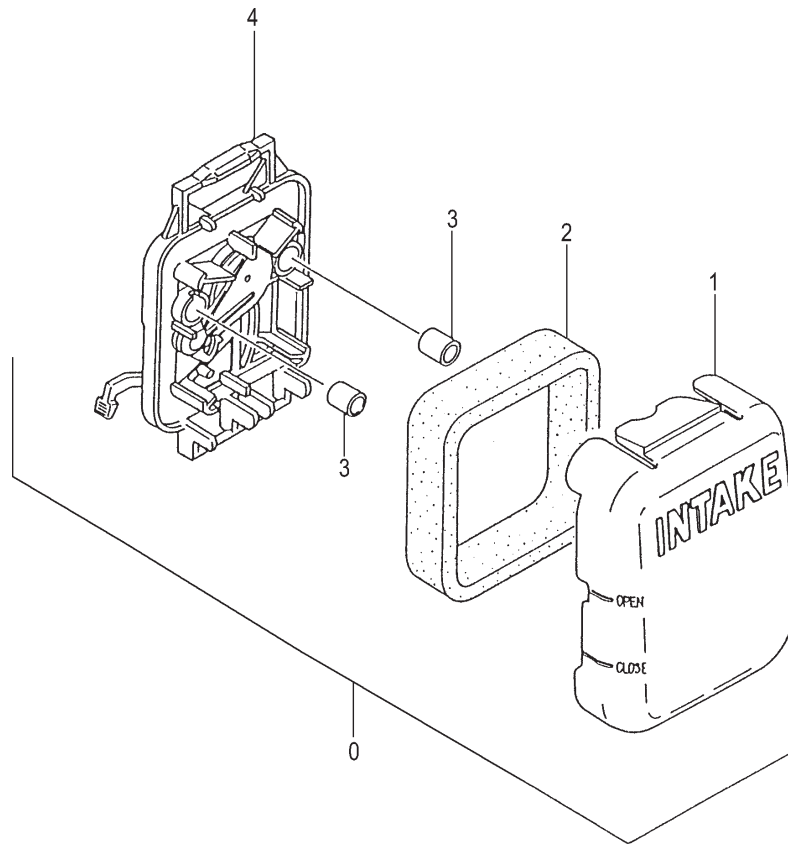


ITEM	PART NUMBER	DESCRIPTION	QTY	COMMENTS
4-1	7380654122	PROTECTOR,MUFFLER	1	
4-2	3800641020	SCREW,COVER	1	~A305000
4-2	99415040151	SCREW,4X15PS	1	A305001~
4-3	99201040061	WASHER,4	1	~A305000
4-4	99463040154	BOLT,HEX,4X15,PS	1	
4-5	99051050503	BOLT,HEX,5X50	2	
4-6	99201050061	WASHER,5	2	
4-7	7040700190	MUFFLER SET	1	
4-8	99210040062	WASHER,SPRING 4	1	~A305000
4-16	7370700020	GASKET,MUFFLER	1	
4-17	1330654020	SHIELD,HEAT	1	
4-24	99463040154	BOLT,HEX,4X15,PS	4	
4-31	35902103200	WASHER,CLUTCH,B	2	
4-32	2900641080	SHOE,CLUTCH	2	
4-33	3420630B200	SPRING,CLUTCH	1	
4-34	3480602R200	WASHER,CLUTCH A	2	
4-35	3570075T200	BOLT,STEP	2	
4-36	99464050184	BOLT,HEX,5X18,WS	2	
4-38	99205080030	WASHER,8	2	
4-40	20306000200	GROMMET,PRIMARY CORD	1	
4-44	1120715720	CASE,FAN	1	
4-45	99464050304	BOLT,HEX,5X30,WS	1	
4-70	20210200201	GROMMET,SECONDARY CORD	1	
4-71	0110641020	COVER,COLLAR	1	~A305000
4-75	61425137200	ADJUSTER,CABLE	1	
4-76	99101060013	NUT,6	1	

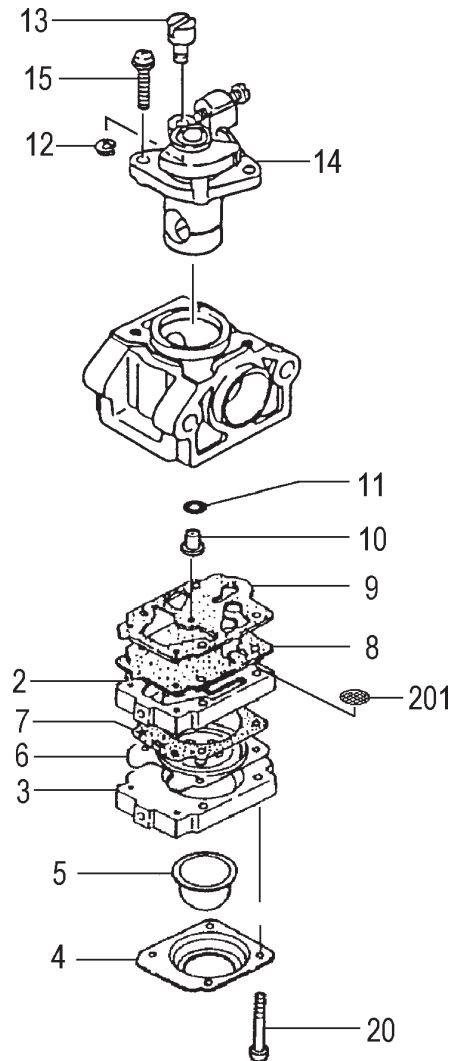


ITEM	PART NUMBER	DESCRIPTION	QTY	COMMENTS
5-0	7620304590	STARTER ASS'Y	1	
5-1	7720304580	BODY, STARTER	1	
5-2	7740304520	PULLEY, STARTER	1	
5-3	7790304520	SPRING, RECOIL	1	
5-4	7770304520	ARM, SWING	1	
5-5	8390304520	SCREW, SET	1	
5-6	7710304520	STAY, PULLEY	1	
5-7	7830304520	ROPE, STARTER	1	
5-8	7850304520	HANDLE, STARTER	1	

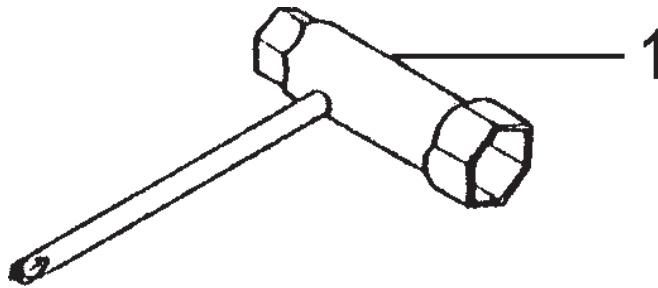




ITEM	PART NUMBER	DESCRIPTION	QTY	COMMENTS
6-0	41000025900	CLEANER,AIR ASS'Y	1	
6-1	42400025200	CAP,AIR CLEANER	1	
6-2	44600025200	ELEMENT,CLEANER	1	
6-3	47000025200	COLLAR	2	
6-4	42300025800	BODY,CLEANER,AIR	1	



ITEM	PART NUMBER	DESCRIPTION	QTY	COMMENTS
7-2	5752515380	BODY,PUMP	1	
7-3	4422515180	PUMP,PRIMING	1	
7-4	4762515120	COVER,DIAPHRAGM	1	
7-5	44725108200	BULB,PRIMING	1	
7-6	~ ~ ~	METERING DIAPHRAGM	1	~ Contained in Carb Repair Kit
7-7	~ ~ ~	GASKET,DIAPHRAGM	1	P/N 650.25140.90
7-8	~ ~ ~	DIAPHRAGM,PUMP	1	(not available individually)
7-9	~ ~ ~	GASKET,PUMP	1	
7-10	5992000W40	JET,MAIN #40	1	
7-11	55025100200	O-RING	1	
7-12	48925100200	RING,STOP	1	
7-13	53925120200	SWIVEL	1	
7-14	48825145800	VALVE,THROTTLE	1	
7-15	54825140200	SCREW,THROTTLE SET	2	
7-20	5482515120	SCREW,SET	4	
7-201	57825007200	SCREEN,INLET	1	



ITEM	PART NUMBER	DESCRIPTION	QTY	COMMENTS
8-1	8262000080	SPANNER,COMBI,17X19	1	