



BOSCH

Drill

TBM 1000 | 3 601 AA9 080

Table of Content

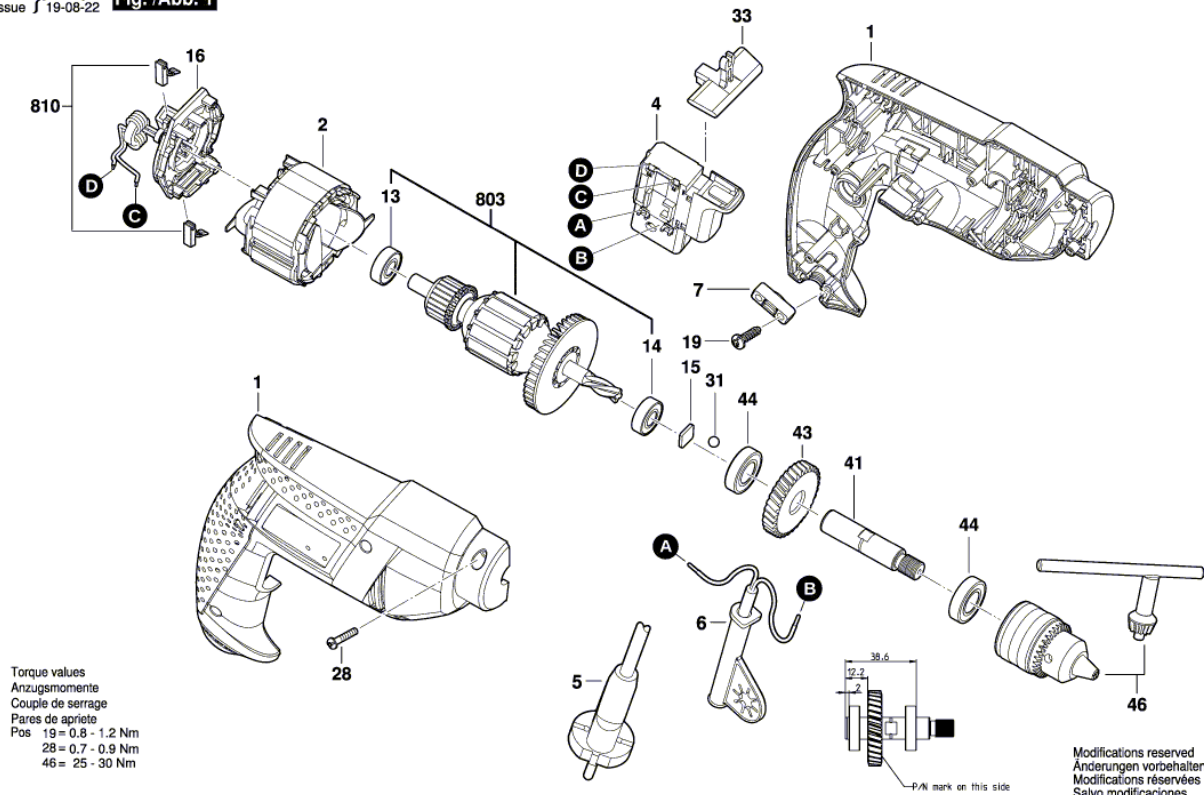
| | |
|--------------------------|---|
| Spare parts list..... | 2 |
| Illustration - Type..... | 3 |

Spare parts list

| Item | Part Number | Description |
|------|---------------|---|
| 1 | 1 619 P11 352 | Housing Section |
| 2 | 1 619 P20 885 | Field |
| 4 | 2 607 200 623 | Switch |
| 5 | 1 604 460 274 | Power supply cord CN 220V 2,15m 2 x 1,0mm H05VV-F |
| 6 | 2 600 707 059 | Grommet Ø6,9 MM |
| 7 | 2 601 035 001 | Cable Clip |
| 13 | 1 619 P06 024 | Ball Bearing |
| 15 | 2 609 110 019 | Pressure Plate |
| 16 | 1 619 P20 066 | Brush Holder |
| 19 | 1 619 P00 228 | Screw |
| 28 | 1 619 P00 219 | Tapping Screw |
| 31 | 1 903 230 009 | Ball DIN 5401-5 G28 |
| 33 | 1 619 P20 250 | Adjusting Slide |
| 41 | 1 619 P10 887 | Drilling Spindle |
| 43 | 1 619 P10 888 | Cylindrical Gear |
| 44 | 1 619 X07 256 | Ball Bearing |
| 46 | 1 608 571 079 | Chuck Ø1,0-10 MM, 3/8" |
| 803 | 1 619 P20 267 | Armature set |
| 810 | 1 619 P20 086 | Carbon-Brush Set |

Illustration - Type - E

3 601 AA9 080
 Stand } 15-83
 Issue } 19-08-22 **Fig. /Abb. 1**



Torque values
 Anzugsmomente
 Couple de serrage
 Paires de apriete
 Pos 19 = 0.8 - 1.2 Nm
 28 = 0.7 - 0.9 Nm
 46 = 25 - 30 Nm

Modifications reserved
 Änderungen vorbehalten
 Modifications réservées
 Salvo modificaciones