



**BOSCH**

# Rotary Hammer

TBH 2000 RE | 3 611 B5A 381

---

## Table of Content

Spare parts list.....	2
Illustration - Type.....	4

Spare parts list

Item	Part Number	Description
2	1 619 P08 306	Field 230V
3/3/6	2 606 610 097	Fan
3/66	1 900 905 029	Ball Bearing 8x22x7
3/67	1 610 905 047	groove ball bearing
3/68	1 600 100 037	Plain Washer
4	1 617 200 542	Switch
5	1 614 460 090	Power supply cord CN 4,15m 2 x 1,0mm H07 RN-F
6	2 600 703 018	Grommet Ø7,3-Ø8,6x76 MM
7	1 611 035 007	Cable Clip
12	1 617 328 032	Suppression Filter
14	1 615 806 187	Bearing Bracket
15	2 603 100 056	Damping rubber
17	1 610 290 108	O-Ring
19	1 610 210 184	O-Ring 22,0x2,5 MM
20	1 612 026 151	Clamp Handle BLACK
20/2	1 614 690 009	Driver Pin
20/3	1 612 026 035	Switch Button RED
20/4	1 610 210 046	O-Ring 10,5x2,7 MM
20/5	1 614 611 006	Compression Spring
26	1 618 700 083	Hammer Piston
27	1 618 710 085	Striker
29	1 613 100 034	Piston Pin
37	1 610 100 016	Guide Disc
45	1 611 016 003	Holding Plate
47	1 619 P09 954	Plain bearing
51	1 610 021 004	Shift Plate
52	1 610 021 006	Shift Plate
54	1 613 023 005	Guide Rod
55	1 610 508 052	Protective Cap
60	1 614 601 077	Spring retaining ring
63	1 903 230 013	Ball DIN 5401-Ø7MM-III-ST
65	1 619 P09 814	O-Ring
69	1 613 231 030	Change-Over Switch
71	2 603 490 023	Torx Oval-Head Screw 4x20

Spare parts list

Item	Part Number	Description
72	1 619 P09 645	Torx Oval-Head Screw
73	1 619 P00 220	Torx Oval-Head Screw 3x10
74	1 619 P00 219	Tapping Screw
75	1 614 643 025	Compression Spring
77	1 619 P09 722	Shaft Seal
801	1 619 P10 313	Motor Housing
803	1 619 P09 817	Armature 220V
816	1 619 P01 777	Carbon-Brush Set
818	1 619 P09 616	Intermediate Flange
821	1 619 P09 617	Hammer Pipe
821/211	1 619 P09 815	Hammer Pipe
821/28	1 613 124 084	Striker Pin
821/31	1 619 P09 816	Retaining ring
821/32	1 610 508 051	Rubber Bushing
821/36	1 610 551 008	Holding Plate
821/38	1 616 317 084	Cylindrical Gear
821/39	1 614 601 055	Retaining ring
821/40	1 613 100 032	Straight Pin
821/41	1 610 102 072	Ratchet Disc
821/44	1 610 102 092	Friction Washer
821/46	1 614 630 003	Compression Spring
821/50	1 619 P11 562	Guide Bushing
824	1 619 P09 619	Jack Shaft
843	1 619 P09 620	Gear Housing
847	1 600 A00 13U	Plain bearing
856	1 617 000 6D3	Protection Sleeve
870	1 619 P01 776	Connecting Cable
651	1 613 001 009	Depth-Gauge SW 6x210 MM
822	1 602 025 08X	Auxiliary Handle
822/120	1 602 025 07H	Auxiliary Handle
822/124	1 611 316 021	Clamping Band Ø50 MM
822/125	1 613 490 002	T-Head Bolt M8x40 MM
822/802	1 617 000 475	Support clamp
892	1 615 430 020	Grease Tube 225 ML
893	1 615 430 001	Grease Tube 225 ML

Illustration - Type - E

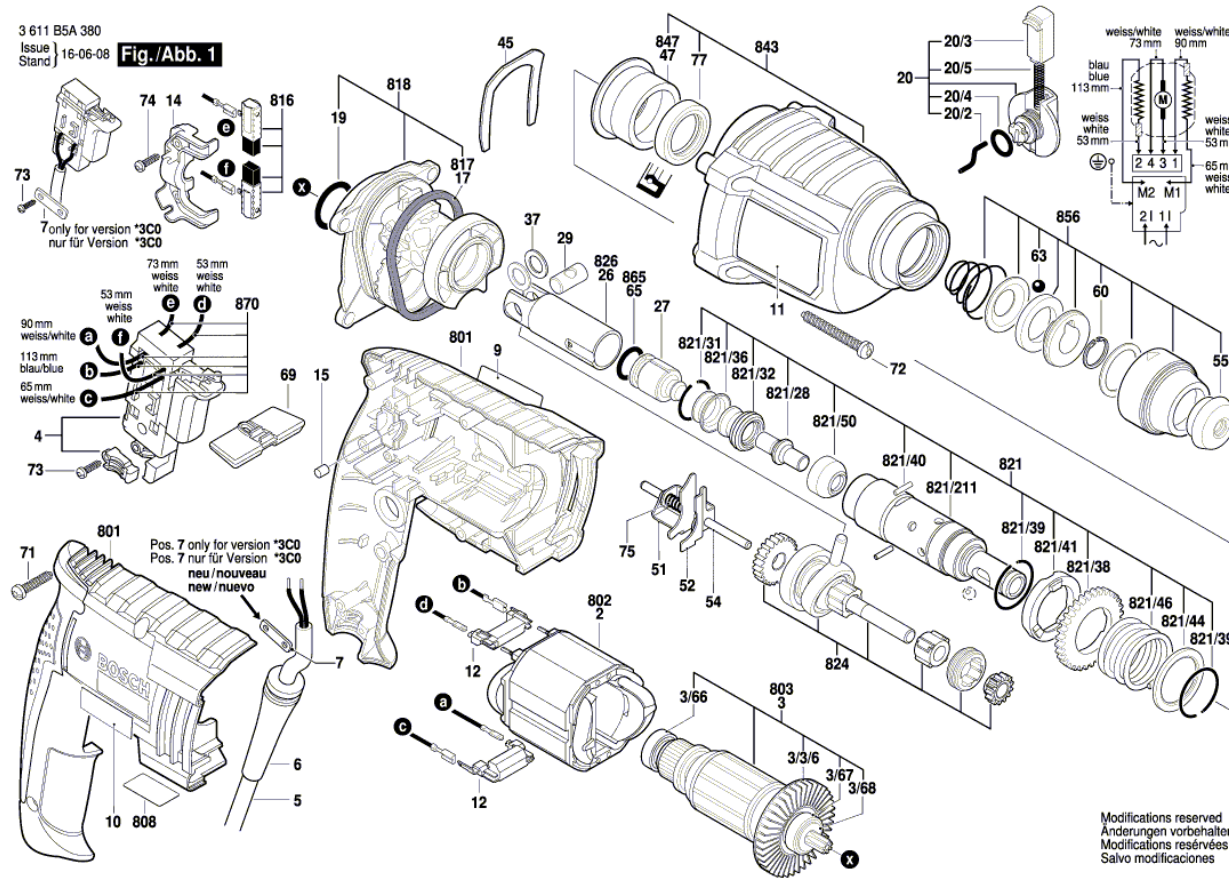
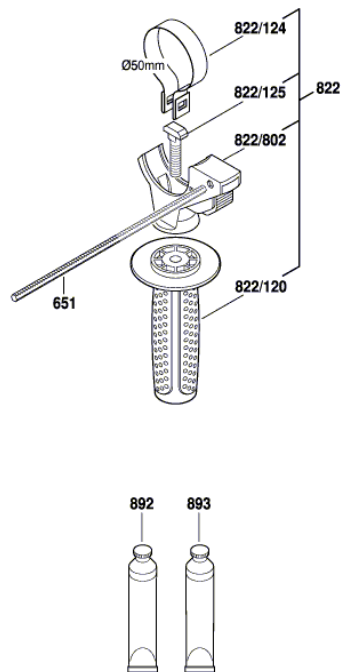


Illustration - Type - E

3 611 B5A 380  
Issue |  
Stand | 14-04-16 **Fig./Abb. 2**



Modifications reserved  
Änderungen vorbehalten  
Modifications réservées  
Salvo modificaciones