

***Tanaka***

---

**Parts Catalog**

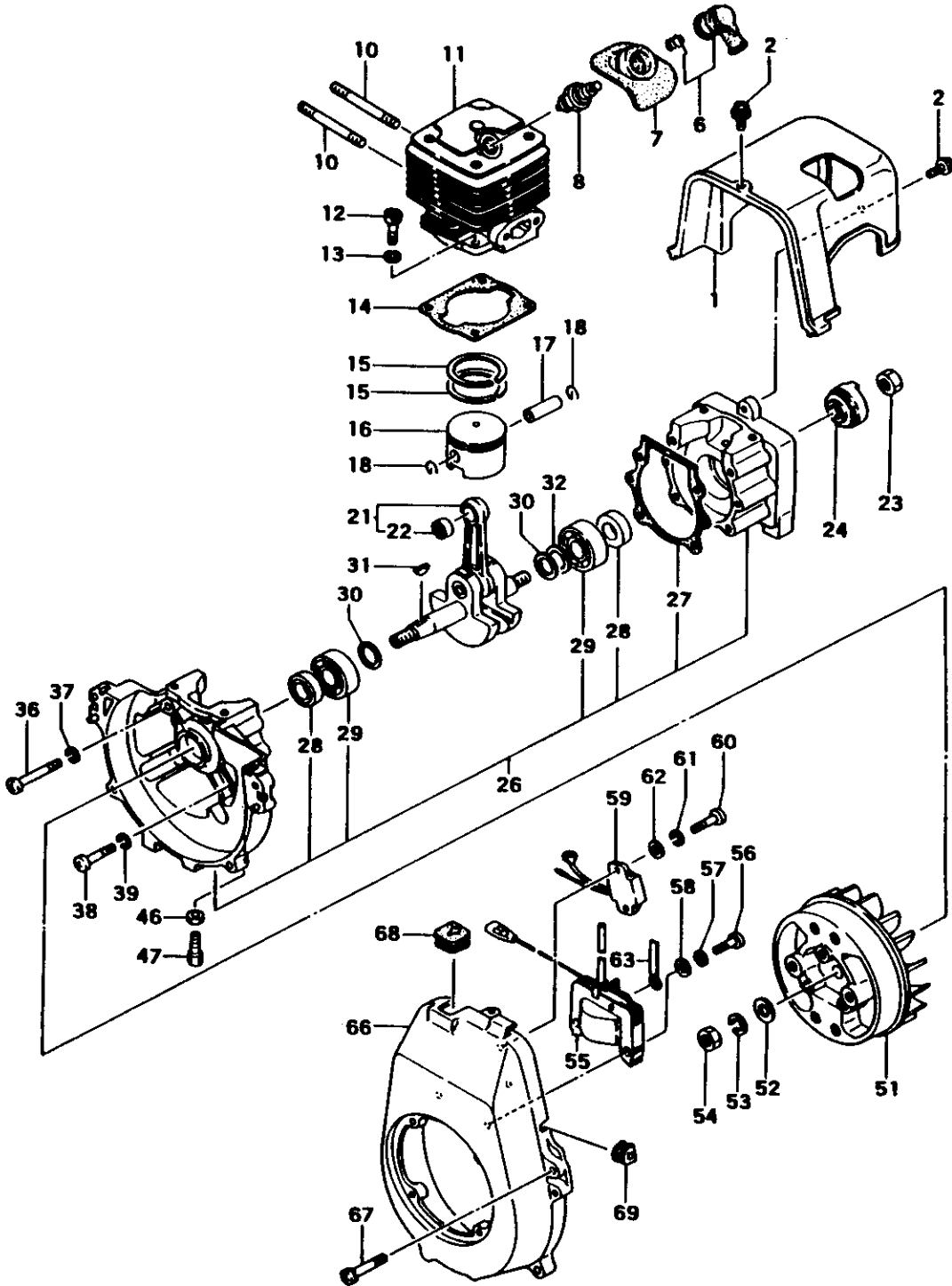


**Brushcutter**

**Model: TBC-425**

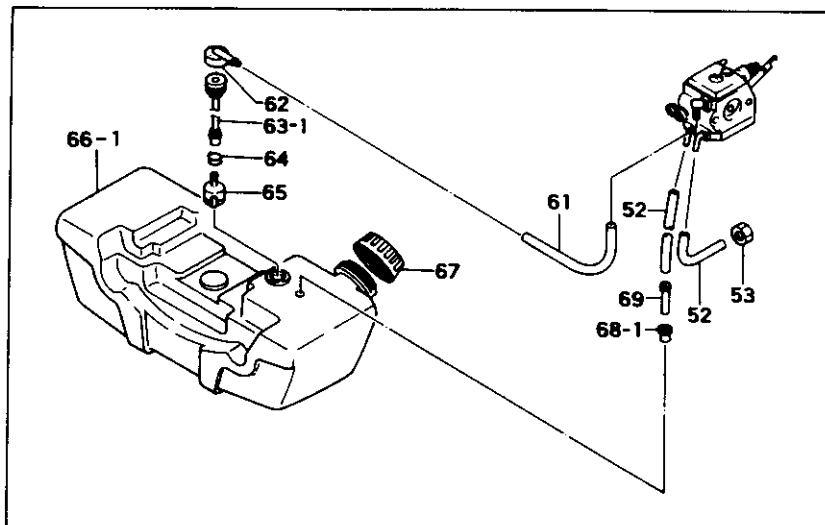
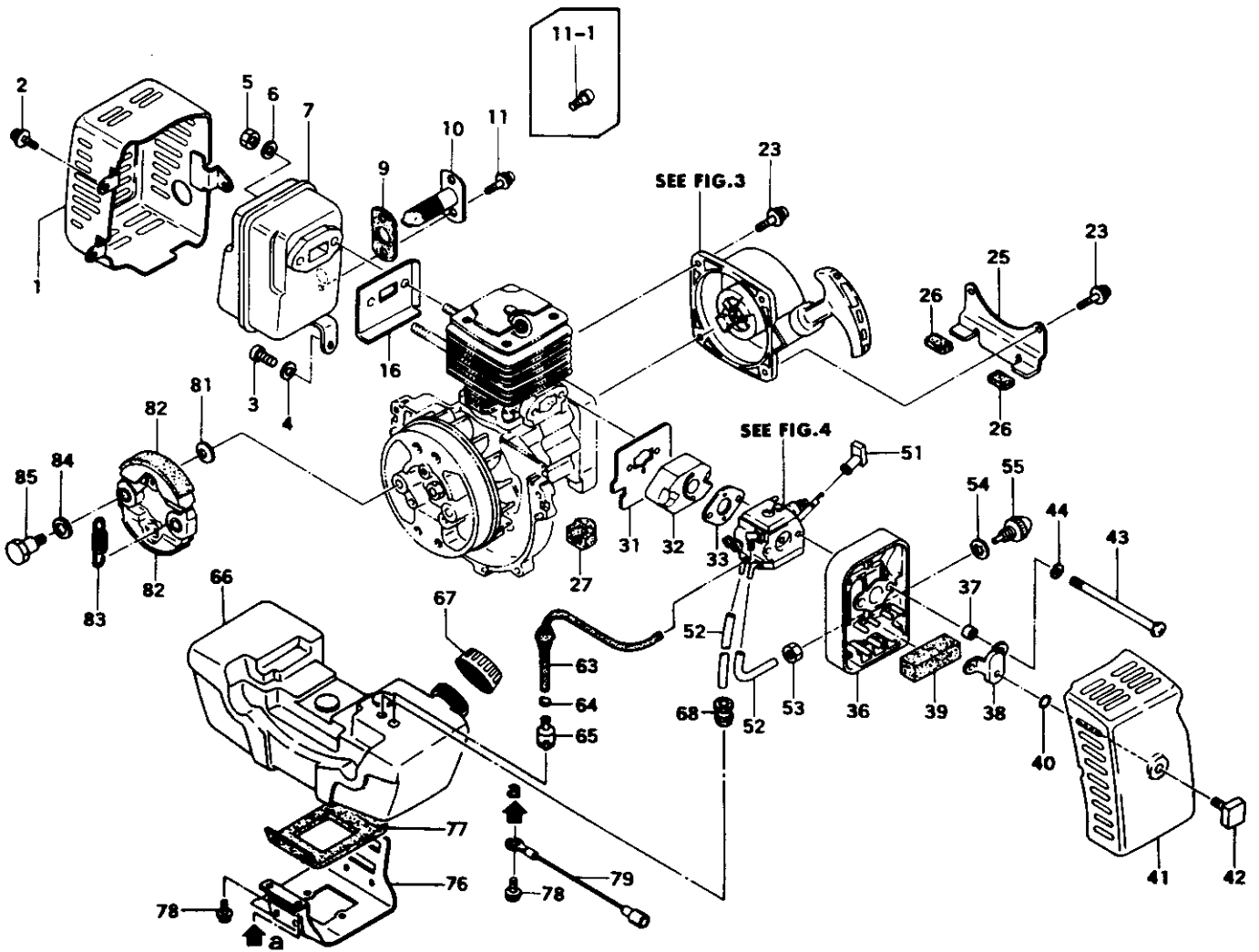
**All Units Prior To Serial Number L 108865**

**FIG.1 ENGINE**



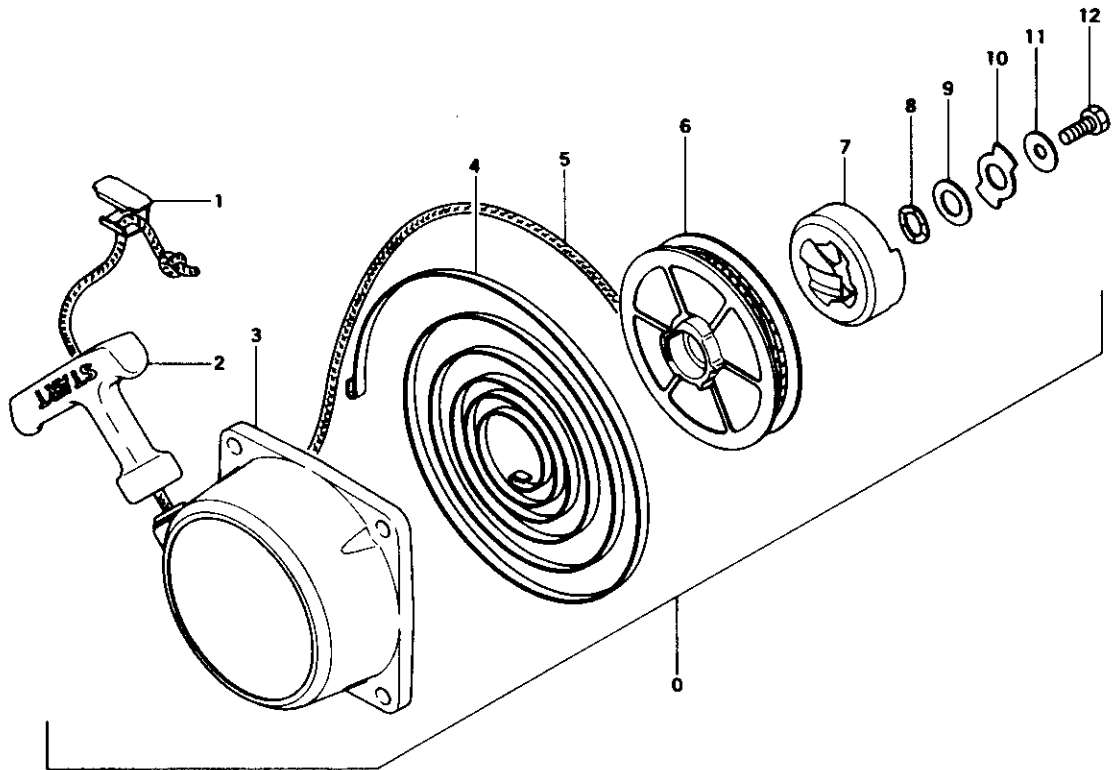
REF. NBR	PART NBR	PART NAME	QTY	SERIAL NBR	REMARKS
1-001	016-04200-200	CYLINDER COVER	1	I -J223400	
1-001	016-04200-201	CYLINDER COVER	1	-K100418	
1-001	016-04200-210	CYLINDER COVER	1	P K100419-	
1-002	994-15050-122	SCREW 5X12/PS	2		
1-006	157-04200-900	SPARK PLUG CAP ASS'Y	1	R -G054500	
1-006	157-11666-900	SPARK PLUG CAP ASS'Y	1	G054501-	
1-007	255-04200-200	SPARK PLUG RUBBER COVER	1		
1-008	018-00502-200	SPARK PLUG BM6A	1	I -G054500	
1-008	018-01805-200	SPARK PLUG CJ8	1	G054501-	
1-010	100-01300-202	STUD BOLT 6X69	2		
1-011	002-04200-200	CYLINDER	1		
1-012	990-51050-183	HEX. HOLE BOLT 5X18	4		
1-013	992-10050-062	S.WASHER 5	4		
1-014	017-04200-200	CYLINDER GASKET	1		
1-015	041-04050-200	PISTON RING	2		
1-016	031-04200-200	PISTON	1		
1-017	037-01000-200	PISTON PIN 10X30	1		
1-018	039-05004-200	PISTON PIN CIRCLIP	2		
1-021	046-04200-800	CRANK SHAFT COMP.	1		
1-022	999-62101-004	NEEDLE BEARING F1010B	1		
1-023	991-11100-013	SMALL NUT 10	1		
1-024	798-05015-200	STARTER PULLEY	1		
1-026	072-04200-900	CRANK CASE ASS'Y	1		
1-027	090-04200-200	CRANK CASE GASKET	1	-K100418	
1-027	090-04200-210	CRANK CASE GASKET	1	P K100419-	
1-028	999-66152-500	OIL SEAL 15257	2		
1-029	999-61620-200	BALL BEARING #6202. 35MM/OD	2		
1-030	070-02401-201	CRANK SHAFT WASHER 15.2X22	2		
1-031	068-10100-200	WOOD-RUFF KEY 3X13X4.5	1	R -J146180	
1-031	068-02000-200	WOOD-RUFF KEY 3X13X5	1	J146181-	
1-032	071-02007-200	CRANK SHAFT SHIM 0.05	V		
1-032	071-02007-210	CRANK SHAFT SHIM 0.10	V		
1-032	071-02007-220	CRANK SHAFT SHIM 0.15	V		
1-032	071-02007-230	CRANK SHAFT SHIM 0.20	V		
1-032	071-02007-240	CRANK SHAFT SHIM 0.30	V		
1-036	990-11060-451	SCREW 6X45	2		
1-037	992-10060-012	S.WASHER 6	2		
1-038	990-11060-301	SCREW 6X30	2		
1-039	992-10060-012	S.WASHER 6	2		
1-046	991-01060-013	NUT 6	1		
1-047	894-01401-201	OUTER RECEIVER	1		
1-051	155-20505-800	MAGNETO ROTOR COMP.	1		
1-052	992-00100-011	SMALL WASHER 10	1		
1-053	992-10100-012	S.WASHER 10	1	D K100419-	
1-054	991-11100-011	NUT 10	1		
1-055	167-20505-800	IGNITION COIL COMP.	1		
1-056	990-11050-181	SCREW 5X18	3		
1-057	992-10050-012	S.WASHER 5	3		
1-058	992-01050-011	WASHER 5	3	M	
1-058	992-00050-011	SMALL WASHER 5	3		
1-059	159-20505-800	IGNITOR COMP.	1		
1-060	990-11050-141	SCREW 5X14	2		
1-061	992-10050-012	S.WASHER 5	2		
1-062	992-01050-011	WASHER 5	2		
1-063	198-05015-800	CORD CLAMP COMP.	1		
1-066	112-04202-200	FAN CASE	1	I -J223400	
1-066	112-04202-201	FAN CASE	1	J223401-	
1-067	994-14060-202	SCREW 6X20/S	4		
1-068	203-10000-200	PRIMARY CORD GROMMET	1		
1-069	203-06000-200	PRIMARY CORD GROMMET	1		

# FIG.2 ENGINE COMPONENTS



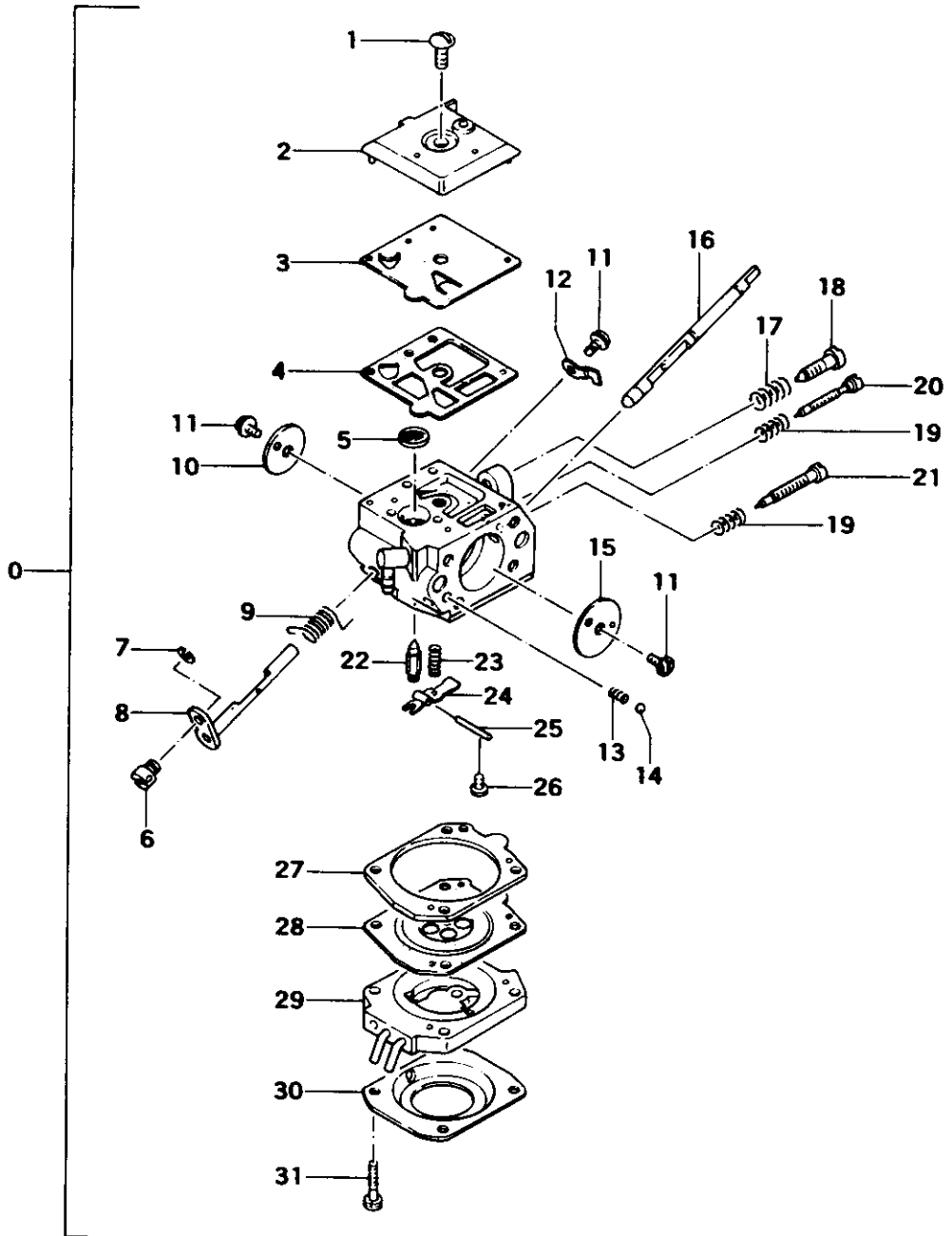
REF. NBR	PART NBR	PART NAME	QTY	SERIAL NBR	REMARKS
2-001	738-04200-801	MUFFLER PROTECTOR COMP.	1	-J146180	
2-001	738-04200-802	MUFFLER PROTECTOR COMP.	1	P J146181-	
2-002	994-15050-102	SCREW 5X10/PS	2		
2-003	990-11050-121	SCREW 5X12	1		
2-004	992-01050-011	WASHER 5	1		
2-005	991-74080-010	U-NUT 6	2		
2-006	992-01080-011	WASHER 6	2		
2-007	706-04200-800	MUFFLER COMP.	1		
2-009	751-04200-200	MUFFLER SPECIAL GASKET	1	-J146180	
2-009	751-04200-201	MUFFLER SPECIAL GASKET	1	P J146181-	
2-010	721-04201-800	TAIL PIPE COMP.	1		
2-011, 1	990-11040-101	SCREW 4X10	2	I -L074592	
2-011	994-34040-081	SCREW 4X8S	2	L074593-	
2-016	133-04200-200	HEAT SHIELD	1	R -K100418	
2-016	133-04200-210	HEAT SHIELD	1	K100419-	
2-023	994-15050-182	SCREW 5X18/PS	4		
2-025	653-04200-200	TANK BRACKET	1		
2-026	655-06100-200	FUEL TANK CUSHION RUBBER	2		
2-027	655-04200-200	FUEL TANK CUSHION RUBBER	2		
2-031	403-04201-200	INLET MANIFOLD GASKET	1		
2-032	404-04200-200	CARBURETOR INSULATOR	1		
2-033	402-11650-200	CARBURETOR GASKET	1		
2-036	423-04201-200	CLEANER BODY	1		
2-037	659-00801-200	COLLAR	2		
2-038	476-04050-200	BLOW OVER CHECK BOARD	1		
2-039	446-04201-200	CLEANER SPONGE	1		
2-040	999-67003-000	O-RING P-3	1		
2-041	424-04200-200	CLEANER CAP	1		
2-042	175-32530-800	CLEANER KNOB COMP.	1		
2-043	990-11050-751	SCREW 5X75	2		
2-044	992-10050-012	S.WASHER 5	2		
2-051	495-04200-200	CHOKE LEVER	1		
2-052	700-02004-090	FUEL PIPE	2	-K100418	
2-052	700-02504-090	FUEL PIPE 2.5X4X90	2	N K100419-	
2-053	991-11100-011	NUT 10	1		
2-054	992-20100-010	INNER TOOTHED WASHER 10	1		
2-055	422-25030-800	PRIMING PUMP COMP.	1		
2-061	700-03005-110	FUEL PIPE 3X5X110	1	D K100419-	
2-062	500-33202-205	RUBBER PIPE CAP	1	D K100419-	
2-063, 1	678-0602V-200	RUBBER PIPE	1	-K100418	
2-063	223-01251-901	FUEL PIPE ASS'Y 3X5X230	1	N K100419-	
2-064	680-04019-210	CLIP 7	1	-K100418	
2-064	680-00731-201	CLIP	1	N K100419-	
2-065	675-11610-901	PUMP FILTER BODY ASS'Y	1	-J223400	
2-065	675-01630-900	PUMP FILTER BODY ASS'Y	1	P J223401-	
2-066, 1	591-04200-210	FUEL TANK	1	-K100418	
2-066	591-04220-200	FUEL TANK	1	N K100419-	
2-067	595-0062A-901	TANK CAP ASS'Y	1		
2-068, 1	532-04200-200	RETURN PIPE A	1	-K100418	
2-068	534-32710-200	RETURN GROMMET	1	N K100419-	
2-069	669-04001-200	PIPE JOINT	1	D K100419-	
2-076	603-04201-200	TANK HOLDING BAND	1		
2-077	652-04201-200	CUSHION RUBBER	1		
2-078	994-15050-162	SCREW 5X16/PS	2		
2-079	179-04201-800	STOP CORD COMP. B	1		
2-081	359-10112-203	CLUTCH WASHER B	2		
2-082	290-04200-800	CLUTCH ARM COMP.	2		
2-083	342-04200-200	CLUTCH SPRING	1		
2-084	358-10112-200	CLUTCH WASHER A	2		
2-085	357-04201-200	CLUTCH STEP BOLT	2		

# FIG.3 RECOIL STARTER



REF. NBR	PART NBR	PART NAME	QTY	SERIAL NBR	REMARKS
3-000	762-05015-900	RECOIL STARTER BODY ASS'Y	1		
3-001	815-06000-200	STARTER HANDLE METAL	1		
3-002	785-05004-200	STARTER HANDLE	1		
3-003	772-05015-800	RECOIL STARTER BODY COMP.	1		
3-004	779-06000-200	RECOIL SPRING	1		
3-005	783-05004-200	STARTER ROPE	1		
3-006	769-05015-200	STARTER ROPE REEL	1		
3-007	788-05015-200	STARTER PAWL	1		
3-008	801-05015-200	STARTER REEL WASHER	1		
3-009	992-01080-011	WASHER 8	1		
3-010	837-05015-200	FRICTION PLATE	1		
3-011	822-05015-200	STARTER REEL SHIM	1		
3-012	839-05015-200	SET BOLT	1		

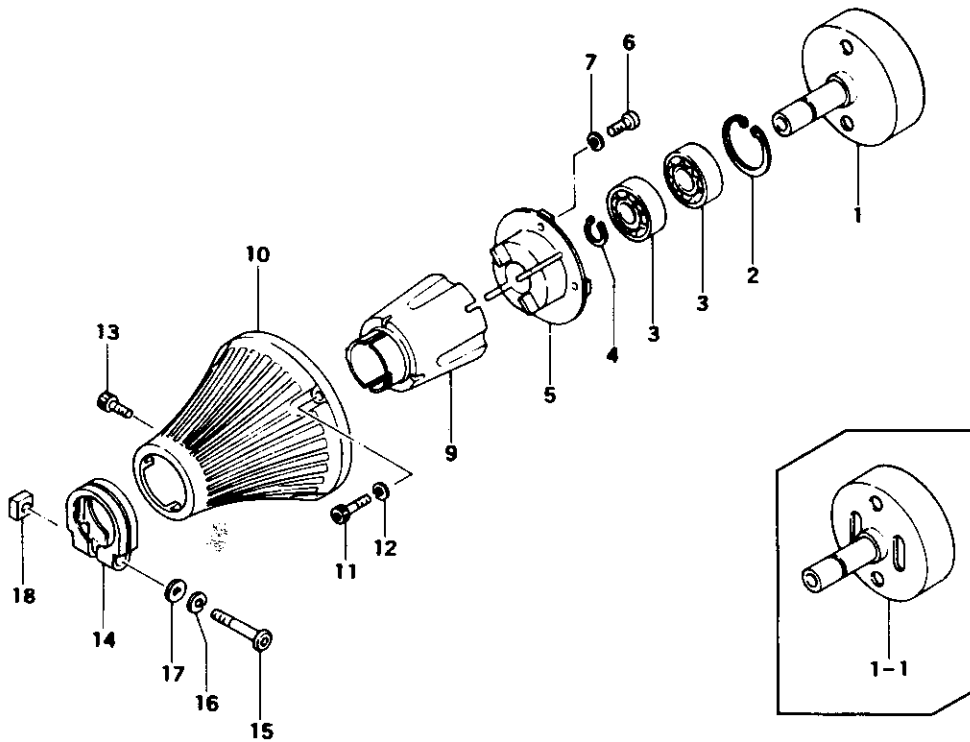
**FIG.4 CARBURETOR**



REF. NBR	PART NBR	PART NAME	QTY	SERIAL NBR	REMARKS
4-000	455-25032-900	CARBURETOR ASS'Y HDA-44	1		
4-001	514-25001-200	SET SCREW	1		
4-002	575-25012-200	PUMP BODY	1		
4-003	576-25012-200	PUMP DIAPHRAGM	1	M	
4-003	577-25012-200	PUMP GASKET	1		
4-004	577-25012-200	PUMP GASKET	1	M	
4-004	576-25012-200	PUMP DIAPHRAGM	1		
4-005	578-25007-200	INLET SCREEN	1		
4-006	539-25101-200	SWIVEL	1		
4-007	489-25008-200	STOP RING	1		
4-008	464-25032-200	THROTTLE SHAFT COMP.	1	M	
4-008	464-25032-800	THROTTLE SHAFT COMP.	1		
4-009	486-25032-200	THROTTLE SPRING	1		
4-010	488-25001-200	THROTTLE VALVE	1		
4-011	467-25003-200	SHUTTER SCREW	3		
4-012	559-25012-200	STOP PLATE	1		
4-013	496-25032-200	CHOKE SPRING	1		
4-014	567-25032-200	STEEL BALL	1		
4-015	493-25032-200	CHOKE VALVE	1		
4-016	492-25032-200	CHOKE SHAFT	1		
4-017	463-25032-200	IDLE ADJUST SPRING	1		
4-018	462-25032-200	IDLE ADJUST SCREW	1		
4-019	623-25032-200	HIGH/LOW ADJUST SPRING	2		
4-020	461-25032-200	LOW ADJUST SCREW	1		
4-021	460-25032-200	HIGH ADJUST SCREW	1		
4-022	603-25012-200	NEEDLE VALVE	1		
4-023	477-25012-200	VALVE SPRING	1		
4-024	473-25012-200	CONTROL LEVER	1		
4-025	605-25001-200	HINGE PIN	1		
4-026	546-25001-200	HINGE PIN SET SCREW	1		
4-027	475-25032-200	DIAPHRAGM GASKET	1		
4-028	474-25032-800	METERING DIAPHRAGM COMP.	1		
4-029	454-25032-800	AIR PURGE COMP.	1		
4-030	476-25032-200	DIAPHRAGM COVER	1		
4-031	548-25016-200	SET SCREW	4		

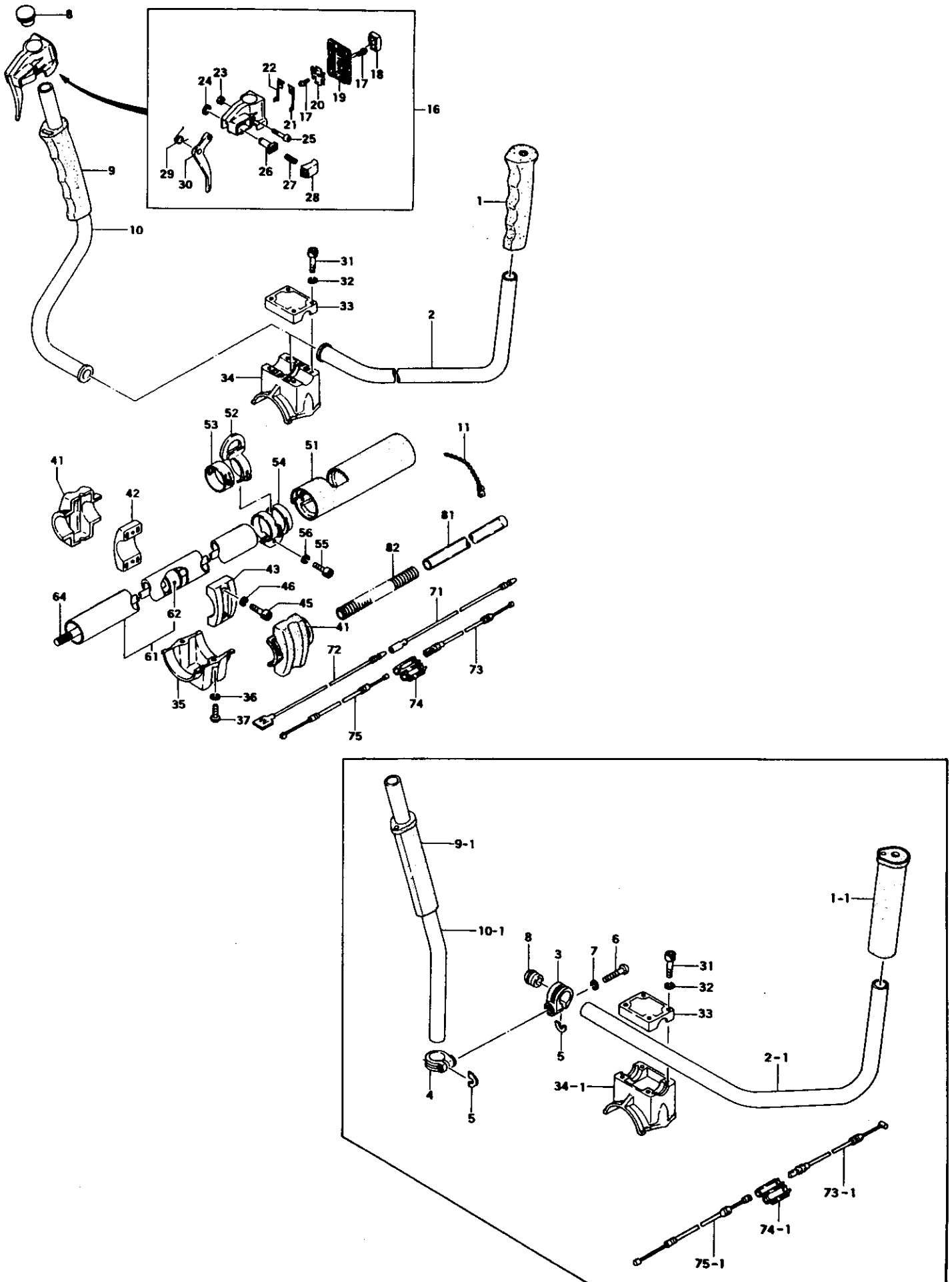


# FIG.5 CLUTCH CASE



REF. NBR	PART NBR	PART NAME	QTY	SERIAL NBR	REMARKS
5-001.1	289-04205-800	CLUTCH SHAFT COMP.	1	R -G054500	
5-001	289-04205-810	CLUTCH SHAFT COMP.	1	M G054501-	
5-001	289-04205-801	CLUTCH SHAFT COMP.	1		
5-002	993-51035-002	STOP RING C-35 IN	1		
5-003	999-81620-201	BALL BEARING #6202ZZ. 35MM/OD	2		
5-004	993-50015-002	STOP RING C-15 EX	1		
5-005	347-04201-200	CLUTCH FLANGE	1	R -J146180	
5-005	347-04201-201	CLUTCH FLANGE	1	J146181-	
5-006	990-11050-161	SCREW 5X16	4		
5-007	992-10050-012	S.WASHER 5	4		
5-009	599-04201-800	CUSHION RUBBER COMP.	1		
5-010	331-04201-200	CLUTCH CASE	1		
5-011	990-51050-123	HEX. HOLE BOLT 5X12	4		
5-012	992-10050-062	S.WASHER 5	4		
5-013	990-51050-103	HEX. HOLE BOLT 5X10	1		
5-014	282-04201-200	PIPE HOLDER	1		
5-015	990-53060-453	HEX HOLE BUTTON SCREW 6X45	1		
5-016	992-10060-062	S.WASHER 6	1		
5-017	992-01060-061	WASHER 6	1		
5-018	991-91060-013	SQUARE NUT 6	1	M	
5-018	991-91060-061	SQUARE NUT 6	1		

# FIG.6 HANDLE

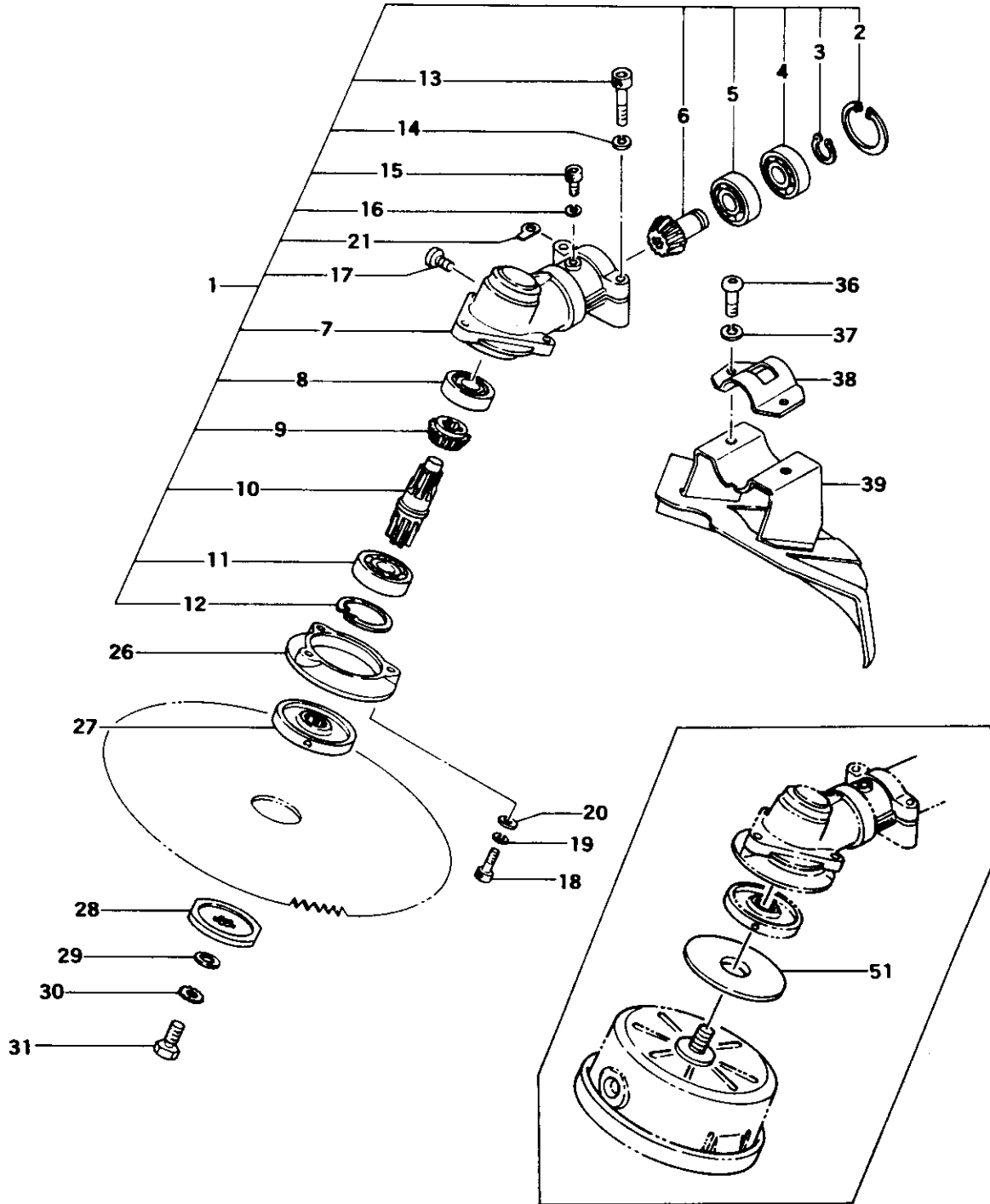


REF. NBR	PART NBR	PART NAME	QTY	UNIT	SERIAL NBR	REMARKS
6-001.1	515-37100-200	HANDLE GRIP (LEFT)	1	I	-J146180	
6-001	165-33130-200	HANDLE GRIP A	1		J146181-	
6-002.1	502-37101-200	LEFT HANDLE	1		-J146180	
6-002	502-33674-201	LEFT HANDLE SK	1	M	J146181-	
6-003	514-37100-202	HANDLE HOLDER B	1	D	J146181-	
6-004	513-37100-202	HANDLE HOLDER A	1	D	J146181-	
6-005	516-37100-200	HANDLE HOLDER WASHER	2	D	J146181-	
6-006	990-53060-503	HEX HOLE BUTTON SCREW 6X50	1	D	J146181-	
6-007	992-10060-062	S. WASHER 6	1	D	J146181-	
6-008	499-37100-200	PIPE GROMMET	2		-J146180	
6-008	499-37100-200	PIPE GROMMET	1		J146181-	
6-009.1	503-37100-200	HANDLE GRIP, RIGHT	1		-J146180	
6-009	503-37113-200	HANDLE GRIP, RIGHT	1	N	J146181-	
6-010.1	501-37101-200	RIGHT HANDLE	1		-J146180	
6-010	501-33674-200	RIGHT HANDLE	1	N	J146181-	
6-011	460-33111-900	CLAMP B ASS'Y	1	N	J146181-	
6-016	870-37101-900	THROTTLE LEVER ASS'Y	1			
6-017	993-42030-081	TAPPING SCREW 3X8	3			
6-018	162-37101-200	STOP SWITCH	1			
6-019	259-37101-200	STOP SWITCH BASE	1			
6-020	262-37101-200	STOP SWITCH SPRING	1			
6-021	177-37101-200	EARTH TERMINAL B	1			
6-022	176-37101-200	EARTH TERMINAL A	1			
6-023	991-86050-000	SELF-LOCK NUT 5	1			
6-024	993-55060-001	STOP RING 6	1			
6-025	994-31050-251	SCREW 5X25	1			
6-026	853-37101-200	LOCK BUTTON SHAFT	1			
6-027	958-37101-200	LOCK BUTTON SPRING	1			
6-028	956-37101-200	LOCK BUTTON	1			
6-029	832-37101-200	RETURN SPRING	1			
6-030	880-37101-200	THROTTLE ARM	1			
6-031	990-51050-183	HEX. HOLE BOLT 5X18	4	M		
6-031	990-51050-163	HEX. HOLE BOLT 5X16	4			
6-032	992-10050-062	S. WASHER 5	4			
6-033	506-37100-201	HANDLE BRACKET A	1		-J146180	
6-033	506-37110-202	HANDLE BRACKET A	1	N	-K100418	
6-033	506-37110-202	HANDLE BRACKET A	1	I	-K100418	
6-033	506-37110-203	HANDLE BRACKET A	1		K100419-	
6-034.1	507-37100-200	HANDLE BRACKET B	1		-J146180	
6-034	507-37110-200	HANDLE BRACKET B	1	N	J146181-	
6-035	508-37100-200	HANDLE BRACKET C	1			
6-036	992-10060-062	S. WASHER 6	2			
6-037	990-53060-203	HEX HOLE BUTTON SCREW 6X20	2			
6-041	319-37100-200	CUSHION RUBBER	2			
6-042	449-37100-200	SHAFT LOCK B	1		-J146180	
6-042	449-37100-201	SHAFT LOCK B	1	P	-K100418	
6-042	449-37100-201	SHAFT LOCK B	1	I	-K100418	
6-042	449-37100-202	SHAFT LOCK B	1		K100419-	
6-043	448-37100-200	SHAFT LOCK A	1		-J146180	
6-043	448-37100-201	SHAFT LOCK A	1	P	-K100418	
6-043	448-37100-201	SHAFT LOCK A	1	I	-K100418	
6-043	448-37100-202	SHAFT LOCK A	1		K100419-	
6-045	990-51050-183	HEX. HOLE BOLT 5X18	2			
6-046	992-10050-062	S. WASHER 5	2			
6-051	336-37100-800	CUSHION PAD COMP.	1			
6-052	335-37101-200	LIFTING METAL	1	R	-J146180	
6-052	335-37100-201	LIFTING METAL	1		J146181-	
6-053	334-37101-200	LIFTING METAL COLLAR	1	R	-J146180	
6-053	334-37100-200	LIFTING METAL COLLAR	1		J146181-	
6-054	338-37101-800	LIFTING METAL STOPPER COMP.	1	R	-J146180	
6-054	338-37100-800	LIFTING METAL STOPPER COMP.	1		J146181-	
6-055	990-51050-123	HEX. HOLE BOLT 5X12	1		-G054500	
6-055	990-51050-153	HEX. HOLE BOLT 5X15	1	N	G054501-	

- To be cont'd -

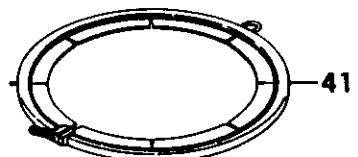
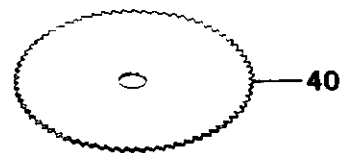
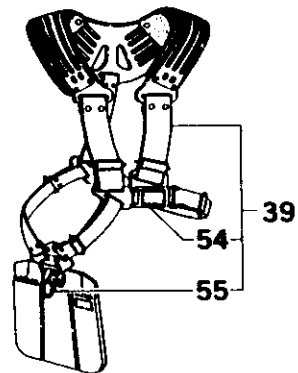
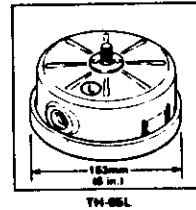
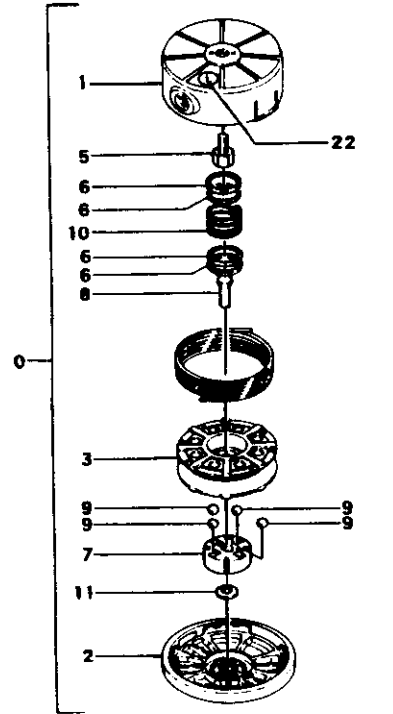
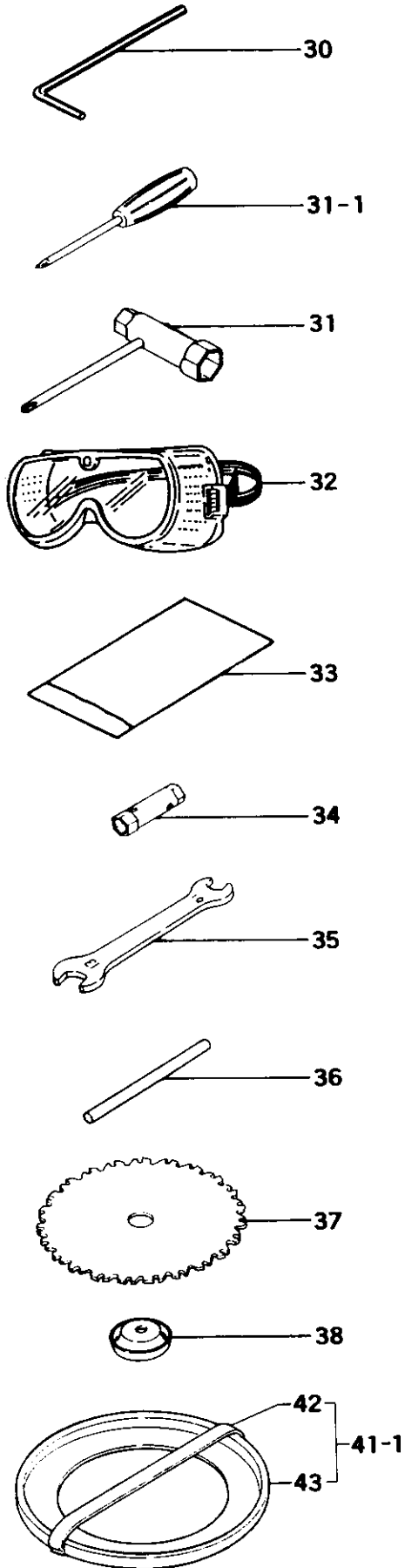
REF. NBR	PART NBR	PART NAME	QTY	SERIAL NBR	REMARKS
6-056	992-10050-062	S.WASHER 5	1		
6-061	341-37101-800	DRIVE SHAFT PIPE COMP., BLACK	1		
6-062	347-37100-900	BUSHING ASS'Y	5		
6-064	343-37101-201	DRIVE SHAFT, 8X1502L SOLID	1		
6-071	178-04201-800	STOP CORD COMP.	1		
6-072	178-37100-800	STOP CORD COMP.	2		
6-073, 1	885-04201-801	THROTTLE WIRE COMP.	1	-J146180	
6-073	885-04207-800	THROTTLE WIRE COMP.	1	N J146181-	
6-074, 1	888-33340-200	CONNECTOR CASE	1	-J146180	
6-074	888-04030-200	CONNECTOR CASE	1	N J146181-	
6-075, 1	885-37100-801	THROTTLE WIRE COMP.	1	-J146180	
6-075	885-37110-800	THROTTLE WIRE COMP.	1	N J146181-	
6-081	164-10019-500	PROTECTION TUBE 10X195L	1	-J146180	
6-081	279-11021-005	VINYL TUBE	1	N J146181-	
6-082	164-10045-700	PROTECTION TUBE 10X457L	1	-J146180	
6-082	164-13038-010	SPLIT PROTECTION TUBE 13X380L	1	N J146181-	

# FIG.7 GEAR CASE



REF. NBR	PART NBR	PART NAME	QTY	SERIAL NBR	REMARKS
7-001	300-37100-900	GEAR CASE ASS'Y	1	-K100418	
7-001	300-37100-901	GEAR CASE ASS'Y	1	M	
7-001	300-37100-910	GEAR CASE ASS'Y, VERMILION	1	P	K100419-
7-002	993-51028-002	STOP RING C-28 1N	1		
7-003	993-50012-002	STOP RING C-12 EX	1		
7-004	999-61600-103	BALL BEARING 6001D, 28MM/OD	1		
7-005	999-61600-100	BALL BEARING #6001, 28MM/OD	1		
7-006	302-37101-200	PINION	1		
7-007	300-37100-200	GEAR CASE	1	-K100418	
7-007	300-37100-201	GEAR CASE	1	M	
7-007	300-37100-210	GEAR CASE, VERMILION	1	P	K100419-
7-008	999-61600-000	BALL BEARING #6000, 26MM/OD	1		
7-009	301-37100-200	GEAR	1		
7-010	304-37100-200	GEAR SHAFT	1		
7-011	999-61620-303	BALL BEARING #G203D, 40MM/OD	1		
7-012	993-51040-002	STOP RING C-40 1N	1		
7-013	990-51050-223	HEX. HOLE BOLT 5X22	2	-K100418	
7-013	990-51050-253	HEX. HOLE BOLT 5X25	2	P	K100419-
7-014	992-10050-062	S. WASHER 5	2		
7-015	990-51050-083	HEX. HOLE BOLT 5X8	1		
7-016	992-10050-062	S. WASHER 5	1		
7-017	990-04080-101	SCREW 8X10	1	M	
7-017	990-14080-101	SCREW 8X10	1	I	-G054500
7-017	990-14080-104	SCREW 8X10	1		G054501-
7-018	990-51050-153	HEX. HOLE BOLT 5X15	3		
7-019	992-10050-062	S. WASHER 5	3		
7-020	992-01050-061	WASHER 5	3		
7-021	324-37100-200	GEAR CASE WASHER	2	-K100418	
7-021	324-37110-200	GEAR CASE WASHER	2	N	K100419-
7-026	307-37100-200	PROTECTION COVER A	1		
7-027	310-37100-201	CUTTER HOLDER	1		
7-028	311-33411-201	CUTTER HOLDER CAP	1		
7-029	992-01080-011	WASHER 8	1		
7-030	992-29080-000	TOOTHED LOCK WASHER 8 L/H	1		
7-031	312-33411-200	CUTTER FIXING BOLT/L.H.T.	1		
7-036	990-53060-153	HEX HOLE BUTTON SCREW 6X15	2		
7-037	992-10060-062	S. WASHER 6	2		
7-038	442-37100-200	SAFETY GUARD BRACKET	1		
7-039	441-37100-800	SAFETY GUARD COMP.	1	-J146180	
7-039	441-37100-801	SAFETY GUARD COMP.	1	P	J146181-
7-051	320-33670-200	SPACER, NYLON HEAD	1		

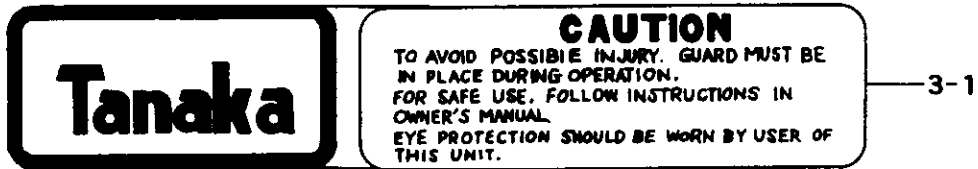
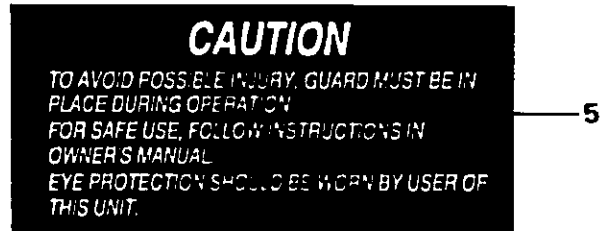
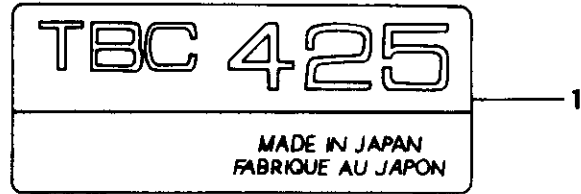
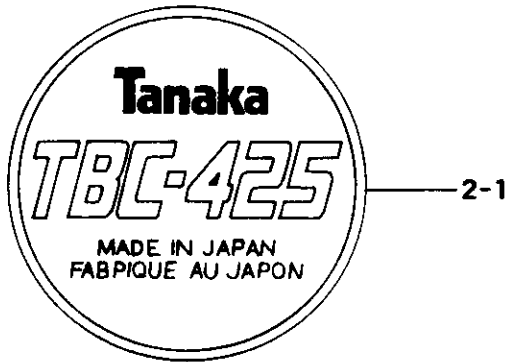
# FIG.8 TOOLS & NYLON HEAD



REF. NBR	PART NBR	PART NAME	QTY	SERIAL NBR	REMARKS
8-000	783-33670-912	NYLON HEAD ASS'Y (TH-95L)	1		
8-001	786-33670-812	CUTTING BODY COMP.	1		
8-002	789-33670-211	BODY CAP L	1		
8-003	787-33670-210	CORD REEL	1		
8-005	314-33670-200	8X1.25 L/H BOLT (GOLD)	1		
8-008	792-33004-200	REEL WASHER	4		
8-007	790-33004-200	REEL SLIDER	1		
8-008	791-33004-200	REEL SLIDER HOOK	1		
8-009	873-35800-200	STEEL BALL 5/16"	4		
8-010	793-33910-200	REEL SPRING (SILVER)	1		
8-011	358-02103-200	WASHER	1		
8-022	926-33670-200	IDENTIFICATION MARK, L	1		
8-030	813-20000-200	HEX. WRENCH 4	1		
8-031, 1	862-20000-200	PLUS DRIVER 4	1	R -J146180	
8-031	826-20000-800	COMBI BOX WRENCH 17X19	1	J146181-	
8-032	540-33671-900	GOGGLE ASS'Y	1	D J146181-	
8-033	948-39907-200	TOOL BAG	1		
8-034	826-20000-200	BOX SPANNER 17X19	1	D J146181-	
8-035	808-20000-200	SPANNER 10X13	1	D J146181-	
8-036	752-37100-200	LOCKING BAR	1		
8-037	812-33682-200	SAW BLADE 225X22T	1	D J146181-	
8-038	316-33410-200	BOLT PROTECTION COVER	1		
8-039	746-37100-900	SHOULDER BELT ASSY.TAIWAN MAKE	1	-J146180	
8-039	746-37113-900	SHOULDER BELT ASSY.TAIWAN MAKE	1	P J146181-	
8-040	809-33682-200	STEEL BLADE 80X255	1	N J181001-	
8-041, 1	815-33411-900	CUTTER COVER ASS'Y	1	-J146180	
8-041	615-37304-200	CUTTER COVER	1	N J146181-	
8-042	816-33411-200	CUTTER COVER BAND	1	D J146181-	
8-043	615-33411-200	CUTTER COVER	1	D J146181-	
8-054	738-37113-900	BUCKLE ASS'Y	1	N J146181-	
8-055	748-37113-800	HOOK COMP.	1	N J146181-	



# FIG.9 MARKS



REF. NBR	PART NBR	PART NAME	QTY	SERIAL NBR	REMARKS
9-001	906-37116-200	NAME PLATE, TBC-425	1 N	J146181-	
9-002	906-04200-200	NAME PLATE	1	-J146180	
9-002	950-31310-200	PROFORCE MARK A	1 N	J146181-	
9-003	929-33576-201	SYMBOL MARK	1	-J146180	
9-003	951-31310-200	PROFORCE MARK B	1 N	J146181-	
9-004	923-37400-200	LEVEL MARK	1		
9-005	919-37701-200	CAUTION MARK	1 N	J146181-	