

Tanaka.

Parts Catalog

■

Brush Cutter

Model: TBC-4000

DPL-T4000-HST 04-29-96

TBC-4000

OPTIONS AND ACCESSORIES

NYLON LINE



- 746156 .095, Box, 50 ft.
- 746157 .105, Box, 50 ft.
- 746160 .095, 1/2 lb. Box, 143 ft.
- 746161 .105, 1/2 lb. Box, 110 ft.
- 746165 .095, 1 lb. Box, 285 ft.
- 746166 .105, 1 lb. Box, 235 ft.
- 746169 .095, 3 lb. spool, 855 ft.
- 746170 .105, 3 lb. spool, 705 ft.
- 746173 .095, 5 lb. spool, 1425 ft.
- 746174 .105, 5 lb. spool, 1175 ft.

SEMI-AUTO HEAD

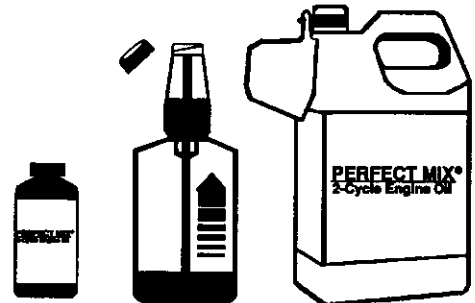


4633000 PNH-170

Parts List

SN-341	Body
SN-348	Cap
UA-1006	Adapter
SN-349	Spool
SE-103	Eyelet
SN-354	Spring
SN-347	Bump Disk

PERFECT MIX® 2-Cycle Engine Oil



- 700109 2.8 oz. Bottle, 1 Gallon Size (24*)
 - 700108 16 oz. Self-measuring Bottle (24*)
 - 700110 1 Gallon Jug Commercial Size (6*)
- * Case Quantity

MANUALS / CATALOGS

046014E	Owner's Manual
DPL-T4000-HST	Parts Catalog
WSM-TBC	Service Manual

SPECIAL TOOLS

009-29323-500	Piston Pin Remover	070-2000W-501	Carb. Tool Kit
073-29374-180	Fan Case Remover	001-29000-000	Tachometer
037-29476-522	Clutch Remover	070-2000W-500	Pressure Tester

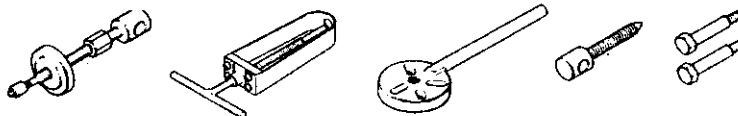


FIG.1 ENGINE

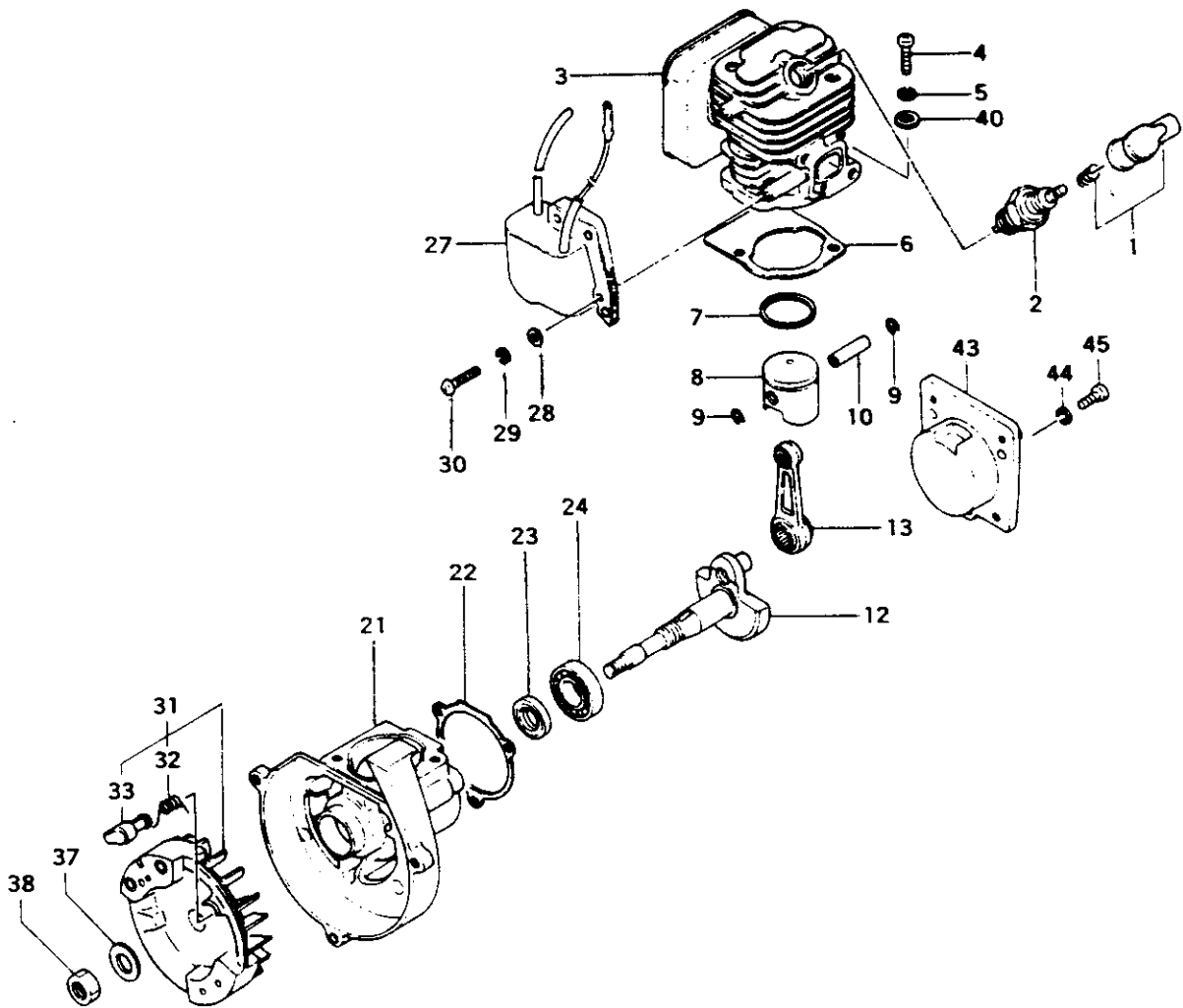


FIGURE 1

TBC-4000 PARTS LISTING

REF.	PART NO.	PART DESCRIPTION	Q	C	S	SERIAL NO.	REMARKS
1	157-01570-900	CAP,SPARK PLUG,ASS'Y	1		C		
2	018-11660-21	PLUG,SPARK	1		B		
3	002-00025-20	CYLINDER	1		B		
4	990-11050-221	SCREW,5X22	2		B		
5	992-10050-012	WASHER,S,5	2		A		
6	017-00025-200	GASKET,CYLINDER	1		A		
7	041-00000-210	RING,PISTON,LOWER	1		A		
8	031-00025-20	PISTON	1		D		
9	039-06100-200	CIRCLIP,PISTON PIN	2		A		
10	037-06097-20	PIN,PISTON	1		B		
12	046-00025-80	CRANKSHAFT	1		D		
13	061-00025-800	ROD,CONNECTING	1		C		
21	077-00025-21	CRANKCASE	1		D		
22	090-00025-200	GASKET,CRANKCASE	1		B		
23	999-66152-511	SEAL,OIL,#VE15X25X7	1		A		
24	999-61600-200	BEARING,BALL,#6002	1		B		
27	167-21522-800	COIL,IGNITION	1		C		
28	992-00040-011	WASHER,4	2		B		
29	992-10040-012	WASHER,S,4	2		B		
30	990-11040-201	SCREW,4X20	2		C		
31	155-21522-900	ROTOR,MAGNETO ASS'Y	1		C		
32	790-00025-200	SPRING,PAWL	1		D		
33	788-00025-200	PAWL,STARTER	1		D		
37	992-01120-011	WASHER,12	1		D		
38	991-11120-011	NUT,12	1		A		
40	992-01050-011	WASHER,5	2		A		
43	218-00025-200	COVER,CRANK CASE	1		D	-N207750	
44	992-10050-012	WASHER,S,5	3		A	-N207750	
45	990-11050-161	SCREW,5X16	3		B	-N207750	

* Indicates the part is included in a kit or assembly and is not available individually. Q=Quantity used C=Interchangeability S=Stocking code: A=Fast moving B=Med. fast C=Med. move D=Slow move E=N.L.A. F=Superseded or replaced by a new part

FIG.2 ENGINE COMPONENTS

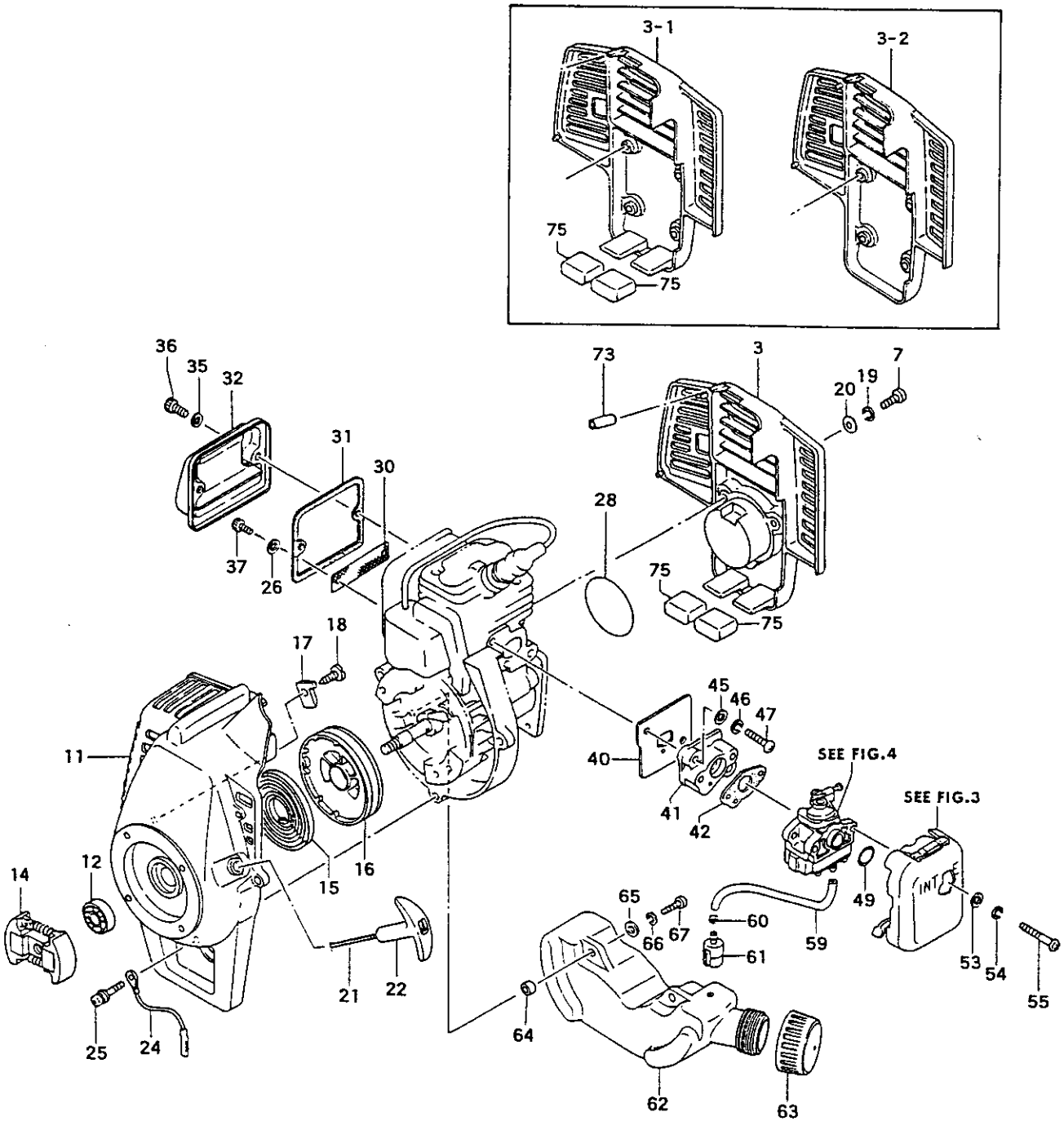


FIGURE 2

TBC-4000 PARTS LISTING

REF.	PART NO.	PART DESCRIPTION	Q	C	S	SERIAL NO	REMARKS
3-2	752-00025-200	PROTECTOR,MUFFLER B	1		D	~K190595	
3-1	752-00025-210	PROTECTOR,MUFFLER B	1		D	~N207750	
3	752-00025-22	PROTECTOR,MUFFLER	1		C	N207751~	
7	994-16050-162	SCREW,5X16/WS	4		D	~N207750	
7	990-11050-161	SCREW,5X16	3		B	N207751~	
11	112-00025-80	CASE,FAN	1		B		
12	999-61600-001	BEARING,BALL,#6000ZZ	1		B		
14	277-0635M-800	CLUTCH	1		B		
15	779-0136U-200	SPRING,RECOIL	1		C		
16	774-00025-200	PULLEY,STARTER	1		C		
17	771-00025-200	STAY,PULLEY	2		D		
18	839-00025-200	SCREW,SET	2		D		
19	992-10050-012	WASHER,S,5	3		A	N207751~	
20	992-01050-011	WASHER,5	3		A	N207751~	
21	783-06097-200	ROPE,STARTER	1		C		
22	785-06410-200	HANDLE,STARTER	1		C		
24	179-00025-800	CORD,STOP	1		D		
25	994-15050-202	SCREW,5X20/PS	3		C		
26	992-00040-011	WASHER,4	2		B		
28	999-67048-012	O-RING,S-48	1		C	N207551~	
30	732-00025-200	ARRESTER,SPARK	1		D		
31	739-00025-201	GASKET,MUFFLER	1		C		
32	717-00025-801	BODY,MUFFLER B	1		D		
35	992-00050-011	WASHER,SMALL,5	2		C		
36	990-51050-103	BOLT,HEX.HOLE,5X10	2		C		
37	990-51040-083	BOLT,HEX.HOLE 4X8	2		D		
40	403-0631A-202	GASKET,INLET MANIFOLD	1		A		
41	404-0631A-800	INSULATOR,CARBURETOR	1		B		
42	402-0602K-21	GASKET,CARBURETOR	1		B		
45	992-00050-011	WASHER,SMALL,5	2		C		
46	992-10050-012	WASHER,S,5	2		A		
47	990-11050-221	SCREW,5X22	2		B		
49	999-67015-000	O-RING,P15	1		C		
53	992-00050-011	WASHER,SMALL,5	2		C		
54	992-10050-012	WASHER,S,5	2		A		
55	990-11050-601	SCREW,5X60	2		C		
59	700-13005-130	PIPE,FUEL	1		C		
60	680-00731-201	CLIP	1		B		

* Indicates the part is included in a kit or assembly and is not available individually. Q=Quantity used C=Interchangeability S=Stocking code: A=Fast moving B=Med. fast C=Med. move D=Slow move E=N.L.A. F=Superseded or replaced by a new part

FIGURE 2 cont.

TBC-4000 PARTS LISTING

REF.	PART NO.	PART DESCRIPTION	Q	C	S	SERIAL NO.	REMARKS
61	675-04042-80	FILTER,FUEL	1		A		
62	591-00025-200	TANK,FUEL	1		D	~K190595	
62	591-00025-21	TANK,FUEL	1		C	K190596~	
63	595-0650A-90	CAP,TANK	1		A		
64	659-00801-200	COLLAR,TANK HOLDING METAL	2		C		
65	992-01050-011	WASHER,5	2		A	~L277320	
66	992-10050-012	WASHER,S,5	2		A	~L277320	
67	990-11050-181	SCREW,5X18	2		B	~L277320	
67	994-15050-185	SCREW,5X18	2		D	~M253724	
67	994-63050-185	BOLT,HEX 5X18PS	2		D	M253725~	
73	700-15007-01	PIPE,RUBBER	1		C		
75	655-06400-200	CUSHION,TANK	2		D		

* Indicates the part is included in a kit or assembly and is not available individually. Q=Quan. used C=Interchangeability S=Stocking code: A=Fast moving B=Med. fast C=Med. move D=Slow move E=N.L.A. F=Superseded or replaced by a new part

FIG.3 AIR CLEANER

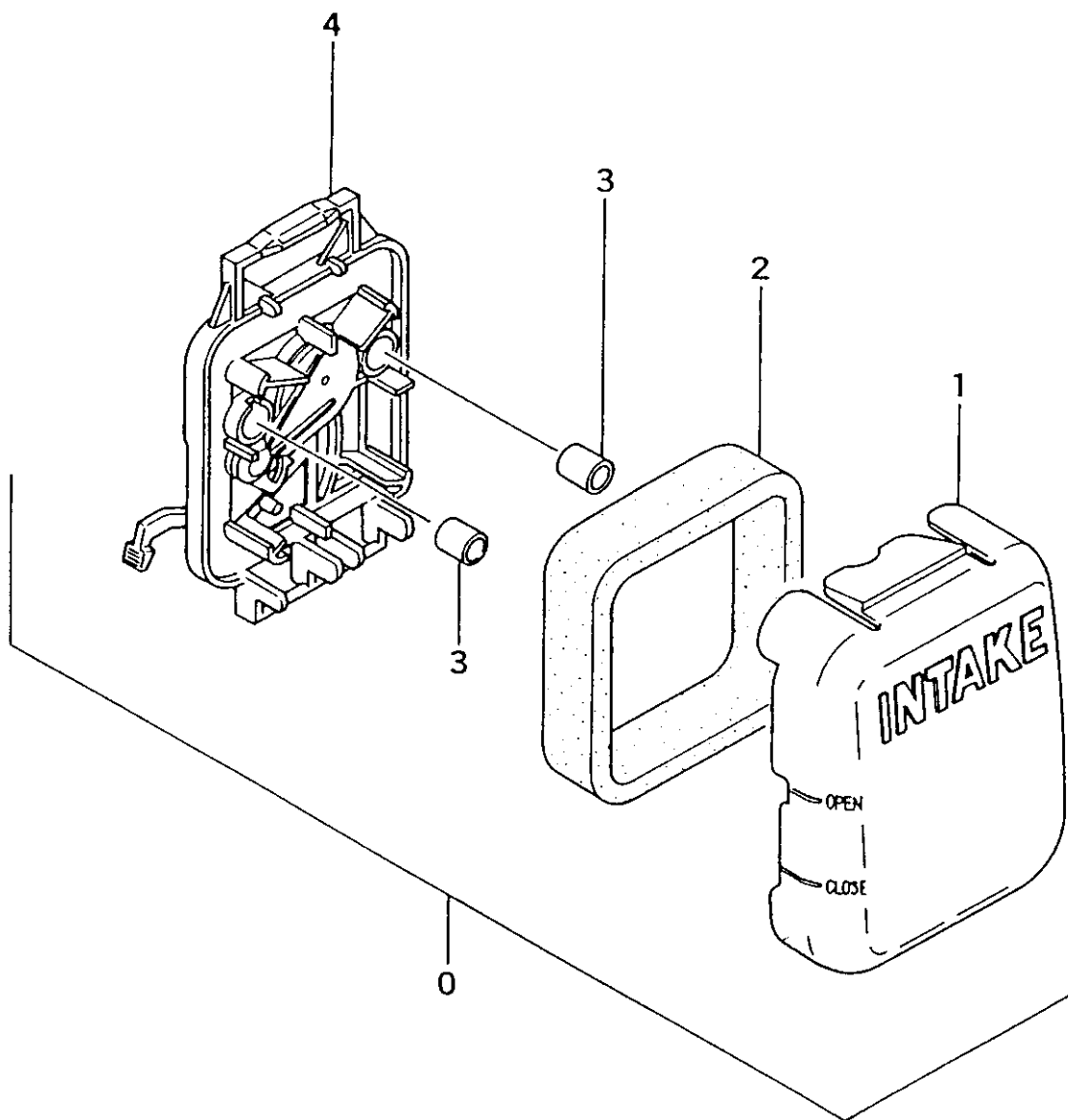


FIGURE 3

TBC-4000 PARTS LISTING

REF.	PART NO.	PART DESCRIPTION	Q	C	S	SERIAL NO.	REMARKS
0	410-00025-900	CLEANER,AIR ASS'Y	1		C		
1	424-00025-200	CAP,AIR CLEANER	1		C		
2	446-00025-200	ELEMENT,CLEANER	1		B		
3	470-00025-200	COLLAR	2		D		
4	423-00025-800	BODY,CLEANER,AIR	1		C		

FIG.4 CARBURETOR

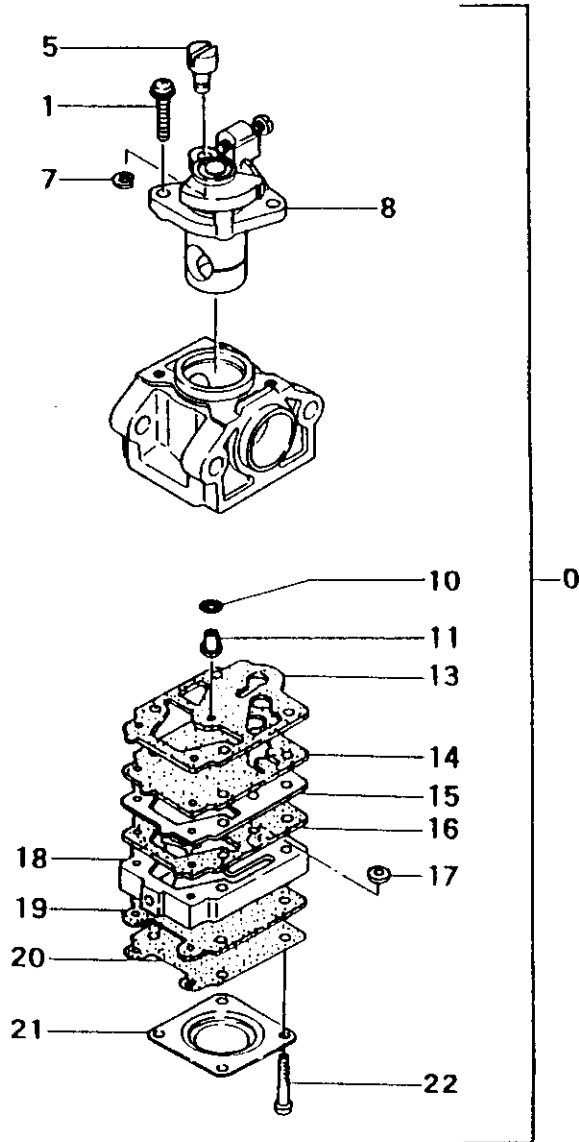


FIGURE 4

TBC-4000 PARTS LISTING

REF.	PART NO.	PART DESCRIPTION	Q	C	S	SERIAL NO.	REMARKS
0	455-25140-900	CARBURETOR,ASS'Y	1		C		
1	548-25140-200	SCREW,THROTTLE SET	1		D		
5	539-25120-200	SWIVEL	1		D		
7	489-25100-200	RING,STOP	1		D		
8	488-25140-800	VALVE,THROTTLE	1		C		
10	---	*O-RING	1		C		
11	599-2000W-370	JET,MAIN,#37	1		C		* Contained in Carb. Repair Kit 650-25140-900 (Not available individually)
13	---	*GASKET,PUMP	1		B		
14	---	*DIAPHRAGM,PUMP	1		B		
15	523-25100-201	PLATE,PUMP	1		C		
16	522-25100-200	PLATE,CIRCUIT	1		C		
17	---	*SCREEN,INLET	1		C		
18	575-25140-800	BODY,PUMP	1		D		
19	---	*GASKET,DIAPHRAGM	1		A		
20	---	*DIAPHRAGM,METERING	1		A		
21	476-25004-200	COVER,DIAPHRAGM	1		D		
22	548-25101-200	SCREW,SET	1		D		

* Indicates the part is included in a kit or assembly and is not available individually. Q=Quan. used C=Interchangeability S=Stocking code: A=Fast moving B=Med. fast C=Med. move D=Slow move E=N.L.A. F=Superseded or replaced by a new part

FIG.5 CLUTCH CASE

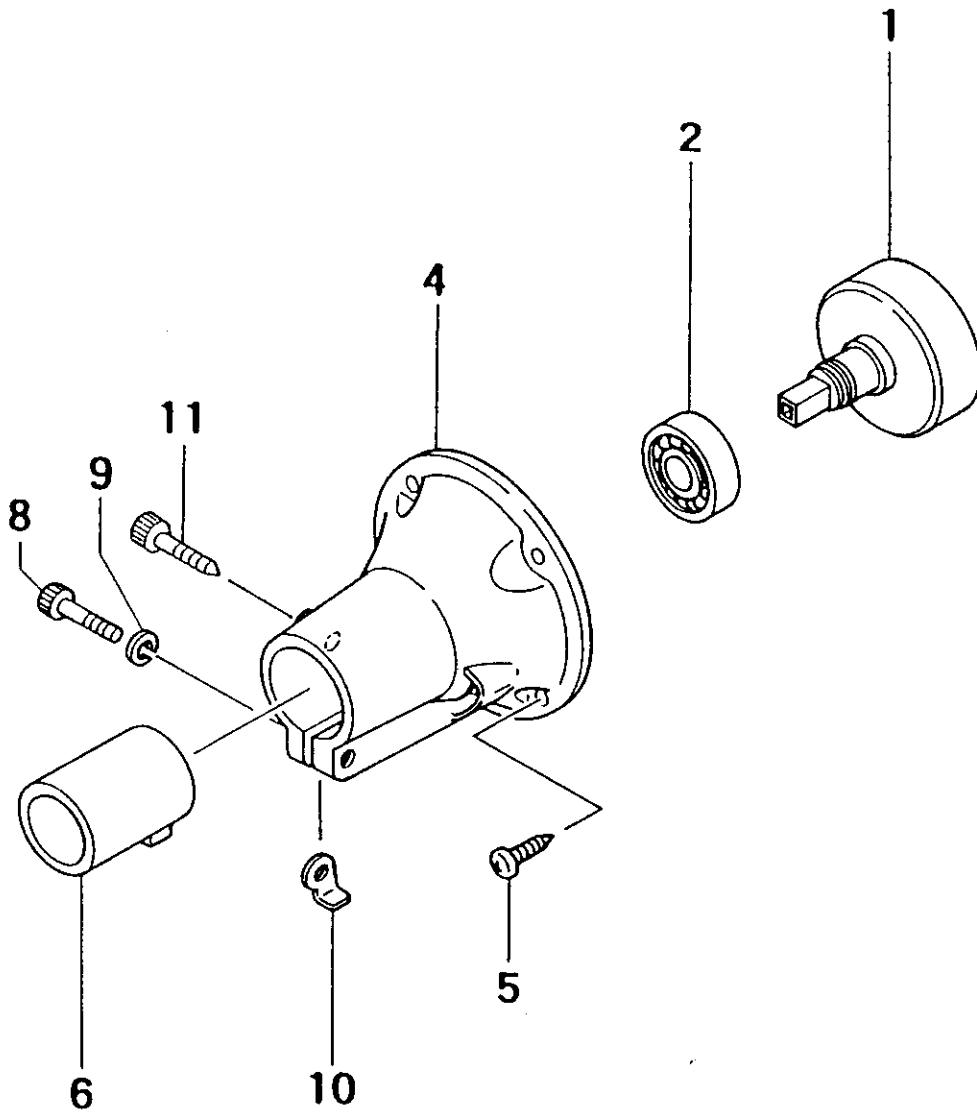


FIGURE 5

TBC-4000 PARTS LISTING

REF.	PART NO.	PART DESCRIPTION	Q	C	S	SERIAL NO	REMARKS
1	289-00025-80	DRUM,CLUTCH	1		C		
2	999-61620-101	BEARING,BALL #6201ZZ	1		C		
4	331-00025-21	CASE,CLUTCH	1		C		
5	990-73050-184	SCREW,TAPPING,5X18	4		D		
6	599-0635A-200	CUSHION	1		D		
8	990-51050-253	BOLT,HEX,5X25	1		B		
9	992-10050-062	WASHER,S,5	1		D		
10	249-0630G-201	SPACER	1		D		
11	380-0635D-200	BOLT,SPECIAL	1		C		

FIG.6 HANDLE

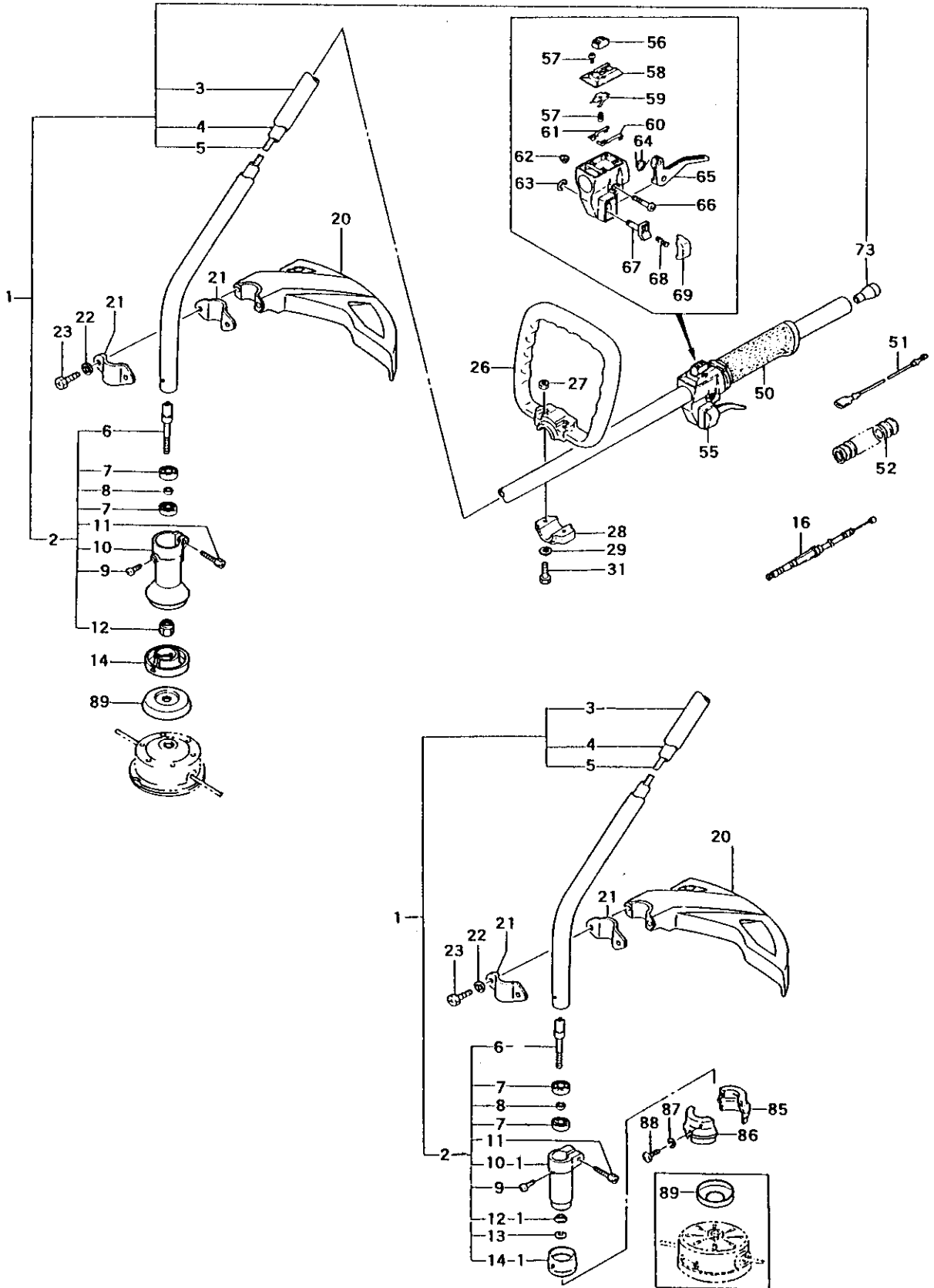


FIGURE 6

TBC-4000 PARTS LISTING

REF.	PART NO.	PART DESCRIPTION	Q	C	S	SERIAL NO.	REMARKS
1	343-37718-00	PIPE,DRIVE SHAFT SET	1		A		Contains pipe, liner, shaft & gearcase as per PI-3036
2	299-37710-00	SET,GEAR CASE	1		C	~L247577	
2	300-37710-90	CASE,GEAR,ASS'Y	1		D	L247578~	
3	341-37715-20	PIPE,DRIVE SHAFT	1		C		
4	350-37651-210	LINER,FLEXIBLE	1		B		
5	344-37651-21	SHAFT,FLEX	1		A		
6	304-37651-21	SHAFT,CUTTER	1		C		
7	999-61608-004	BEARING,BALL,608DD	2		C		
8	348-37651-20	COLLAR	1		D		
9	990-11050-101	SCREW,5X10	1		B	~L247577	
9	990-11050-081	SCREW,5X8	1		C	L247578~	
10-1	300-37651-200	CASE,GEAR	1		D	~L247577	
10	300-37710-20	CASE,GEAR	1		D	L247578~	
11	994-25050-301	BOLT,PS,5X30	1		D		
12-1	760-37651-200	WASHER,SPECIAL	1		D	~L247577	
12	315-37710-200	NUT,SPECIAL	1		C	L247578~	
13	992-10080-012	WASHER,S,8	1		B	~L247577	
14-1	310-37651-200	HOLDER,CUTTER	1		D	~L247577	
14	310-37710-20	HOLDER,CUTTER	1		B	L247578~	
16	885-00025-800	WIRE,THROTTLE	1		C		
20	441-37701-810	COVER,SAFETY	1		C		
21	442-37710-200	BRACKET,SAFETY GUARD	2		C		
22	992-10060-012	WASHER,S,6	2		A		
23	990-23060-161	BOLT,6X16 PLUS	2		C		
26	500-37704-20	HANDLE	1		C		
27	991-01060-011	NUT,6	2		A		
28	506-37704-200	BRACKET,HANDLE A	2		D		
29	992-01060-011	WASHER,6	2		A		
31	990-23060-401	BOLT,P,6X40	2		D		
50	504-37400-200	GRIP,SHAFT	1		D		
51	178-37300-801	CORD,STOP	2		C		
52	164-10014-010	TUBE,PROTECTION	1		D		
55	870-37400-900	LEVER,THROTTLE ASS'Y	1		C		
56	162-37101-200	SWITCH,STOP	1		C		
57	993-42030-081	SCREW, TAPPING, 3X8	3		D		
58	259-37101-200	BASE,STOP SWITCH	1		C		
59	262-37101-200	SPRING,STOP SWITCH	1		D		
60	177-37101-200	TERMINAL,EARTH B	1		C		

* Indicates the part is included in a kit or assembly and is not available individually. Q=Quantity used C=Interchangeability S=Stocking code: A=Fast moving B=Med. fast C=Med. move D=Slow move E=N.L.A. F=Superseded or replaced by a new part

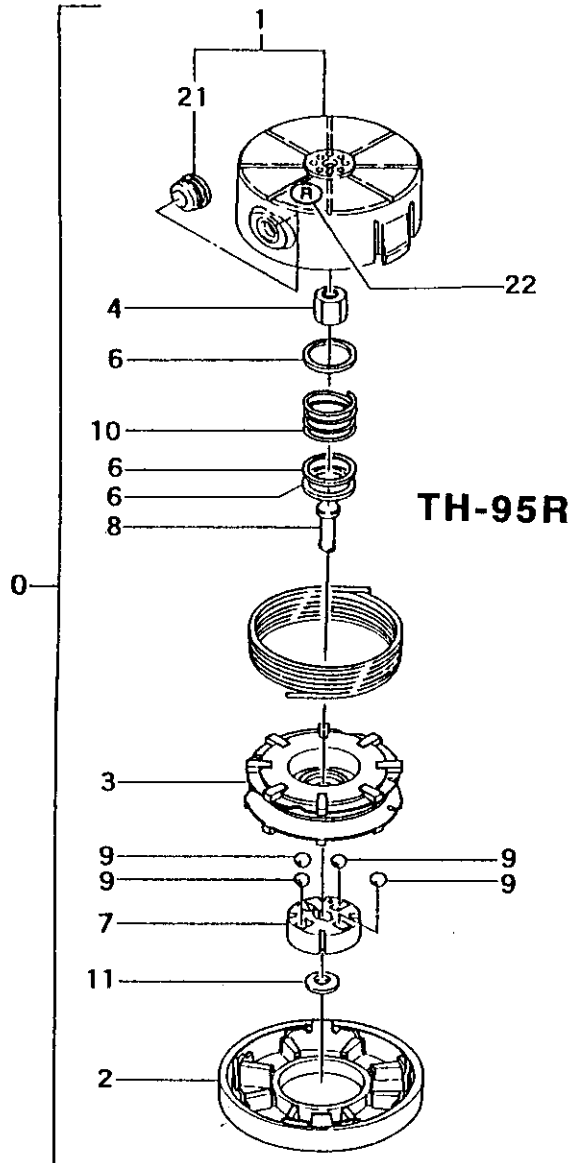
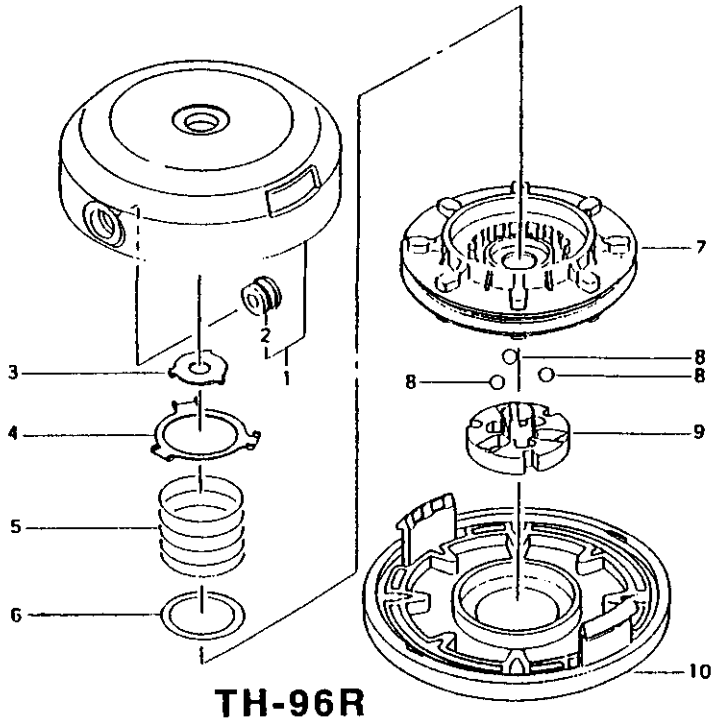
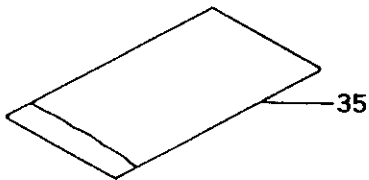
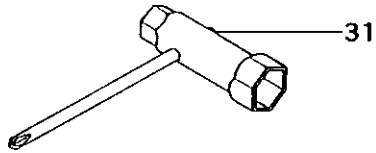
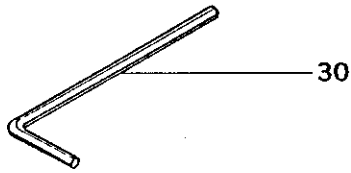
FIGURE 6 cont.

TBC-4000 PARTS LISTING

REF.	PART NO.	PART DESCRIPTION	Q	C	S	SERIAL NO.	REMARKS
61	176-37101-200	TERMINAL,EARTH A	1		D		
62	991-86050-000	NUT,LOCK,5	1		D		
63	993-55060-001	RING,STOP,6	1		D		
64	832-37101-200	SPRING,RETURN	1		C		
65	880-37101-200	LEVER,THROTTLE	1		B		
66	994-31050-251	SCREW,S.,5X25	1		C		
67	853-37101-200	SHAFT,LOCK BUTTON	1		D		
68	958-37101-200	SPRING,LOCK,BUTTON	1		D		
69	956-37101-200	BUTTON,LOCK	1		D		
73	320-37651-200	SPACER	1		D		
85	306-37651-201	PROTECTOR,WINDING,C	1		D	~L247577	
86	308-37651-201	PROTECTOR,WINDING,B	1		D	~L247577	
87	992-10050-012	WASHER,S,5	2		A	~L247577	
88	990-11050-201	SCREW,MX20	2		D	~L247577	
89	307-37651-200	PROTECTOR,WINDING	1		D	~K075476	
89	307-37301-201	PROTECTOR,WINDING	1		D	K075477~	

* Indicates the part is included in a kit or assembly and is not available individually. Q=Quan. used C=Interchangeability S=Stocking code: A-Fast moving B=Med. fast C=Med. move D=Slow move E=N.L.A. F=Superseded or replaced by a new part

FIG.7 TOOLS & NYLON HEAD



(OPTIONAL PARTS)

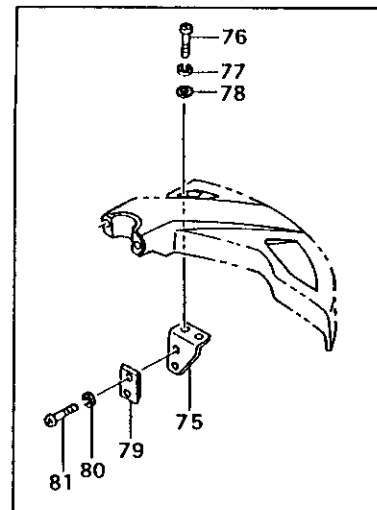


FIGURE 7

TBC-4000 PARTS LISTING

REF.	PART NO.	PART DESCRIPTION	Q	C	S	SERIAL NO.	REMARKS
0	783-33071-91	HEAD,BRAIN,R	1		B		TH-95R
1	786-33004-900	BODY,CUTTING,ASS'Y	1		A		
2	789-33004-21	CAP,BODY	1		A		
3	787-33004-202	REEL,(R S M X)	1		A		
4	315-33071-200	NUT,RH,OLIVE,8X1.25	1		B		
6	792-33004-200	WASHER,REEL	3		A		
7	790-33004-200	SLIDER,REEL	1		A		
8	791-33004-200	HOOK,REEL SLIDER	1		A		
9	673-35600-20	BALL,STEEL	4		B		
10	793-33071-200	SPRING,REEL,GREEN	1		A		
11	358-02103-200	WASHER,CLUTCH A	1		A		
21	788-33071-20	EYELET	2		A		
22	926-33071-200	DECAL	1		E		
30	813-20000-200	WRENCH,HEX,4	1		D		
31	829-20000-80	SPANNER,COMBI,13X19	1		C		
35	948-39907-200	BAG,TOOL	1		D		
75	798-37714-20	BRACKET,LIMITER	1		C		
76	990-11050-161	SCREW,5X16	2		B		
78	992-01050-011	WASHER,5	2		A		
79	797-37714-20	BLADE,LINE LIMITER	1		C		
80	992-10040-012	WASHER,S,4	2		B		
81	990-11040-081	SCREW,4X8	2		C		

REF.	PART NO.	PART DESCRIPTION	Q	C	S	SERIAL NO.	REMARKS
0	783-33820-90	HEAD,AUTO,(TH-96R)	1		B		TH-96R NOTE: This head can be fitted on any TBC-4000
1	786-33810-90	BODY,CUTTING	1		B		
2	788-33071-20	EYELET	2		A		
3	760-33810-20	WASHER,MOUNTING	1		A		
4	785-33810-20	BASE,ADJUSTMENT	1		B		
5	793-33820-20	SPRING, REEL,	1		A		
6	792-33810-20	WASHER,ADJUSTMENT	1		A		
7	787-33810-20	REEL	1		B		
8	673-35600-20	BALL,STEEL	3		B		
9	790-33810-20	SLIDER,REEL	1		B		
10	789-33810-20	CAP,BODY	1		B		

* Indicates the part is included in a kit or assembly and is not available individually. Q=Quan. used C=Interchangeability S=Stocking code: A=Fast moving B=Med. fast C=Med. move D=Slow move E=N.L.A. F=Superseded or replaced by a new part

FIG.8 MARKS

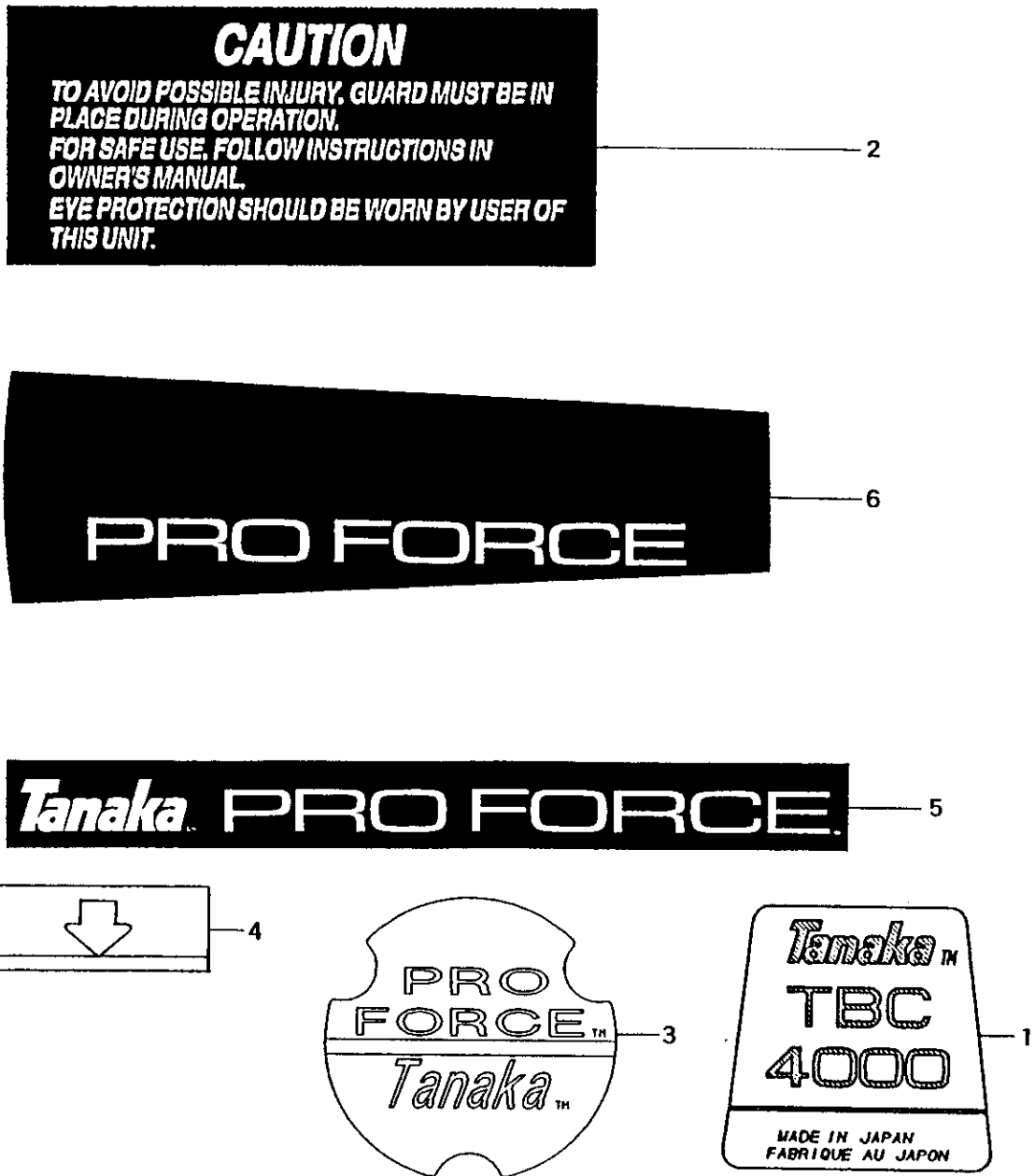


FIGURE 8

TBC-4000 PARTS LISTING

REF.	PART NO.	PART DESCRIPTION	Q	C	S	SERIAL NO.	REMARKS
1	906-37724-20	DECAL,TBC-4000	1		D		
2	919-37701-200	DECAL	1		D		
3	950-37503-200	DECAL,PRO-FORCE A	1		D		
4	923-37400-200	DECAL,LEVEL	1		D		
5	951-37503-200	DECAL,PRO-FORCE B	1		D		
6	933-37710-200	DECAL,SYMBOL	1		D		