

Tanaka Illustrated Parts Manual

Model Number:

TBC-340/D

GRASS TRIMMER / BRUSHCUTTER

P/N 30648

Rev 000

Date 8-31-06



Supplier To The Outdoor Power Equipment Industry

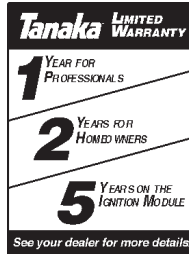
Tanaka America • 1028 4th Street SW Ste "B" • Auburn, WA 98001 • Phone: (253) 333-1200 • Fax: (253) 333-1212

Tanaka **PRODUCT INFORMATION**

TBC-340D

Grass Trimmer / Brush Cutter

NEW for 2002



Deluxe double shoulder strap included

Features / Benefits:

- **32cc, 1.8 hp engine** features two piston rings and a stress relieved, chrome plated cylinder for long engine life.
- **Bearing supported, solid steel drive shaft** provides smooth and efficient power transfer from the engine to the cutting head.
- **Heavy-duty anti-vibration system** includes padded front handles and heavy-duty rubber mount between the engine and shaft.
- **Split dual handles** help reduce fatigue and provides more control during extended periods of use.
- **1 / 2 / 5 Warranty Coverage** provides **One-Year** coverage for professionals, **Two-Year** Coverage for Homeowners, and **Five Years** on the Electronic Ignition Module.

TBC-340D Specifications

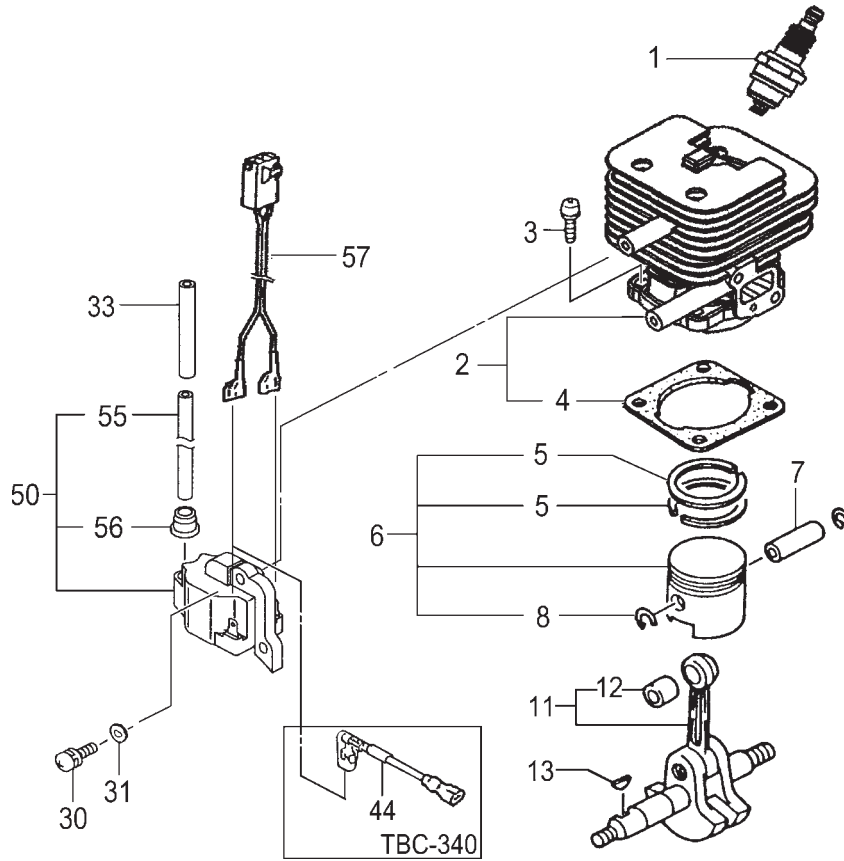
Engine Displacement cc (cu. in.)	32 (1.9)
Power (h.p.)	1.8
Cylinder	Chrome Plated, Stress Relieved
Carburetion	Walbro Diaphragm w/ Primer
Ignition System	Transistorized Electronic
Fuel Tank Capacity / fl. oz. (cc)	18.6 (550)
Anti-Vibration	Engine Mount & Handle
Clutch System	Heavy Duty Centrifugal
Shaft Support	5 Shaft Bearings
Drive System	7mm Solid Steel Shaft
Standard Cutting Head (746451)	5" Semi-Automatic Feed (.095" Line)
Standard Cutting Blade (746104)	9" - 80 Tooth Saw Blade
Dry Weight / lbs. (kg) w/head	12.6 (5.7)

Optional Accessories:

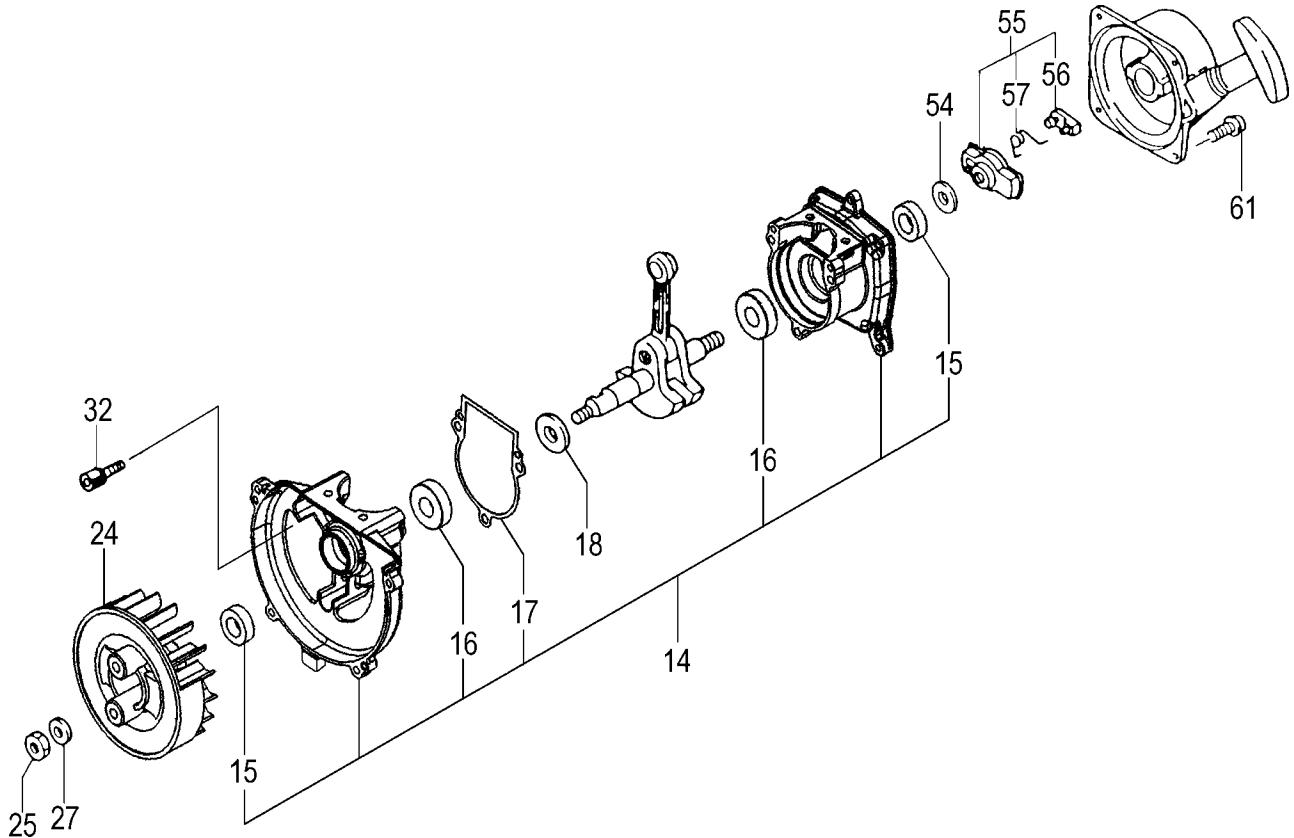
ORDER #	DESCRIPTION
Varies	Perfect Mix® 2-Cycle Engine Oil
746751	BRAIN® automatic feed head
746280	Aluminum fixed line head
746290	Aluminum manual feed head
Varies	Assorted brush & weed blades
746191	Single shoulder strap
746291	Deluxe double shoulder harness
TMC-200	Cultivator attachment
Varies	Copolymer nylon cutting line

All data and specifications are subject to change without notice
 For more information, contact:

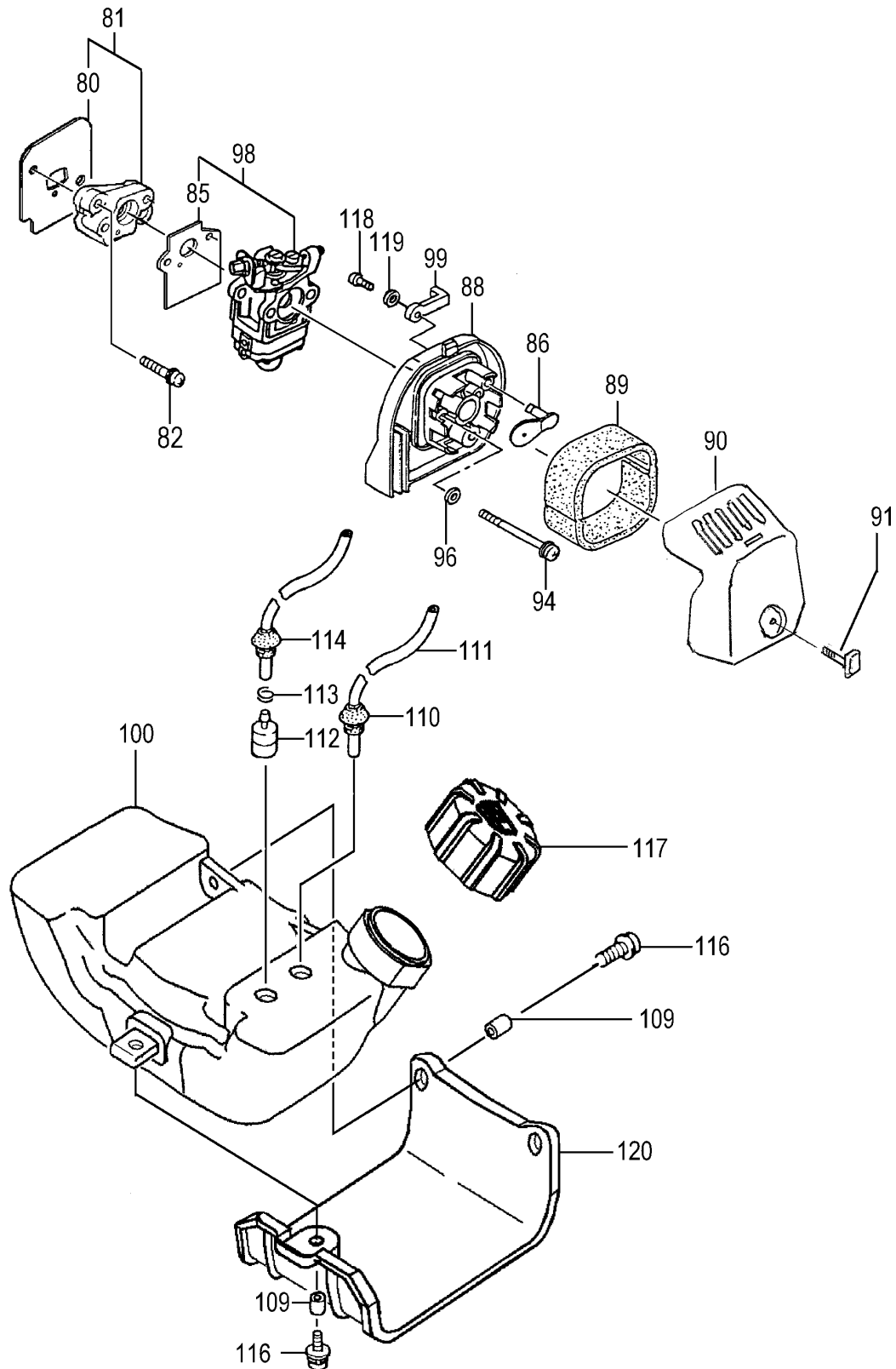
CYLINDER, PISTON, CRANKSHAFT, IGNITION • FIGURE 1



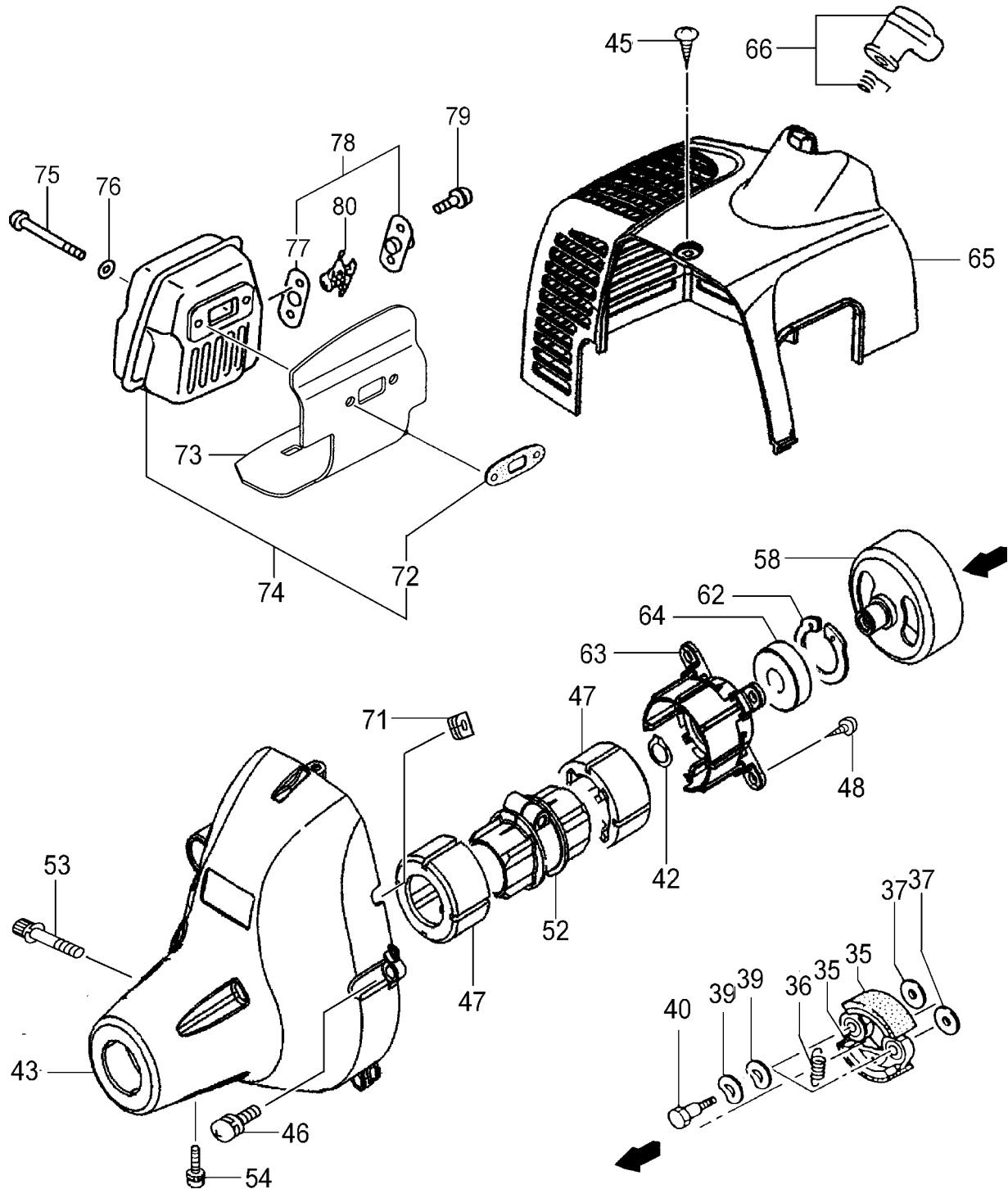
ITEM	PART NUMBER	DESCRIPTION	QTY	COMMENTS
1	0181161021	PLUG, SPARK	1	
2	0010703190	CYLINDER SET	1	Includes gasket
3	99461050164	BOLT, HEX, 5X16, S	4	
4	0170702020	GASKET, CYLINDER	1	
5	04101730200	RING, PISTON	2	
6	0300703090	PISTON SET	1	Includes rings and circlips
7	03701400200	PIN, PISTON	1	
8	03900000201	CIRCLIP, PISTON PIN	2	
11	0460702080	CRANKSHAFT	1	
12	99962091325	BEARING, NEEDLE, F-910	1	
13	06810100200	KEY, WOODRUFF, 3X13X4.5	1	
30	99461040154	BOLT, HEX, 4X15S	2	~Z308900
30	99464040184	BOLT, HEX, 4X18WS	2	Z308901~
31	99200040011	WASHER, 4	2	~Z308900
31	1820186A201	WASHER, 6	2	Z308901~
33	2500702020	TUBE, INSULATOR	1	
44	1780703B80	CORD, STOP B	2	TBC-340 only
50	1672054691	COIL, IGNITION	1	~Z308900
50	1672054991	COIL, IGNITION	1	Z308901~
55	1782054620	CORD B	1	~Z308900
55	1782054920	CORD B 140L	1	Z308901~
56	56020517200	CAP, RUBBER	1	
57	1910702590	WIRE, REED ASS'Y	1	TBC-340D only



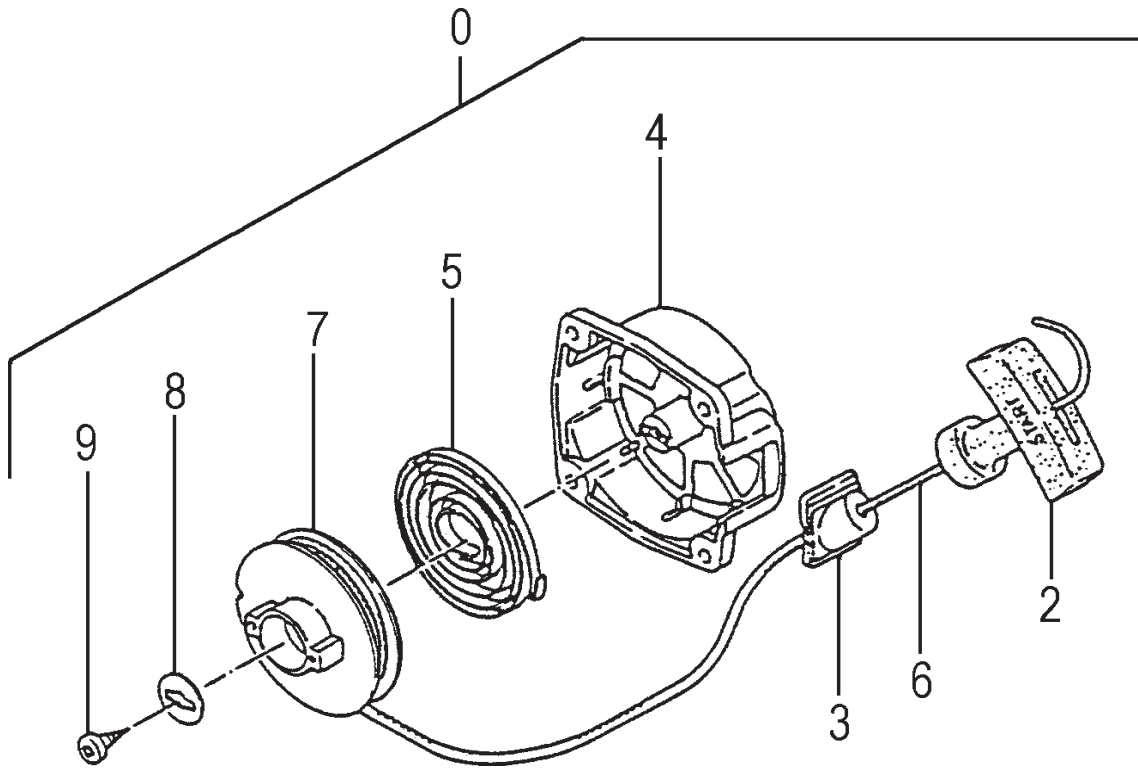
ITEM	PART NUMBER	DESCRIPTION	QTY	COMMENTS
14	0720702090	CRANKCASE	1	
15	99966122240	SEAL,OIL	2	
16	99961600100	BEARING,BALL,#6001	2	
17	0900702020	GASKET,CRANKCASE	1	
18	33000200210	SHIM,12.2X19X.10	1	
18	33000200220	SHIM,12.2X19X.15	1	
18	33000200230	SHIM,12.2X19X.20	1	
18	33000200240	SHIM,12.2X19X.30	1	
24	1552054980	ROTOR,MAGNETO	1	
25	99101080011	NUT,8	1	
27	99200080011	WASHER,8	1	
32	99461050164	BOLT,HEX,5X16,S	3	
54	35910112203	WASHER,CLUTCH B	1	
55	7980166R90	PULLEY,STARTER,ASS'Y	1	
56	7880138A20	PAWL,STARTER	1	
57	7900162V200	SPRING,PAWL,STARTER	1	
61	99415040182	SCREW,PS,4X18	4	



ITEM	PART NUMBER	DESCRIPTION	QTY	COMMENTS
80	4030143C21	GASKET,INLET MANIFOLD	1	
81	4040143C90	INSULATOR,SET	1	
82	99416050221	SCREW,5X22/WS	2	
85	4020656A200	GASKET	1	
86	5280702021	PLATE,CHOKE	1	
88	4230652N80	BODY,AIR CLEANER	1	
89	4460652N20	CLEANER,ELEMENT	1	
90	4520703520	COVER,AIR CLEANER	1	
91	4500702480	BOLT,CLEANER COVER	1	
94	99414050571	SCREW,5X57,S	2	
96	99200050011	WASHER,SMALL,5	2	
98	4550703790	CARBURETOR SET	1	
99	5230652N20	LEVER,CHOKE	1	
100	5910702180	TANK,FUEL	1	
109	6590430020	COLLAR,C	1	
110	22206300200	GROMMET,FUEL PIPE	1	
111	70003005080	PIPE,FUEL 3X5X80	1	
112	6750404280	FILTER,FUEL	1	
113	68000731201	CLIP 6.3	1	
114	2230162V900	PIPE,FUEL,ASS'Y	1	
116	99463050205	BOLT,HEX,5X20PS	3	
117	5950300290	CAP,TANK (BLACK/RED)	1	
118	99075040154	SCREW,TAPPING,4X15	1	
119	99201040011	WASHER,4	1	
120	9410703520	STAND	1	



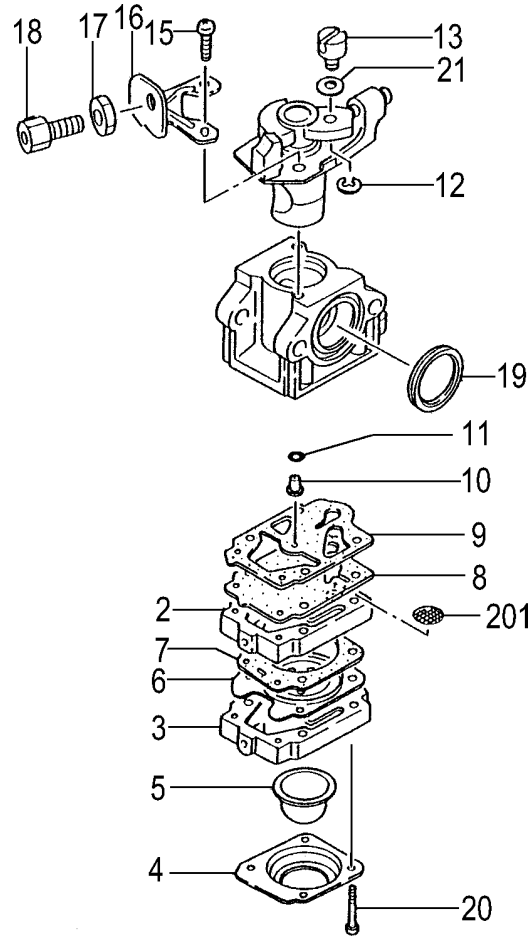
ITEM	PART NUMBER	DESCRIPTION	QTY	COMMENTS
35	2900138A80	SHOE,CLUTCH	2	
36	3420138A20	SPRING,CLUTCH	1	
37	35910112203	WASHER,CLUTCH B	2	
39	99204100030	WASHER,WAVE,10	4	
40	3570136U200	BOLT,STEP,CLUTCH	2	
42	99350012002	RING,STOP,C-12 EX	1	
43	1120702181	CASE,FAN	1	
45	99073045124	SCREW,TAPPING,4.5X12	1	
46	99416050162	SCREW,5X16/WS	4	
47	5990702020	CUSHION	2	
48	99072050144	SCREW,TAPPING,5X14	4	
52	3600703020	HOLDER,PIPE	1	
53	99461050254	BOLT,HEX HOLE,5X25S	1	
54	99414040121	SCREW,4X12/S	1	
58	2890703180	SHAFT,CLUTCH	1	
62	99353032002	RING,STOP,R-32 INNER	1	
63	0880702020	CASE,BEARING	1	
64	99961620101	BEARING,BALL #6201ZZ	1	
65	7380702120	PROTECTOR,MUFFLER	1	
66	15701570900	CAP,SPARK PLUG,ASS'Y	1	
71	20311660200	GROMMET,PRIMARY CORD	1	
72	7370165A201	GASKET,MUFFLER	1	
73	1330702020	SHIELD,HEAT	1	
74	7040702090	MUFFLER SET	1	
75	99053060553	SCREW,HEX.HOLE	2	
76	99201060011	WASHER,6	2	
77	7510702020	GASKET,MUFFLER	1	
78	7340703790	PIPE,TAIL,SET	1	
79	99434040081	SCREW,4X8/S	2	
80	7320631A21	ARRESTER,SPARK	1	



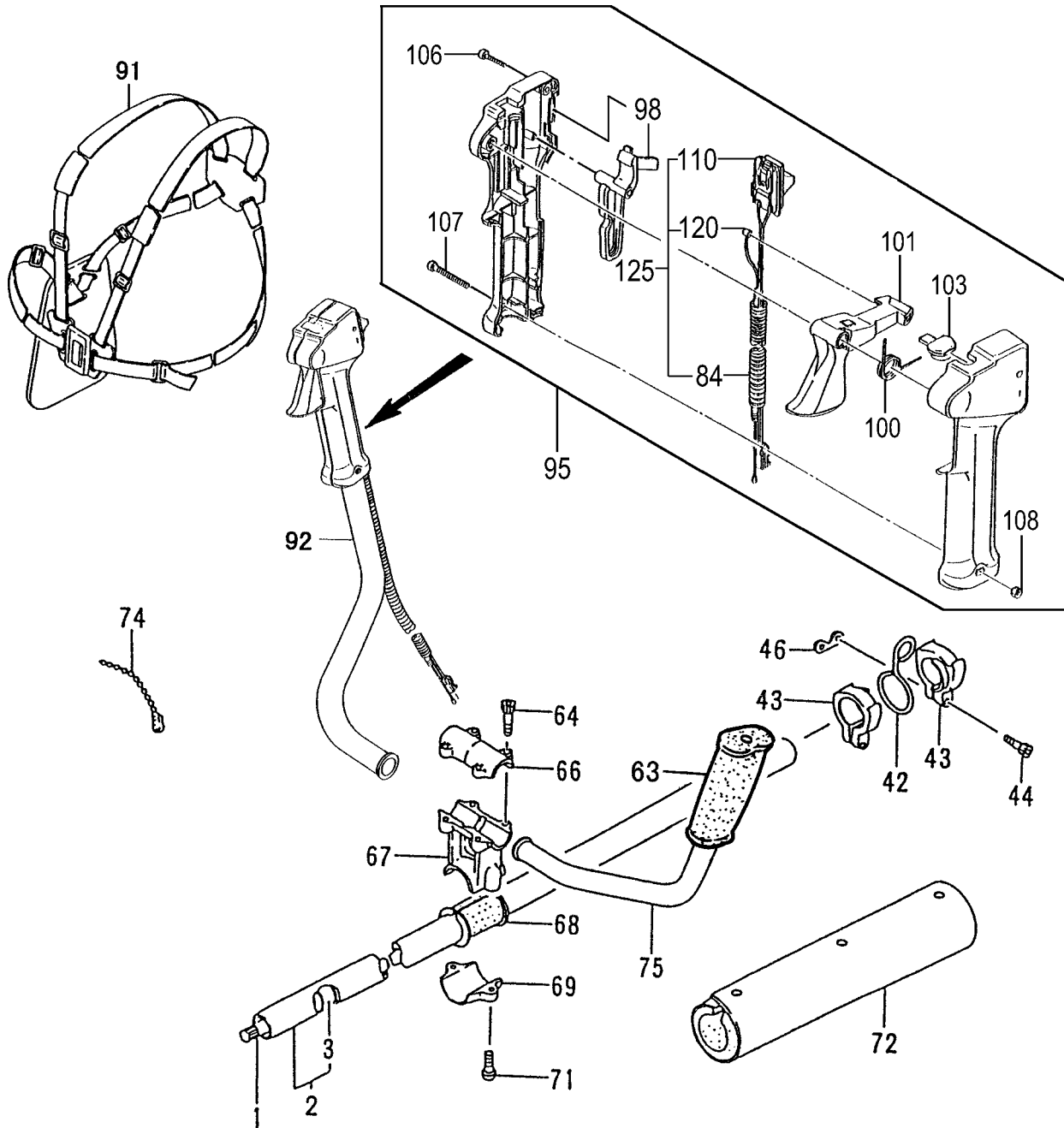
748732

Consider ordering the 748732, S-Start Kit if you are replacing the starter ass'y. It decreases the pull-effort by 60%. They are dependable and easy to install.

ITEM	PART NUMBER	DESCRIPTION	QTY	COMMENTS
0	7620162V900	STARTER,RECOIL ASS'Y	1	
2	78501620200	HANDLE,STARTER	1	
3	78006150200	GUIDE,ROPE	1	
4	77206150200	BODY,RECOIL STARTER	1	
5	7790136U200	SPRING,RECOIL	1	
6	7830162V200	ROPE,STARTER,3.5X890	1	
7	7740162V200	REEL,STARTER ROPE	1	
8	8010162V200	WASHER,ROPE REEL	1	
9	83900025200	SCREW,SET	1	

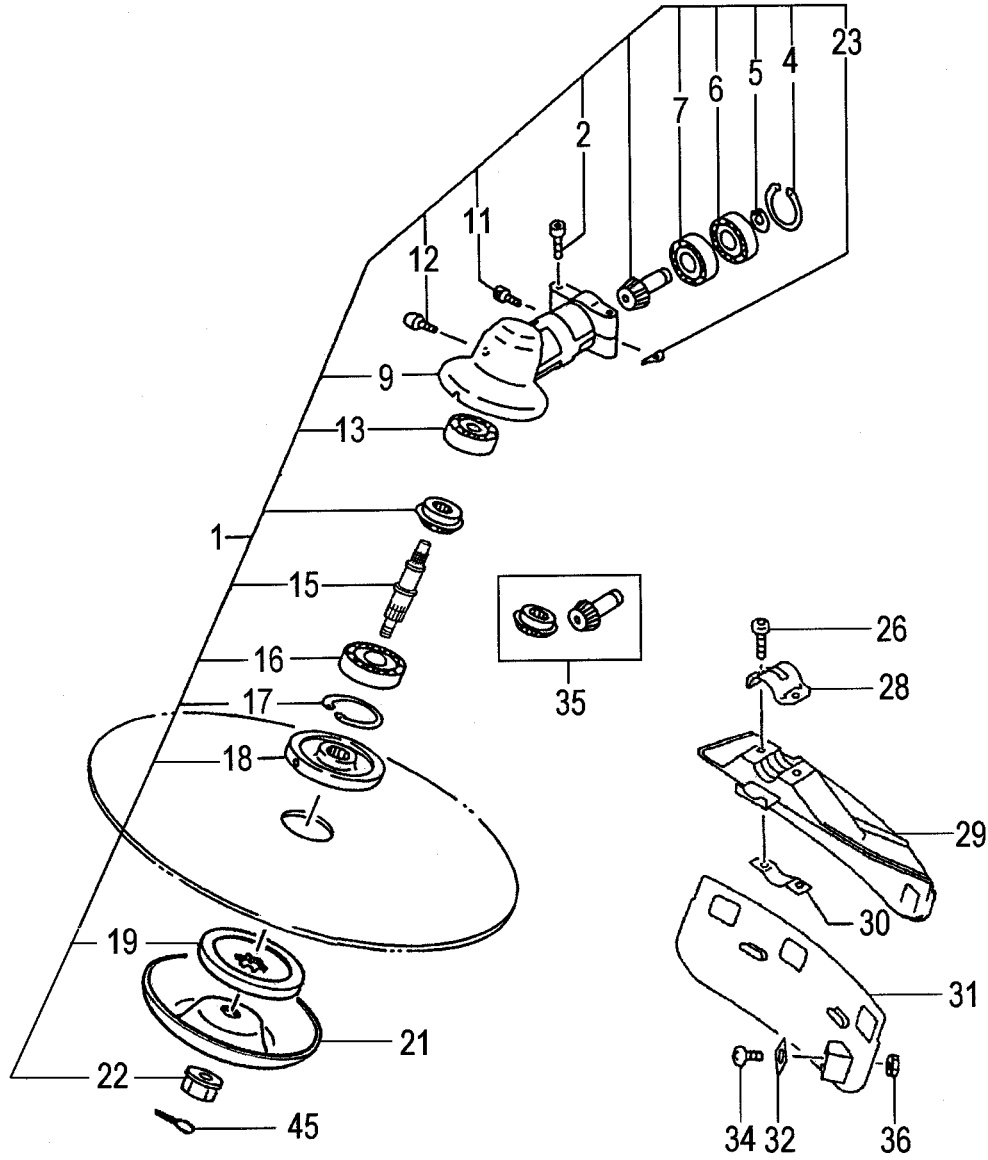


ITEM	PART NUMBER	DESCRIPTION	QTY	COMMENTS
	4550703790	CARBURETOR SET	1	Includes gasket
2	5752515380	BODY,PUMP	1	
3	4422515180	PUMP,PRIMING	1	
4	4762515120	COVER,DIAPHRAGM	1	
5	44725108200	BULB,PRIMING	1	
6	~ ~ ~	DIAPHRAGM,METERING	1	~ Included in Carb Kit #650.25124.900
7	~ ~ ~	GASKET,DIAPHRAGM	1	Not available individually
8	~ ~ ~	DIAPHRAGM,PUMP	1	
9	~ ~ ~	GASKET,PUMP	1	
10	5992000W430	JET,MAIN,#43	1	
11	55025100200	O-RING	1	
12	48925100200	RING,STOP	1	
13	53925120200	SWIVEL	1	
15	51425100200	SCREW,THROTTLE SET	2	
16	54425164200	STAY,ADJUST,CABLE	1	
17	99101060013	NUT,6	1	
18	61425137200	ADJUSTER,CABLE	1	
19	4310634C200	GASKET,CLEANER	1	
20	5482515120	SCREW,SET	4	
21	5492516520	WASHER,THRUST	1	
201	57825007200	SCREEN,INLET	1	



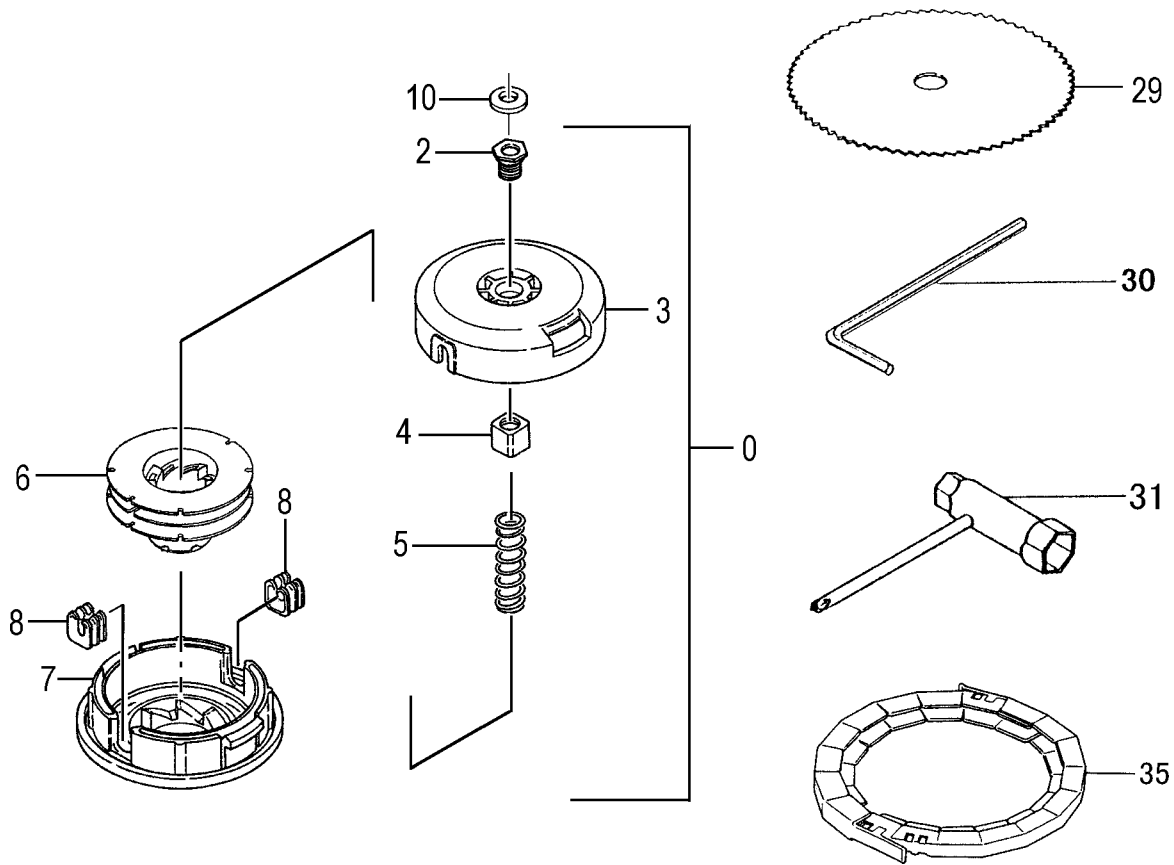
HANDLE, THROTTLE LEVER, SHAFT (TBC-340D) • FIGURE 7

ITEM	PART NUMBER	DESCRIPTION	QTY	COMMENTS
1	3433830220	SHAFT,DRIVE	1	
2	3413830081	PIPE,DRIVE SHAFT	1	
3	34737356900	BUSHING,DRIVE SHAFT	5	
42	33537307200	METAL,LIFTING	1	
43	33437352210	COLLAR,LIFTING METAL	2	
44	99462050304	BOLT,HEX HOLE 5x30.P	2	
46	31537304200	NUT,SPECIAL	1	
63	1653759020	GRIP,HANDLE	1	
64	99461050254	BOLT,HEX HOLE,5X25S	4	
66	50637623200	BRACKET,HANDLE,A	1	
67	5073785020	HANDLE BRACKET B	1	
69	5083758920	BRACKET,HANDLE	1	
71	99481060254	SCREW,HEX HOLE 6X25	2	
72	3363341182	CUSHION	1	
74	4603311120	CLAMP,B	1	
75	5023741521	HANDLE,LEFT	1	
84	1640708650	TUBE,PROTECTION	1	
91	746291	SHOULDER HARNESS ASSY	1	
92	5013716920	HANDLE,RIGHT	1	
95	8703840190	LEVER,THROTTLE ASSY	1	
98	2533840020	LEVER,SAFETY	1	
100	8323840020	SPRING,RETURN	1	
101	8803840120	LEVER,THROTTLE	1	
103	3223840020	GROMMET	1	
106	9934604020	SCREW	2	
107	99431050303	SCREW 5X30 BLACK	1	
108	99101050043	NUT,5	1	
110	1563840180	SWITCH,STOP	1	
120	8873840180	WIRE,THROTTLE	1	
125	8853840180	WIRE,THROTTLE,W/SWITCH	1	

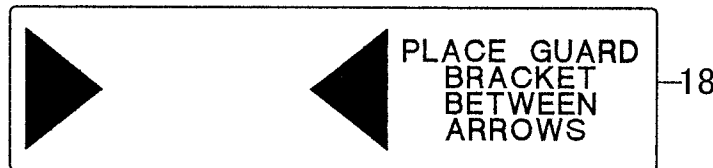
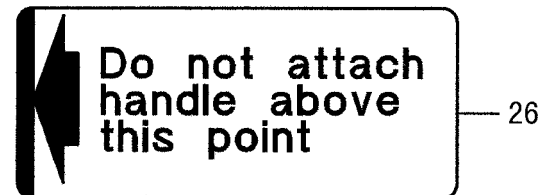
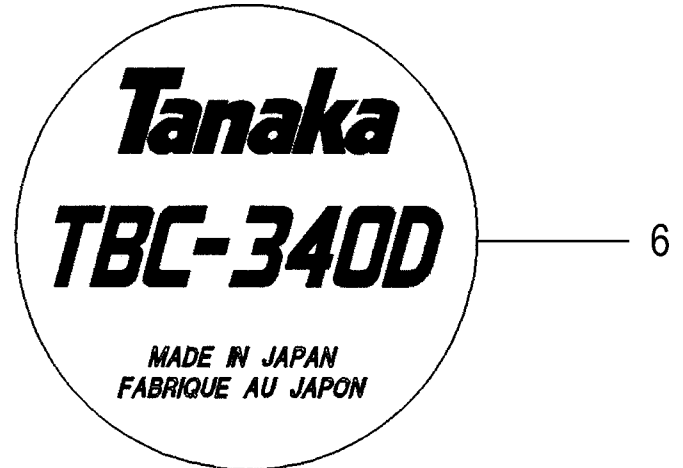
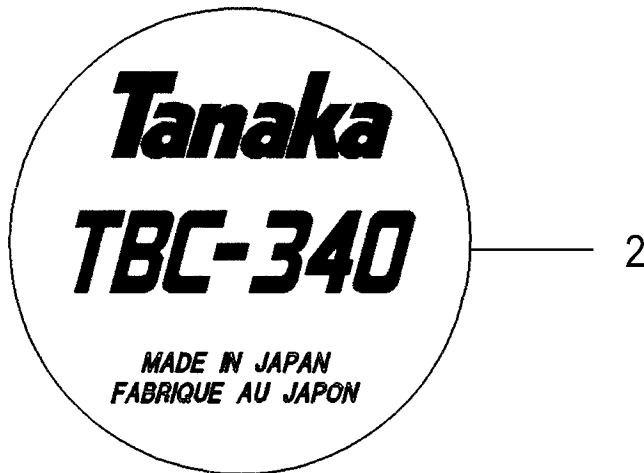
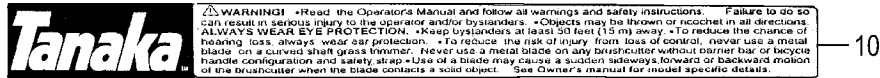


GEAR CASE, SAFETY GUARD (TBC-340D) • FIGURE 8

ITEM	PART NUMBER	DESCRIPTION	QTY	COMMENTS
1	3003748090	CASE,GEAR ASS'Y	1	
2	99461050254	BOLT,HEX HOLE,5X25S	2	
4	99351026002	RING,STOP,IN,C-26	1	
5	99357010002	RING,STOP,OUTER 10	1	
6	99961600002	BEARING,BALL,#6000Z	1	
7	99961600000	BEARING,BALL,#6000	1	
9	3003748020	CASE,GEAR	1	
11	99461050124	BOLT,HEX,5X12S	1	
12	3163815020	BOLT,FITTING,M8	1	
13	99961609000	BEARING,BALL,#609	1	
15	3043815020	SHAFT,GEAR	1	
16	99961620103	BEARING,BALL #6201D	1	
17	99351032002	RING,STOP,C-32 IN	1	
18	3103815020	HOLDER,CUTTER	1	
19	3113815020	CAP,CUTTER HOLDER	1	
21	3083815020	COVER,BOLT PROTECTOR	1	
22	3133815020	NUT,FIXING L.H. 10X1.25	1	
23	3243815020	WASHER,GEAR CASE	1	
26	99481060254	SCREW,HEX HOLE 6X25	2	
28	4423369921	BRACKET,SAFETY GUARD	1	
29	4413738020	GUARD,SAFETY	1	
30	4453738020	HOLDER,GUARD	1	
31	4473738020	EXTENSION,GUARD	1	
32	7973738021	LIMITER,LINE	1	
34	99414050121	SCREW,S,5X12	1	
35	3013748000	SET,GEAR,PINION	1	
36	99101050011	NUT,5	1	
45	3273718090	PIN,COTTER 2X20 (10 PK)	1	



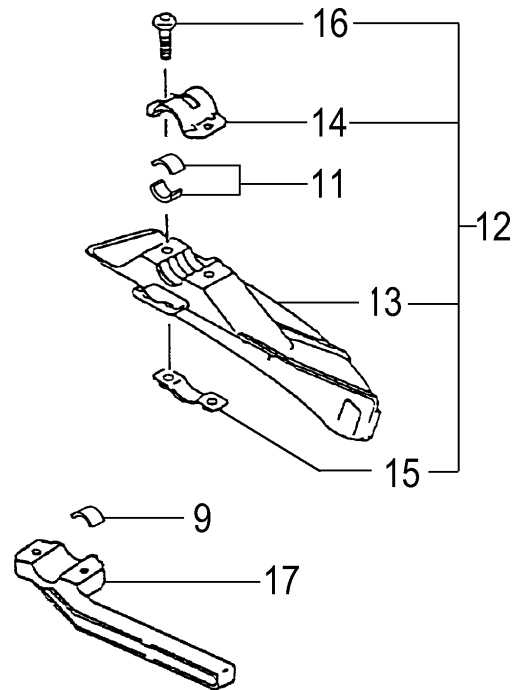
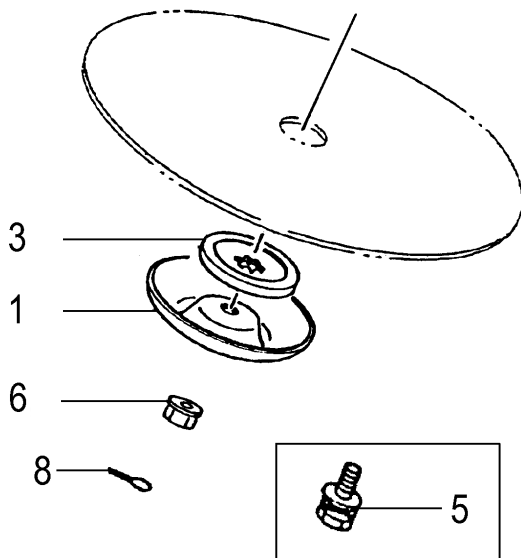
ITEM	PART NUMBER	DESCRIPTION	QTY	COMMENTS
0	746451	HEAD,SEMI-AUTO,5"	1	
2	3563383B20	ADAPTER,10x1.25 LHF	1	
3	7863383020	BODY,CUTTING	1	
4	3153383020	NUT,SPECIAL	1	
5	7933383020	SPRING,REEL	1	
6	7873383020	REEL	1	
7	7893383020	CAP,BODY	1	
8	7883383020	EYELET	2	
10	99201120011	WASHER,12	1	
29	746104	BLADE,SAW,9X80	1	
30	81320000200	WRENCH,HEX,4	1	
31	8262000080	SPANNER,COMBI,17X19	1	
35	6153722420	COVER,9-10"(SET OF 2)	2	



ITEM	PART NUMBER	DESCRIPTION	QTY	COMMENTS
2	9060703620	DECAL,TBC-340	1	
3	9290703620	DECAL,TBC-340	1	
4	9233370020	DECAL,LEVEL	1	
6	9060703520	DECAL,TBC-340D	1	
7	9290703520	DECAL,TBC-340D	1	
10	9193782020	DECAL,CAUTION A	1	
18	9233728620	DECAL,LEVEL	1	
26	9233738F20	DECAL,LEVEL	1	



WARNING! Read the owners manual and follow all warnings and safety instructions. Failure to do so can result in serious injury to the operator and/or bystanders. Never attempt to mount a steel blade to a machine that is not specifically designed for that purpose. Never attempt to mount a steel blade without using all components of the blade attachment kit, including shoulder strap and barrier safety bar.



ITEM	PART NUMBER	DESCRIPTION	QTY	COMMENTS
1	30833410200	COVER,PROTECTION,B,8mm	1	8mm
1	3083786120	COVER,BOLT PROTECTOR,10mm	1	10mm
3	3113754720	CAP,CUTTER HOLDER,8mm	1	for use with 8x1.25 nut
3	3113815020	CAP,CUTTER HOLDER,10mm	1	for use with 10x1.25 nut
5	3123338620	BOLT,FLANGED,10x1.25,LH	1	10x1.25 bolt
6	3133754720	NUT,FIXING L.H. 8X1.25	1	8x1.25 nut
6	3133833220	NUT,FIXING L.H.,10X1.25	1	10x1.25 nut
8	3273718090	PIN,COTTER 2X20 (10 PACK)	1	
9	44437609200	SPACER,BRACKET	1	for use with barrier bar, 24mm shafts
11	44437609200	SPACER,BRACKET	2	
12	30060	KIT,BLADE GUARD	1	
13	4413738020	GUARD,SAFETY	1	
14	4423369921	BRACKET,SAFETY GUARD	1	
15	4453738020	HOLDER,GUIDE	1	
16	99481060254	SCREW,HEX HOLE 6X25	2	
17	5203339820	BAR,BARRIER 26mm	1	
18	746191	STRAP,SHOULDER,PSS-175	1	Includes mounting bracket/hardware

Date: December 2004

Model & Serial: TBC-340/D

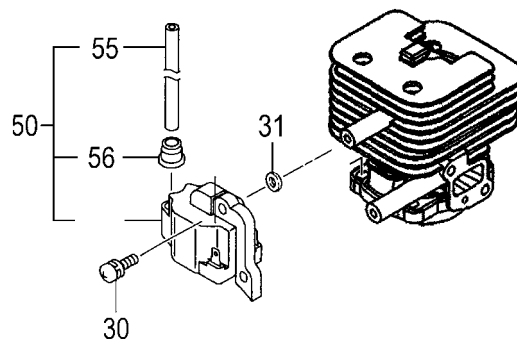
All Units After Serial Number Z308901

Reason: Our in-field monitoring program has indicated that some units may misfire when the engine temperature is very high. This is typically due to operating the engine at low engine RPM or with an excessive load.

The ignition coil and insulating washers listed below correct this high temperature misfire. Units experiencing misfiring issues should have the ignition coil and washers replaced to eliminate the problem.

Part Number Changes:

Reference #	Old Part #	New Part #	Description
# 50	167-20546-91	167-20549-91	Ignition coil assembly
# 55	178-20546-20	178-20549-20	High-tension cord 140L
# 31		182-0186A-201	Washer 1.6 (2 pcs)
# 30	994-63040-154	994-64040-184	Hex hole bolt 4x18WS (2 pcs)

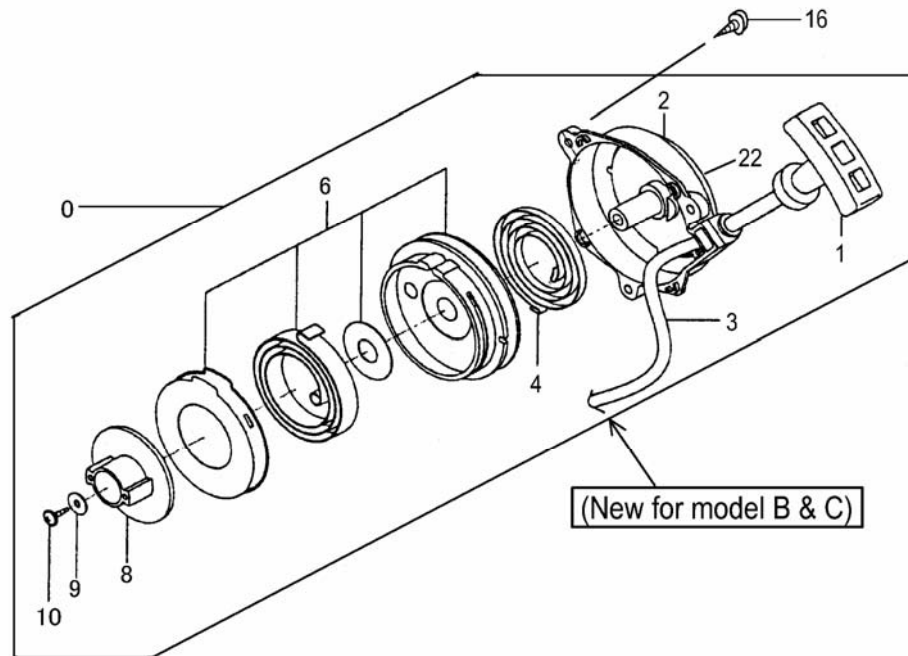
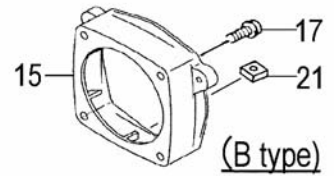
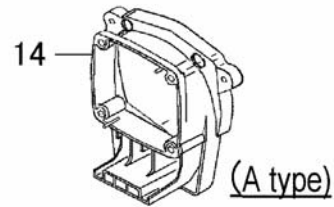
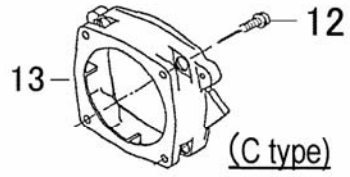
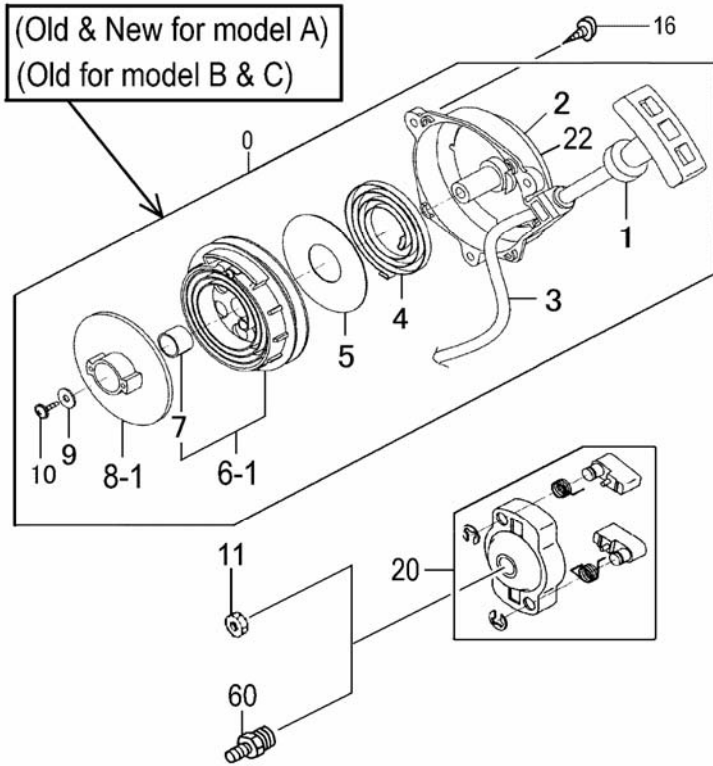


Tanaka is marketed exclusively by:



S · START KIT

	Order Number
A --- TBC2501/D, TPH2501, TPS-2501, TPE2501	748733
B --- TBC230/230B/230D	748744
C --- TBC290/290D/340/340D	748732



S-Start Parts Information

REF. NUMBER	PART NUMBER	DESCRIPTION	Q'TY		
			A	B	C
	756-07075-00	S·START KIT (TBC2501)	1		
	756-07120-00	S·START KIT (TBC230)		1	
	756-07027-00	S·START KIT (TBC290)			1
000	762-07075-90	RECOIL STARTER BODY ASS'Y	1		
000	762-07085-90	RECOIL STARTER BODY ASS'Y		1	
000	762-07027-90	RECOIL STARTER BODY ASS'Y			1
001	785-07085-20	STARTER HANDLE	1	1	1
002	772-07085-80	RECOIL STARTER BODY COMP,	1	1	1
003	783-07085-20	RECOIL ROPE	1	1	1
004	780-07085-20	RECOIL SPRING	1	1	1
005	786-07085-20	SPRING PLATE	1	1	1
006,1	778-07027-90	RECOIL SPRING CASE ASS'Y	1		1
006,1	778-07085-90	RECOIL SPRING CASE ASS'Y		1	
006,1	778-07075-90	RECOIL SPRING CASE ASS'Y	1		
006	778-07085-91	SORING CASE ASS'Y		1	1
007	328-07085-20	STARTER BUSH	1	1	1
008,1	774-07075-20	STARTER PULLEY	1		
008,1	774-07085-20	STARTER PULLEY		1	
008,1	774-07027-20	STARTER PULLEY			1
008	774-07085-21	STARTER PULLEY		1	
009	182-07085-20	SPECIAL WASHER 5.2X15	1	1	1
010	990-72050-144	TAPPING SCREW 5X14	1	1	1
011	991-01080-011	HEX. NUT 8			1
012	994-64040-185	HEX. HOLE BOLT 4X18WS			4
013	806-07027-20	STARTER BASE			1
014	806-07070-20	STARTER BASE	1		
015	806-07120-20	STARTER BASE		1	
016	990-73045-144	TAPPING SCREW 4.5X14	3	3	3
017	994-64040-125	HEX. HOLE BOLT 4X12WS		4	
020	798-07085-90	STARTER PULLEY ASS'Y	1	1	1
021	991-91050-001	SQUARE NUT 5		1	
022	915-07078-20	STARTER MARK (S·START)	1	1	1
060	314-07070-20	SPECIAL BOLT	1		