

Tanaka Illustrated Parts Manual

Model Number:

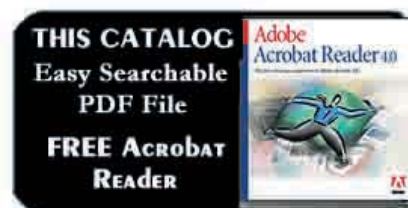
TBC-250SF

Smart Fit - Multi Task Tool

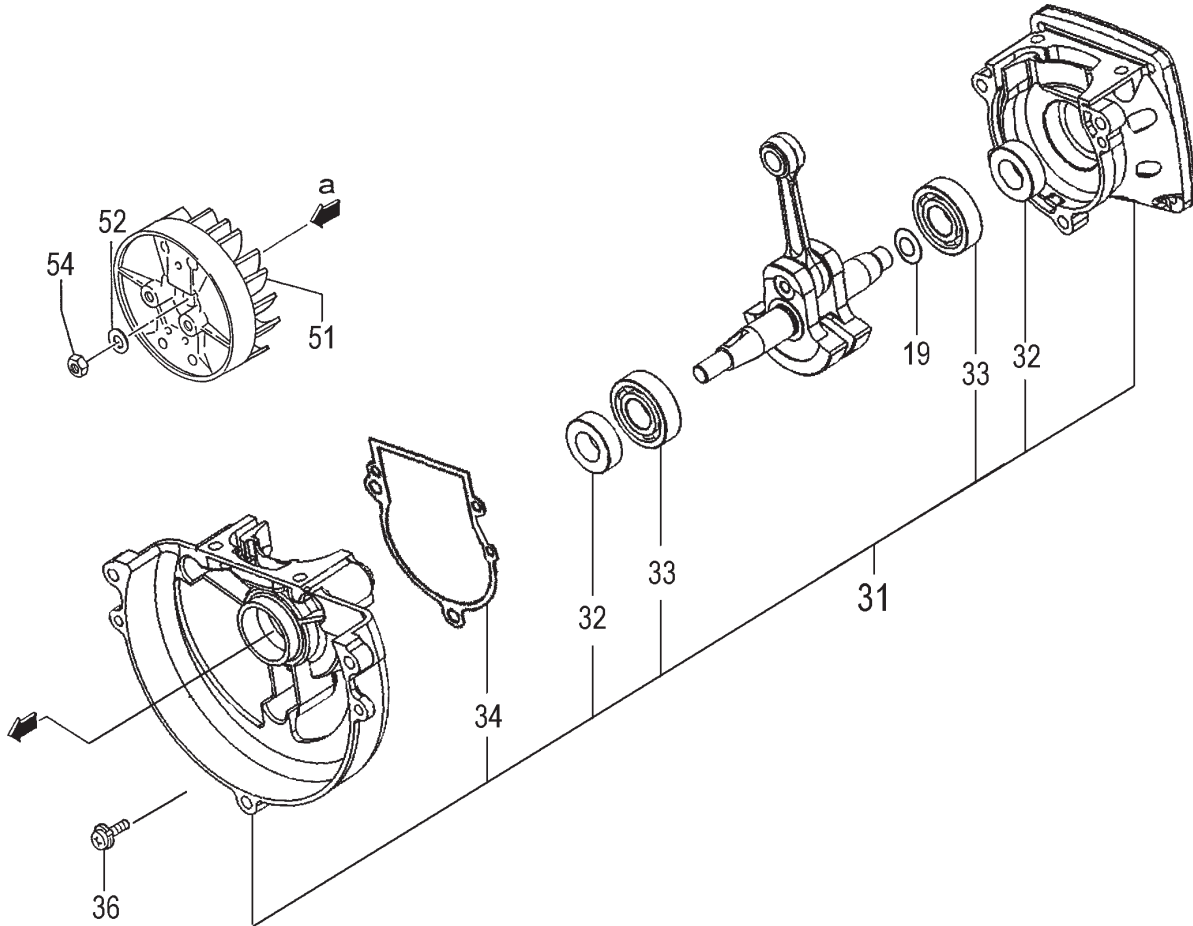
P/N 39727

Rev 000

Date 5-3-07

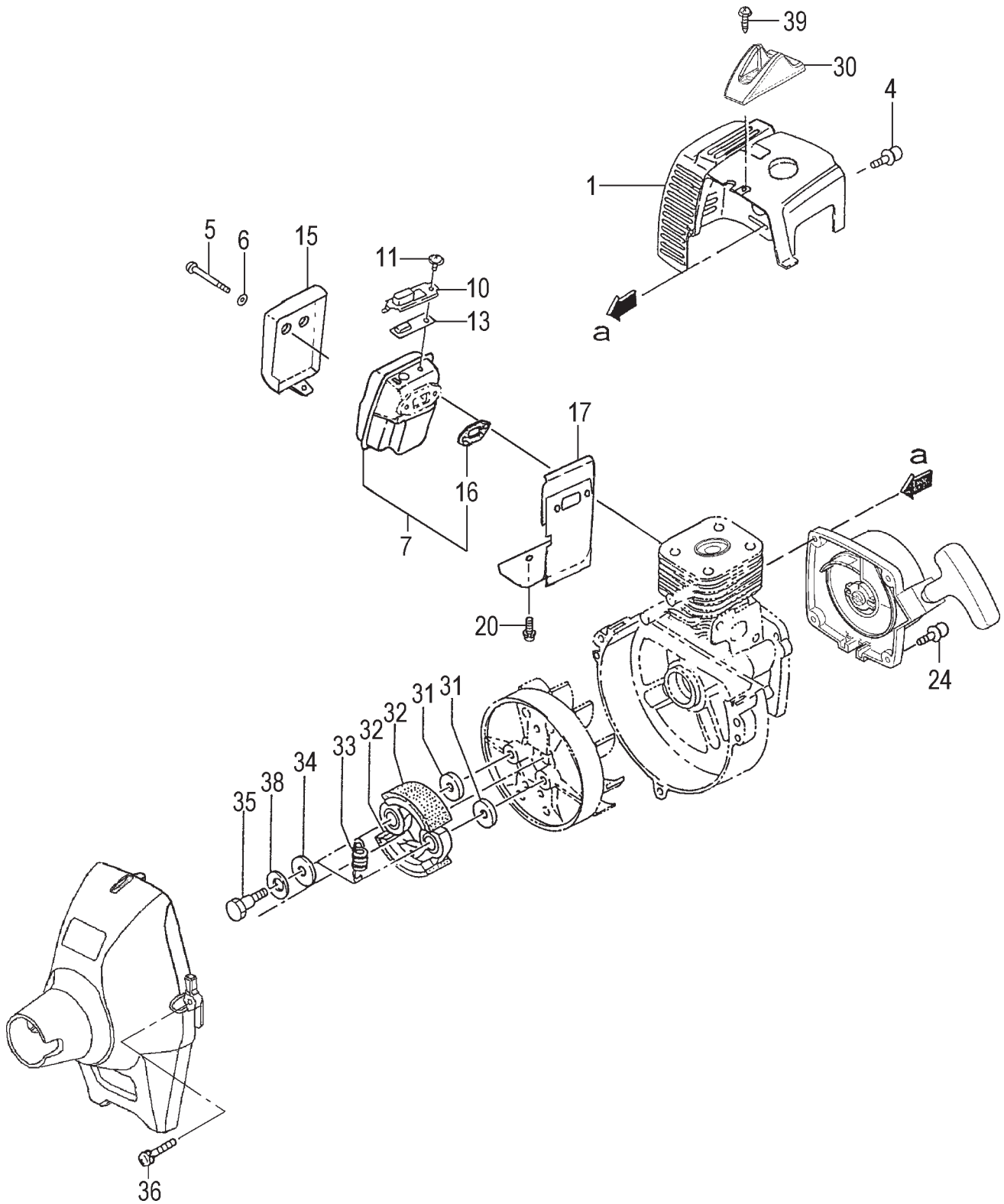


Nikko Tanaka Engineering U.S.A.,Ltd. • 1028 4th Street SW, Bldg B • Auburn, WA 98001 • Phone: (253) 333-1200 • Fax: (253) 333-1212



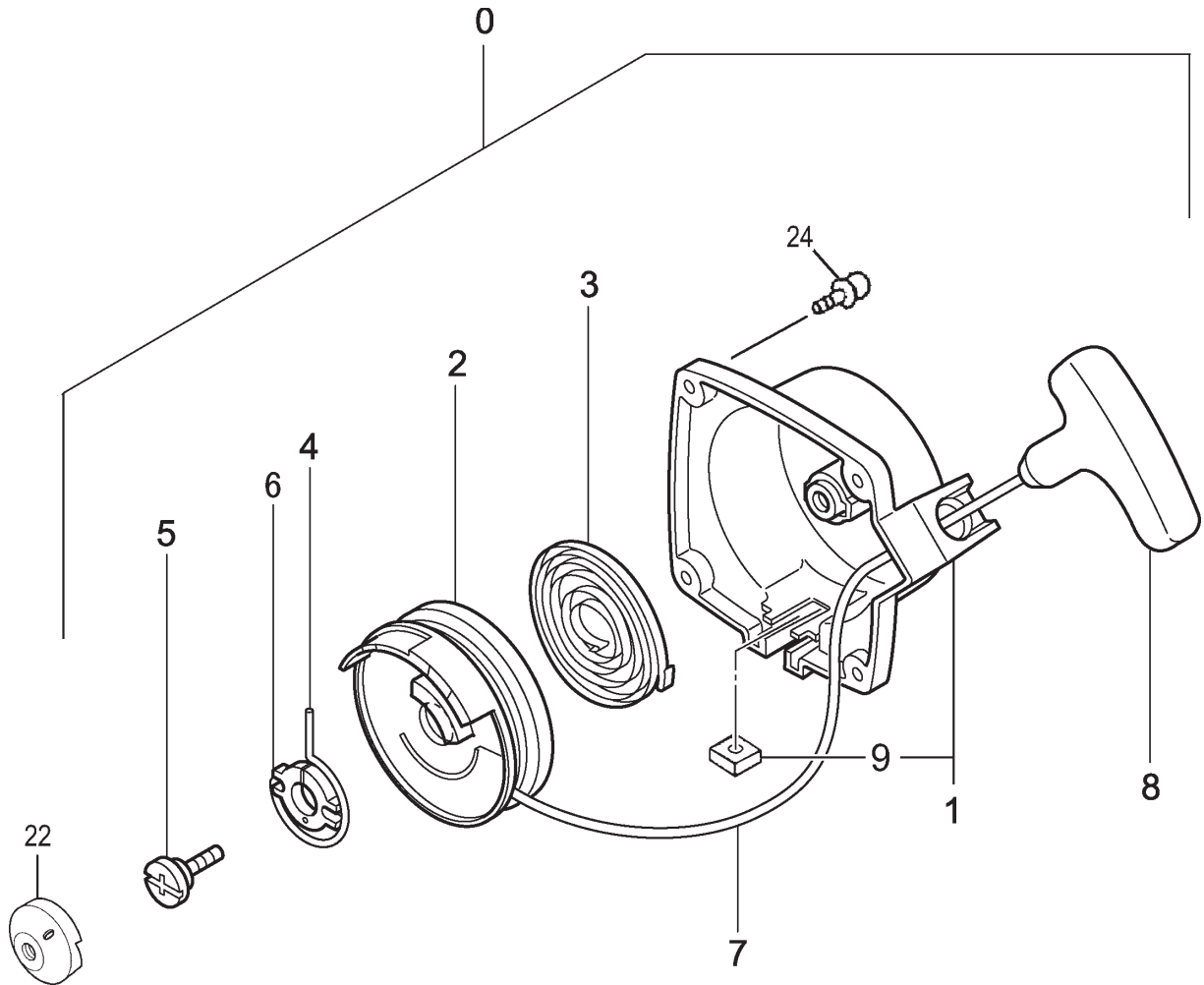
ITEM	PART NUMBER	DESCRIPTION	QTY	COMMENTS
2-19	33000200210	SHIM,12.2X19X.10	1	
2-19	33000200220	SHIM,12.2X19X.15	1	
2-19	33000200230	SHIM,12.2X19X.20	1	
2-19	33000200240	SHIM,12.2X19X.30	1	
2-31	0720304590	CRANKCASE ASS'Y	1	Includes gasket, seals and bearings
2-32	99966122240	SEAL,OIL,#12227	2	
2-33	99961600115	BEARING,BALL,6001 C3	2	
2-34	0900304520	GASKET,CRANKCASE	1	
2-36	99461050164	BOLT,HEX,5X16,S	3	
2-51	1552174380	ROTOR,MAGNETO	1	
2-52	99201070011	WASHER,7	1	
2-54	06600000200	NUT,FLYWHEEL	1	

ITEM	PART NUMBER	DESCRIPTION	QTY	COMMENTS
3-80	4030702021	GASKET,INLET MANIFOLD	1	Includes gasket
3-81	4040702091	INSULATOR SET	1	
3-82	99416050241	SCREW 5x24WS	2	
3-85	4020656A200	GASKET	1	
3-86	5280652N22	PLATE,CHOKE,2.0	1	
3-88	4230652N80	BODY,AIR CLEANER	1	
3-89	4460652N20	CLEANER,ELEMENT	1	
3-90	4520304690	COVER,AIR CLEANER ASSY	1	
3-91	4500702480	BOLT,CLEANER COVER	1	
3-94	99011050552	SCREW,5X55	2	Includes gasket
3-95	99210050012	WASHER,S,5	2	
3-96	99200050011	WASHER,SMALL,5	2	
3-98	4550304590	CARBURETOR SET	1	
3-99	5230652N20	LEVER,CHOKE	1	
3-100	5910304520	TANK,FUEL	1	
3-109	65900801200	COLLAR	3	
3-110	53432710200	GROMMET,FUEL PIPE	1	
3-111	70003005062	PIPE,FUEL,3X5X62	1	
3-112	6750404280	FILTER,FUEL	1	
3-113	68000731201	CLIP 6.3	1	
3-114	2230162V900	PIPE,FUEL,ASS'Y	1	
3-115	99463050205	BOLT,HEX,5X20PS	1	
3-116	99463050204	BOLT, HEX 5X20	2	
3-117	5950300290	CAP,TANK (BLACK/RED)	1	
3-118	99075040154	SCREW,TAPPING,4X15	1	
3-119	99201040011	WASHER,4	1	
3-126	4100304690	AIR CLEANER ASS'Y	1	

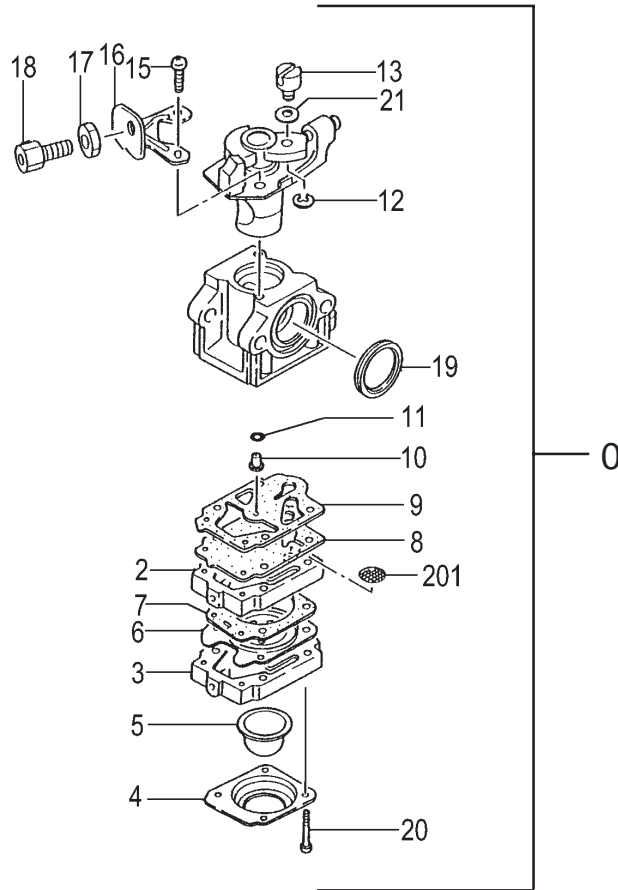


MUFFLER, CLUTCH & COVER • FIGURE 4

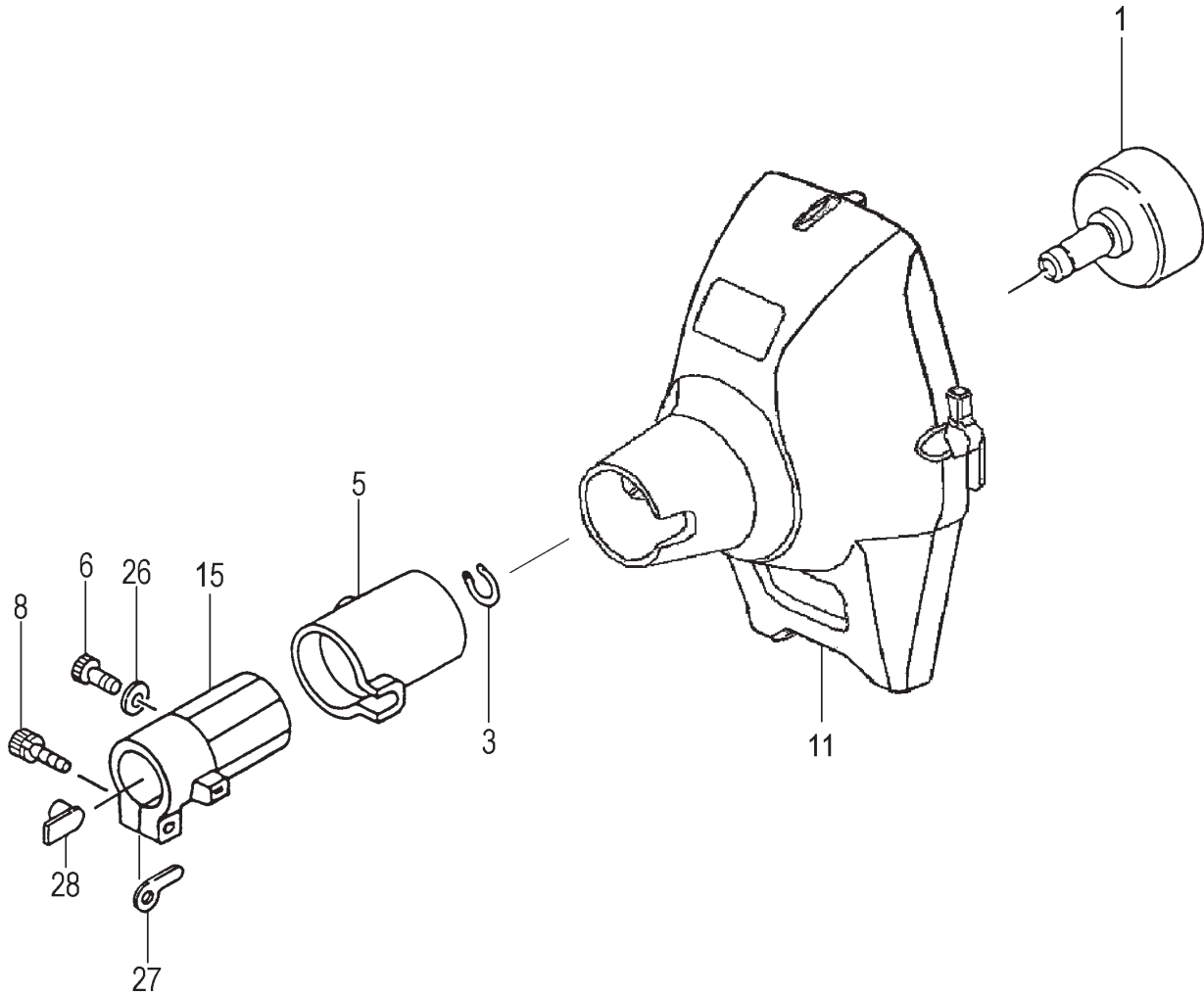
ITEM	PART NUMBER	DESCRIPTION	QTY	COMMENTS
4-1	7380304620	PROTECTOR,MUFFLER	1	
4-4	99415040182	SCREW,PS,4X18	2	
4-5	99053060553	SCREW,HEX.HOLE	2	
4-6	99201060011	WASHER,6	2	
4-7	7040304590	MUFFLER SET	1	Includes gasket
4-10	7210440020	PIPE,TAIL	1	
4-11	99436040081	SCREW,4X18WS	1	
4-13	7320440020	ARRESTER,SPARK	1	
4-15	7360304580	COVER,MUFFLER B	1	
4-16	7370168020	GASKET,MUFFLER	1	
4-17	7350304580	SHIELD,HEAT	1	
4-20	99415050101	SCREW,5X10/PS	2	
4-24	99415040182	SCREW,PS,4X18	4	
4-30	2570304520	PROTECTOR,SPARK PLUG	1	
4-31	35902103200	WASHER,CLUTCH,B	2	
4-32	29001620800	SHOE,CLUTCH	2	
4-33	3420630B200	SPRING,CLUTCH	1	
4-34	3480630A20	PLATE,CLUTCH A	2	
4-35	3570075T200	BOLT,STEP	2	
4-36	99415050202	SCREW,5X20/PS	3	
4-38	99205080030	WASHER,8	2	
4-39	99072045164	SCREW,TAPPING,4.5X16	1	



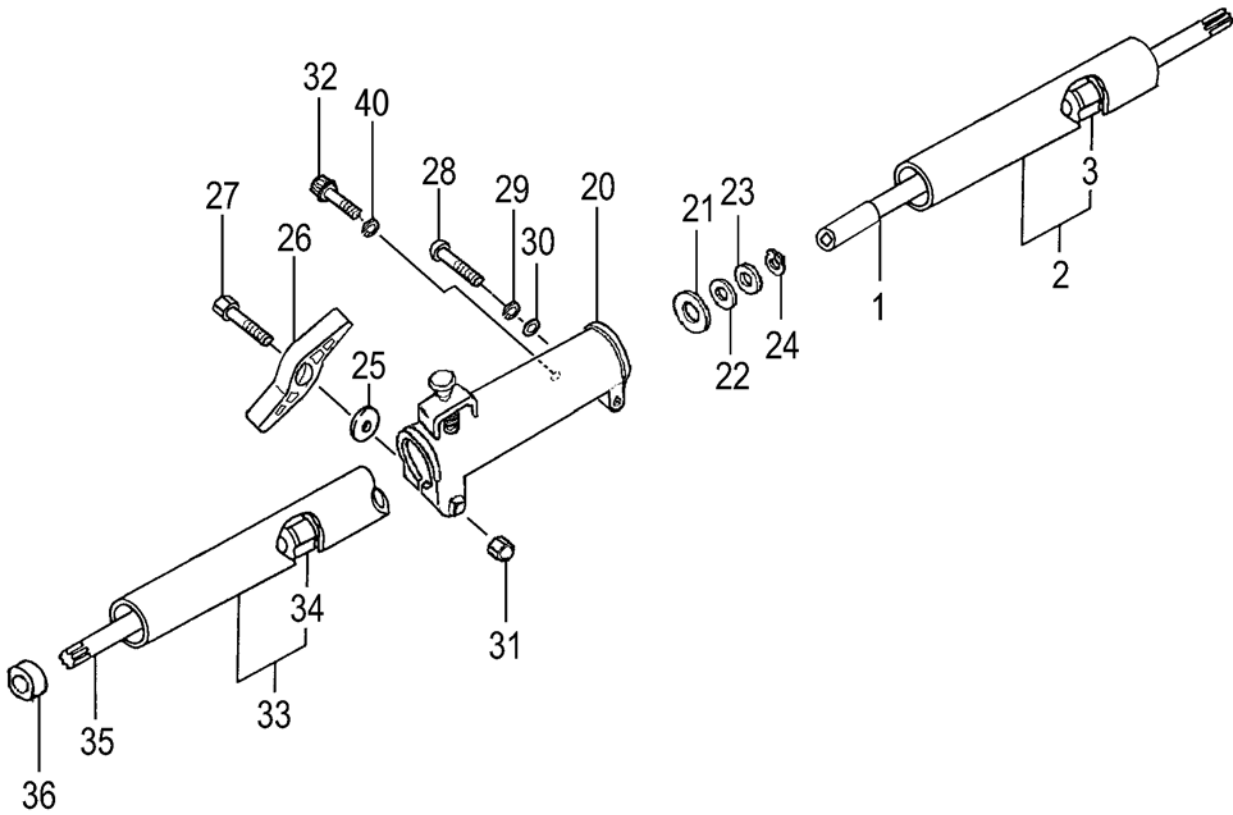
ITEM	PART NUMBER	DESCRIPTION	QTY	COMMENTS
5-0	7620304590	STARTER ASS'Y	1	
5-1	7720304580	BODY,STARTER	1	
5-2	7740304520	PULLEY,STARTER	1	
5-3	7790304520	SPRING,RECOIL	1	
5-4	7770304520	ARM,SWING	1	
5-5	8390304520	SCREW,SET	1	
5-6	7710304520	STAY,PULLEY	1	
5-7	7830304520	ROPE,STARTER	1	
5-8	7850304520	HANDLE,STARTER	1	
5-9	3153334020	NUT,SPECIAL 5MM	1	
5-22	7980304520	PULLEY,STARTER	1	
5-24	99464040185	BOLT,HEX,4x18WS	4	



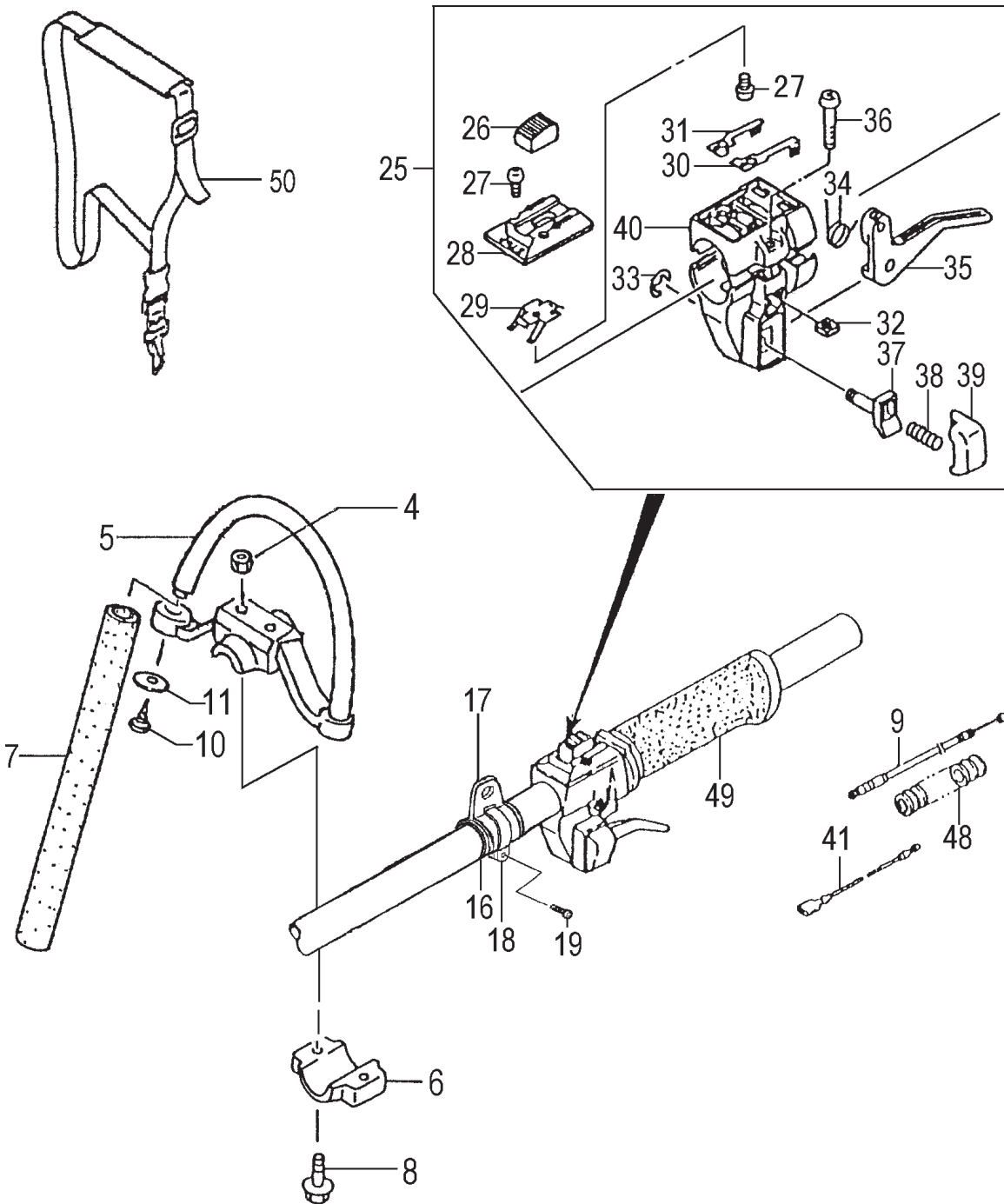
ITEM	PART NUMBER	DESCRIPTION	QTY	COMMENTS
6-0	4550304590	CARBURETOR SET	1	Includes gasket
6-2	5752515380	BODY,PUMP	1	
6-3	4422515180	PUMP,PRIMING	1	
6-4	4762515120	COVER,DIAPHRAGM	1	
6-5	44725108200	BULB,PRIMING	1	
6-6	~ ~ ~	METERING DIAPHRAGM	1	~ Contained in Carb Repair Kit
6-7	~ ~ ~	GASKET,DIAPHRAGM	1	P/N 650-25124-900
6-8	~ ~ ~	DIAPHRAGM,PUMP	1	(not available individually)
6-9	~ ~ ~	GASKET,PUMP	1	
6-10	5992001W38	JET,MAIN LONG #38	1	
6-11	55025100200	O-RING	1	
6-12	48925100200	RING,STOP	1	
6-13	53925120200	SWIVEL	1	
6-15	51425100200	SCREW,THROTTLE SET	2	
6-16	54425164200	STAY,ADJUST,CABLE	1	
6-17	99101060013	NUT,6	1	
6-18	61425137200	ADJUSTER,CABLE	1	
6-19	4310634C200	GASKET,CLEANER	1	
6-20	5482515120	SCREW,SET	4	
6-21	5492516520	WASHER,THRUST	1	
6-201	57825007200	SCREEN,INLET	1	



ITEM	PART NUMBER	DESCRIPTION	QTY	COMMENTS
7-1	2890707880	SHAFT,CLUTCH	1	
7-3	99350012002	RING,STOP,C-12 EX	1	
7-5	5990098021	CUSHION,RUBBER	1	
7-6	99051050163	BOLT,HEX,5X16	1	
7-8	99461050254	BOLT,HEX HOLE,5X25S	1	
7-11	1120304580	CASE,FAN	1	Includes bearing
7-15	3600099620	PIPE HOLDER,TPE	1	
7-26	99201050061	WASHER,5	1	
7-27	3243735020	WASHER,GEAR CASE	1	
7-28	3610099020	FITTING,METAL	1	

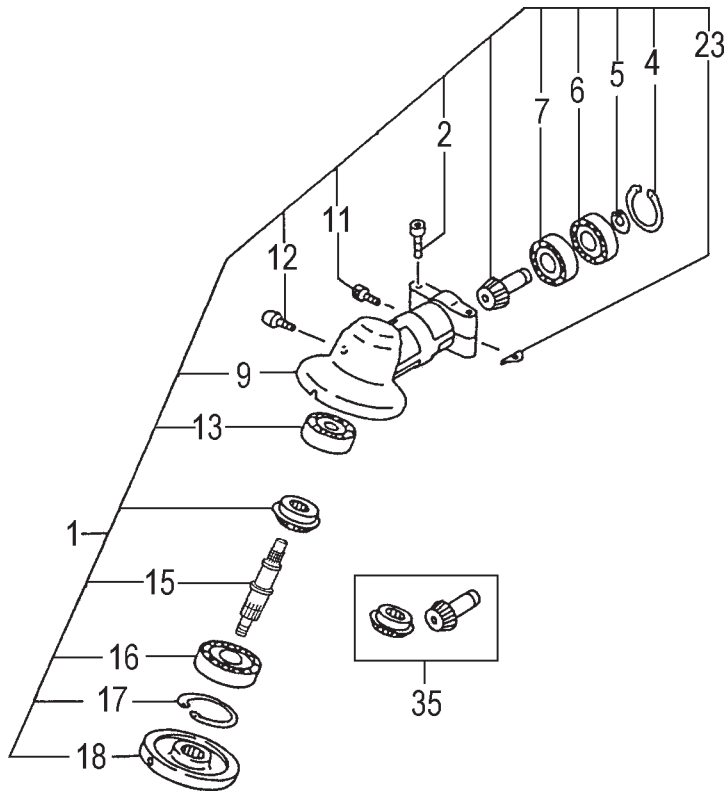


ITEM	PART NUMBER	DESCRIPTION	QTY	COMMENTS
8-1	0353846680	SHAFT,DRIVE A	1	
8-2	3413846680	DRIVE SHAFT PIPE	1	
8-3	3473836090	BUSHING	3	
8-20	2803846690	CASE,JOINT	1	
8-21	3203331820	SPACER	1	
8-22	36033315200	SPACER	1	
8-23	35810112201	WASHER,CLUTCH	1	
8-24	99350010002	RING,STOP,C-10 EX	1	
8-25	87032600200	WASHER,SPECIAL,A	1	
8-26	5123338P20	KNOB,HANDLE	1	
8-27	99021060504	BOLT,6X50	1	
8-28	99053060353	HEX, HOLE BOLT 6X35	1	
8-29	99210060062	WASHER,S,6	1	
8-30	99200060061	WASHER,BLACK,6	1	
8-31	99142060012	NUT,CAP 6	1	
8-32	99051050123	BOLT,HEX,5X12	1	
8-33	3413846680	DRIVE SHAFT PIPE	1	
8-34	3473836090	BUSHING	3	
8-35	0363819020	SHAFT,DRIVE B	1	
8-36	3473846620	BUSHING	1	
8-40	99210050062	WASHER,S,5	1	

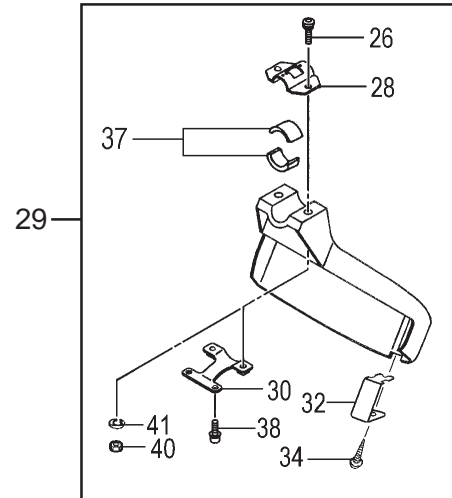


THROTTLE LEVER & FRONT HANDLE • FIGURE 9

ITEM	PART NUMBER	DESCRIPTION	QTY	COMMENTS
9-4	99101060041	NUT,6	2	
9-5	5003728620	HANDLE	1	
9-6	50637300200	BRACKET,HANDLE,A	1	
9-7	5033738E20	GRIP,HANDLE	1	
9-8	99423060432	BOLT,6X43	2	
9-9	8853739480	WIRE,THROTTLE	1	
9-10	99311052012	SCREW,TAPPING 5X20	1	
9-11	36832350200	WASHER,BRAKE SHAFT	1	
9-16	3343836020	COLLAR,HANGER	1	
9-17	3353836090	HANGER,24mm	1	
9-18	3373836080	HANGER BRACKET	1	
9-19	99416050252	SCREW,5X25WS	1	
9-25	8703728690	LEVER,THROTTLE ASS'Y	1	
9-26	1623710120	SWITCH,STOP	1	
9-27	99342030081	SCREW,TAPPING,3X8	3	
9-28	25937101200	BASE,STOP SWITCH	1	
9-29	26237101200	SPRING,STOP SWITCH	1	
9-30	17737101200	TERMINAL,EARTH B	1	
9-31	17637101200	TERMINAL,EARTH A	1	
9-32	3153334020	NUT,SPECIAL	2	
9-33	99355060001	RING,STOP,6	1	
9-34	83237101200	SPRING,RETURN	1	
9-35	88037101200	LEVER,THROTTLE	1	
9-36	99431050201	SCREW,5X20	2	
9-37	85337101200	SHAFT,LOCK BUTTON	1	
9-38	95837101200	SPRING,LOCK,BUTTON	1	
9-39	95637101200	BUTTON,LOCK	1	
9-40	2603331720	BODY,STOP BUTTON,B	1	
9-41	1783739480	CORD,STOP 430mm	2	
9-48	1640701901	TUBE,PROTECTION 7x190	1	
9-49	50437300200	GRIP,SHAFT	1	
9-50	746191	STRAP,SHOULDER	1	

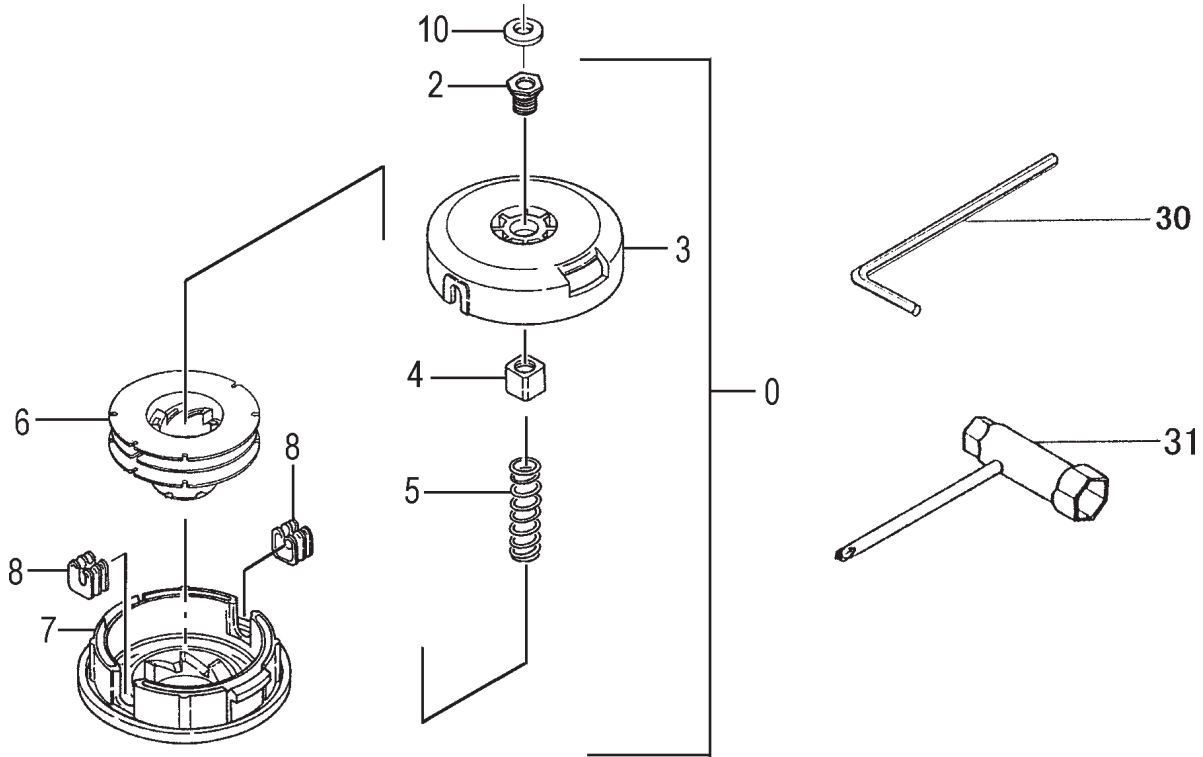


441-37587-00 Guard Kit

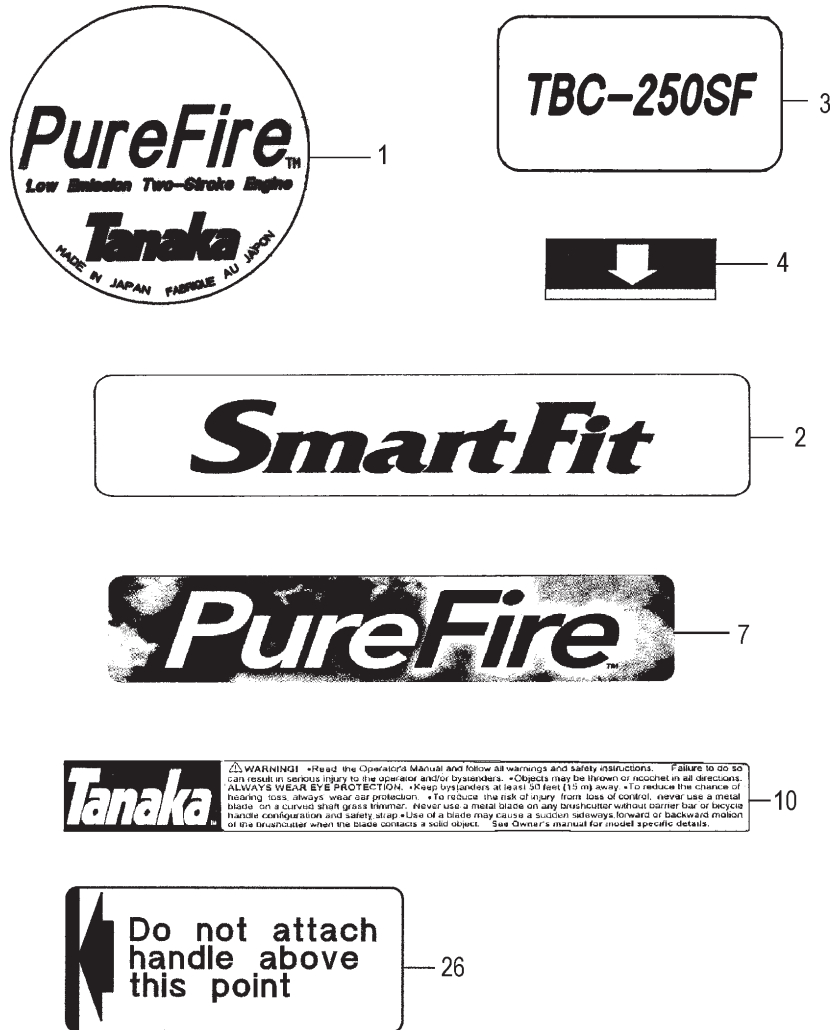


This guard kit is designed to fit all trimmers with 24 or 26 mm pipes. This guard is **NOT** approved for use with any metal blade.

ITEM	PART NUMBER	DESCRIPTION	QTY	COMMENTS
10-1	3003815991	GEAR CASE ASSY,24	1	
10-2	99461050254	BOLT,HEX HOLE,5X25S	2	
10-4	99351022002	RING,STOP,C22,IN	1	
10-5	99357010002	RING,STOP,OUTER 10	1	
10-6	99961690002	BEARING,BALL,#6900Z	1	
10-7	99961690000	BEARING,BALL,#6900	1	
10-9	3003815021	CASE,GEAR	1	
10-11	99461050124	BOLT,HEX,5X12S	1	
10-12	3163815020	BOLT,FITTING,M8	1	
10-13	99961609000	BEARING,BALL,#609	1	
10-15	3043815020	SHAFT,GEAR	1	
10-16	99961620103	BEARING,BALL #6201D	1	
10-17	99351032002	RING,STOP,C-32 IN	1	
10-18	3103815020	HOLDER,CUTTER	1	
10-23	3243815020	WASHER,GEAR CASE	1	
10-26	99481060254	SCREW,HEX HOLE 6X25	2	
10-28	4423741720	BRACKET,SAFETY GUARD	1	
10-29	4413758700	GUARD KIT	1	
10-30	4453815020	HOLDER,GUARD	1	
10-32	7973815020	LIMITER,LINE	1	
10-34	99317052002	SCREW,TAPPING,5x20	1	
10-35	3013815000	SET,GEAR PINION	1	
10-37	44437609900	SPACER,BRACKET	2	
10-38	99461050124	BOLT,HEX,5X12S	2	
10-40	99101060011	NUT,6	2	
10-41	99201060011	WASHER,6	2	



ITEM	PART NUMBER	DESCRIPTION	QTY	COMMENTS
11-0	746451	HEAD, SEMI-AUTO, 5"	1	
11-2	3563383B20	ADAPTER, 10x1.25 LHF	1	
11-3	7863383020	BODY, CUTTING	1	
11-4	3153383020	NUT, SPECIAL	1	
11-5	7933383020	SPRING, REEL	1	
11-6	7873383020	REEL	1	
11-7	7893383020	CAP, BODY	1	
11-8	7883383020	EYELET	2	
11-10	99201120011	WASHER, 12	1	
11-30	81320000200	WRENCH, HEX, 4	1	
11-31	8262000080	SPANNER, COMBI, 17X19	1	

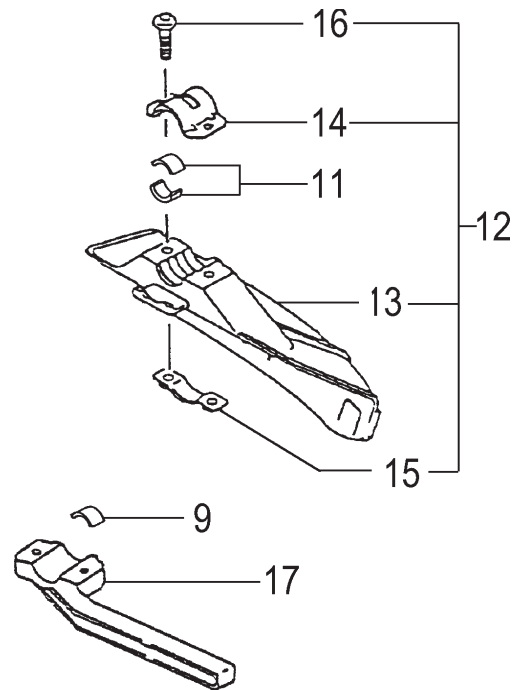
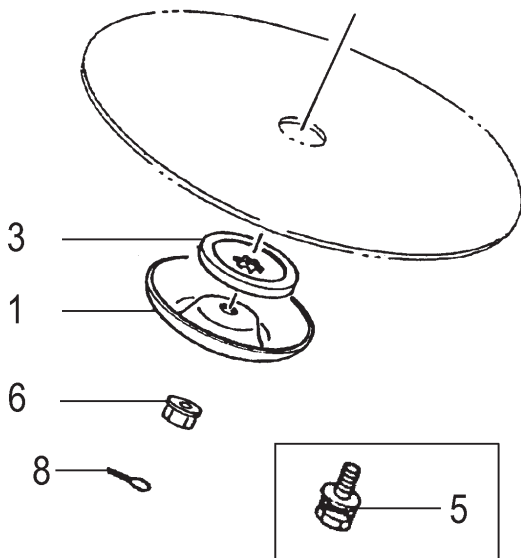


ITEM	PART NUMBER	DESCRIPTION	QTY	COMMENTS
12-1	9060304520	DECAL	1	
12-2	9293846620	DECAL, SMART FIT	1	
12-3	9064822620	DECAL, TBC-250SF	1	
12-4	92337400200	DECAL, LEVEL	1	
12-7	9293810020	DECAL, SYMBOL, PF	1	
12-10	9193782020	DECAL, CAUTION A	1	
12-26	9233738F20	DECAL, LEVEL	1	



Single Shoulder Strap
Model#: 746191

WARNING! Read the owners manual and follow all warnings and safety instructions. Failure to do so can result in serious injury to the operator and/or bystanders. Never attempt to mount a steel blade to a machine that is not specifically designed for that purpose. Never attempt to mount a steel blade without using all components of the blade attachment kit, including shoulder strap and barrier safety bar.



ITEM	PART NUMBER	DESCRIPTION	QTY	COMMENTS
1	30833410200	COVER,PROTECTION,B,8mm	1	8mm
1	3083786120	COVER,BOLT PROTECTOR,10mm	1	10mm
3	3113754720	CAP,CUTTER HOLDER,8mm	1	for use with 8x1.25 nut
3	3113815020	CAP,CUTTER HOLDER,10mm	1	for use with 10x1.25 nut
5	3123338620	BOLT,FLANGED,10x1.25,LH	1	10x1.25 bolt
6	3133754720	NUT,FIXING L.H. 8X1.25	1	8x1.25 nut
6	3133833220	NUT,FIXING L.H.,10X1.25	1	10x1.25 nut
8	3273718090	PIN,COTTER 2X20 (10 PACK)	1	
9	44437609200	SPACER,BRACKET	1	for use with barrier bar, 24mm shafts
11	44437609200	SPACER,BRACKET	2	
12	30060	KIT,BLADE GUARD	1	
13	4413738020	GUARD,SAFETY	1	
14	4423369921	BRACKET,SAFETY GUARD	1	
15	4453738020	HOLDER,GUIDE	1	
16	99481060254	SCREW,HEX HOLE 6X25	2	
17	5203339820	BAR,BARRIER 26mm	1	
18	746191	STRAP,SHOULDER,PSS-175	1	Includes mounting bracket/hardware