

# **Tanaka** Illustrated Parts Manual

Model Number:

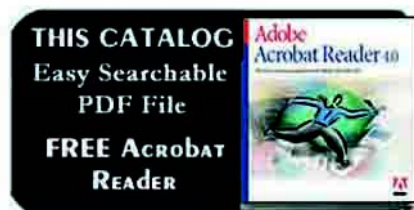
**TBC-2501**

**GRASS TRIMMER**

P/N 30102

Rev 000

Date 8-31-06



*Supplier to The Outdoor Power Equipment Industry*

Tanaka America • 1028 4<sup>th</sup> Street SW Ste "B" • Auburn, WA 98001 • Phone: (253) 333-1200 • Fax: (253) 333-1212

## TBC-2501

  
**Grass Trimmer / Brushcutter**


New Low Profile Guard

### Features / Benefits

- **24cc, 1.2 hp engine** features two piston rings and a stress relieved, chrome plated cylinder for longer engine life.
- **Bearing supported, solid steel drive shaft** provides smooth and efficient power transfer from the engine to the cutting head.
- **Semi-automatic cutting head** releases more line with a simple tap on the ground to maintain peak cutting performance.
- **Heavy-duty anti-vibration system** includes a padded front handle and heavy-duty rubber mount between the engine and shaft.
- **1 / 2 / 5 Warranty Coverage** provides **One-Year** coverage for professionals, **Two-Year** Coverage for Homeowners, and **Five Years** on the Electronic Ignition Module.

Specifications	
Engine Displacement cc (cu. in.)	24 (1.4)
Power (h.p.)	1.2
Cylinder	Chrome Plated, Stress Relieved
Carburetion	Walbro Diaphragm with Primer
Ignition System	Transistorized Electronic
Fuel Tank Capacity / fl. oz. (cc)	19.3 (570)
Anti-Vibration	Heavy-Duty Engine Mount
Clutch System	Heavy-Duty Centrifugal
Shaft Support	5 Shaft Bearings
Drive System	7mm Solid Steel Shaft
Standard Cutting Head	5" Semi-Automatic Feed (.095" Line)
Dry Weight / lbs. (kg) w/head	11.4 (5.2)

Optional Accessories:	
ORDER #	DESCRIPTION
746251	BRAIN® Auto feed head (TH-95)
746751	BRAIN® Auto feed head (TH-97)
746280	Aluminum fixed line head
746290	Aluminum manual feed head
746551	4" manual feed head
746191	Single shoulder strap
746291	Deluxe shoulder harness
Varies	Assorted brush & weed blades
748501	Blade conversion kit*
TMC-200	Cultivator attachment
TPS-200	Pole Saw attachment
TPH-200	Pole Hedge Trimmer attachment
Varies	Perfect Mix 2-Cycle Engine Oil

\* May require blade guard kit

All data and specifications are subject to change without notice  
 For more information, contact:

## Grass Trimmer Attachments

### TPS-200

Pruning Saw Attachment

The versatile TPS-200 Pruning Saw attachment easily converts Tanaka straight shaft grass trimmers / brushcutters into a powerful pruning saw.



#### TPS-200 Features:

- 24" Shaft Provides a 98" Overall Length when mounted
- 10" Oregon® Bar & Chain
- Easy-Mount Coupler

*To be used with the following Tanaka models:*

- AST-7000 / 7000S / 210
- TBC-4500 / 4501 / 2211
- TBC-220 / 240
- TBC-250 / 2501 / 2510 / 265
- TBC-270PF/PN



TPS-EXT Pruning Saw **Extension** (Part # 748511) Add an **extra two feet of reach** with this pruning saw extension that will fit on both the TPS-2510 and TPS-270PN Pruning Saws. In addition, it can be added to Tanaka straight shaft grass trimmers that utilize the TPS-200 Pole Saw Attachment.

### TPH-200

Pole Hedge Trimmer Attachment

For added reach and maneuverability, the TPH-200 Pole Hedge Trimmer attachment can be added to several Tanaka straight shaft grass trimmers / brushcutters.



#### TPH-200 Features:

- 22" Double Sided Cutting Blades
- Articulating / Pivoting Cutting Angle up to 130 degrees.

*To be used with the following Tanaka models:*

- AST-7000 / 7000S / 210
- TBC-4500 / 4501 / 2211
- TBC-220 / 240
- TBC-250 / 2501 / 2510 / 265
- TBC-270PF/PN

### TMC-200

Mini-Cultivator

This simple, easy to install attachment is ideal for quick garden / flower bed weeding and cultivation. For maximum depth, the TMC-200 can dig up to 4 inches into the ground and 6" wide.

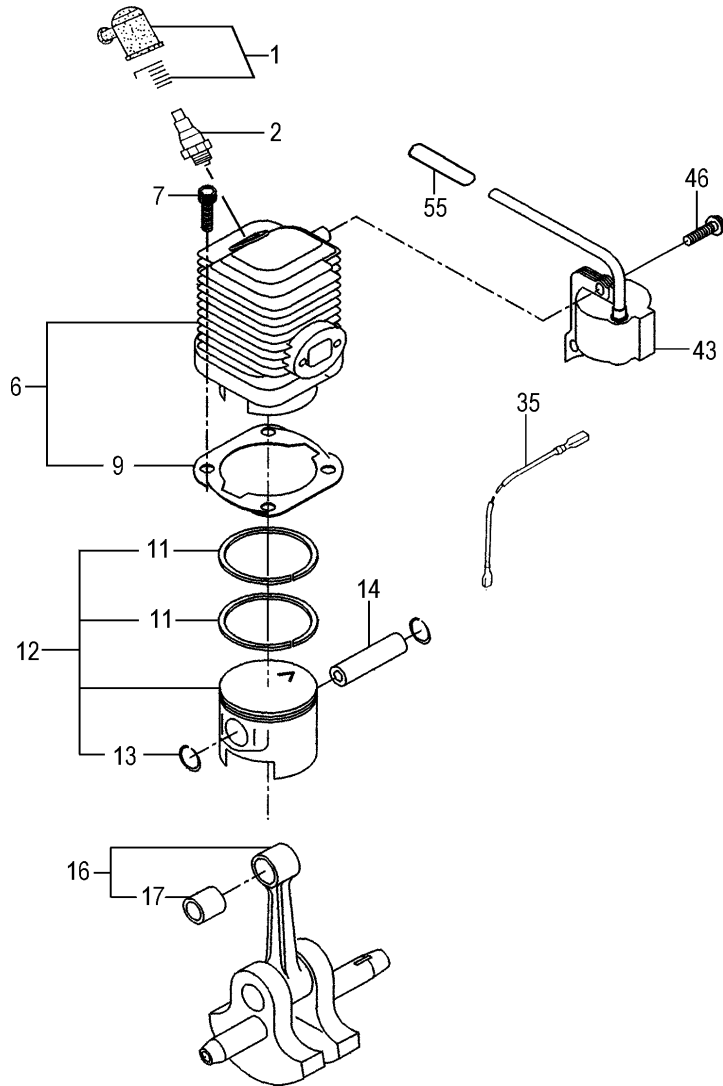
With a 49:1 reduction ratio, this heavy duty gear box gives you more tilling power.



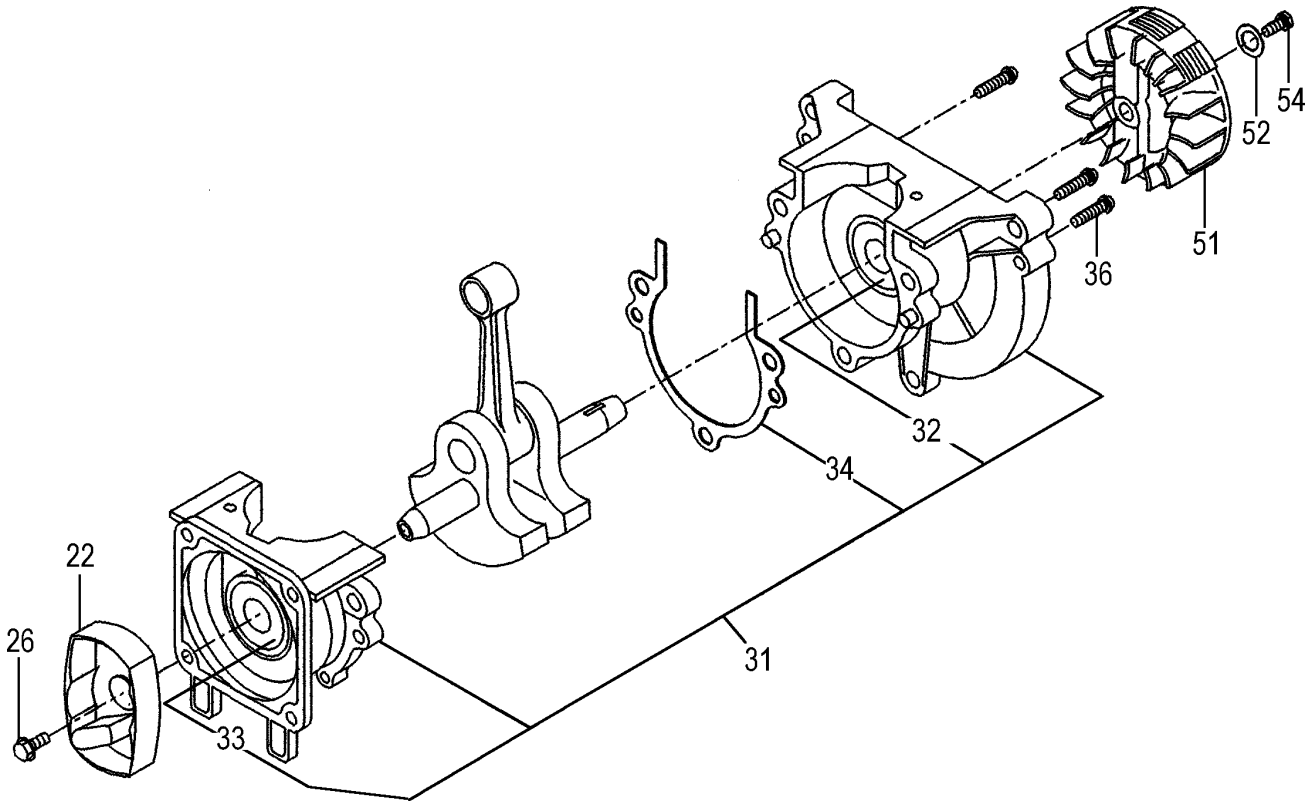
*To be used with the following Tanaka models:*

- AST-7000 / 7000S / 210
- TBC-4500 / 4501 / 2211
- TBC-220 / 240
- TBC-250 / 2501 / 2510 / 265
- TBC-270PF/PN
- TBC-300 / 3010
- TBC-420PF

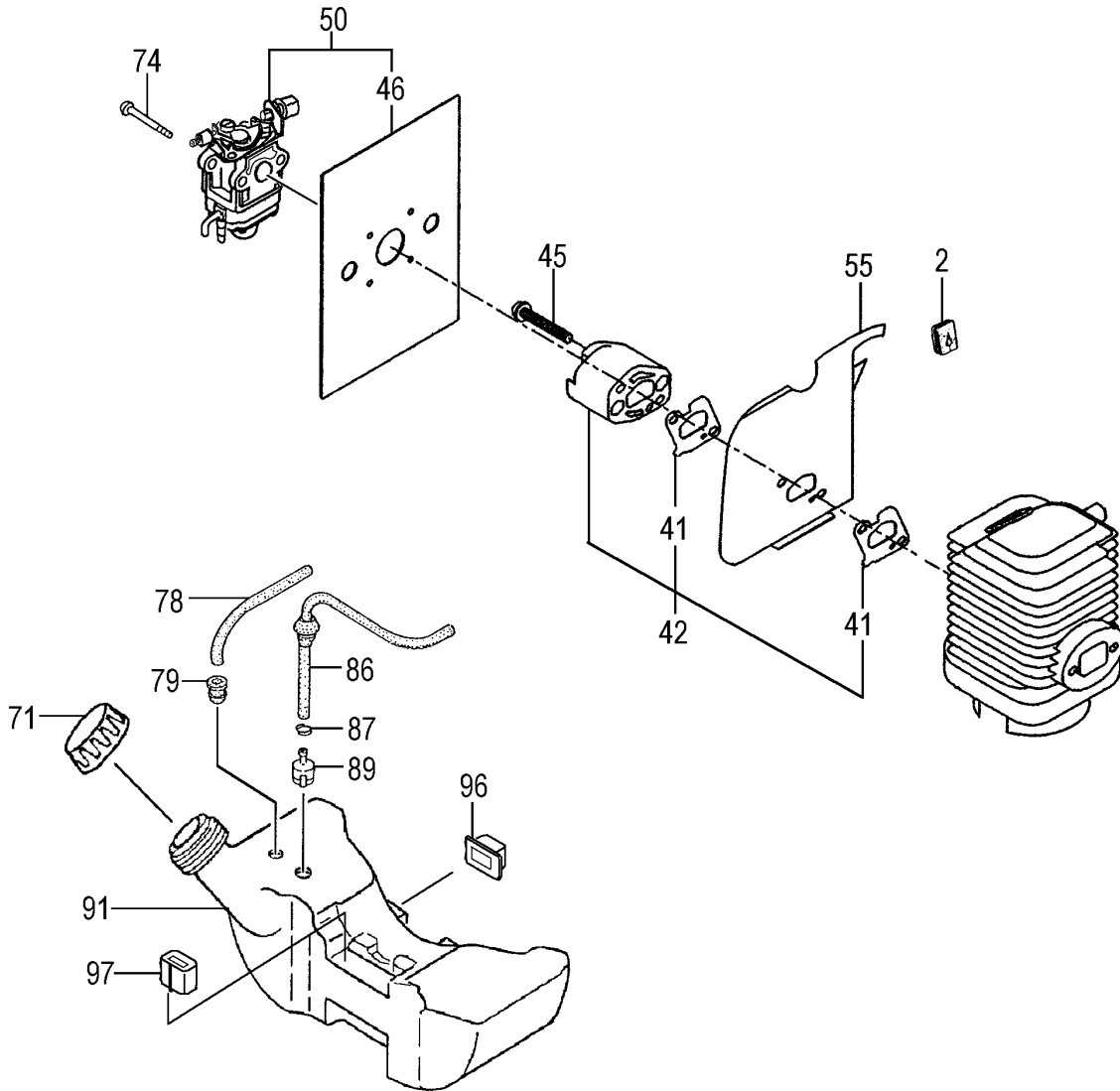
All data and specifications are subject to change without notice  
For more information, contact:



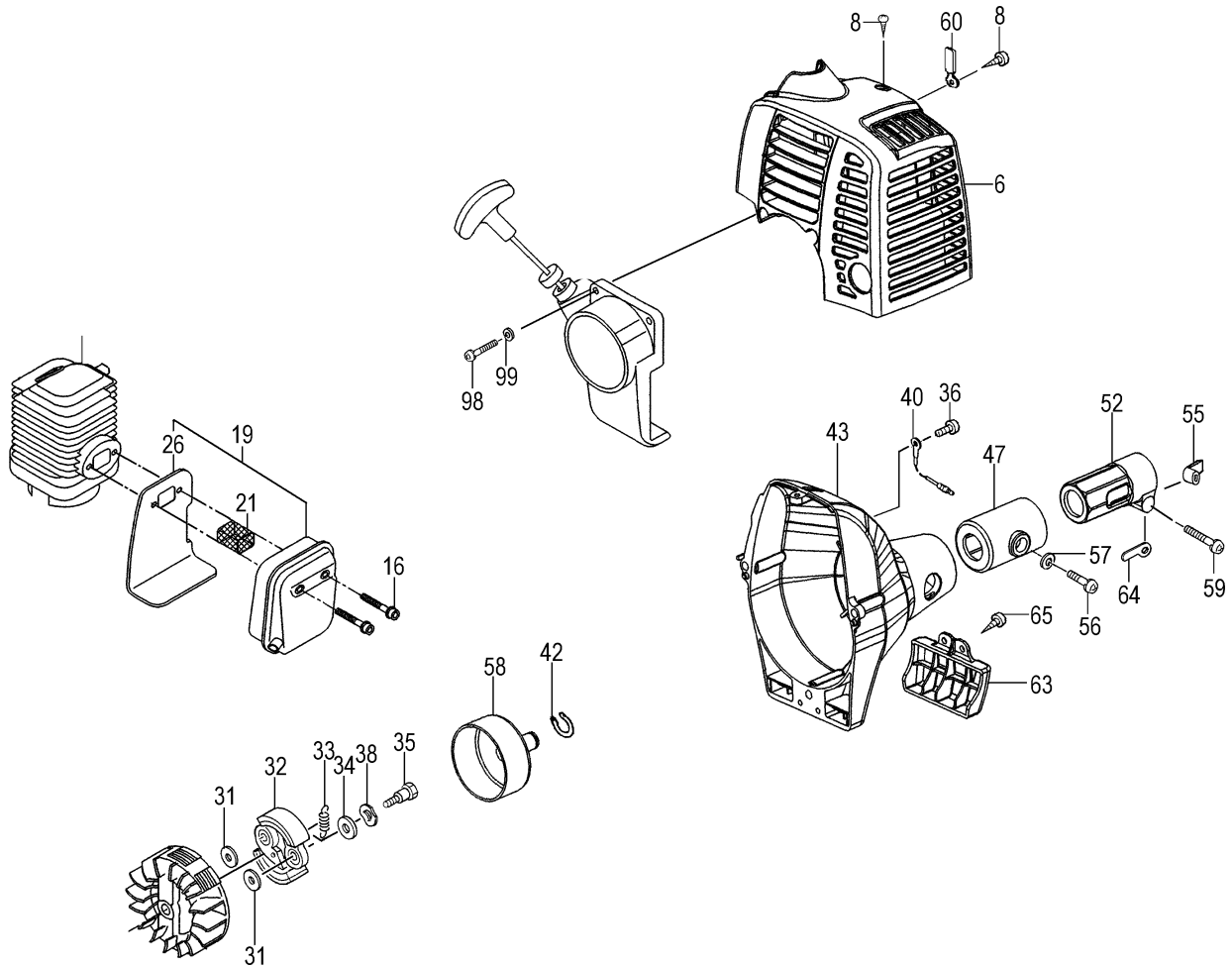
ITEM	PART NUMBER	DESCRIPTION	QTY	COMMENTS
1-1	15701570900	CAP,SPARK PLUG,ASS'Y	1	
1-2	01802233200	PLUG,SPARK	1	
1-6	0010706090	SET,CYLINDER	1	Includes cylinder gasket
1-7	99464050204	SCREW,5X20,WS	2	
1-9	0170706020	GASKET,CYLINDER	1	
1-11	0410706020	RING,PISTON	2	
1-12	0300706590	SET,PISTON	1	W200471~ Includes rings, and circlips
1-12	0300706090	SET,PISTON	1	~W200470 Includes rings, and circlips
1-13	0390706020	CIRCLIP,PISTON PIN	2	
1-14	0370706020	PIN,PISTON	1	~W200470
1-14	0370706520	PIN,PISTON	1	W200471~
1-16	0460706090	CRANKSHAFT	1	
1-17	0890706080	BEARING,NEEDLE	1	
1-35	1780603180	CORD,B260M	1	
1-43	1670706080	COIL,IGNITION	1	
1-46	99416040201	SCREW,4x20 WS	2	
1-55	2500706020	TUBE,INSULATOR	1	



ITEM	PART NUMBER	DESCRIPTION	QTY	COMMENTS
2-22	7980706090	PULLEY, STARTER	1	
2-26	3800706080	BOLT, M6	1	
2-31	0720706090	CRANKCASE, ASS'Y	1	Crankcase ass'y includes bearings,
2-32	99961600100	BEARING, BALL, #6001	2	oil seals and gasket
2-33	99966122272	SEAL, OIL 122245	2	
2-34	0900706020	GASKET, CRANKCASE	1	
2-36	99414050251	SCREW, 5X25	3	
2-51	1550706080	ROTOR, MAGNETO	1	
2-52	1820706020	WASHER, SPECIAL, M6	1	
2-54	99421060161	BOLT, 6X16S	1	



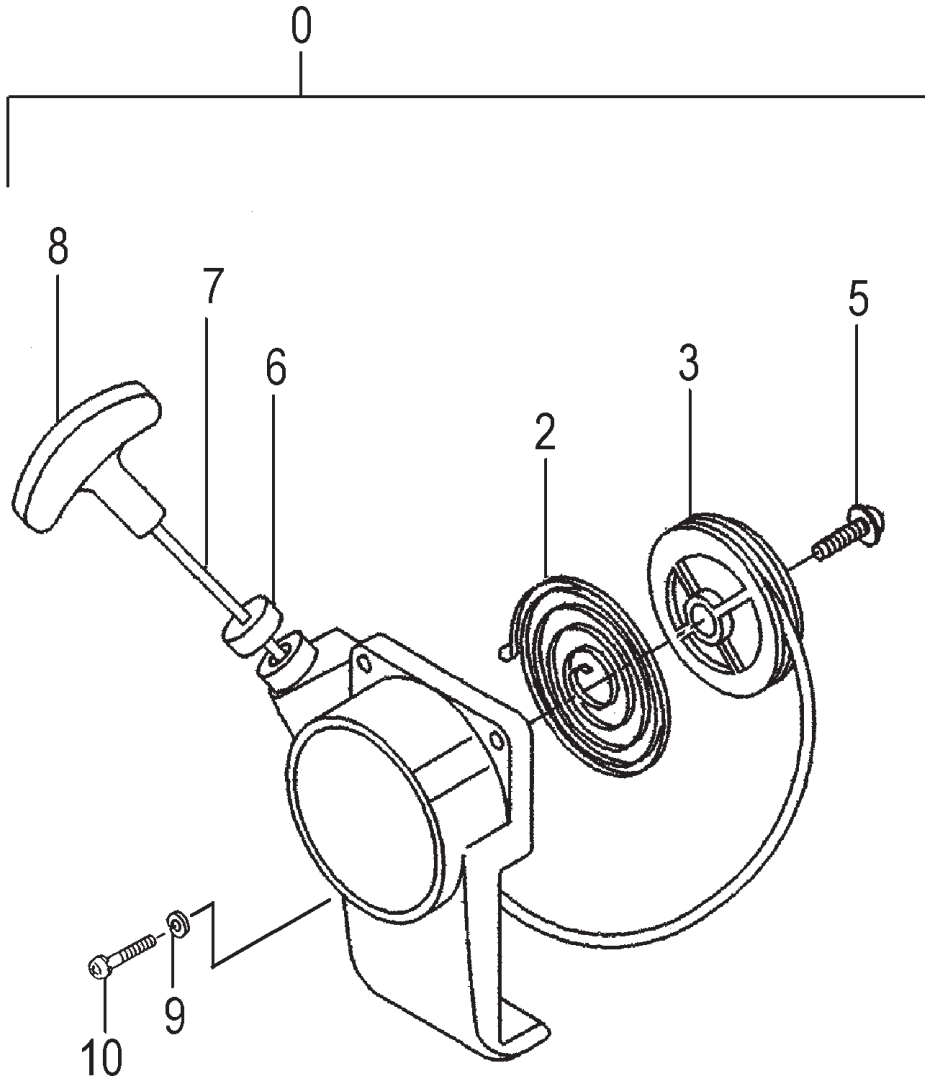
ITEM	PART NUMBER	DESCRIPTION	QTY	COMMENTS
3-2	2030706020	GROMMET	1	
3-41	4030706020	GASKET,INTAKE MANIFOLD	2	
3-42	4040706090	SET,INSULATOR	1	
3-45	99416050251	SCREW,5X25/S	2	
3-46	4020706020	GASKET,CARBURETOR	1	
3-50	4550706090	SET,CARBURETOR	1	
3-55	1320706020	SHIELD	1	
3-71	5950300290	CAP,TANK (BLACK/RED)	1	
3-74	99415050653	SCREW,5X65PS	2	
3-78	7000300507	PIPE,FUEL,3X5X75	1	
3-79	53432710200	GROMMET,FUEL PIPE	1	
3-86	2230162V900	PIPE,FUEL,ASS'Y	1	
3-87	68000731201	CLIP 6.3	1	
3-89	6750404280	FILTER,FUEL	1	
3-91	5910706080	TANK,FUEL	1	
3-96	65500940201	CUSHION,FUEL TANK	2	
3-97	6010706020	CUSHION,TANK	2	



### CLUTCH, MUFFLER, ANTI-VIBE, FAN CASE • FIGURE 4

ITEM	PART NUMBER	DESCRIPTION	QTY	COMMENTS
4-6	7380706020	COVER,MUFFLER	1	
4-8	99073045104	SCREW,TAPPING,4.5X10	3	
4-16	99460050454	SCREW,5X45W	2	
4-19	7040706090	SET,MUFFLER	1	
4-21	7320706020	ARRESTOR,SPARK	1	
4-26	1330706020	SHIELD,HEAT	1	
4-31	35902103200	WASHER,CLUTCH,B	2	
4-32	29001620800	SHOE,CLUTCH	2	
4-33	3420630B200	SPRING,CLUTCH	1	
4-34	3480602R200	WASHER,CLUTCH A	2	
4-35	3570075T200	BOLT,STEP	2	
4-36	99416050162	SCREW,5X16/WS	3	
4-38	99205080030	WASHER,8	2	
4-40	17900025800	CORD,STOP	1	
4-42	99350012002	RING,STOP,C-12 EX	1	
4-43	1120706080	CASE,FAN	1	
4-47	5990098021	CUSHION,RUBBER	1	
4-52	3600099020	HOLDER,PIPE	1	
4-55	3610099020	FITTING,METAL	1	
4-56	99051050163	BOLT,HEX,5X16	1	
4-57	99201050061	WASHER,5	1	
4-58	2890707880	DRUM,CLUTCH	1	Replace shaft and clutch drum as set
4-59	99461050254	BOLT,HEX HOLE,5X25S	1	
4-60	19805015800	CLAMP,CORD	1	
4-63	9410706020	STAND	1	
4-64	3243735020	WASHER,GEAR CASE	1	
4-65	99073045124	SCREW,TAPPING,4.5X12	2	
4-98	99451050204	SCREW,5X20S	2	
4-99	99200050061	WASHER,SMALL,5	2	

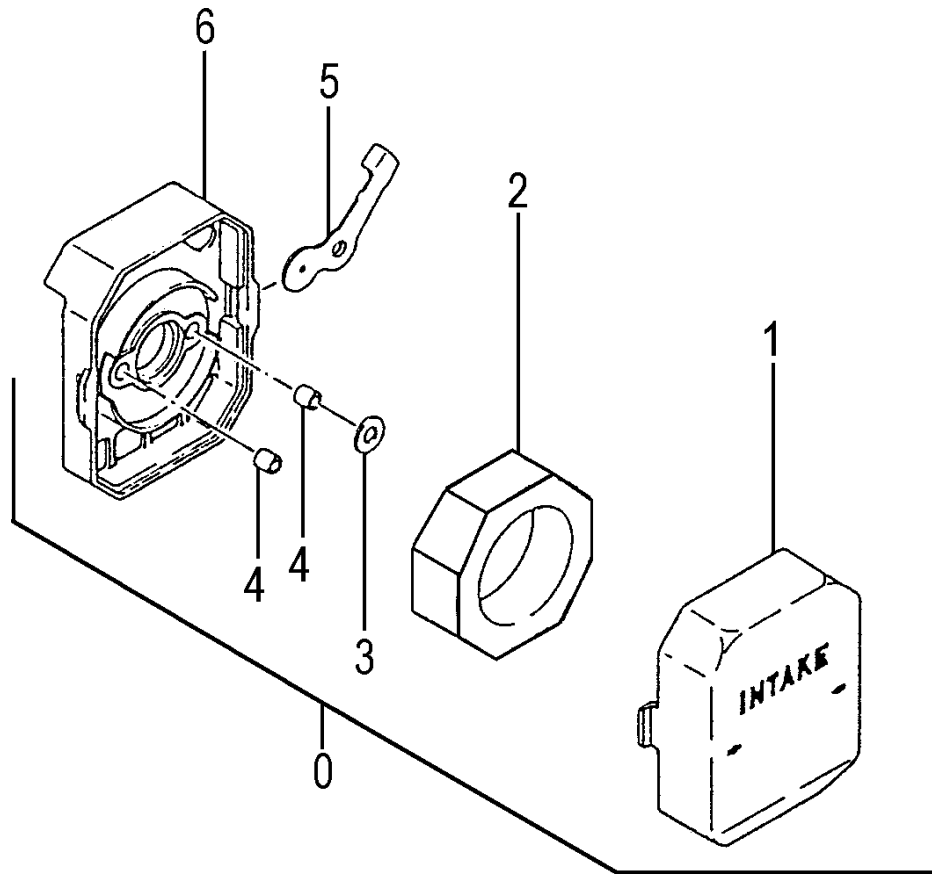




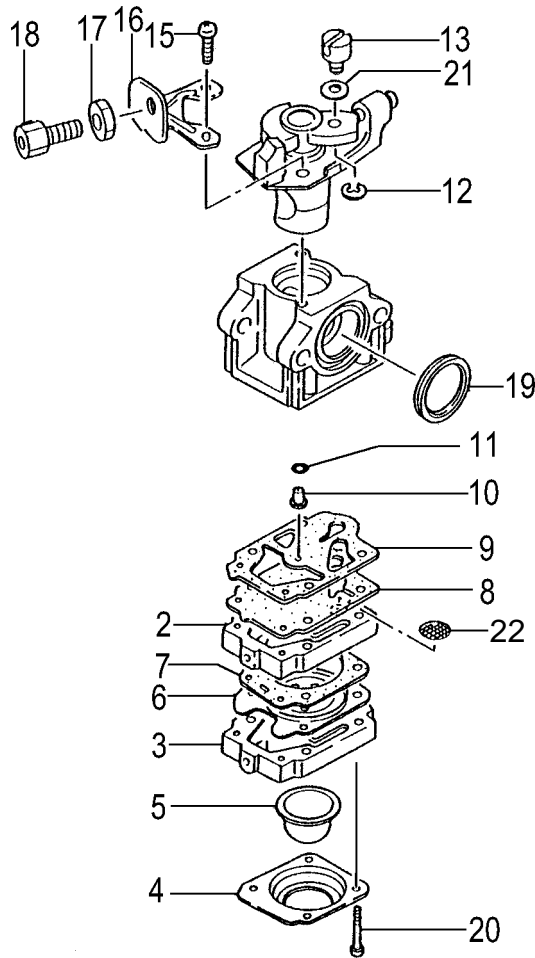
### 748733



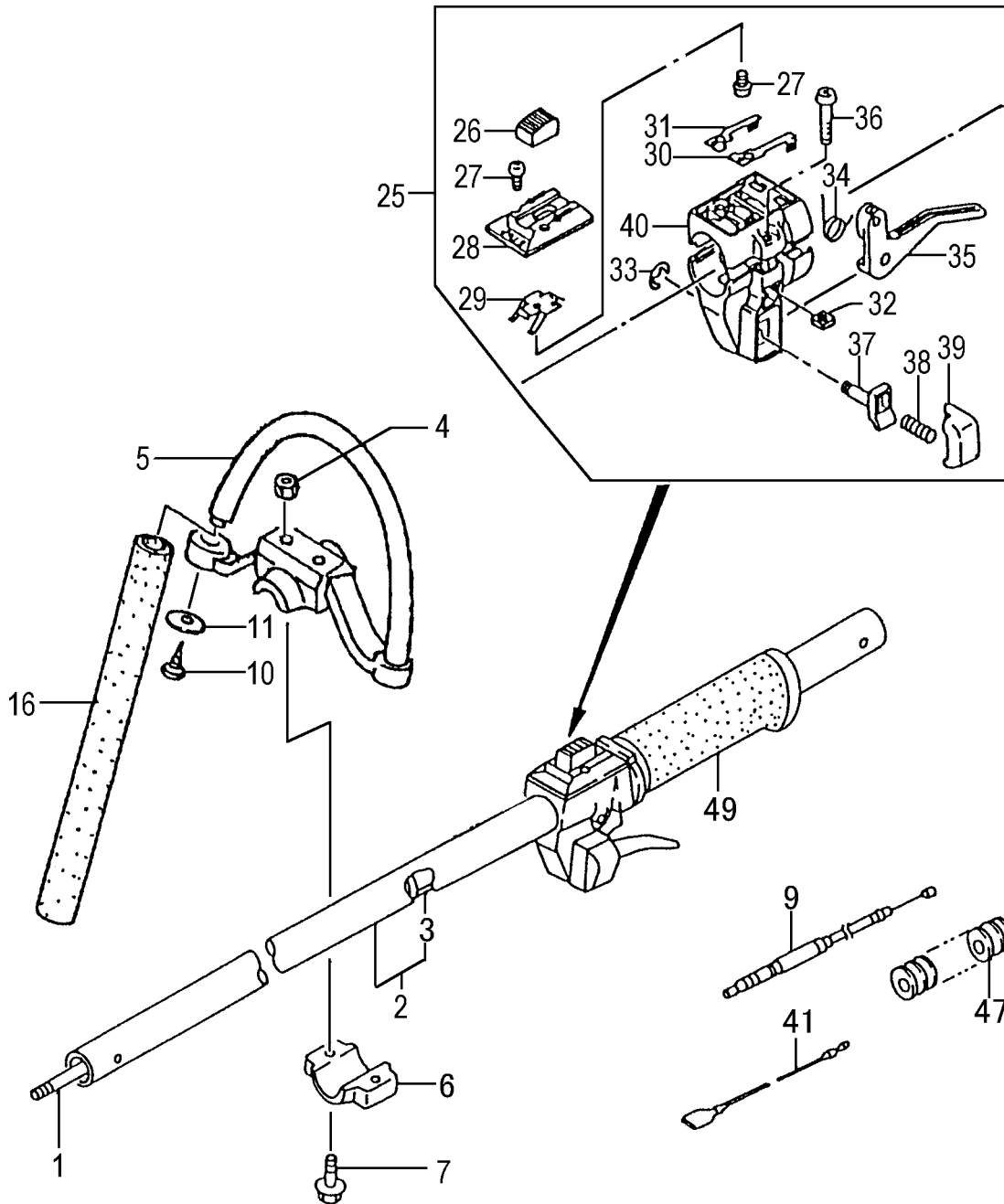
ITEM	PART NUMBER	DESCRIPTION	QTY	COMMENTS
5-0	7620706090	STARTER,RECOIL	1	
5-2	7790706020	SPRING,RECOIL	1	
5-3	7740706020	PULLEY,STARTER	1	
5-5	8390706020	BOLT,SET	1	
5-6	7800706020	GUIDE,ROPE	1	
5-7	7830706020	ROPE,STARTER	1	
5-8	7850706020	HANDLE,STARTER	1	
5-9	99200050061	WASHER,SMALL,5	2	
5-10	99451050204	SCREW,5X20S	2	



ITEM	PART NUMBER	DESCRIPTION	QTY	COMMENTS
6-0	4100650D90	AIR CLEANER ASSY	1	
6-1	4240602K201	CAP,CLEANER	1	
6-2	4460602K200	ELEMENT,CLEANER	1	
6-3	4530602K200	COLLAR	1	
6-4	47000025200	COLLAR	2	
6-5	5280635A200	PLATE	1	
6-6	4230072Z81	BODY,CLEANER	1	

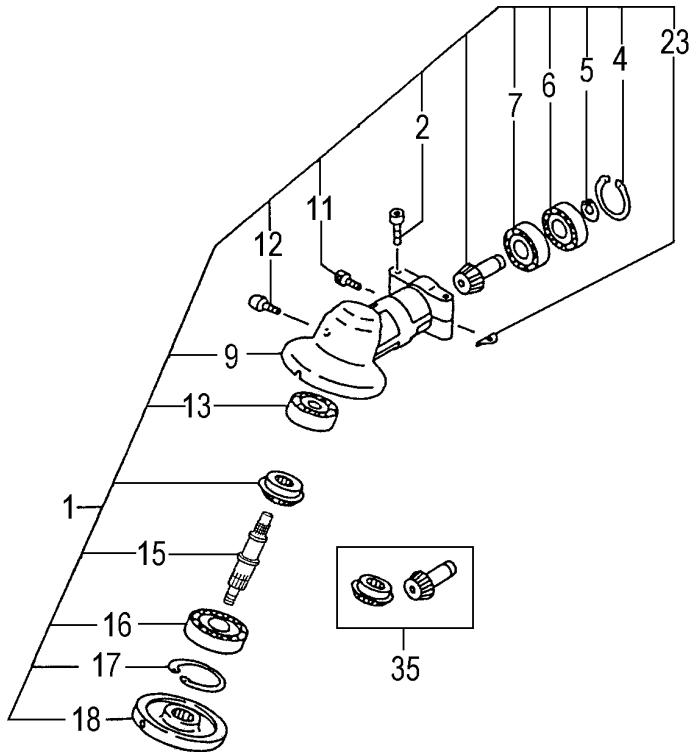


ITEM	PART NUMBER	DESCRIPTION	QTY	COMMENTS
	4550706090	SET,CARBURETOR	1	Includes carburetor gasket
7-2	5752515380	BODY,PUMP	1	
7-3	4422515180	PUMP,PRIMING	1	
7-4	4762515120	COVER,DIAPHRAGM	1	
7-5	44725108200	BULB,PRIMING	1	
7-6	----	DIAPHRAGM	1	~ Contained in Carb Repair Kit
7-7	----	GASKET,DIAPHRAGM	1	P/N 650-25124-900
7-8	----	DIAPHRAGM,PUMP	1	(Not available individually)
7-9	----	GASKET,PUMP	1	
7-10	5992000W430	JET,MAIN,#43	1	
7-11	55025100200	O-RING	1	
7-12	48925100200	RING,STOP	1	
7-13	53925120200	SWIVEL	1	
7-15	51425100200	SCREW,THROTTLE SET	2	
7-16	54425164200	STAY,ADJUST,CABLE	1	
7-17	99101060013	NUT,6	1	
7-18	61425137200	ADJUSTER,CABLE	1	
7-19	4310634C200	GASKET,CLEANER	1	
7-20	5482515120	SCREW,SET	1	
7-21	5492516520	WASHER,THRUST	1	
7-22	57825007200	SCREEN,INLET	1	

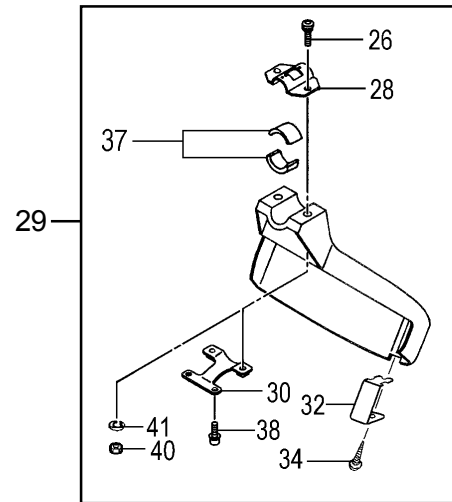


### HANDLE, THROTTLE LEVER, SHAFT • FIGURE 8

ITEM	PART NUMBER	DESCRIPTION	QTY	COMMENTS
8-1	3433817020	SHAFT,DRIVE 1483mm	1	Replace shaft and clutch drum as set
8-2	3413762381	PIPE,DRIVE SHAFT	1	
8-3	34737601900	BUSHING,ASS'Y	5	
8-4	99101060041	NUT,6	2	
8-5	5003728620	HANDLE	1	
8-6	50637300200	BRACKET,HANDLE,A	1	
8-7	99023060351	BOLT,6X35 PLUS	2	
8-9	8853739480	WIRE,THROTTLE	1	
8-10	99311052012	SCREW,TAPPING 5X20	1	
8-11	36832350200	WASHER,BRAKE SHAFT	1	
8-16	5033738E20	GRIP,HANDLE	1	
8-25	8703728690	LEVER,THROTTLE ASS'Y	1	
8-26	1623710120	SWITCH,STOP	1	
8-27	99342030081	SCREW, TAPPING, 3X8	3	
8-28	25937101200	BASE,STOP SWITCH	1	
8-29	26237101200	SPRING,STOP SWITCH	1	
8-30	17737101200	TERMINAL,EARTH B	1	
8-31	17637101200	TERMINAL,EARTH A	1	
8-32	3153334020	NUT,SPECIAL 5MM	2	
8-33	99355060001	RING,STOP,6	1	
8-34	83237101200	SPRING,RETURN	1	
8-35	88037101200	LEVER,THROTTLE	1	
8-36	99431050201	SCREW,5X20	2	
8-37	85337101200	SHAFT,LOCK BUTTON	1	
8-38	95837101200	SPRING,LOCK,BUTTON	1	
8-39	95637101200	BUTTON,LOCK	1	
8-40	2603331720	BODY,STOP BUTTON,B	1	
8-41	1783739480	CORD,STOP 430mm	2	
8-47	1641001900	TUBE,PROTECTION	1	
8-49	50437300200	GRIP,SHAFT	1	



#### 441-37587-00 Guard Kit



This guard kit is designed to fit all trimmers with 24 or 26 mm pipes. This guard is **NOT** approved for use with any metal blade.

ITEM	PART NUMBER	DESCRIPTION	QTY	COMMENTS
9-1	3003815990	CASE,GEAR ASS'Y	1	
9-2	99461050254	BOLT,HEX HOLE,5X25S	2	
9-4	99351022002	RING,STOP,C22,IN	1	
9-5	99350010002	RING,STOP,C-10 EX	1	
9-6	99961690002	BEARING,BALL,#6900Z	1	
9-7	99961690000	BEARING,BALL,#6900	1	
9-9	3003815020	CASE,GEAR	1	
9-11	99461050124	BOLT,HEX,5X12S	1	
9-12	3163815020	BOLT,FITTING,M8	1	
9-13	99961609000	BEARING,BALL,#609	1	
9-15	3043815020	SHAFT,GEAR	1	
9-16	99961620103	BEARING,BALL #6201D	1	
9-17	99351032002	RING,STOP,C-32 IN	1	
9-18	3103815020	HOLDER,CUTTER	1	
9-23	3243815020	WASHER,GEAR CASE	1	
9-26	99481060254	SCREW,HEX HOLE 6X25	2	
9-28	4423741720	BRACKET,SAFETY GUARD	1	
9-29	4413758700	GUARD KIT	1	Guard kit includes mounting components as shown
9-30	4453815020	HOLDER,GUARD	1	
9-32	7973815020	LIMITER,LINE	1	
9-34	99317052002	SCREW,TAPPING,5x20	1	
9-35	3013815000	SET,GEAR PINION	1	
9-37	444-37609-200	SPACER,BRACKET	2	
9-38	99461050124	BOLT,HEX,5X12S	2	



2



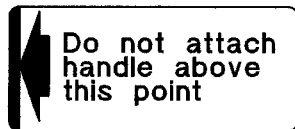
4



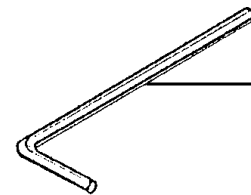
5

**⚠ WARNING!** •Read the Operator's Manual and follow all warnings and safety instructions. Failure to do so can result in serious injury to the operator and/or bystanders. •Objects may be thrown or ricochet in all directions. **ALWAYS WEAR EYE PROTECTION.** •Keep bystanders at least 50 feet (15 m) away. •To reduce the chance of hearing loss, always wear ear protection. •To reduce the risk of injury from loss of control, never use a metal blade on a curved shaft grass trimmer. Never use a metal blade on any brushcutter without barner bar or bicycle handle configuration and safety strap. •Use of a blade may cause a sudden sideways, forward or backward motion of the brushcutter when the blade contacts a solid object. See Owner's manual for model specific details.

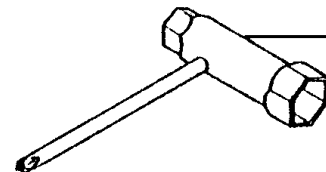
10



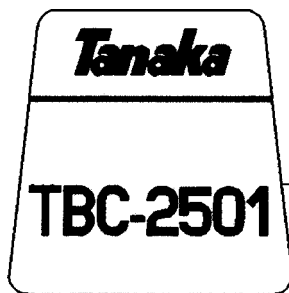
26



30



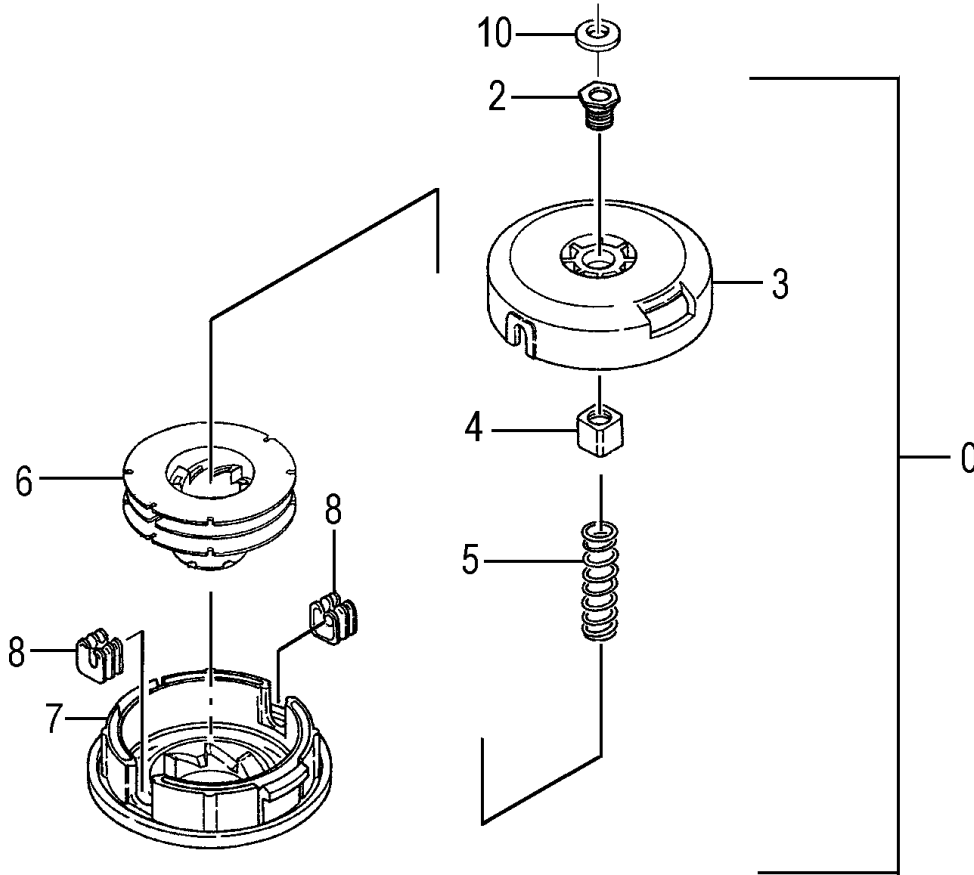
31



3

ITEM	PART NUMBER	DESCRIPTION	QTY	COMMENTS
10-30	81320000200	WRENCH,HEX,4	1	
10-31	8262000080	SPANNER,COMBI,17X19	1	

ITEM	PART NUMBER	DESCRIPTION	QTY	COMMENTS
11-2	9060706020	DECAL,MODEL TBC-2501	1	
11-3	9290706020	DECAL	1	W236035~
11-4	9233370020	DECAL,LEVEL	1	
11-5	91505015200	DECAL,SYMBOL	1	
11-10	9193738F20	DECAL,CAUTION,A	1	
11-26	9233738F20	DECAL,LEVEL	1	



ITEM	PART NUMBER	DESCRIPTION	QTY	COMMENTS
0	746451	HEAD,SEMI-AUTO 5"	1	
2	3563383B20	ADAPTER,10X1.25 LHF	1	
3	78633830200	BODY,CUTTING	1	
4	31533830200	NUT,SPECIAL	1	
5	79333830200	SPRING	1	
6	78733830200	REEL	1	
7	78933830200	CAP,BODY	1	
8	78833830200	EYELET	2	
10	99201120011	WASHER,12	1	



**COPOLYMER NYLON CUTTING LINE**

Tanaka Copolymer Nylon Cutting Line is made of a special, long lasting, weld resistant compound to provide outstanding cutting performance for grass trimmer heads.

Item No.	Description
<b>30' / 40' / 50' Nylon Line Coils ( 1 case = 24 pcs. )</b>	
746555	080-CLN / .080" Dia / Green (50 ft.)
746556	095-CLN / .095 Dia. / Orange (40 ft.)
746557	105-CLN / .105" Dia. / Red (30 ft.)
<b>1/2 lb. Nylon Line Donuts ( 1 case = 24 pcs. )</b>	
746559	080-005N / .080" Dia. / Green (200 ft.)
746560	095-005N / .095" Dia. / Orange (142 ft.)
746561	105-005N / .105" Dia. / Red (117 ft.)
746562	130-005N / .130" Dia. / Black (75 ft.)
<b>1 lb. Nylon Line Donuts ( 1 case = 24 pcs. )</b>	
746564	080-010N / .080" Dia. / Green (400 ft.)
746565	095-010N / .095" Dia. / Orange (285 ft.)
746566	105-010N / .105" Dia. / Red (235 ft.)
746567	130-010N / .130" Dia. / Black (150 ft.)
746568*	155-010N / .155" Dia. / Yellow (108 ft.)
<b>3 lb. Nylon Line Spools ( 1 case = 12 pcs. )</b>	
746168	080-030N / .080" Dia. / Green (1,200 ft.)
746169	095-030N / .095" Dia. Orange (855 ft.)
746170	105-030N / .105" Dia. / Red (705 ft.)
746171	130-030N / .130" Dia. / Black (450 ft.)
746272	155-030N / .155" Dia. / Yellow (324 ft.)
<b>5 lb. Nylon Line Spools ( 1 case = 12 pcs. )</b>	
746172	080-050N / .080" Dia. / Green (2,000 ft.)
746173	095-050N / .095" Dia. / Orange (1,425 ft.)
746174	105-050N / .105" Dia. / Red (1,175 ft.)
746175	130-050N / .130" Dia. / Black (750 ft.)
746176	155-050N / .155" Dia. / Yellow (540 ft.)



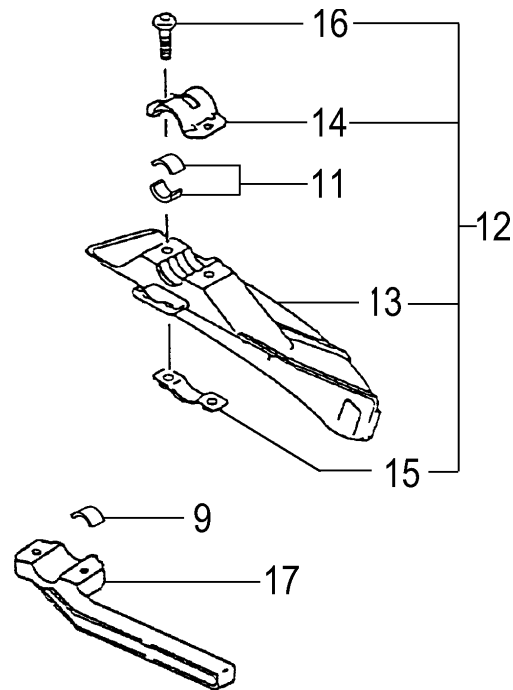
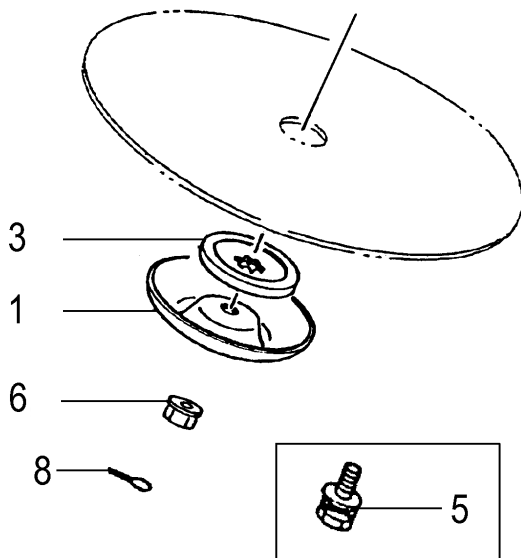
- ❖ **Unique Color-Coded Trimmer Line System.**
- ❖ **Easy to Load into Any Trimmer Head.**
- ❖ **Available in Various Package Quantities.**
- ❖ **Economical 3 lb. & 5 lb. Sizes are Available on Spools**



*All data and specifications are subject to change without notice.*



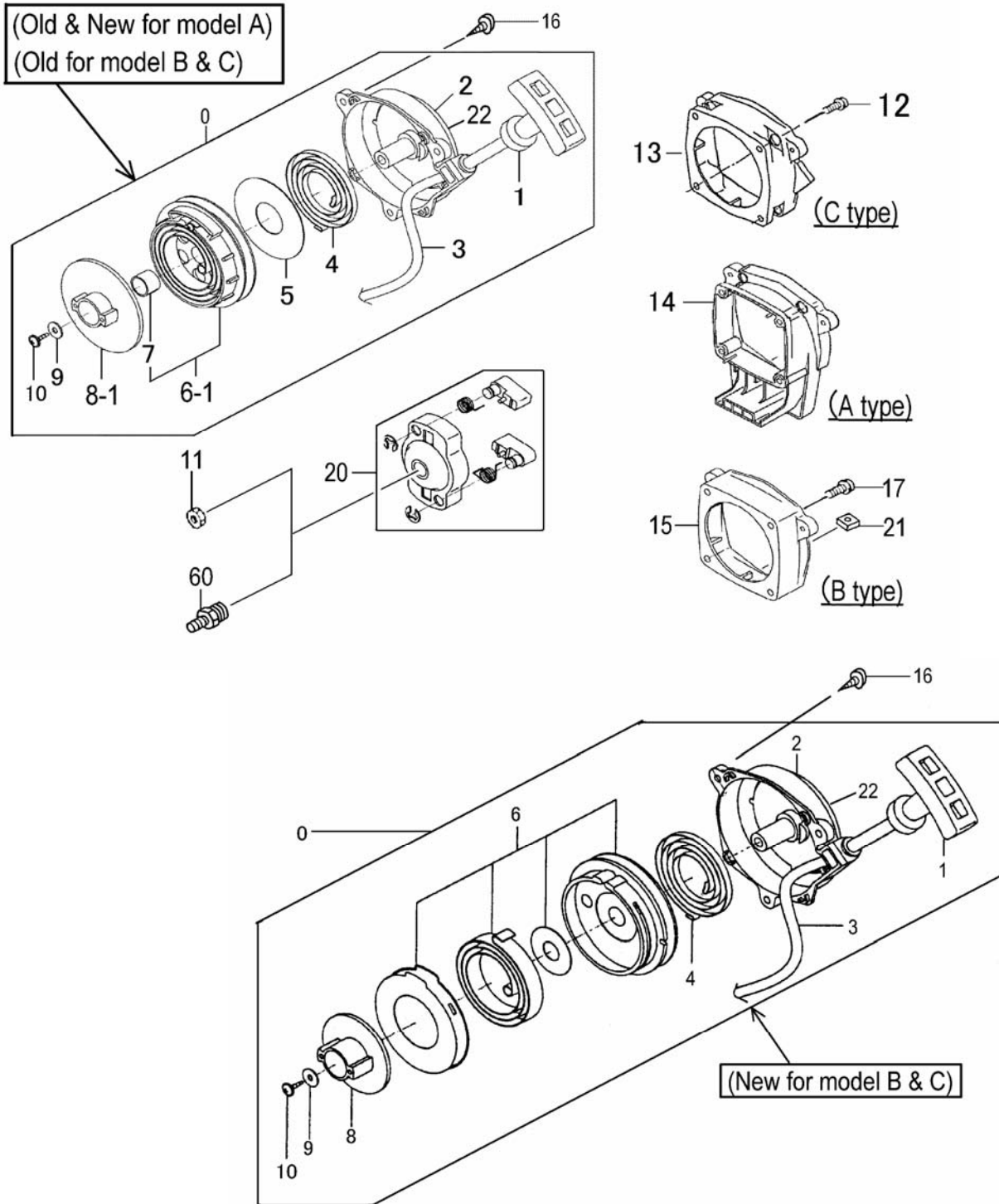
**WARNING!** Read the owners manual and follow all warnings and safety instructions. Failure to do so can result in serious injury to the operator and/or bystanders. Never attempt to mount a steel blade to a machine that is not specifically designed for that purpose. Never attempt to mount a steel blade without using all components of the blade attachment kit, including shoulder strap and barrier safety bar.



ITEM	PART NUMBER	DESCRIPTION	QTY	COMMENTS
1	30833410200	COVER,PROTECTION,B,8mm	1	8mm
1	3083786120	COVER,BOLT PROTECTOR,10mm	1	10mm
3	3113754720	CAP,CUTTER HOLDER,8mm	1	for use with 8x1.25 nut
3	3113815020	CAP,CUTTER HOLDER,10mm	1	for use with 10x1.25 nut
5	3123338620	BOLT,FLANGED,10x1.25,LH	1	10x1.25 bolt
6	3133754720	NUT,FIXING L.H. 8X1.25	1	8x1.25 nut
6	3133833220	NUT,FIXING L.H.,10X1.25	1	10x1.25 nut
8	3273718090	PIN,COTTER 2X20 (10 PACK)	1	
9	44437609200	SPACER,BRACKET	1	for use with barrier bar, 24mm shafts
11	44437609200	SPACER,BRACKET	2	
12	30060	KIT,BLADE GUARD	1	
13	4413738020	GUARD,SAFETY	1	
14	4423369921	BRACKET,SAFETY GUARD	1	
15	4453738020	HOLDER,GUIDE	1	
16	99481060254	SCREW,HEX HOLE 6X25	2	
17	5203339820	BAR,BARRIER 26mm	1	
18	746191	STRAP,SHOULDER,PSS-175	1	Includes mounting bracket/hardware

# S · START KIT

	Order Number
A --- TBC2501/D, TPH2501, TPS-2501, TPE2501	748733
B --- TBC230/230B/230D	748744
C --- TBC290/290D/340/340D	748732



### *S-Start Parts Information*

REF. NUMBER	PART NUMBER	DESCRIPTION	Q'TY		
			A	B	C
	756-07075-00	S·START KIT (TBC2501)	1		
	756-07120-00	S·START KIT (TBC230)		1	
	756-07027-00	S·START KIT (TBC290)			1
000	762-07075-90	RECOIL STARTER BODY ASS'Y	1		
000	762-07085-90	RECOIL STARTER BODY ASS'Y		1	
000	762-07027-90	RECOIL STARTER BODY ASS'Y			1
001	785-07085-20	STARTER HANDLE	1	1	1
002	772-07085-80	RECOIL STARTER BODY COMP,	1	1	1
003	783-07085-20	RECOIL ROPE	1	1	1
004	780-07085-20	RECOIL SPRING	1	1	1
005	786-07085-20	SPRING PLATE	1	1	1
006,1	778-07027-90	RECOIL SPRING CASE ASS'Y	1		1
006,1	778-07085-90	RECOIL SPRING CASE ASS'Y		1	
006,1	778-07075-90	RECOIL SPRING CASE ASS'Y	1		
006	778-07085-91	SORING CASE ASS'Y		1	1
007	328-07085-20	STARTER BUSH	1	1	1
008,1	774-07075-20	STARTER PULLEY	1		
008,1	774-07085-20	STARTER PULLEY		1	
008,1	774-07027-20	STARTER PULLEY			1
008	774-07085-21	STARTER PULLEY		1	
009	182-07085-20	SPECIAL WASHER 5.2X15	1	1	1
010	990-72050-144	TAPPING SCREW 5X14	1	1	1
011	991-01080-011	HEX. NUT 8			1
012	994-64040-185	HEX. HOLE BOLT 4X18WS			4
013	806-07027-20	STARTER BASE			1
014	806-07070-20	STARTER BASE	1		
015	806-07120-20	STARTER BASE		1	
016	990-73045-144	TAPPING SCREW 4.5X14	3	3	3
017	994-64040-125	HEX. HOLE BOLT 4X12WS		4	
020	798-07085-90	STARTER PULLEY ASS'Y	1	1	1
021	991-91050-001	SQUARE NUT 5		1	
022	915-07078-20	STARTER MARK (S·START)	1	1	1
060	314-07070-20	SPECIAL BOLT	1		