

Tanaka Illustrated Parts Manual

Model Number:

TBC-250

GRASS TRIMMER / BRUSHCUTTER

P/N 10768

Rev 003

Date 8-31-06



Supplier To The Outdoor Power Equipment Industry

Tanaka America • 1028 4th Street SW Ste "B" • Auburn, WA 98001 • Phone: (253) 333-1200 • Fax: (253) 333-1212

WHILE QUANTITIES LAST!

TBC-250

Grass Trimmer / Brush Cutter



Features / Benefits

- **24cc, 1.2 hp engine** features two piston rings and a stress relieved, chrome plated cylinder for long engine life.
- **Sound reduction system™** special air intake and muffler design reduces engine noise up to 44 percent.
- **Fully automatic BRAIN® cutting head** senses when more line is needed, always feeds out the perfect length, and keeps the engine speed at peak cutting performance.
- **Heavy-duty anti-vibration system** includes a padded front handle and heavy-duty rubber mount between the engine and shaft.
- **1 / 2 / 5 Warranty Coverage** provides **One-Year** coverage for professionals, **Two-Year** Coverage for Homeowners, and **Five Years** on the Electronic Ignition Module.

Specifications

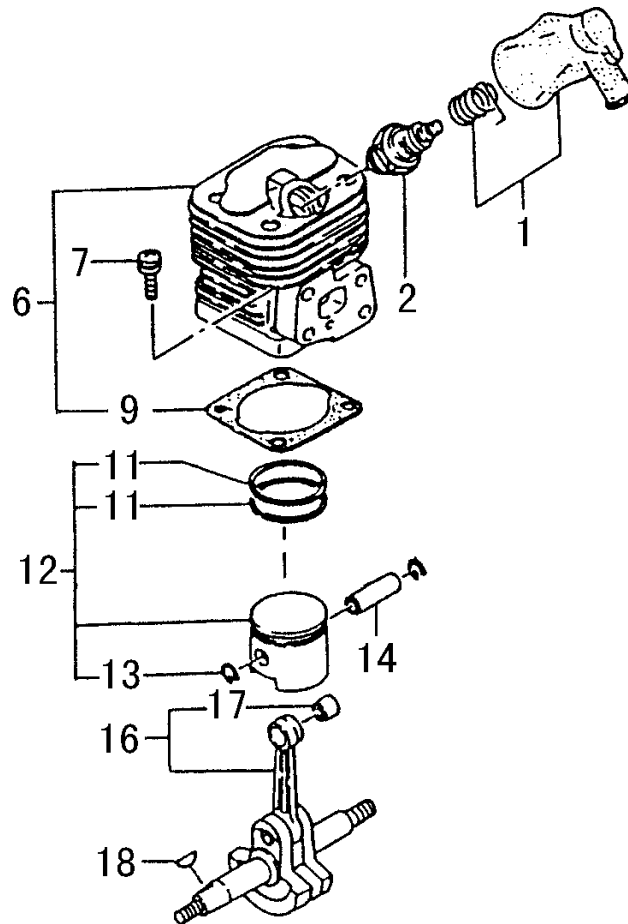
Engine Displacement cc (cu. in.)	24 (1.4)
Power (h.p.)	1.2
Cylinder	Chrome Plated, Stress Relieved
Carburetion	Walbro Diaphragm with Primer
Ignition System	Transistorized Electronic
Fuel Tank Capacity / fl. oz. (cc)	25.8 (780)
Anti-Vibration	Engine Mount & Handle
Clutch System	Heavy-Duty Centrifugal
Shaft Support	5 Shaft Bearings
Drive System	7mm Solid Steel Shaft
Standard Cutting Head	BRAIN Automatic Feed (.095" Line)
Dry Weight / lbs. (kg) w/head	12.4 (5.6)

Optional Accessories:

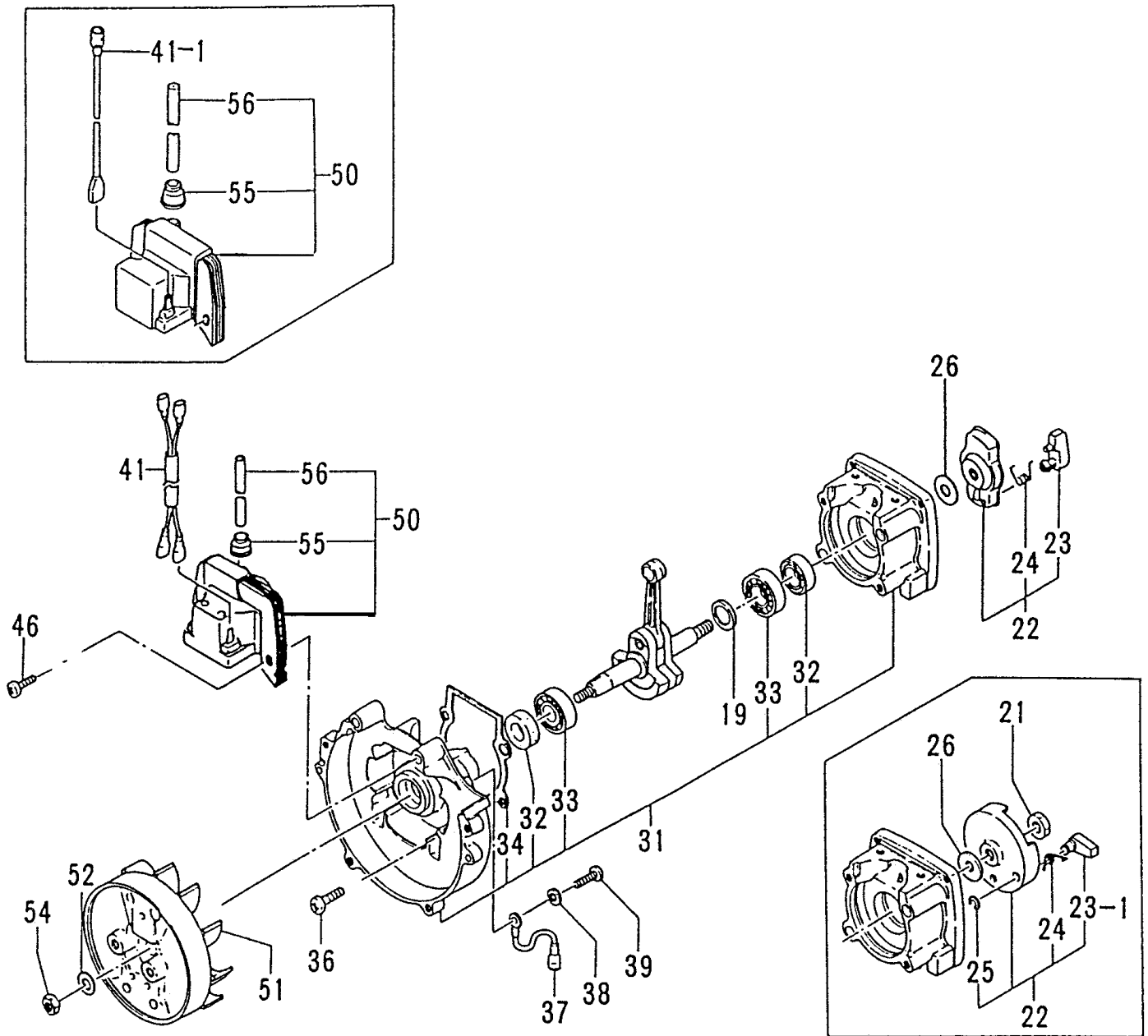
ORDER #	DESCRIPTION
746251	BRAIN® Auto feed head (TH-95)
746280	Aluminum fixed line head
746290	Aluminum manual feed head
746353	6" semi-auto head
746451	5" semi-auto head
746551	4" manual feed head
746191	Single shoulder strap
746291	Deluxe shoulder harness
Varies	Assorted brush & weed blades
748501	Blade conversion kit*
748502	Dual handle kit
TMC-200	Cultivator attachment
TPS-200	Pole Saw attachment
TPH-200	Pole Hedge Trimmer attachment
Varies	Perfect Mix 2-Cycle Engine Oil

* May require blade guard kit

All data and specifications are subject to change without notice
For more information, contact:

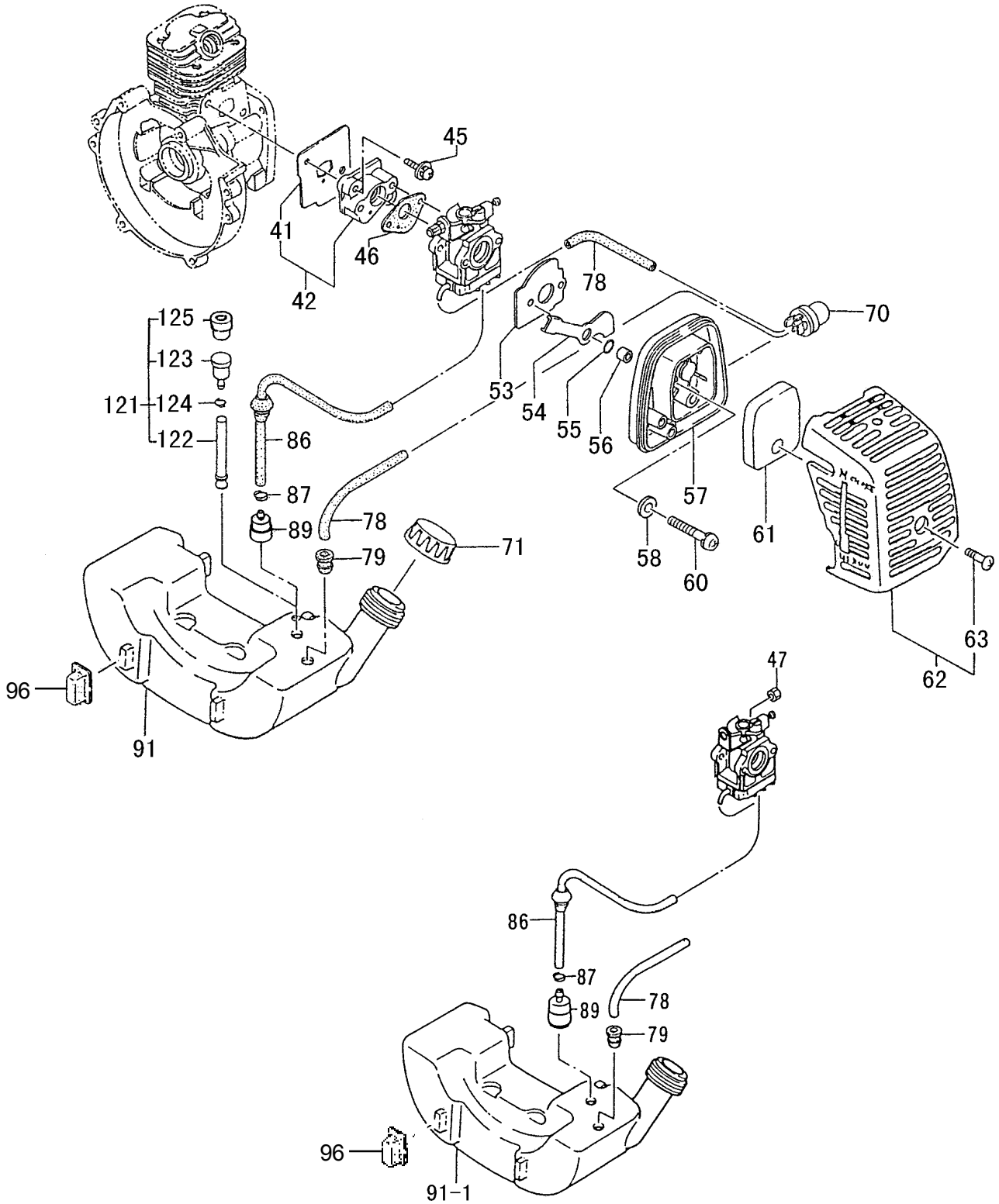


ITEM	PART NUMBER	DESCRIPTION	QTY	COMMENTS
1	1570097A900	CAP, SPARK PLUG, ASS'Y	1	
2	0181166021	PLUG, SPARK	1	
6	0010099F90	SET, CYLINDER	1	Includes gasket
7	99414050181	SCREW, S, 5X18	4	
9	01700980200	GASKET, CYLINDER	1	
11	04101601200	RING, PISTON	2	
12	0300099F90	SET, PISTON	1	Includes rings and circlips
13	03901620200	CIRCLIP, PISTON PIN	2	
14	03701601200	PIN, PISTON	1	
16	0460631A81	CRANKSHAFT	1	Includes bearing
17	99962081225	BEARING, NEEDLE, F-810	1	
18	06810100200	KEY, WOODRUFF, 3X13X4.5	1	



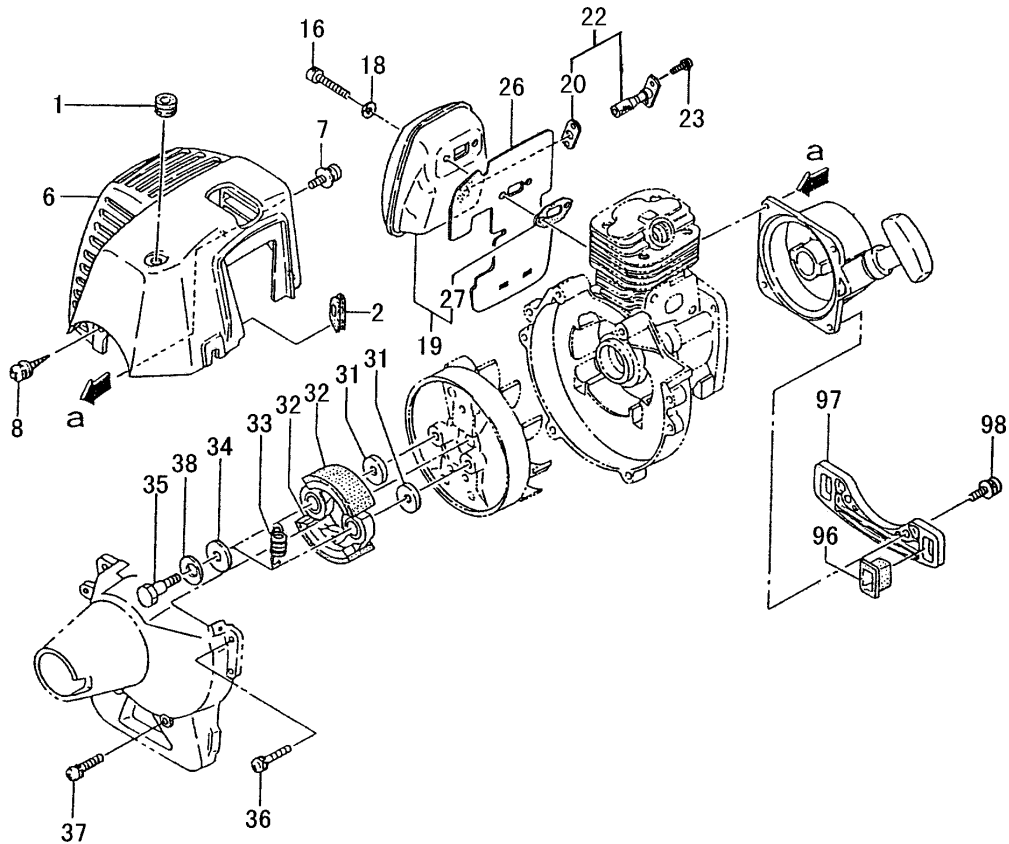
CRANKCASE, FLYWHEEL, IGNITION, PAWLS • FIGURE 2

ITEM	PART NUMBER	DESCRIPTION	QTY	COMMENTS
19	33000200210	SHIM,12.2X19X.10	1	
19	33000200220	SHIM,12.2X19X.15	1	
19	33000200230	SHIM,12.2X19X.20	1	
19	33000200240	SHIM,12.2X19X.30	1	
21	99101080011	NUT,8	1	~L170133
22	79806500900	PULLEY,STARTER,ASS'Y	1	
23-1	78806097200	PAWL,STARTER	1	~L170133
23	7880650020	PAWL,STARTER	1	L170134~
24	79006097200	SPRING,STARTER PAWL	1	
25	99355005000	RING,STOP,5	1	~L170133
26	35910112203	WASHER,CLUTCH B	1	
31	07200980900	CRANKCASE,ASS'Y	1	
32	99966122206	SEAL,OIL,#TC12227	2	
33	99961600100	BEARING,BALL,#6001	2	
34	09006097200	GASKET,CRANKCASE	1	
36	99414050251	SCREW,5X25	4	
37	2740631A800	CORD,EARTH	1	~L307753
38	99210040012	WASHER,S,4	1	~L307753
39	99011040081	SCREW,4X8	1	~L307753
41-1	1780631A800	CORD,STOP,360mm	1	~L307753
41-1	1780128080	CORD,STOP,380mm	2	~N159150
41	1780655080	CORD,STOP,180mm	1	N159151~
46	99416050201	SCREW,5X20/WS	2	
50	16720516900	COIL,IGNITION	1	~L307753
50	1672052190	COIL,IGNITION	1	L307754~
51	1552050880	ROTOR,MAGNETO	1	
52	99201070011	WASHER,7	1	
54	06600000200	NUT,FLYWHEEL	1	
55	56020517200	CAP,RUBBER	1	
56	26420516200	LEAD,HIGH TENSION	1	

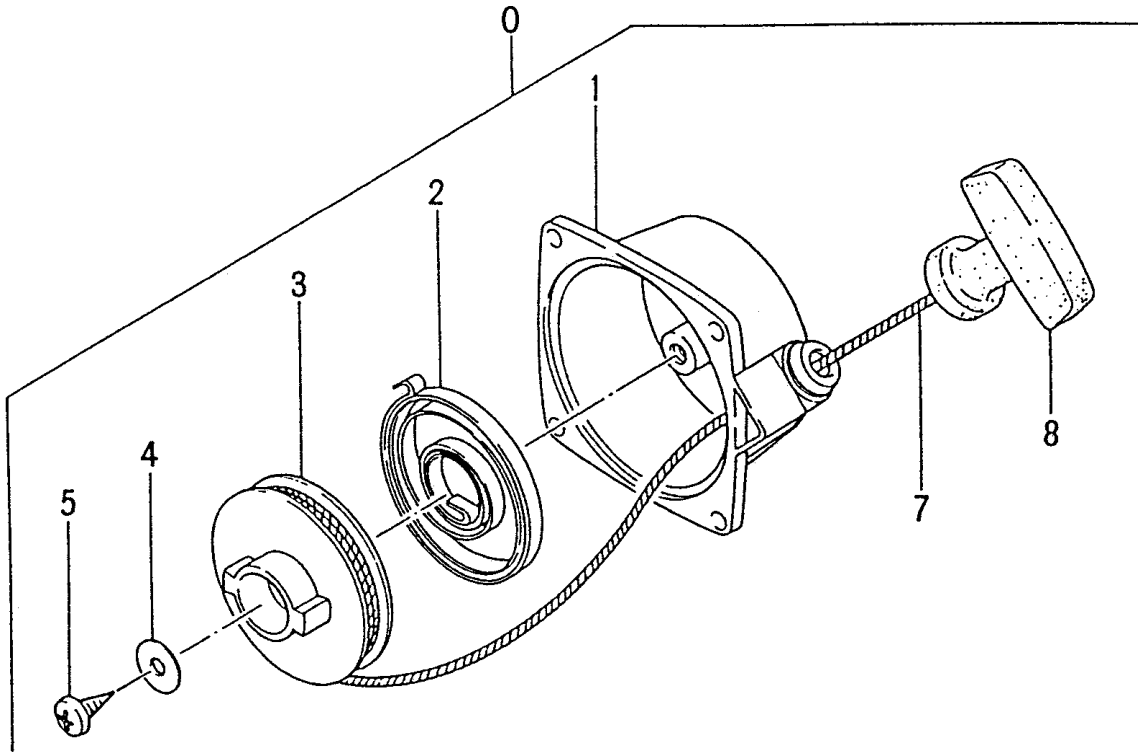


ITEM	PART NUMBER	DESCRIPTION	QTY	COMMENTS
41	4030631A20	GASKET,INLET MANIFOLD	1	
42	4040099F90	SET,CARB INSULATOR	1	Includes gasket
45	99416050221	SCREW,5X22/WS	2	
46	4020602K21	GASKET,CARBURETOR	1	
47	99101060013	NUT,6	1	~N159150
53	4360162V20	BASE,CLEANER	1	
54	52800980200	PLATE,CHOKE	1	
55	99967008012	O-RING,S-8	1	
56	4700602N200	COLLAR,CLEANER	1	
57	4230637C800	BODY,CLEANER	1	
58	99200050011	WASHER,SMALL,5	2	
60	99414050571	SCREW,5X57,S	2	
61	4460637C200	ELEMENT,CLEANER	1	
62	0510099F90	SET,CLEANER COVER	1	
63	3800637C200	BOLT,CLEANER COVER	1	
70	44225143800	PUMP,PRIMING ASS'Y	1	
71	5950650A90	CAP,TANK	1	~T251647
71	5950656B90	CAP,FUEL BLACK,NON VENT	1	T251648~
78	7000250408	PIPE,FUEL,2.5x4x80	2	
79	53432710200	GROMMET,FUEL PIPE	1	
86	2230162V900	PIPE,FUEL,ASS'Y	1	
87	68000731201	CLIP 6.3	1	
89	6750404280	FILTER,FUEL	1	
91-1	5910645D20	TANK,FUEL	1	~T251647
91	5910099520	TANK,FUEL	1	T251648~
96	65500940201	CUSHION,FUEL TANK	4	
121	5640661190	VENT,AIR ASS'Y	1	T251648~
122	5650503220	PIPE,AIR VENT	1	T251648~
123	6460661290	VALVE	1	T251648~
124	68000731201	CLIP 6.3	1	T251648~
125	5610007020	COVER,AIR VENT	1	T251648~

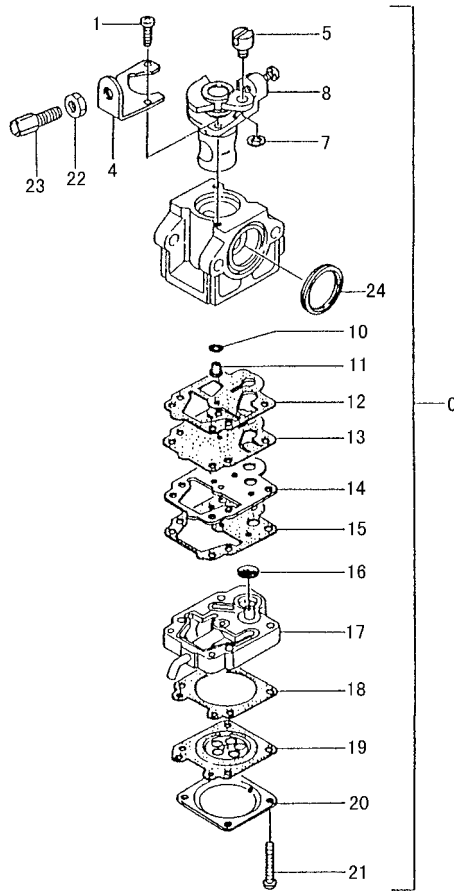
CLUTCH, MUFFLER, COVER • FIGURE 4



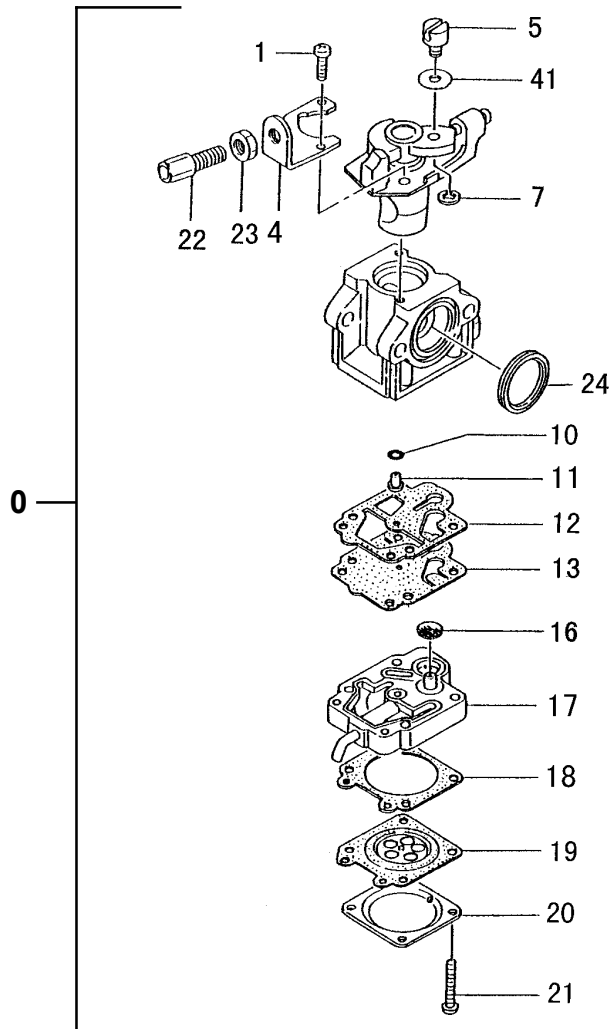
ITEM	PART NUMBER	DESCRIPTION	QTY	COMMENTS
1	20201003201	GROMMET,SECONDARY CORD	1	
2	2030631A200	GROMMET	1	
6	7380631A201	PROTECTOR,MUFFLER	1	
7	99415040222	SCREW,PS,4X22	2	
8	99415040122	SCREW,4X12/PS	2	~P211650
8	99072045164	SCREW,TAPPING,4.5X16	2	P211651~
16	99051050503	BOLT,HEX,5X50	2	
18	99201050011	WASHER,5	2	
19	7040652A90	SET, MUFFLER	1	
20	75104200201	GASKET,MUFFLER	1	
22	7210659090	PIPE,TAIL	1	
23	99434040081	SCREW,4X8/S	2	
26	1330631A201	SHIELD,HEAT	1	
27	7370610021	GASKET,MUFFLER	1	
31	35902103200	WASHER,CLUTCH,B	2	
32	29001620800	SHOE,CLUTCH	2	
33	3420630B200	SPRING,CLUTCH	1	
34	3480602R200	WASHER,CLUTCH A	2	
35	3570075T200	BOLT,STEP	2	
36	99416050202	SCREW,5X20/WS	2	
37	99416050422	SCREW,5X42/WS	2	
38	99205080030	WASHER,8	2	
96	65500940201	CUSHION,FUEL TANK	4	
97	6530631A200	BRACKET,TANK	1	
98	99415040222	SCREW,PS,4X22	2	



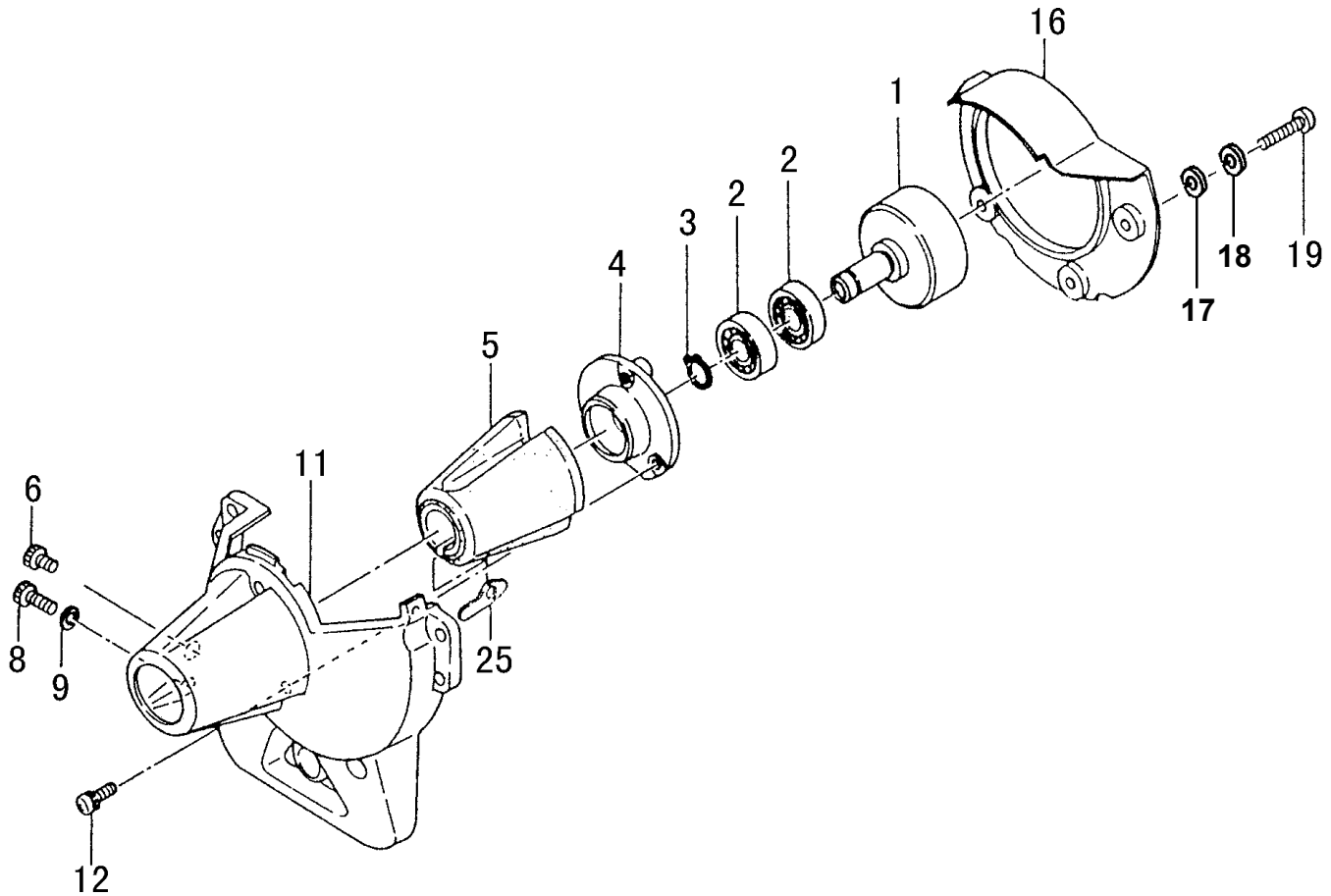
ITEM	PART NUMBER	DESCRIPTION	QTY	COMMENTS
0	76206097902	STARTER,RECOIL ASS'Y	1	
1	7720609700	SET,STARTER BODY	1	
2	78006097200	SPRING,RECOIL	1	
3	77406097200	PULLEY,STARTER	1	
4	80106091200	WASHER,ROPE REEL	1	~Q008100
5	99015050121	SCREW,5X12	1	~L170133
5	8390201020	SCREW,SET	1	L170134~
7	78306097200	ROPE,STARTER	1	
8	78506097200	HANDLE,STARTER	1	



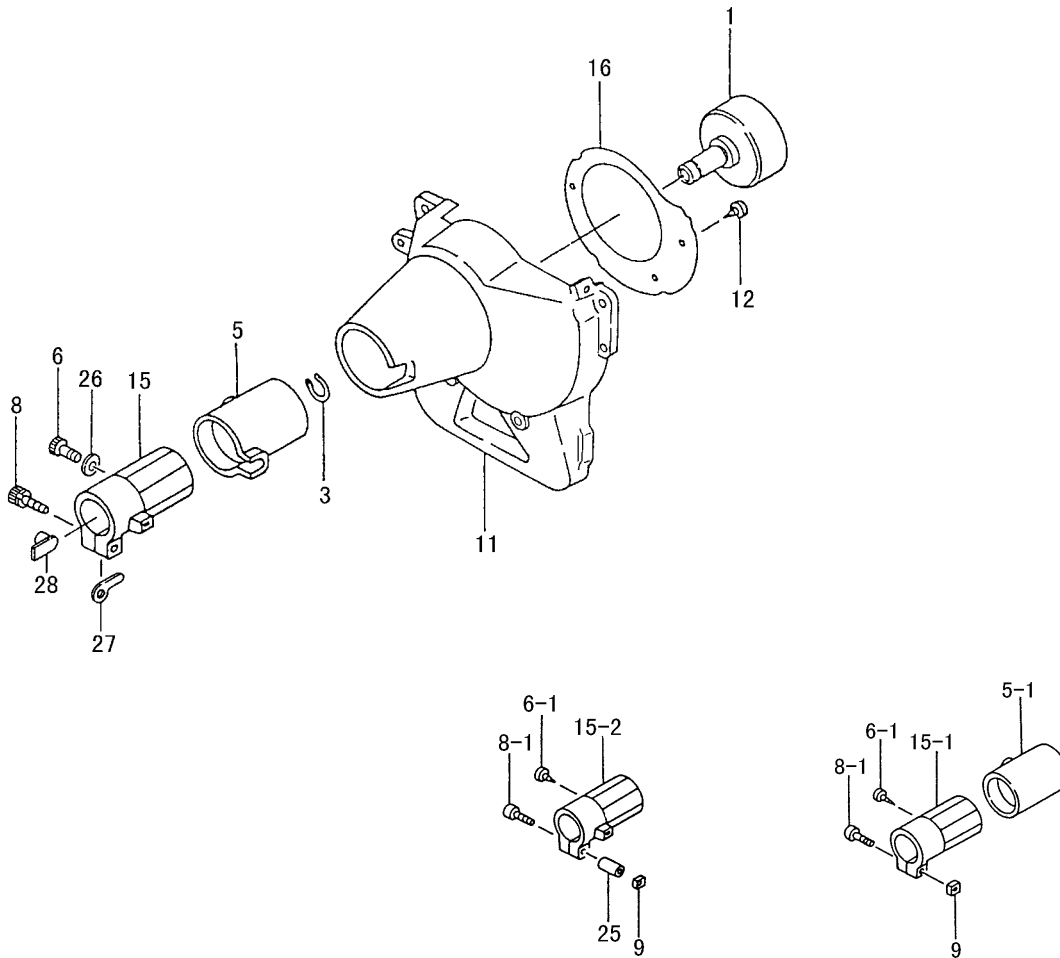
ITEM	PART NUMBER	DESCRIPTION	QTY	COMMENTS
0	45525144900	CARBURETOR,ASS'Y	1	~N159150
0	4552516090	CARBURETOR,ASS'Y	1	N159151 thru N283271
1	51425100200	SCREW,THROTTLE SET	2	
4	54425120200	STAY,ADJUST,CABLE	1	
5	53925120200	SWIVEL	1	
7	48925100200	RING,STOP	1	
8	48825129800	VALVE,THROTTLE	1	
10	55025100200	O-RING	1	
11	5992000W430	JET,MAIN,#43	1	
12	~ ~ ~	GASKET,PUMP	1	~ Parts not available individually
13	~ ~ ~	DIAPHRAGM,PUMP	1	Order #650.25124.900 Carb Kit
14	52325100201	PLATE,PUMP	1	
15	52225100200	PLATE,CIRCUIT	1	
16	57825007200	SCREEN,INLET	1	
17	57525130800	BODY,PUMP	1	
18	~ ~ ~	GASKET,DIAPHRAGM	1	
19	~ ~ ~	DIAPHRAGM,METERING	1	
20	47625004200	COVER,DIAPHRAGM	1	
21	54825101200	SCREW,SET	4	
22	99101060013	NUT,6	1	N159151~
23	61425137200	ADJUSTER,CABLE	1	N159151~
24	4310634C200	GASKET,CLEANER	1	



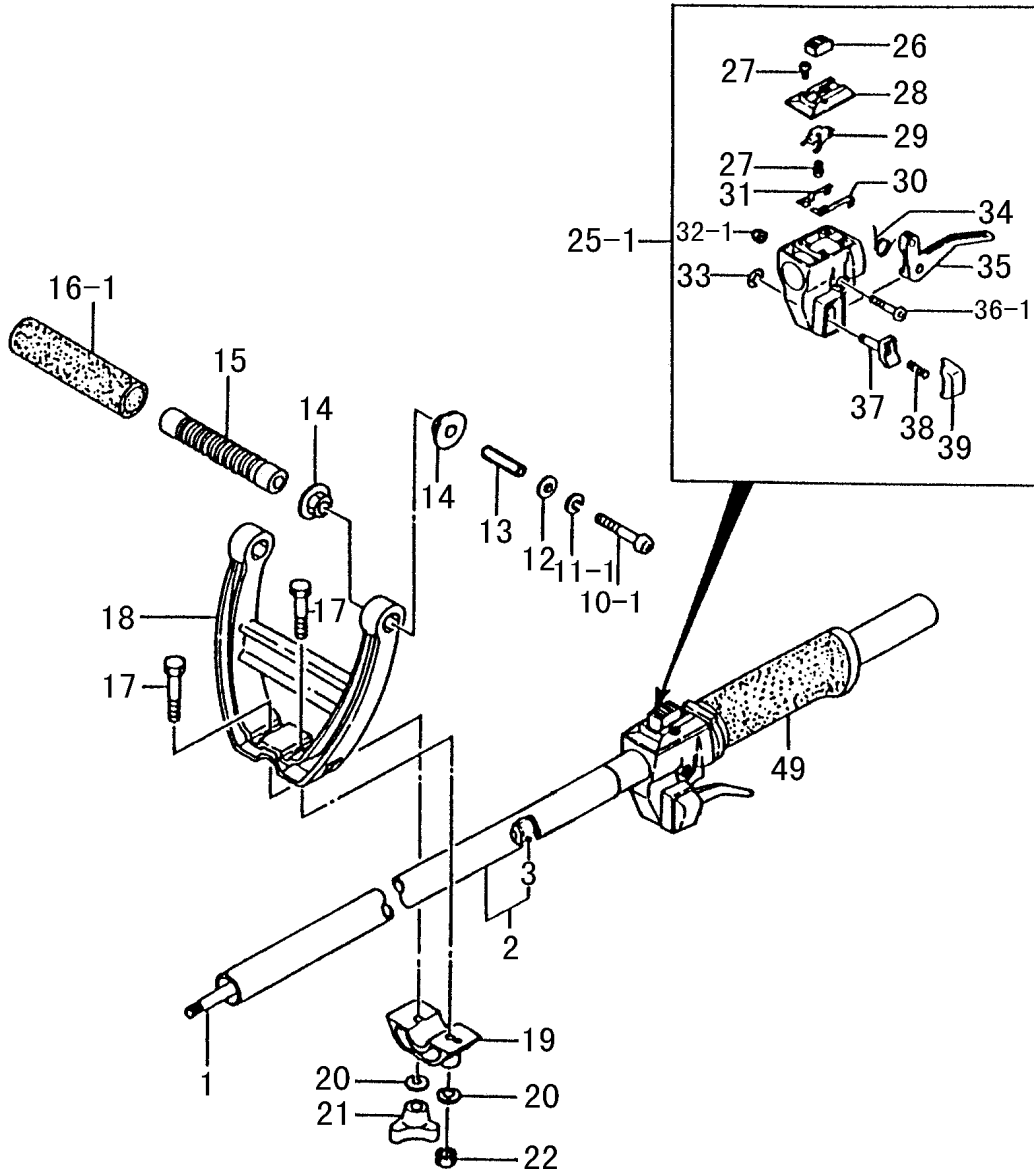
ITEM	PART NUMBER	DESCRIPTION	QTY	COMMENTS
0	4550099M90	CARBURETOR SET	1	S283271~
1	51425100200	SCREW, THROTTLE SET	2	
4	54425164200	STAY, ADJUST, CABLE	1	
5	53925120200	SWIVEL	1	
7	48925100200	RING, STOP	1	
10	55025100200	O-RING	1	
11	5992000W430	JET, MAIN, #43	1	~ Parts not available individually Order #650.25124.900 Carb Kit
12	~ ~ ~	GASKET, PUMP	1	
13	~ ~ ~	DIAPHRAGM, PUMP	1	
16	57825007200	SCREEN, INLET	1	
17	5752514780	BODY, PUMP ASS'Y	1	
18	~ ~ ~	GASKET, DIAPHRAGM	1	
19	~ ~ ~	DIAPHRAGM, METERING	1	
20	47625004200	COVER, DIAPHRAGM	1	
21	54825101200	SCREW, SET	4	
22	61425137200	ADJUSTER, CABLE	1	
23	99101060013	NUT, 6	1	
24	4310634C200	GASKET, CLEANER	1	
41	5492516520	WASHER, THRUST	1	



ITEM	PART NUMBER	DESCRIPTION	QTY	COMMENTS
1	2890631A802	DRUM,CLUTCH	1	~P211650
2	99961600102	BEARING,BALL,#6001Z	2	
3	99350012002	RING,STOP,C-12 EX	1	
4	3740631A20	FLANGE,CLUTCH	1	
5	5990631A802	CUSHION	1	
6	99051050103	BOLT,HEX.HOLE,5X10	1	
8	99051050203	BOLT,HEX.HOLE,5X20	1	
9	99210050062	WASHER,S,5	1	
11	1120631A201	CASE,FAN	1	
12	99414050122	SCREW,S,5X12	3	
16	0910631A200	SHIELD,HEAT	1	
17	99201040011	WASHER,4	3	
18	99210040012	WASHER,S,4	3	
19	99011040121	SCREW,4X12	3	
25	2490165A21	SPACER	1	

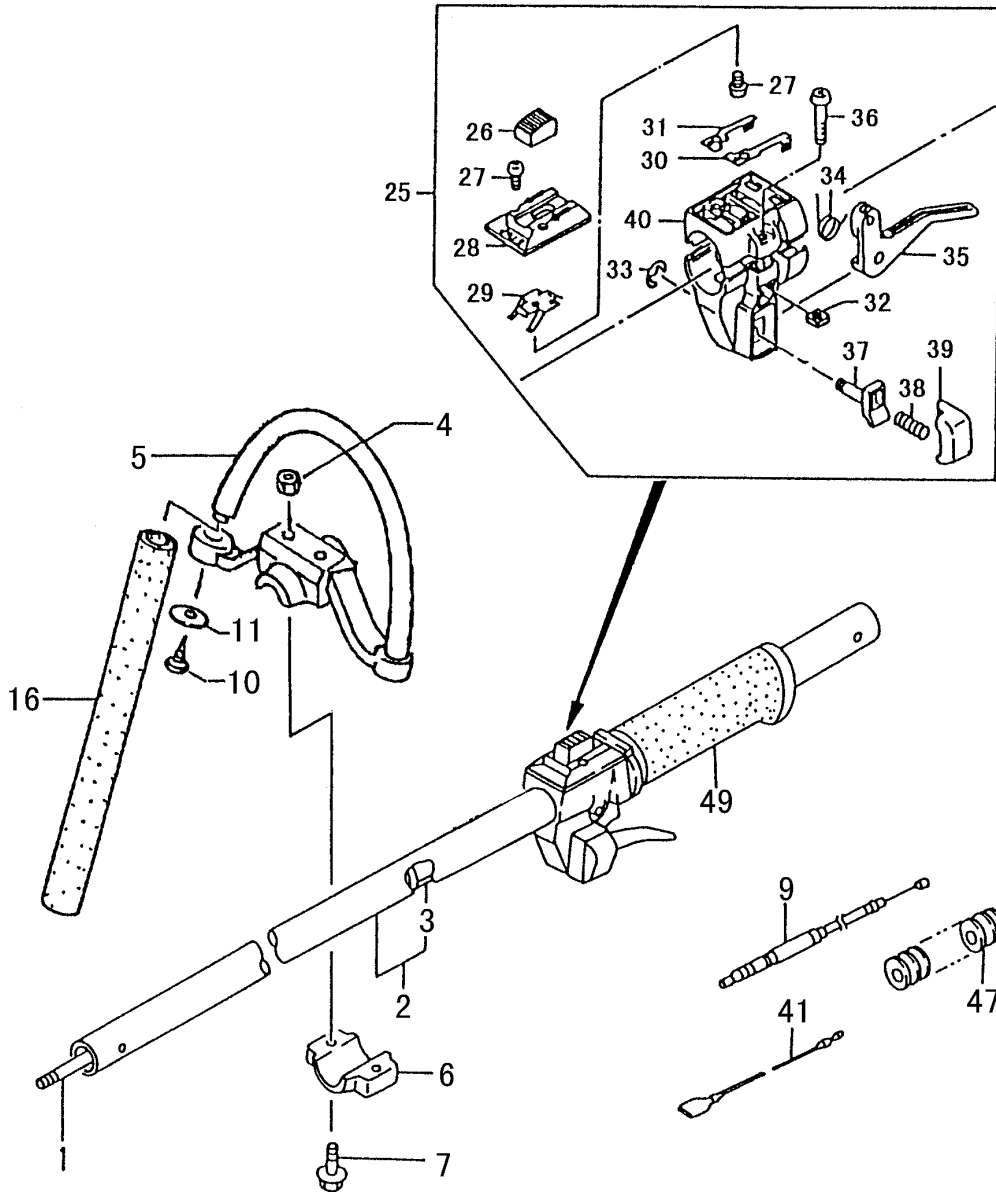


ITEM	PART NUMBER	DESCRIPTION	QTY	COMMENTS
1	2890098080	DRUM,CLUTCH	1	P211651~
3	99350012002	RING,STOP,C-12 EX	1	P211651~
5-1	5990098020	CUSHION,RUBBER	1	~S015030
5	5990098021	CUSHION,RUBBER	1	S015031~
6-1	99074045164	SCREW,TAPPING 4.5x16	1	~T185696
6	99051050163	BOLT,HEX,5X16	1	T185397~
8-1	99054050203	BOLT,HEX,5X20	1	~S015030
8-1	99054050253	BOLT,HEX 5x25	1	~T185696
8	99461050254	BOLT,HEX HOLE,5X25S	1	T185697~
9	0960430020	COLLAR 6.3x18	1	S015031~
11	1120098081	CASE,FAN	1	P211651~
12	99072045164	SCREW,TAPPING,4.5X16	3	P211651~
15-1	3600098020	HOLDER,PIPE	1	~S015030
15-2	3600098021	HOLDER,PIPE	1	~T185696
15	3600099020	HOLDER,PIPE	1	T185697~
16	0910098020	SHIELD,HEAT	1	P211651~
25	99191050001	NUT,5	1	~T185696
26	99201050061	WASHER,5	1	T185697~
27	3243735020	WASHER,GEAR CASE	1	T185697~
28	3610099020	FITTING,METAL	1	T185697~



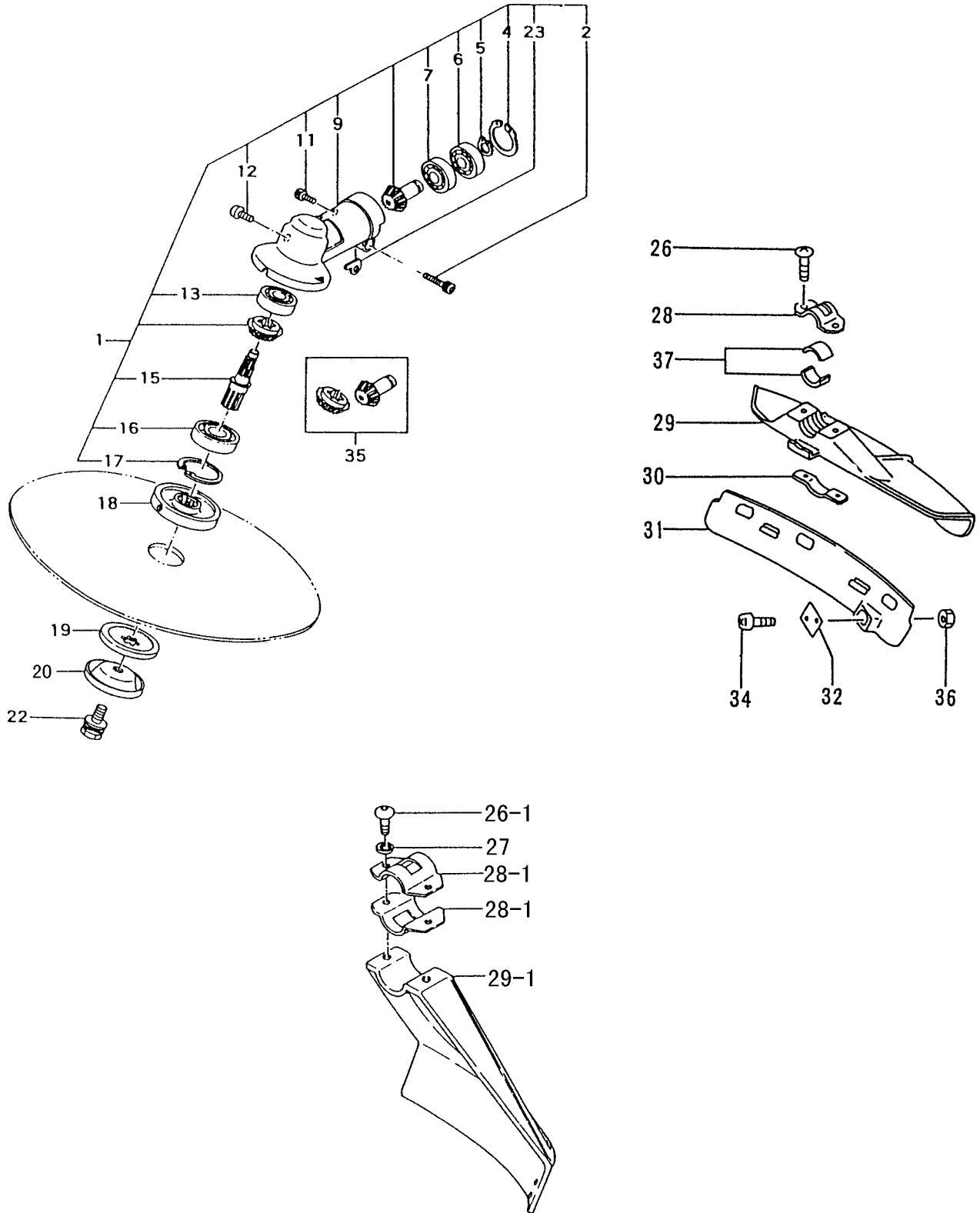
HANDLE, THROTTLE LEVER, SHAFT • FIGURE 10

ITEM	PART NUMBER	DESCRIPTION	QTY	COMMENTS
1	34337300200	SHAFT,DRIVE	1	
2	3413762381	PIPE,DRIVE SHAFT	1	
3	34737601900	BUSHING	5	
10-1	99011060554	SCREW,6X55	2	~R218770
11-1	99210060062	WASHER,S,6	2	~R218770
12	76137400200	WASHER,A 2.3	2	~R218770
13	51337400200	HOLDER,HANDLE	2	~R218770
14	31937400200	CUSHION	4	~R218770
15	49037400800	HANDLE,INNER	1	~R218770
16-1	50337400200	GRIP,HANDLE	1	~R218770
17	99021060504	BOLT,6X50	2	~R218770
18	50037600200	HANDLE	1	~R218770
19	50637600200	BRACKET,HANDLE,A	1	~R218770
20	35902103200	WASHER,CLUTCH,B	2	~R218770
21	5123781080	KNOB,HANDLE	1	
22	99101060041	NUT,6	1	~R218770
25-1	87037300900	LEVER,THROTTLE ASSY	1	~T059506
26	1623710120	SWITCH,STOP	1	
27	99342030081	SCREW,TAPPING,3X8	3	
28	25937101200	BASE,STOP SWITCH	1	
29	26237101200	SPRING,STOP SWITCH	1	
30	17737101200	TERMINAL,EARTH B	1	
31	17637101200	TERMINAL,EARTH A	1	
32-1	99186050000	NUT,LOCK,5	1	~T059506
33	99355060001	RING,STOP,6	1	
34	83237101200	SPRING,RETURN	1	
35	88037101200	LEVER,THROTTLE	1	
36-1	99431050251	SCREW,S.,5X25	1	~T059506
37	85337101200	SHAFT,LOCK BUTTON	1	
38	95837101200	SPRING,LOCK,BUTTON	1	
39	95637101200	BUTTON,LOCK	1	
49	50437300200	GRIP,SHAFT	1	

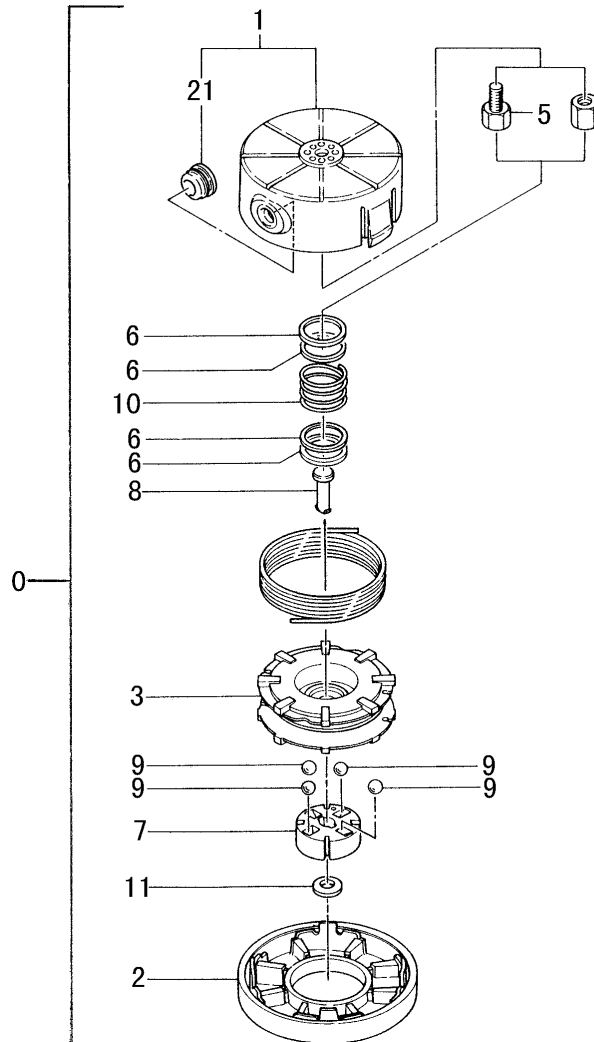


HANDLE, THROTTLE LEVER, SHAFT • FIGURE 11

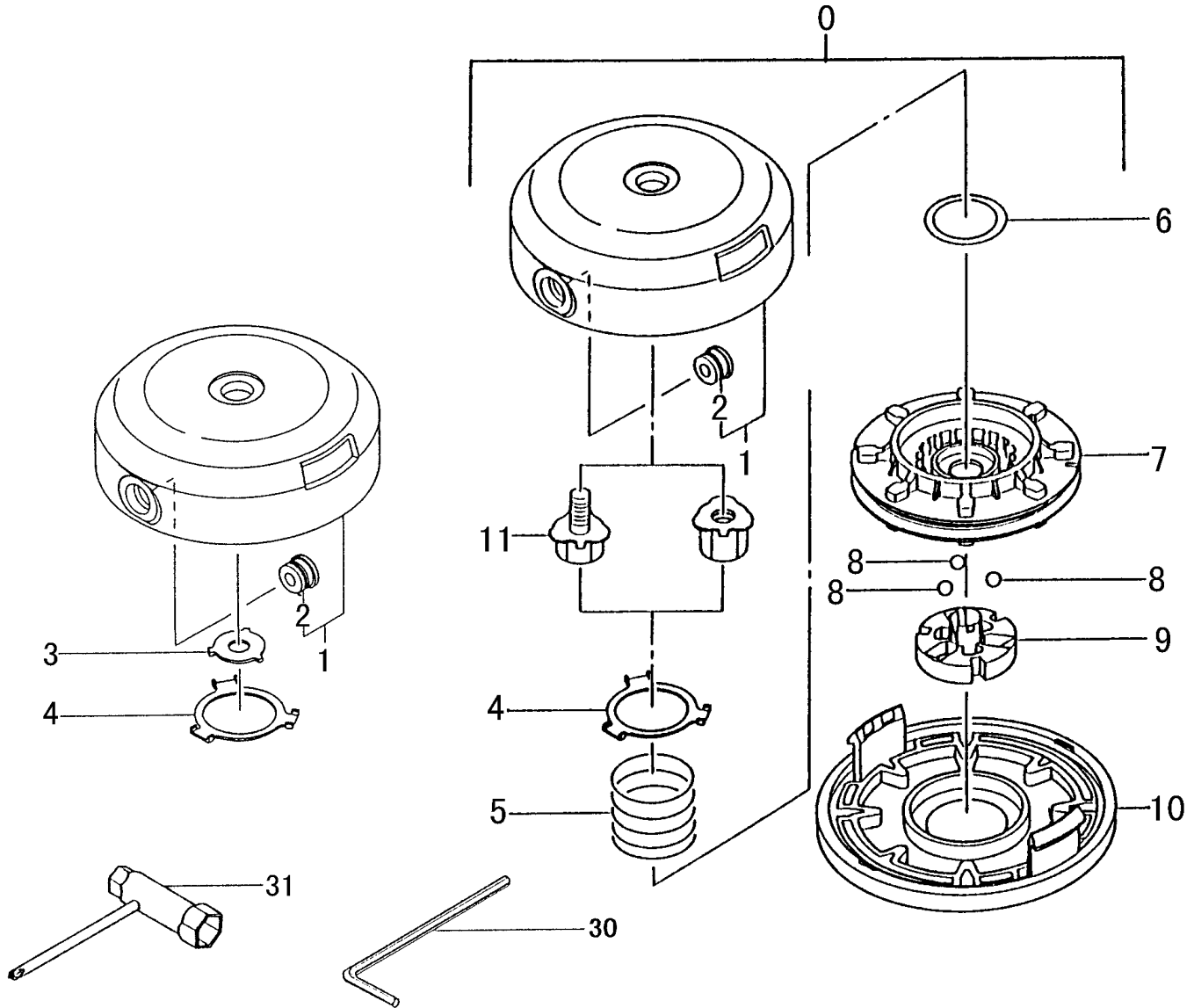
ITEM	PART NUMBER	DESCRIPTION	QTY	COMMENTS
1	34337300200	SHAFT,DRIVE	1	
2	3413762381	PIPE,DRIVE SHAFT	1	
3	34737601900	BUSHING	5	
4	99101060041	NUT,6	2	R218771~
5	5003728620	HANDLE	1	R218771~
6	50637300200	BRACKET,HANDLE,A	1	R218771~
7	99423060432	BOLT 6X43	2	R218771~
9	8853739480	WIRE,THROTTLE	1	N159151~
9	8850631A802	WIRE,THROTTLE	1	~N159150
10	99311052012	SCREW,TAPPING 5X20	1	R218771~
11	36832350200	WASHER,BRAKE SHAFT	1	R218771~
16	5033738E20	GRIP,HANDLE	1	R218771~
25	8703728690	LEVER,THROTTLE ASS'Y	1	T059507~
26	1623710120	SWITCH,STOP	1	
27	99342030081	SCREW,TAPPING,3X8	3	
28	25937101200	BASE,STOP SWITCH	1	
29	26237101200	SPRING,STOP SWITCH	1	
30	17737101200	TERMINAL,EARTH B	1	
31	17637101200	TERMINAL,EARTH A	1	
32	3153334020	NUT,SPECIAL 5MM	2	T059507~
33	99355060001	RING,STOP,6	1	
34	83237101200	SPRING,RETURN	1	
35	88037101200	LEVER,THROTTLE	1	
36	9943105020	SCREW,5X20	2	T059507~
37	85337101200	SHAFT,LOCK BUTTON	1	
38	95837101200	SPRING,LOCK,BUTTON	1	
39	95637101200	BUTTON,LOCK	1	
40	2603331720	BODY,STOP BUTTON,B	1	~T059507
41	17837300801	CORD,STOP 230mm	2	~N159150
41	1783739480	CORD,STOP 430mm	2	N159151~
47	16413014010	TUBE,PROTECTION	1	~N159150
47	1641001900	TUBE,PROTECTION	1	N159151~
49	50437300200	GRIP,SHAFT	1	



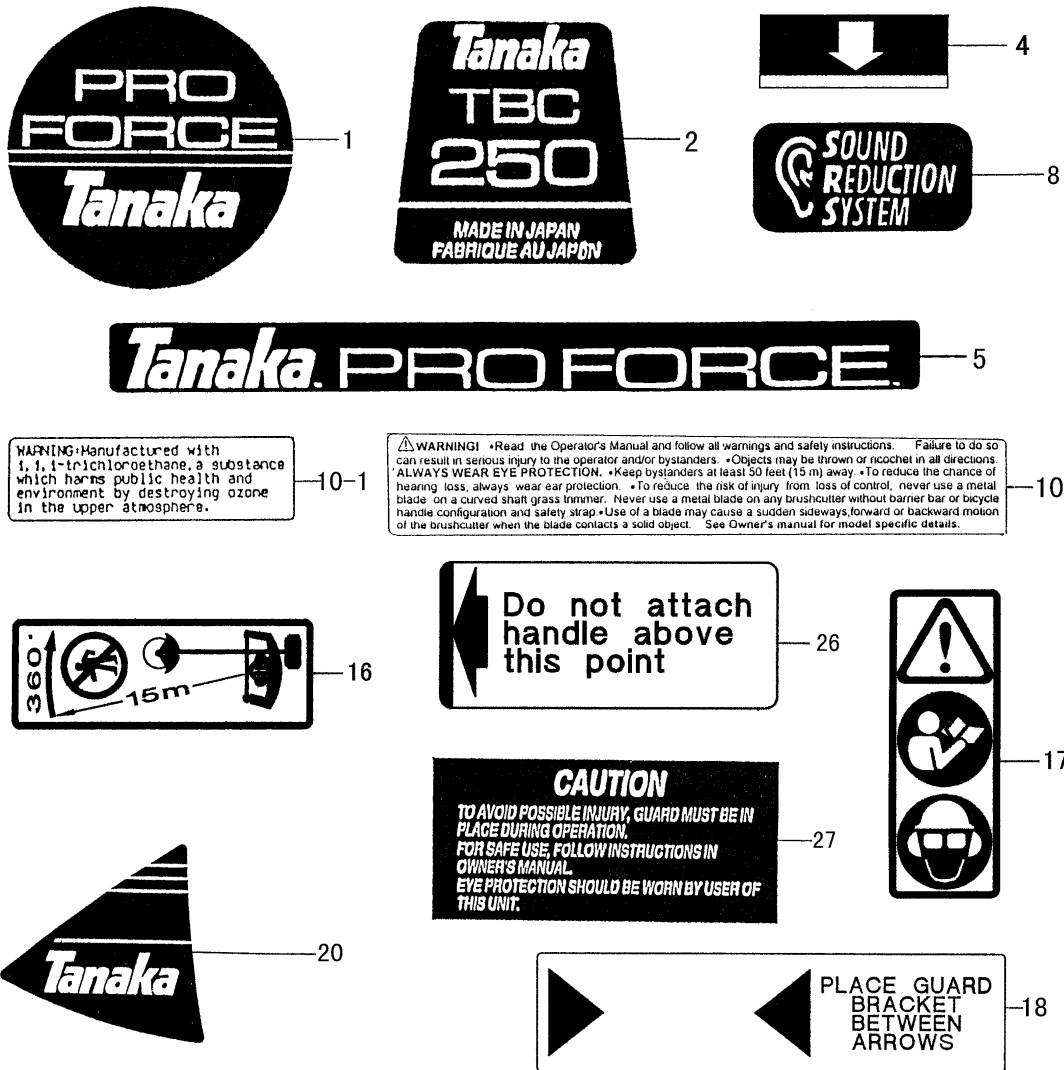
ITEM	PART NUMBER	DESCRIPTION	QTY	COMMENTS
1	3003741791	CASE, GEAR ASS'Y	1	
2	99461050254	BOLT, HEX HOLE, 5X25S	1	
4	99353022002	RING, STOP, R22 IN	1	
5	99350010002	RING, STOP, C-10 EX	1	
6	99961690001	BEARING, BALL, #6900ZZ	1	
7	99961690000	BEARING, BALL, #6900	1	
9	3003762320	CASE, GEAR	1	
11	99051050103	BOLT, HEX. HOLE, 5X10	1	
12	99423080100	BOLT, 8X10	1	
13	99961626000	BEARING, BALL, #626	1	
15	3043730720	SHAFT, GEAR	1	
16	99961600104	BEARING, BALL, #6001DD	1	
17	99351028002	RING, STOP, IN, C-28	1	
18	3103810020	HOLDER, CUTTER	1	
19	31137300203	CAP, CUTTER HOLDER	1	~T059506
20	31633410200	PROTECTOR, BOLT	1	~T059506
22	31237623200	BOLT, FIXING, W/WASHERS	1	~M218333
22	3123338620	BOLT, FIXING, L.H., FLANGED	1	~T059506
23	3243735020	WASHER, GEAR CASE	1	
26-1	99023060161	BOLT, 6X16 PLUS	2	~T059506
26-1	99053060253	BOLT, HEX, 6X25	2	~T251647
26	99481060254	SCREW, HEX HOLE 6X25	2	T251648~
27	99210060012	WASHER, S, 6	2	~T251647
28-1	44233905201	BRACKET, SAFETY GUARD	2	~Q214833
28-1	4423741720	BRACKET, SAFETY GUARD	2	~T059506
28	4423369921	BRACKET, SAFETY GUARD	2	T059507~
29-1	44133905800	GUARD, SAFETY	1	~T059506
29	4413738020	GUARD, SAFETY	1	T059507~
30	4453738020	HOLDER, GUARD	1	T059507~
31	4473738020	EXTENSION, GUARD	1	T059507~
32	7973738021	LIMITER, LINE	1	T059507~
34	99414050121	SCREW, S, 5X12	1	T059507~
35	3013730001	SET, GEAR/PINION	1	
36	99101050011	NUT, 5	1	T059507~
37	44437609200	SPACER, BRACKET	2	T059507~



ITEM	PART NUMBER	DESCRIPTION	QTY	COMMENTS
0	746251	HEAD,BRAIN (TH-95)	1	~Q151000
1	78633004900	BODY,CUTTING,ASS'Y	1	
2	7893300421	CAP,BODY	1	
3	78733004202	REEL,(R S M X)	1	
5	3143367020	BOLT,8X1.25 LH GOLD	1	
6	79233004200	WASHER,REEL	4	
7	79033004200	SLIDER,REEL	1	
8	79133004200	HOOK,REEL SLIDER	1	
9	6733560020	BALL,STEEL	4	
10	79333440200	SPRING,REEL,GOLD	1	
11	35802103200	WASHER,CLUTCH A	1	
21	7883307120	EYELET	2	



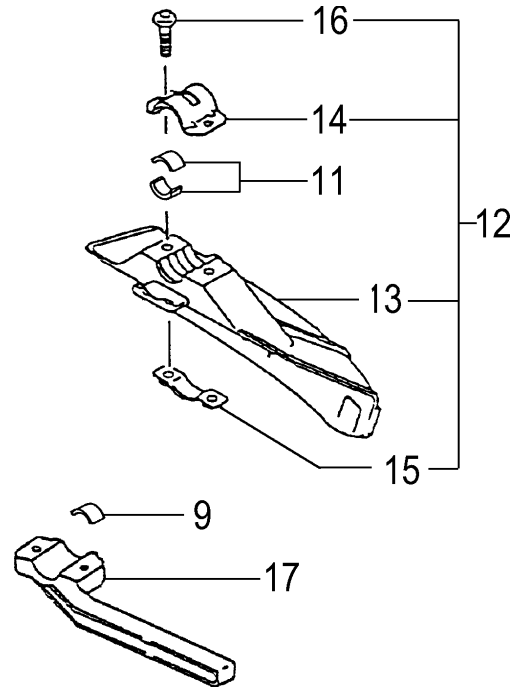
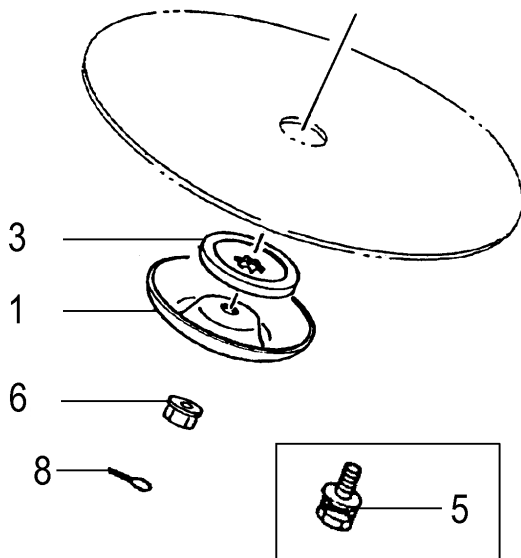
ITEM	PART NUMBER	DESCRIPTION	QTY	COMMENTS
0	746751	HEAD,BRAIN 2000	1	R218770~
1	7863381091	BODY,CUTTING	1	
2	7883307120	EYELET	2	
3	7603381020	WASHER,MOUNTING	1	~R218770
4	7853381020	BASE,ADJUSTMENT	1	
5	7933381022	SPRING,REEL,YELLOW	1	
6	7923381020	WASHER,ADJUSTMENT	1	
7	7873382120	REEL,TH-97B/RB	1	
8	6733560020	BALL,STEEL	3	
9	7903381020	SLIDER,REEL	1	
10	7893381020	CAP,BODY	1	
11	3143381280	BOLT,MOUNTING	1	T059507~
30	81320000200	WRENCH,HEX,4	1	
31	8292000080	SPANNER,COMBI,13X19	1	~M218333
31	8262000080	SPANNER,COMBI,17X19	1	M218334~



ITEM	PART NUMBER	DESCRIPTION	QTY	COMMENTS
1	95037503200	DECAL,PRO-FORCE A	1	
2	9063726420	DECAL,TBC-250	1	
4	92337400200	DECAL,LEVEL	1	
5	95131310200	DECAL,PRO-FORCE B	1	~T059506
5	95137503200	DECAL,PRO-FORCE B	1	T059507~
8	91106500200	DECAL,SRS	1	
10-1	9200650A20	DECAL,WARNING	1	N196701~
10-1	9200650A20	DECAL,WARNING	1	~Q260472
10	9193738F20	DECAL,CAUTION,A	1	T059507~
16	9193728620	DECAL,CAUTION	1	
17	9203246620	DECAL,CAUTION	1	
18	9233728620	DECAL,LEVEL	1	R136061~
20	93337301200	DECAL,SYMBOL	1	~T059506
26	9233738F20	DECAL,LEVEL	1	T059507~
27	91937701200	DECAL	1	~R136060



WARNING! Read the owners manual and follow all warnings and safety instructions. Failure to do so can result in serious injury to the operator and/or bystanders. Never attempt to mount a steel blade to a machine that is not specifically designed for that purpose. Never attempt to mount a steel blade without using all components of the blade attachment kit, including shoulder strap and barrier safety bar.



ITEM	PART NUMBER	DESCRIPTION	QTY	COMMENTS
1	30833410200	COVER,PROTECTION,B,8mm	1	8mm
1	3083786120	COVER,BOLT PROTECTOR,10mm	1	10mm
3	3113754720	CAP,CUTTER HOLDER,8mm	1	for use with 8x1.25 nut
3	3113815020	CAP,CUTTER HOLDER,10mm	1	for use with 10x1.25 nut
5	3123338620	BOLT,FLANGED,10x1.25,LH	1	10x1.25 bolt
6	3133754720	NUT,FIXING L.H. 8X1.25	1	8x1.25 nut
6	3133833220	NUT,FIXING L.H.,10X1.25	1	10x1.25 nut
8	3273718090	PIN,COTTER 2X20 (10 PACK)	1	
9	44437609200	SPACER,BRACKET	1	for use with barrier bar, 24mm shafts
11	44437609200	SPACER,BRACKET	2	
12	30060	KIT,BLADE GUARD	1	
13	4413738020	GUARD,SAFETY	1	
14	4423369921	BRACKET,SAFETY GUARD	1	
15	4453738020	HOLDER,GUIDE	1	
16	99481060254	SCREW,HEX HOLE 6X25	2	
17	5203339820	BAR,BARRIER 26mm	1	
18	746191	STRAP,SHOULDER,PSS-175	1	Includes mounting bracket/hardware