

Tanaka

Parts Catalog

■

Trimmer/Brushcutter

Model: TBC-2100/2110

TBC-2100 / 2110

OPTIONS AND ACCESSORIES

NYLON LINE



- 746156 .095, Box, 50 ft.
- 746157 .105, Box, 50 ft.
- 746160 .095, 1/2 lb. Box, 143 ft.
- 746161 .105, 1/2 lb. Box, 110 ft
- 746165 .095, 1 lb. Box, 285 ft.
- 746166 .105, 1 lb. Box, 235 ft.
- 746169 .095, 3 lb. spool, 855 ft.
- 746170 .105, 3 lb. spool, 705 ft.
- 746173 .095, 5 lb. spool, 1425 ft.
- 746174 .105, 5 lb. spool, 1175 ft.

BLADES



- 746101 Weed Blade, 9"X4T
 - 746103 Weed Blade, 9"X48T
 - **746104 Saw Blade, 9"X80T
 - 746192 Carbide Blade, 9"X36T
- For use on TBC-2110 **ONLY**.

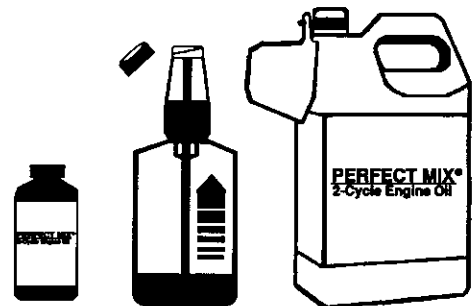
BLADE GUARD KIT

301447

(Required for safe use)

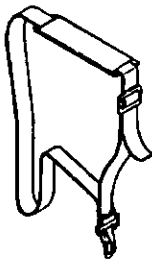
* Parts list

PERFECT MIX® 2-Cycle Engine Oil



- 700109 2.8 oz. Bottle, 1 Gallon Size (24*)
 - 700108 16 oz. Self-measuring Bottle (24*)
 - 700110 1 Gallon Jug Commercial Size (6*)
- * Case Quantity

SHOULDER STRAP



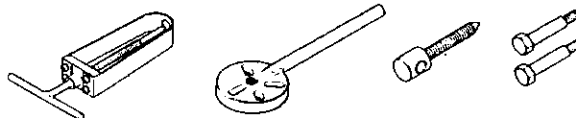
PSS-175

MANUALS / CATALOGS

- | | |
|---------------|----------------|
| 211478 | Owner's Manual |
| DPL-T2100-HST | Parts Catalog |

SPECIAL TOOLS

- | | | | |
|---------------|---------------------|--------|----------------------|
| 215432 | Pressure Test Tool | 111124 | T-27 Torx Drive 3.5" |
| 217720 | Torx Drive Set | 323330 | Ignition Tester |
| 222785 | T-25 Torx Drive 3.5 | 91424 | Tachometer |
| 009-29323-500 | Piston Pin Remover | | |



* Blade Guard Kit Part List

- | | | | |
|-----------|-----------------|--------|------------------------|
| 224177-01 | Shield, Blade | 218002 | Ring Ass'y, Harness |
| 218075 | Flange, Spindle | 217935 | Screw, TR 10-24x.5" |
| 216751 | Nut, Hex 10mm | 300541 | Handle Ass'y Barrier |
| 218159 | Pin, Cotter | 322139 | Grip, Handle |
| 224083 | Harness | ** | Kit includes saw blade |

FIGURE 1

ENGINE ASSEMBLY

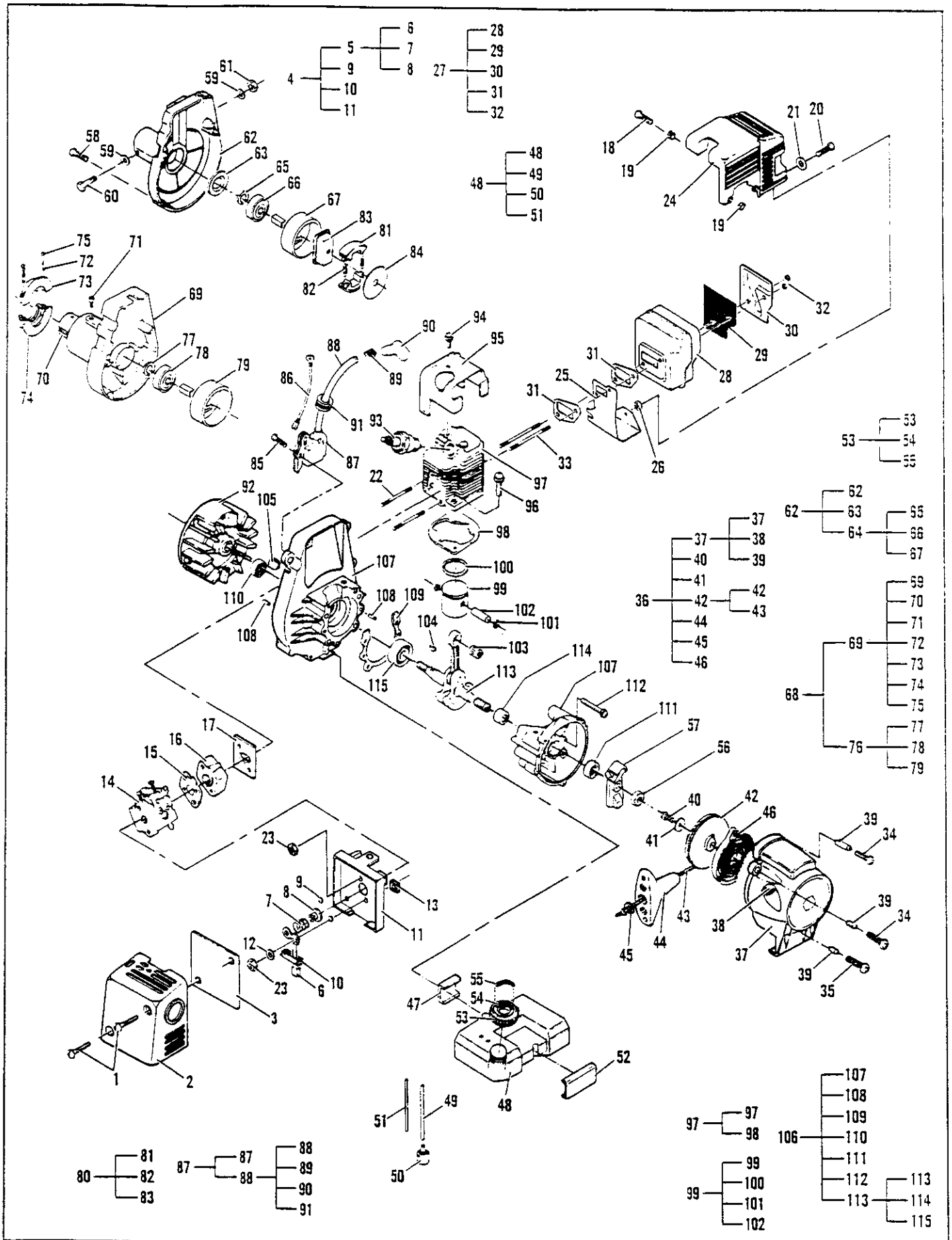


FIGURE 1

TBC-2100/2110 PARTS LISTING

REF.	PART NO.	PART DESCRIPTION	Q	C	S	SERIAL NO.	REMARKS
1	216027	SCREW, M5X28.5	2		C		
2	227694	COVER, AIR CLEANER	1		C		
3	227023	FILTER, AIR	1		C		
4	300069	CASE, ASS'Y	1		C		
5	223730	KIT, CHOKE ASS'Y	1		D		
6	---	* SHUTTER, CHOKE LEVER	1				
7	219016	SPRING, SHUTTER	1		C		
8	---	* PLATE, CHOKE SHUTTER	1				
9	227022	BUSHING	2		C		
10	215992	GROMMET	1		D		
11	---	* AIR BOX	1				
12	216591	WASHER	1		C		
13	229524	NUT	2		C		
14	224142-03	CARBURETOR, ASS'Y	1		C		SEE FIG. 3
15	224148	GASKET, CARBURETOR	1		C		
16	223984	INSULATOR, CARB.	1		D		
17	224315	GASKET, SHIELD INSULATOR	1		C		
18	219508	SCREW, MUFFLER SHIELD	2		C		
19	229121	BUSHING	4		C		
20	215874	SCREW, M4X9.5	1		D		
21	68497	WASHER	2		C		
22	300139	STUD, INTAKE	2		C		
23	216585	NUT, LOCK	2		C		
24	227695	SHIELD, MUFFLER	1		C		
25	224266	SHIELD, MUFFLER, HEAT	1		C		
26	224350	NUT	1		C		
27	300632	MUFFLER, COMP.	1		C		
28	---	* BODY, MUFFLER	1				
29	322018	SCREEN, SPARK ARRESTOR	1		C		
30	322017	PLATE, DEFLECTOR	1		C		
31	323829	GASKET, MUFFLER	2		C		
32	235642	NUT	2		C		
33	222480	STUD, MUFFLER	2		D		
34	216022	SCREW, M4X21.4	2		C		
35	217669	SCREW, M4X25	1		C		
36	301335	STARTER, ASS'Y	1		C		
37	301356	HOUSING, STARTER	1		C		
38	218932	GUIDE, ROPE	1		C		
39	219585	SPACER, STARTER HOUSING	3		C		
40	222800	SCREW, M4X9.5	1		D		
41	216950	WASHER, FLAT M4	1		C		
42	301252	DRUM, ROPE, ASS'Y	1		C		

* Indicates the part is included in a kit or assembly and is not available individually. Q=Quan. used C=Interchangeability S=Stocking code: A=Fast moving B=Med. fast move C=Med. move D=Slow move E=N.L.A. F=Superceded or replaced by a new part.

FIGURE 1 cont.

TBC-2100/2110 PARTS LISTING

REF.	PART NO.	PART DESCRIPTION	Q	C	S	SERIAL NO.	REMARKS
43	216093	ROPE, STARTER	1		D		
44	216792	HANDLE, STARTER	1		D		
45	218941	WASHER, NYLON	1		D		
46	300474	SPRING, STARTER	1		C		
47	217382	CUSHION, TANK	1		C		
48	222239	TANK, FUEL, ASS'Y	1		C		
49	217264	HOSE, FUEL	1		C		
50	216985	PICKUP, FUEL	1		C		
51	222238	HOSE, FUEL RETURN	1		C		
52	217390	CUSHION, TANK	1		C		
53	301376	KIT, FUEL CAP/DECAL	1		A		
54	211242	DECAL, "OPEN SLOWLY"	1		D		
55	322250	DECAL, FUEL CAP	1		D		
56	216583	NUT, HEX	1		C		
57	225037	PAWL, STARTER, ASS'Y	1		C		
58	213177	SCREW, TORX	4		D		
59	216591	WASHER	2		C		
60	217158	SCREW	1		C		
61	217159	NUT, HEX	1		C		
62	222454	HOUSING, FAN	1		C		TBC-2100 ONLY
63	215534	PLATE, THRUST	1		C		
64	218065	DRUM, CLUTCH ASS'Y	1		C		
65	213186	RING, RETAINING	1		C		
66	213187	BEARING, BALL	1		D		
67	----	* DRUM, CLUTCH	1				
68	301363	HOUSING, FAN ASS'Y	1		C		TBC-2110 ONLY
69	323140	HOUSING, AV, ASS'Y	1		C		
70	----	* MOUNT, ANTI/VIB	1				
71	236381	SCREW	1		C		
72	236529	WASHER	2		C		
73	323135	CLAMP, UPPER	1		C		
74	323136	CLAMP, LOWER	1		C		
75	235804	SCREW	2		C		
76	218065	DRUM, CLUTCH ASS'Y	1		C		
77	213186	RING, RETAINING	1		C		
78	213187	BEARING, BALL	1		D		
79	----	* DRUM, CLUTCH	1				
80	217554	CLUTCH, ASS'Y	1		C		
81	----	* SHOE, CLUTCH	2				
82	223770	SPRING, CLUTCH	2		C		
83	215536	ROTOR, CLUTCH	1		D		
84	215539	PLATE, SIDE	1		C		

* Indicates the part is included in a kit or assembly and is not available individually. Q=Quan. used C=Interchangeability S=Stocking code: A=Fast moving B=Med. fast move C=Med. move D=Slow move E=N.L.A. F=Superseded or replaced by a new part.

REF.	PART NO.	PART DESCRIPTION	Q	C	S	SERIAL NO.	REMARKS
85	216022	SCREW, M4X21.4	2		C		
86	219383	WIRE, SWITCH ASS'Y	1		C		
87	219848	IGNITION, CREAM, ASS'Y	1		C		
88	223884	KIT, SPARK PLUG WIRE	1		C		
89	102556	CONNECTOR	1		C		
90	95266	BOOT, PLUG	1		C		
91	215533-01	GROMMET, H/T LEAD	1		C		
92	222308	FLYWHEEL	1		C		
93	322189	PLUG, SPARK, DJ7Y	1		C		
94	213178	SCREW, M5X8.5	1		D		
95	215540-01	COVER, CYLINDER	1		C		
96	217320	SCREW, M6X18	2		D		
97	224448	KIT, CYLINDER/GASKET	1		D		
98	223925	GASKET, CYLINDER	1		C		
99	301443	KIT, PISTON	1		C		
100	223455	RING, PISTON	1		C		
101	111026	RING, STOP	2		D		
102	218275	PIN, WRIST	1		D		
103	110984	BEARING, NEEDLE	1		D		
104	102164	KEY, FLYWHEEL	1		C		
105	215541	GROMMET	1		D		
106	301203	KIT, C'CASE/C'SHAFT/C'ROD	1		D		
107	301153	CRANKCASE, ASS'Y	1		C		
108	213191	PIN	4		D		
109	215545	GASKET, CRANKCASE	1		D		
110	216500	SEAL	1		C		
111	83859	SEAL, OIL	1		C		
112	216027	SCREW, M5X28.5	4		C		
113	301273	CRANKSHAFT, ASS'Y	1		C		
114	213282	BEARING, ROLLER	1		C		
115	216143	BEARING, BALL	1		C		

* Indicates the part is included in a kit or assembly and is not available individually. Q=Quan. used C=Interchangeability S=Stocking code: A=Fast moving B=Med. fast move C=Med. move D=Slow move E=N.L.A. F=Superseded or replaced by a new part.

FIGURE 2

SHAFT/SHIELD/CUTTER ASSEMBLY

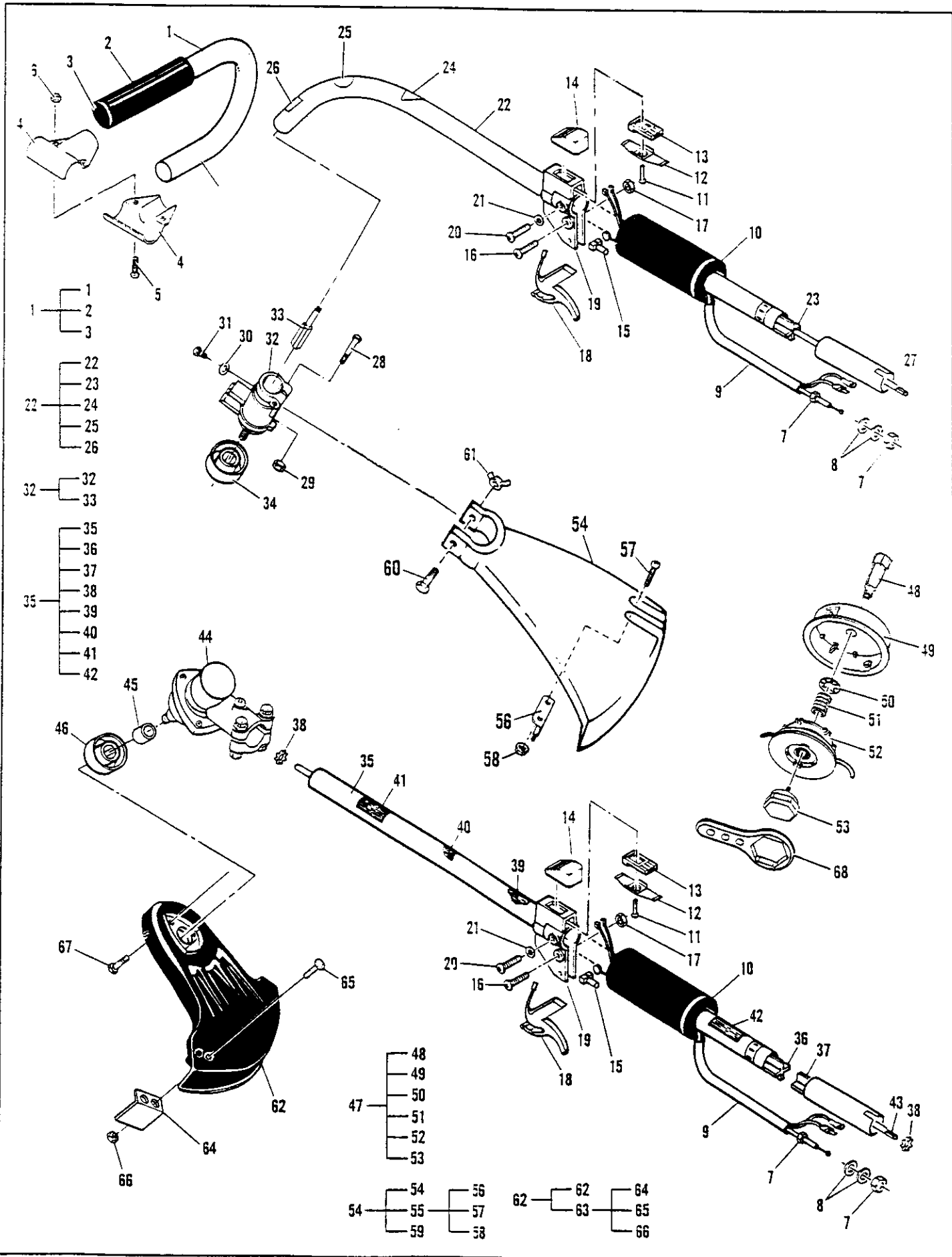


FIGURE 2

TBC-2100/2110 PARTS LISTING

REF.	PART NO.	PART DESCRIPTION	Q	C	S	SERIAL NO.	REMARKS
1	300540	HANDLE, J/GRIP ASS'Y	1		C		
2	322139	GRIP	1		C		
3	218328	PLUG, TUBING	1		C		
4	215337	CLAMP, HANDLE (1)	2		C		TBC-2100
4	217292	CLAMP, HANDLE (2)	2		C		TBC-2110
5	217935	SCREW	2		C		
6	218315	NUT	2		C		
7	217403	NUT	2		C		
8	216596	WASHER	2		C		
9	215306	HARNESS, WIRE/THROTTLE (1)	1		C		TBC-2100
9	224150	HARNESS, WIRE/THROTTLE (2)	1		C		TBC-2110
10	322141	GRIP (1)	1		C		TBC-2100
10	322137	GRIP, 1" (2)	1		C		TBC-2110
11	110706	SCREW	1		C		
12	215320	CONTACT, SWITCH	1		C		
13	215319	BASE, STOP SWITCH	1		C		
14	68846	BUTTON, STOP SWITCH	1		C		
15	215323	GUIDE	1		C		
16	216027	SCREW, M5X28.5	1		C		
17	217159	NUT, HEX	1		C		
18	300361	LEVER, THROTTLE	1		C		
19	222794	HOUSING, TRIGGER (1)	1		C		TBC-2100
19	222795	HOUSING, TRIGGER (2)	1		C		TBC-2110
20	223200	SCREW	1		C		
21	93469	WASHER, STARTER PAWL	1		C		
22	300421	HOUSING, ASS'Y (1)	1		C		TBC-2100
23	217367	SLEEVE	1		C		
24	223407	DECAL, EYE/EAR COVER	1		D		
25	211214	DECAL, WARNING	1		D		
26	219030	DECAL, WARNING S/T SHAFT	1		D		
27	322023	SHAFT, FLEX (1)	1		C		TBC-2100
28	217937	SCREW	1		C		
29	218315	NUT	1		C		
30	217672	WASHER, FLAT, M4	1		D		
31	215874	SCREW, M4X9.5	1		D		
32	219583	HOUSING, SPINDLE ASS'Y	1		C		
33	217477	COUPLING	1		D		
34	218094	COLLAR	1		C		
35	300419	HOUSING, OUTER ASS'Y (2)	1		C		TBC-2110
36	322283	SLEEVE, MACHINED/LONG	1		C		
37	322355	SLEEVE, SHORT	1		C		
38	224092	CLIP, RETAINER	2		C		

(1) Indicates TBC-2100 (2) indicates TBC-2110 Q=Quan. used C=Interchangeability S=Stocking code: A=Fast moving B=Med. fast move C=Med. move D=Slow move E=N.L.A. F=Superceded or replaced by a new part.

FIGURE 2 cont.

TBC-2100/2110 PARTS LISTING

REF.	PART NO.	PART DESCRIPTION	Q	C	S	SERIAL NO.	REMARKS
39	223407	DECAL, EYE/EAR COVER	1		D		
40	211214	DECAL, WARNING	1		D		
41	219030	DECAL, WARNING S/T SHAFT	1		D		
42	211215	DECAL, WARNING	1		D		
43	301026	DRIVE, ASS'Y (2)	1		C		TBC-2110
44	224181-01	HOUSING, GEAR ASS'Y (2)	1		C		TBC-2110
45	322009-01	SLEEVE, SPLINED (2)	1		C		TBC-2110
46	225053-01	COLLAR, 1" (2)	1		C		TBC-2110
47	3010392	HEAD ASS'Y, .080 (1)	1		C		TBC-2100
48	225193	STUD, RIGHT (1)	1		C		TBC-2100
48	322106	STUD, LEFT (2)	1		C		TBC-2110
49	300115	HOUSING, EYELET ASS'Y (1)	1		C		TBC-2100
49	300091	HOUSING, EYELET ASS'Y (2)	1		C		TBC-2110
50	111073	RING, RETAINER	1		C		
51	322626	SPRING, CUTTING HEAD	1		C		
52	301391	KIT, SPOOL W/LINE (1)	1		C		TBC-2100
52	300690	KIT, SPOOL W/LINE (2)	1		C		TBC-2110
53	300736	KIT, KNOB ASS'Y (1)	1		C		TBC-2100
53	300737	KIT, KNOB ASS'Y (2)	1		C		TBC-2110
54	301082	KIT, GRASS SHIELD (1)	1		C		TBC-2100
55	300626	KIT, KNIFE (1)	1		C		TBC-2100
56	224497-01	CUTTER (1)	1		C		TBC-2100
57	217935	SCREW	2		C		
58	216682	NUT	2		C		
60	216595	SCREW	1		C		
61	111102	NUT, WING	1		C		
62	301393	SHIELD, ASS'Y (2)	1		C		TBC-2110
63	300626	KIT, KNIFE (2)	1		C		TBC-2110
64	224497-01	CUTTER (2)	1		C		TBC-2110
65	217935	SCREW	2		C		
66	216682	NUT	2		C		
67	217935	SCREW	3		C		
68	322344	WRENCH, CUTTING HEAD	1		C		

(1) Indicates TBC-2100 (2) indicates TBC-2110 Q=Quan. used C=Interchangeability S=Stocking code: A=Fast moving B=Med. fast move C=Med. move D=Slow move E=N.L.A. F=Superseded or replaced by a new part.

FIGURE 3

CARBURETOR ASSEMBLY

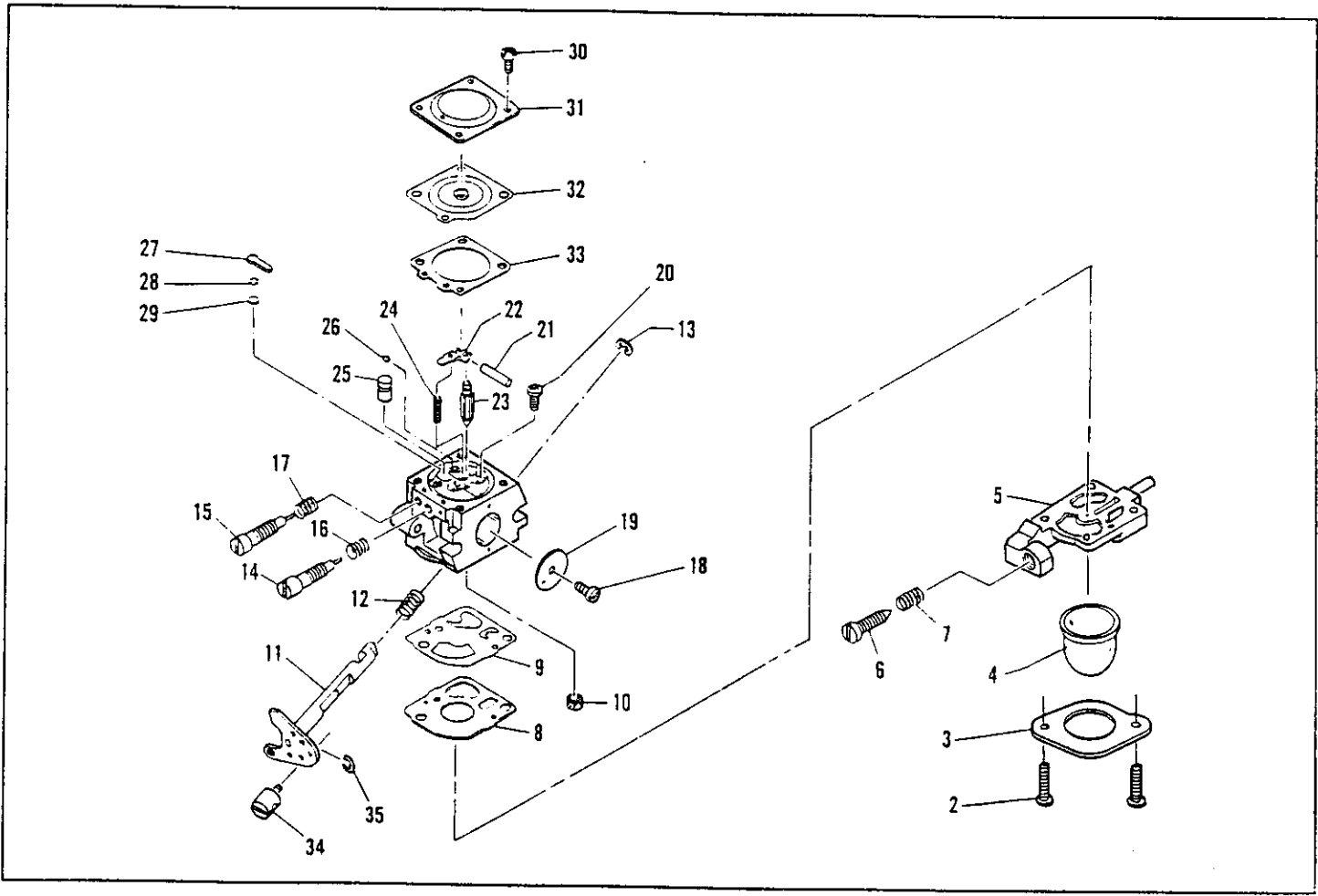


FIGURE 3

TBC-2100/2110 PARTS LISTING

REF.	PART NO.	PART DESCRIPTION	Q	C	S	SERIAL NO.	REMARKS
1	224142-03	CARBURETOR, ASS'Y	1		C		
2	----	SCREW, PUMP COVER	2				
3	----	COVER, PRIMER PUMP	1				
4	223077	BULB, PRIMER	1		C		(1) Carb. Repair Kit
5	223913	COVER, FUEL PUMP, ASS'Y	1		C		224462
6	----	SCREW, IDLE ADJ.	1				(2) Carb. Gasket/Diaphragm Kit
7	----	SPRING, IDLE SCREW	1				223833
8	----	(1)(2) GASKET, FUEL PUMP	1				
9	----	(1)(2) DIAPHRAGM, FUEL PUMP	1				(3) Swivel-Carb Kit
10	----	(1) SCREEN, FUEL PUMP INLET	1				224466
11	----	SHAFT ASS'Y, THROTTLE	1				
12	----	(1) SPRING, THROTTLE RETURN	1				
13	----	RING, SHAFT RETAINER	1				
14	----	(1) NEEDLE, IDLE	1				
15	----	(1) NEEDLE, HIGH SPEED	1				
16	----	(1) SPRING, IDLE NEEDLE	1				
17	----	(1) SPRING, HI-SPEED NEEDLE	1				
18	----	(1) SCREW, VALVE	1				
19	----	VALVE, THROTTLE	1				
20	----	(1) SCREW, METERING LEV. PIN	1				
21	----	(1) PIN, METERING LEVER	1				
22	----	(1) LEVER, METERING	1				
23	----	(1) VALVE, INLET NEEDLE	1				
24	----	(1) SPRING, METERING LEVER	1				
25	----	SEAT ASSEMBLY, CHECK VALVE	1				
26	----	(1) PLUG, WELCH 5/16	1				
27	----	(1) PLUG, WELCH 1/4	1				
28	----	(1) RING, SCREEN RETAINER	1				
29	----	SCREEN, CHECK VALVE	1				
30	----	(1) SCREW, METERING COVER	4				
31	----	COVER, METERING COVER	1				
32	----	(1)(2) DIAPHRAGM ASS'Y, METER	1				
33	----	(1)(2) GASKET METERING DIAP.	1				
34	----	(3) SWIVEL	1				
35	----	(3) CLIP	1				

(1) (2) Indicates the part is included in a kit or assembly and is not available individually. Q=Quan. used
 C=Interchangeability S=Stocking code: A=Fast moving B=Med. fast move C=Med. move D=slow move E=N.L.A.
 F=Superseded or replaced by a new part.