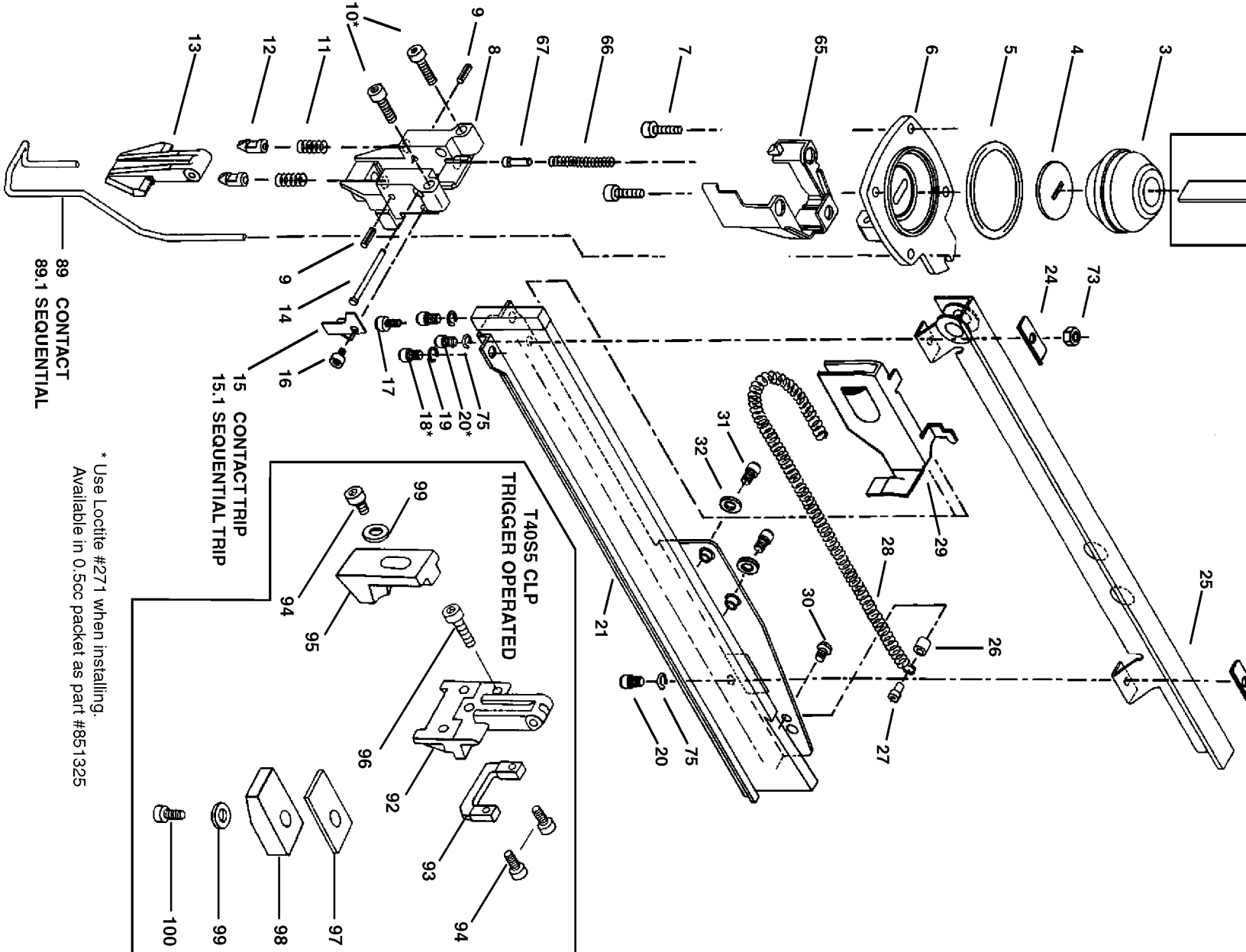
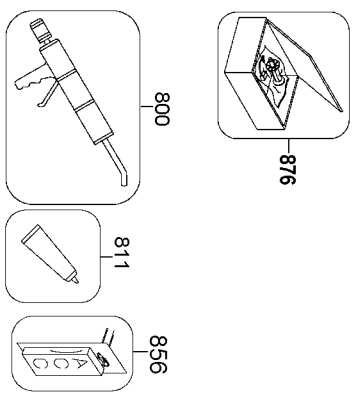
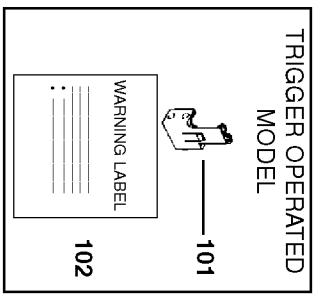
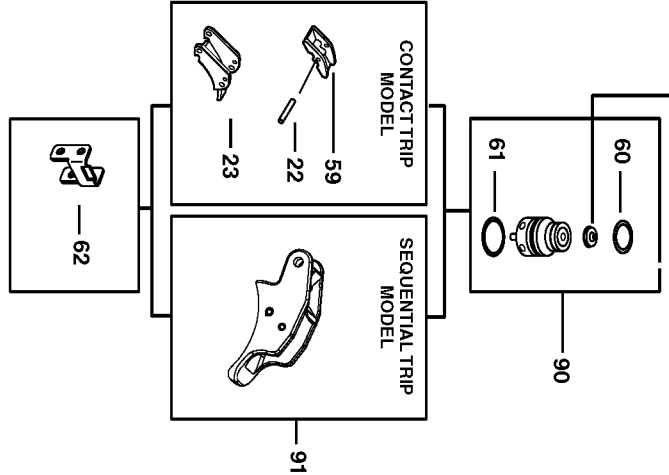


ORIFICE CAP AND INSTRUCTIONS ARE SUPPLIED WITH VALVE



15 CONTACT TRIP
15.1 SEQUENTIAL TRIP

T40S5 CLP
TRIGGER OPERATED

* Use Loctite #271 when installing.
Available in 0.5cc packet as part #851325

Parts List for T40S5 Type 0

Item Number	Part Number	Description	Qty Required
1	851547	O-RING-1.327X.138	1
2	000000-00	No Longer Available	1
3	N50085	BUMPER	1
4	000000-00	No Longer Available	1
5	851483-S	O-RING	1
6	000000-00	No Longer Available	1
7	MSC5080-20	SCREW-SOC HD. CAP M5	6
8	000000-00	No Longer Available	1
9	9042	PIN	2
10	MSC5080-25	SCREW-SHCS-M5X0.80X2	2
11	000000-00	No Longer Available	2
12	000000-00	No Longer Available	2
13	000000-00	No Longer Available	1
14	000000-00	No Longer Available	1
15	000000-00	No Longer Available	1
15	T40149	STOP	1
16	MSC4070-5	SCREW-SHCS-M4X0.70X5	1
17	MSC4070-10	SCREW-SHCS-M4X0.70X1	1
18	MSC5080-10	SCREW-SHCS-M5X0.80X1	2
19	MLW5	WASHER-HSLW M5	2
20	MSC4070-6	SCREW-SHCS-M4X0.70X6	1
21	000000-00	No Longer Available	1
22	MPD016012	PIN-DOWEL-.062X.459	1
23	100607	ASSEMBLY-TRIGGER	1
24	000000-00	No Longer Available	2
25	000000-00	No Longer Available	1
26	000000-00	No Longer Available	1

COPYRIGHT© 2005. All Rights Reserved.

Parts list, pricing, and availability subject to change. Please visit www.dewaltservicenetwork.com for current parts information.

Parts List for T40S5 Type 0

Item Number	Part Number	Description	Qty Required
27	000000-00	No Longer Available	1
28	000000-00	No Longer Available	1
29	000000-00	No Longer Available	1
30	MMP3050-12	SCREW-PANHDS-M3X0.50	1
31	MSC5080-12	SCREW-SHCS-M5X0.8X12	1
32	T50118	WASHER-PLAIN	2
33	N70151	CYLINDER SEAL	1
34	000000-00	No Longer Available	1
35	N50034	CHECK SEAL	1
36	850605	O-RING-1.925X.103-NB	1
37	850683	O-RING-2.425X.103	1
38	N50015-S	BOSTITCH RING	1
39	000000-00	No Longer Available	1
40	112696	LABEL-N59FN BOSTITCH	1
41	159912	LABEL-WARNING-COIL N	1
42	102549	PIN-SPECIAL SPIROL M	3
43	MPP030020	PIN-SPIRAL M3X20MM	1
44	850235	O-RING-1.487X.103	1
45	103651	CAP-END	1
46	MSF6100-20	SCREW- SFHCS M6 X 1.	1
47	T50104	WASHER-SPECIAL	1
48	000000-00	No Longer Available	1
50	000000-00	No Longer Available	1
51	N50013	SEAL- CYLINDER CAP	1
53	854015	COMPRESSION SPRING	1
54	MRG039231	O-RING-1.543X.125	1
55	T50003	HEAD VALVE	1

COPYRIGHT© 2005. All Rights Reserved.

Parts list, pricing, and availability subject to change. Please visit www.dewaltservicenet.com for current parts information.

Parts List for T40S5 Type 0

Item Number	Part Number	Description	Qty Required
56	RG183109	O-RING-1.831X.098	1
59	T55092	ROCKER-TRIGGER	1
60	86459	O-RING	1
61	851554	O-RING-.703X.103	1
62	000000-00	No Longer Available	1
65	000000-00	No Longer Available	1
66	000000-00	No Longer Available	1
67	000000-00	No Longer Available	1
73	MHE4070-100	ELASTIC STOP NUT-M4	2
75	LW8	WASHER-#8 LOCK	2
76	000000-00	No Longer Available	1
77	000000-00	No Longer Available	1
89	000000-00	No Longer Available	1
89	000000-00	No Longer Available	1
90	STV2	KIT-TRIGGER	1
91	SEQ6	KIT-SEQUENTIAL	1
92	T40247	ADAPTER-DOOR-NOSE	1
93	000000-00	No Longer Available	1
94	MSC4070-12	SCREW-SHCS-M4X0.70X1	3
95	000000-00	No Longer Available	1
96	MSC4070-10	SCREW-SHCS-M4X0.70X1	1
97	000000-00	No Longer Available	1
98	000000-00	No Longer Available	1
99	MPW4	WASHER-PWN-M4	2
100	MSC4070-16	SCREW-SHCS-M4X0.7X16	1
101	000000-00	No Longer Available	1
102	159920	LABEL-WARNING-MIII	1

COPYRIGHT© 2005. All Rights Reserved.

Parts list, pricing, and availability subject to change. Please visit www.dewaltservicenet.com for current parts information.

Parts List for T40S5 Type 0

Item Number	Part Number	Description	Qty Required
103	100298	PIN-SPIRAL M3X30	1
800	100653	LUBE (2CC)	1
800	100679	LUBE (1LB.CAN)	1
811	851325	LOCTITE	1
876	000000-00	No Longer Available	1
876	ORK1	REPAIR KIT	1
876	000000-00	No Longer Available	1
876	RBK1	T40/T50/N50-N60 REB	1
876	RBK2	T40/T50/N50-N60 REB	1

COPYRIGHT© 2005. All Rights Reserved.

Parts list, pricing, and availability subject to change. Please visit www.dewaltservicen.com for current parts information.