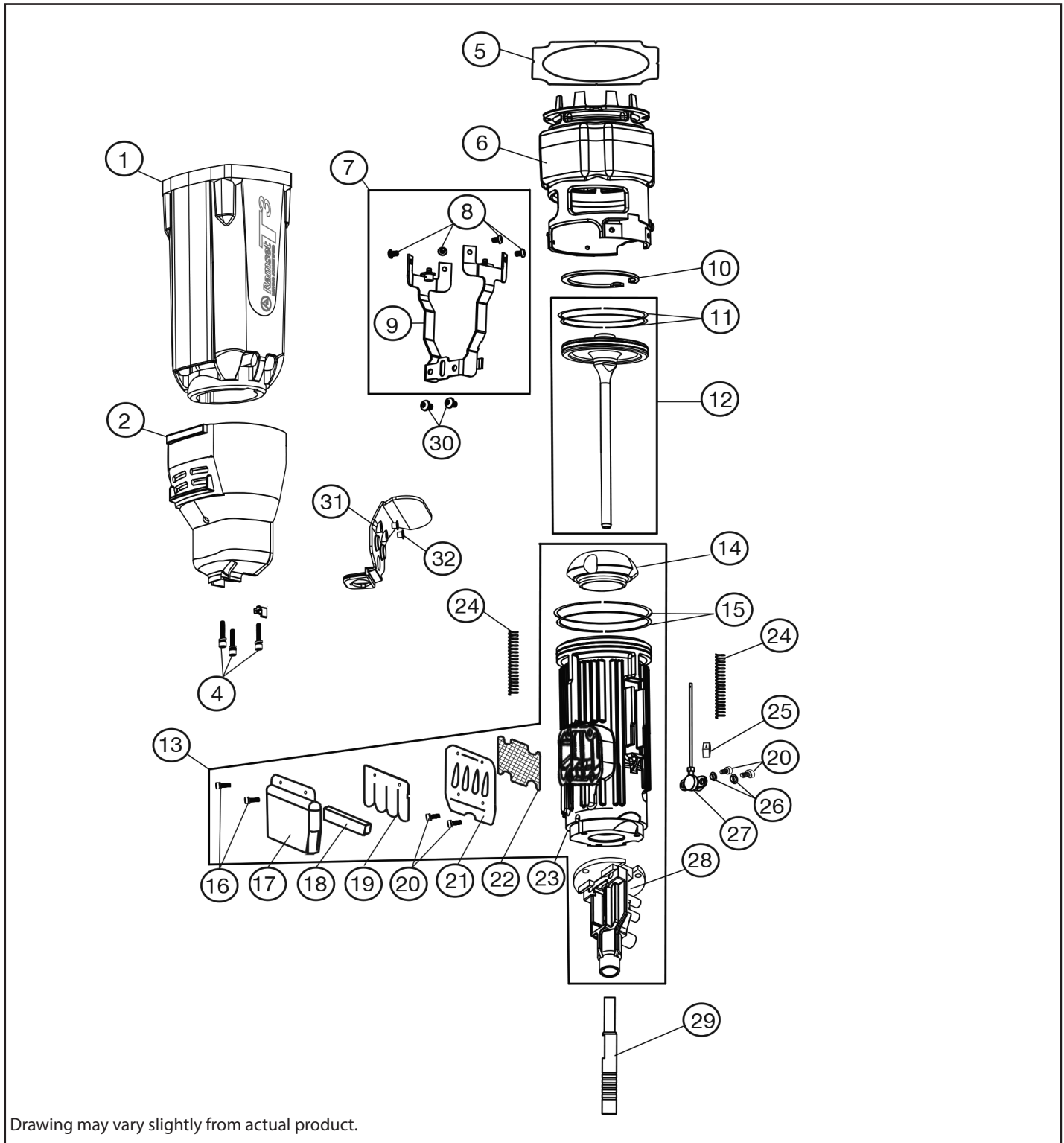


**T3SS NOSE & HOUSING  
ASSEMBLY SCHEMATIC**



**ORDER BY FAX OR EMAIL**

f: 800-529-8680 e: [spcustomer.service@itwserviceparts.com](mailto:spcustomer.service@itwserviceparts.com)

## T3SS NOSE & HOUSING ASSEMBLY PARTS LIST

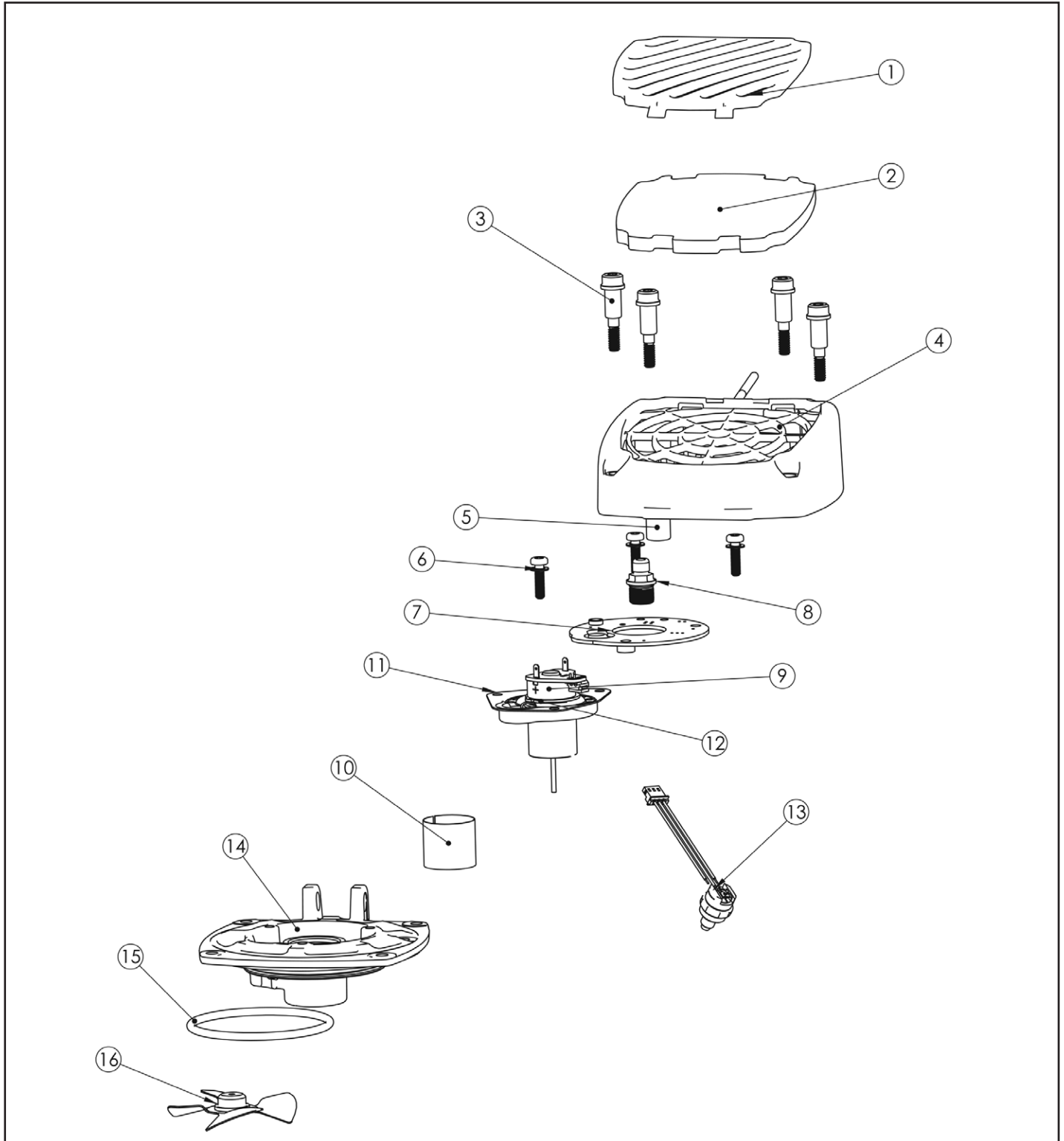
KEY	PART NO.	DESCRIPTION
1	B0001	HOUSING, T3
2	B0096	SHROUD, T3
4	B0238	SCREW, HOUSING (3 Required – Sold Individually) (For tools built September 2010, S/N 141009001 and after with Flanged Nose)
4A	B0059A	HOUSING SCREWS (PKG QTY 3) (For tools built August 2010, S/N 1410080120 and before with Pinned Nose)
5	B0097	AIR DAM
6	B0178	COMBUSTION CHAMBER, T3
7	B0217A	CAGE ASSEMBLY WITH SCREWS, T3
8	B0057	SCREW, CAGE TO COMBUSTION CHAMBER (4 REQUIRED - SOLD INDIVIDUALLY) M4-6
9	B0217	CAGE ASSEMBLY, T3
10	B0068	PISTON STOP RING
11	B0034A	PISTON RINGS (PKG QTY 2)
12	B0031A	PISTON ASSEMBLY (W/RINGS)
13	B0052T3SS	SLEEVE/NOSE ASSEMBLY, T3SS (Includes Sleeve, Flanged Nose Piece, Bumper, and Muffler Assy.)
14	B0053	BUMPER
15	100154A	STEEL RINGS, SLEEVE (PKG QTY 2) (For tools after February 2011, S/N: 1411020066)
15A	B0042	SLEEVE O-RING (For tools before February 2011, S/N: 1411020065)
16	B0073	M4-10 EXHAUST SCREW
17	404423	MUFFLER COVER
18	404422	MUFFLER
19	404424	EXHAUST REED
20	B0072	M4-8 EXHAUST/ FUEL CONNECTOR SCREW (EACH)
21	404425	REED PLATE
22	404426	EXHAUST BAFFLE
23	B0052	SLEEVE, MACHINED
24	B0037A	CAGE SPRINGS (PKG QTY 2)
25	B0048	INJECTION TUBE BUMPER
26	B0023	FUEL SLEEVE CONNECTOR BUSHING
27	B0054A	FUEL INJECTION TUBE ASSEMBLY
28	100183	PIN GUIDE SUPPORT
29	E150100	PIN GUIDE
29A	M150200	MAGNETIC WORK CONTACT ELEMENT (NOT SHOWN)
30	B0226	ACTUATOR PLATE SCREW
31	100008A	AUXILIARY SHROUD, T3SS
32	B0172	AUXILIARY SHROUD SCREW, 6-32

### FOR T3IF TOOL

12	B0031IF-6A	PISTON ASSEMBLY W/RINGS, T3IF-6 TOOL
29	B0111IF-6	PIN GUIDE, T3IF-6 TOOL

## ORDER BY FAX OR EMAIL

f: 800-529-8680 e: [spcustomer.service@itwserviceparts.com](mailto:spcustomer.service@itwserviceparts.com)



**ORDER BY FAX OR EMAIL**

f: 800-529-8680 e: [spcustomer.service@itwserviceparts.com](mailto:spcustomer.service@itwserviceparts.com)

<b>KEY</b>	<b>PART NO.</b>	<b>DESCRIPTION</b>
1	B0017	GRILL CAP, T3
2	B0095	FOAM FILTER, T3
3	901065A	CAP SCREWS (PKG QTY OF 4)
4	B0016	CAP (GRILL & FILTER NOT INCLUDED)
5	900478	SPARK PLUG WIRE & BOOT
6	B0061A	SCREWS, PC BOARD (For T3MAG tools before July 2009, S/N: 1509070048 and w/ O-ring head) (For T3SS tools before July 2009, S/N: 1409070110 and w/ O-ring head)
6	100037	SELF THREADING SCREW, LONG, PC BOARD (1 Required – For tools built after July 2009 or with Steel Ring Head)
6	100009	SELF THREADING SCREW, SHORT, PC BOARD (2 Required – For tools built after July 2009 or with Steel Ring Head)
7	B0040	PC BOARD
8	7505164	SPARK PLUG ASSEMBLY
9	900525A	FAN MOTOR KIT (Includes: Fan, Motor Sleeve, Motor Mount, Retaining Ring & Fan Blade)
9A	905522	FAN MOTOR AND MOUNT ASSM, T3IF
10	401356	MOTOR SLEEVE
11	900470	MOTOR MOUNT
12	401355	MOTOR RETAINING SNAP RING
13	404601	HEAD SWITCH
14	B0078	CYLINDER HEAD (This replacement part uses Steel Rings)
15	403992	O-RING, CYLINDER HEAD (for tools using O-ring Cylinder Head)
15	900935A	STEEL RINGS, CYLINDER HEAD (PKG QTY OF 2) (For tools built after March 2011 and/or using Steel Ring Cylinder Head)
16	403167	FAN BLADE

**ORDER BY FAX OR EMAIL**

**f: 800-529-8680 e: [spcustomer.service@itwserviceparts.com](mailto:spcustomer.service@itwserviceparts.com)**





<b>KEY</b>	<b>PART NO.</b>	<b>DESCRIPTION</b>
1	333380	KNOB ASSEMBLY, T3SS
1A	B0227A	T3MAG EASY RELEASE KNOB KIT INCLUDES: KNOB CAP, KNOB BASE, KNOB SHAFT HARDWARE)
2	404619	INSULATOR (PLACED UNDER TRIGGER SWITCH)
3	404490	TRIGGER SWITCH
4	7405091	SCREWS #2 – 5/8 (PKG OF 2), TRIGGER SWITCH
5	B0134	SPARK UNIT – MEFI, T3
6	B0093	EFI JUNCTION BOARD
7	B0006A	TRIGGER ASSEMBLY
8	B0050A	FUEL CONNECTOR ASSEMBLY
9	B0160	FUEL VALVE
10	B0100A	HANDLE SCREWS (PKG. OF 5)
11	B0176	LEFT & RIGHT SIDE HANDLE ASSEMBLY
12	B0144	REAR FOOT ASSEMBLY (T3SS ONLY)
13	B0018	FUEL SPACER PLATE
14	B0090A	FUEL CELL EJECT BUTTON & LATCH KIT
15	B0011	BATTERY TERMINAL ASSEMBLY
16	B0210A	BELT HOOK KIT
18	B0160A	FUEL VALVE & SPACER PLATE ASSEMBLY
—	B0029	HANDLE TO HOUSING BUSHING
—	B0030	HEAD TO HANDLE BUSHING
—	B0058	BUSHING SCREW, M5x10
—	B0055	RUBBER SPACER, FUEL CONNECTOR
—	7505021	DANGER LABEL
—	7505025	WARNING LABEL

**ORDER BY FAX OR EMAIL**

**f: 800-529-8680 e: [spcustomer.service@itwserviceparts.com](mailto:spcustomer.service@itwserviceparts.com)**