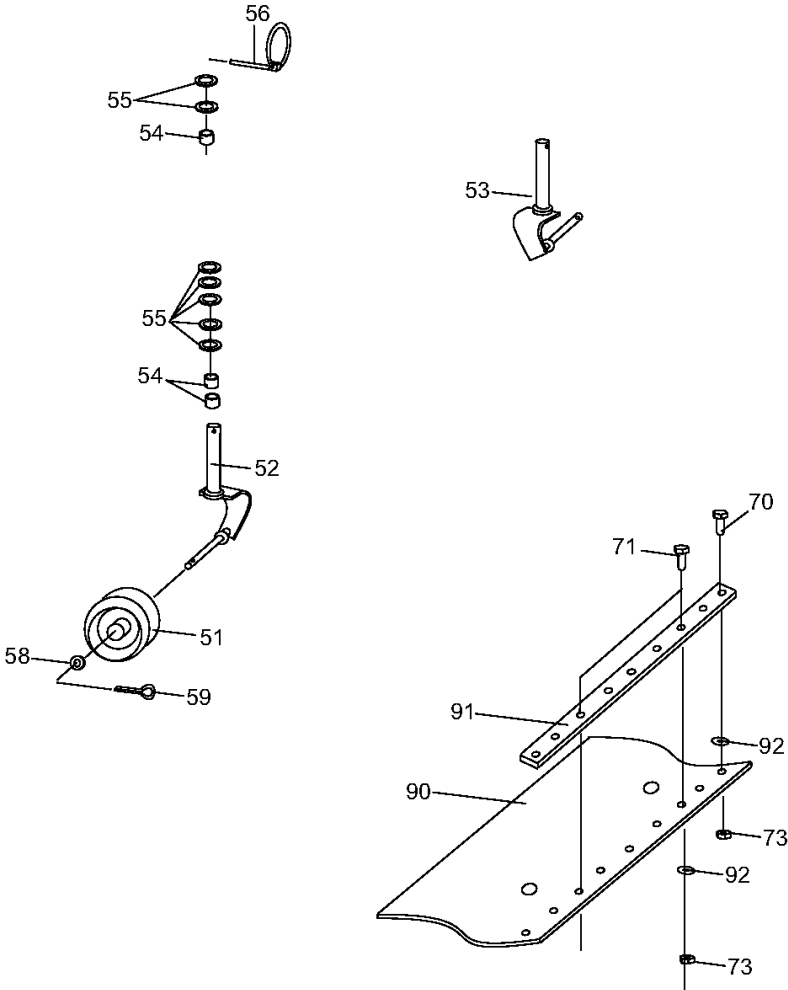


535 41 50-96
T-60344

FLAIL BLADE

FLAIL MOWER T-60365, 966416101, 2012

Ref	Part No	Description	Remark	QTY KIT
1	535 41 50-63	BLADE		112
2	531 02 11-99	SCREW		56
3	531 02 12-19	NUT		56

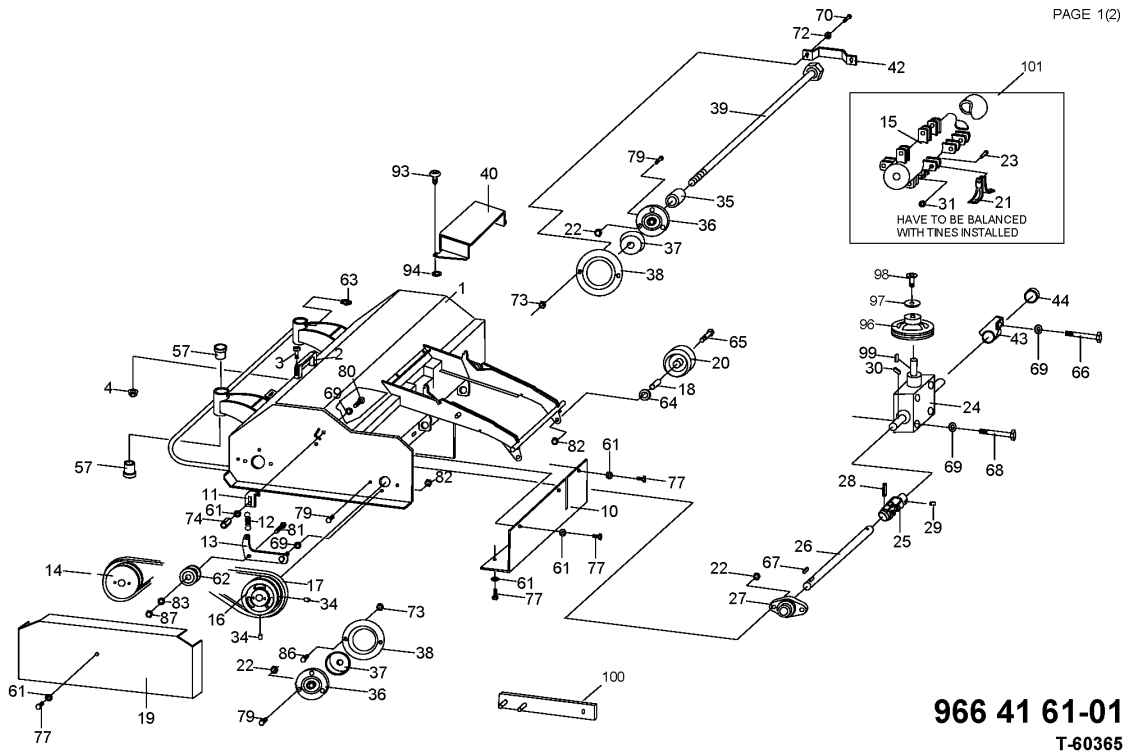


966 41 61-01
T-60365

PRODUCT COMPLETE

FLAIL MOWER T-60365, 966416101, 2012

Ref	Part No	Description	Remark	QTY KIT
51	506 96 30-01	WHEEL ASSY		2
52	576 49 01-01	WELDMENT		1
53	576 49 02-01	WELDMENT		1
54	576 49 14-01	COLLAR		6
55	531 00 52-25	WASHER		14
56	576 49 15-01	PIN		2
58	531 02 12-24	WASHER		2
59	535 41 50-83	SPLIT PIN		2
70	535 41 50-36	SCREW		9
71	576 49 18-01	SCREW		2
73	531 02 11-98	NUT		13
90	576 49 21-01	RUBBER		1
91	576 49 22-01	REINFORCEMENT		1
92	531 02 11-97	WASHER		9



PRODUCT COMPLETE

FLAIL MOWER T-60365, 966416101, 2012

Ref	Part No	Description	Remark	QTY KIT
1	576 48 85-01	FRAME		1
2	576 90 76-01	GRIP		1
3	576 91 95-01	SOCKET		2
4	576 91 96-01	NUT LOCKING		2
10	576 48 86-01	GUARD		1
11	576 48 87-01	WELDMENT		1
12	535 41 50-57	SPRING		1
13	576 48 88-01	ARM		1
14	576 48 89-01	PULLEY		1
15	576 48 90-01	SHAFT		1
16	535 41 50-61	PULLEY		1
17	575 87 97-01	BELT		1
18	576 48 92-01	COLLAR		2
19	576 48 93-01	BELT GUARD		1
20	576 48 94-01	SUPPORT WHEEL		2
21	535 41 50-63	BLADE		104
22	531 02 12-19	NUT		26
23	531 02 11-99	SCREW		52
24	535 46 66-10	GEAR BOX		1
25	535 41 50-25	LINK		1
26	576 48 95-01	DRIVE SHAFT		1
27	531 00 51-81	BEARING		1
28	531 02 11-70	PIN RETAINING SCREW		1
29	535 41 50-29	SCREW		1
30	535 41 50-28	KEY		1
31	531 02 12-19	NUT		52
35	535 41 50-65	SPACER		1
36	576 48 96-01	BEARING		2
37	535 41 50-67	PROTECTOR		2
38	535 41 50-68	PLATE		2
39	576 48 97-01	SCREW		1
40	576 48 98-01	GUARD		1
42	535 41 50-72	HAND GUARD		1
43	576 48 99-01	GUARD		1
44	576 49 00-01	DUST COVER		1
61	531 02 11-84	WASHER		18
62	576 49 16-01	PULLEY		1
63	535 41 50-86	NIPPLE		2
64	576 49 17-01	WASHER		2
65	531 02 12-39	SCREW		2
66	535 41 50-43	SCREW		1
67	531 00 52-20	KEY		1
68	535 41 50-89	SCREW		3
69	531 02 11-37	WASHER		6
70	535 41 50-36	SCREW		9
72	535 41 50-11	WASHER		2
73	531 02 11-98	NUT		13
74	576 49 20-01	COLLAR		1
77	531 02 11-44	SCREW		7
79	531 02 11-46	SCREW		6
80	531 00 52-66	SCREW		1
81	578 85 39-01	SCREW		1
82	531 02 11-30	NUT		3
86	531 02 11-96	SCREW		2
87	578 85 40-01	NUT		1
93	506 98 26-01	SCREW		2
94	506 55 97-01	WASHER		2
96	576 49 23-01	PULLEY		1
97	535 46 66-26	WASHER		1
98	725 64 53-01	SCREW IHCSFM		1
99	535 46 66-27	KEY		1
100	535 46 66-67	KEY		1
101	576 49 24-01	SHAFT		1
57	535 41 50-82	BUSHING		4
34	531 02 11-69	SCREW		2
83	535 41 50-94	WASHER		1