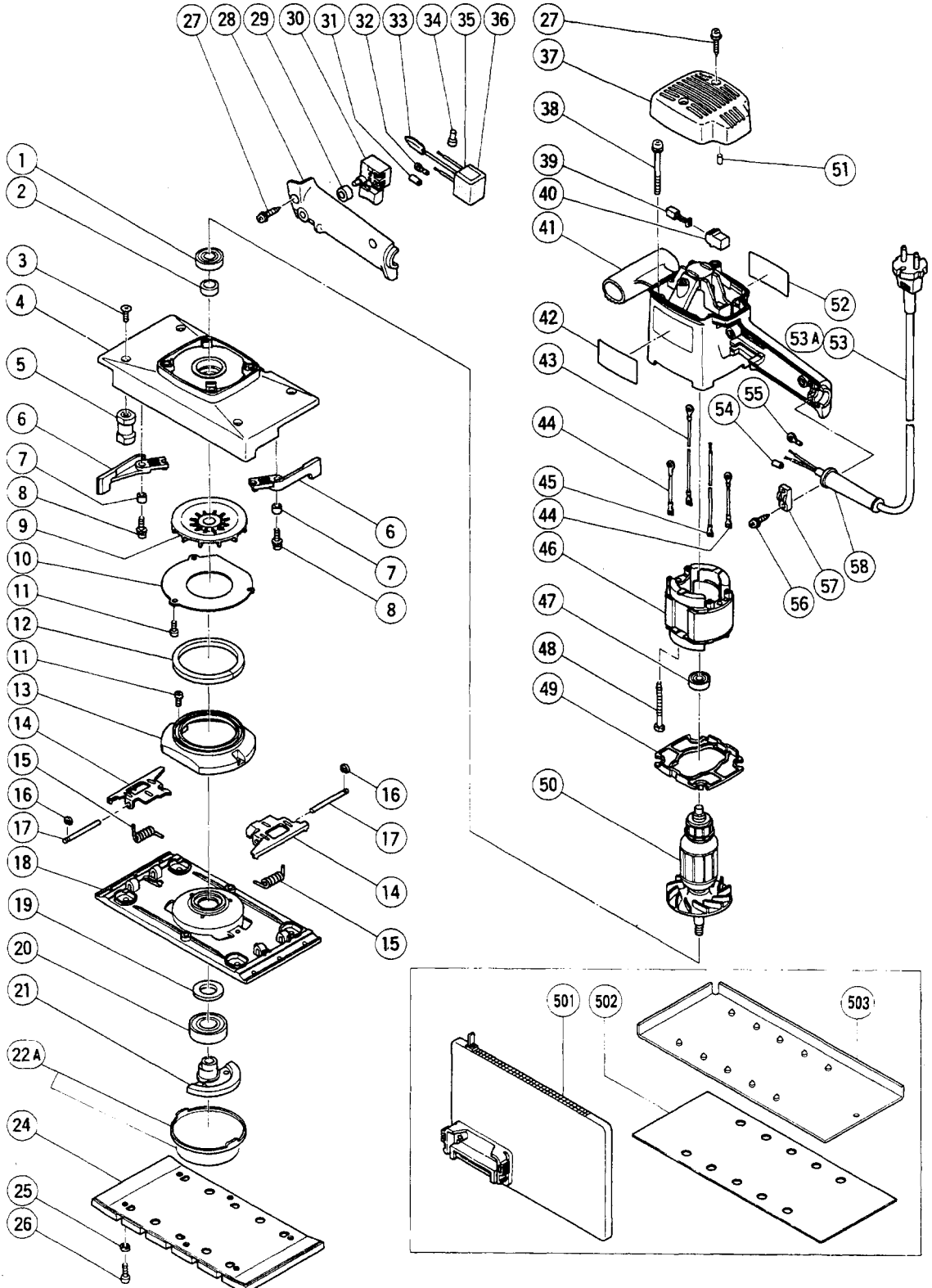


ELECTRIC TOOL PARTS LIST

■ ORBITAL SANDER
Model SV 12SD

1994 · 4 · 4
(E3)



PARTS

SV 12SD

ITEM NO.	CODE NO.	DESCRIPTION	NO. USED	REMARKS	
1	600-1DD	BALL BEARING 6001DDUCMPS2S	1		
2	300-158	SLEEVE	1		
3	992-013	SEAL LOCK FLAT HD. SCREW M5X14	4		
4	300-172	FRAME	1		
5	300-317	RUBBER LEG	4		
6	300-161	LEVER	2		
7	953-066	DISTANCE PIECE	2		
8	993-539	MACHINE SCREW (W/WASHERS) M4X16	2		
9	300-159	FAN	1		
10	300-160	DUST FAN GUIDE	1		
11	949-216	MACHINE SCREW M4X10 (10 PCS.)	5		
12	300-165	FELT (A)	1		
13	300-164	DUST GUIDE	1		
14	300-162	PAPER HOLDER	2		
15	953-320	SPRING	2		
16	872-971	RETAINING RING (E - TYPE) FOR D3 SHAFT	2		
17	300-163	HOLDER BAR	2		
18	300-173	BOTTOM PLATE	1		
19	300-166	FELT	1		
20	620-3DD	BALL BEARING 6203DDUCMAV2S	1		
21	300-167	BALANCE WEIGHT	1		
22A	300-318	COVER	1		
24	300-090	SANDING PAD (PERFORATED)	1		
25	949-454	SPRING WASHER M5 (10 PCS.)	6		
26	949-238	MACHINE SCREW M5X14 (10 PCS.)	6		
27	982-095	TAPPING SCREW (W/WASHER) D4X20	4		
28	300-157	HANDLE COVER	1		
29	940-811	PUSHING HOLDER	1		
*	30	957-747	SWITCH (A) (1P SCREW TYPE) W/LOCK	1	
*	30	971-667Z	SWITCH (2P PILLAR TYPE) W/LOCK	1	
*	31	981-373	TUBE (D)	2	FOR NOISE SUPPRESSOR
*	32	980-063	TERMINAL	1	FOR NOISE SUPPRESSOR
*	33	992-635	EARTH TERMINAL	1	FOR NOISE SUPPRESSOR
*	34	959-140	CONNECTOR 50091 (10 PCS.)	1	
*	35	994-273	NOISE SUPPRESSOR	1	
*	36	930-153	SUPPORT (B)	1	FOR NOISE SUPPRESSOR
*	36	963-243	SUPPORT	1	FOR NOISE SUPPRESSOR FOR NZL,SAF
	37	300-156	TOP COVER	1	
	38	300-319	MACHINE SCREW (+ - HD.) M5X60	4	
	39	999-041	CARBON BRUSH (1 PAIR)	2	
	40	930-483	BRUSH HOLDER	2	
	41	300-154	HOUSING	1	
	42	300-174	HITACHI LABEL	1	
*	43	300-179	INTERNAL WIRE	1	
*	43	300-178	INTERNAL WIRE	1	FOR AUS
*	43	300-180	INTERNAL WIRE	1	FOR USA,CAN
*	44	305-775	CHOKE COIL SET	2	
*	44	300-205	INTERNAL WIRE	2	FOR CAN
*	44	301-843	INTERNAL WIRE	2	FOR USA
*	45	300-175	INTERNAL WIRE	1	
*	45	300-176	INTERNAL WIRE	1	FOR EUROPE

*: ALTERNATIVE PARTS

STANDARD ACCESSORIES

SV 12SD

ITEM NO.	CODE NO.	DESCRIPTION	NO. USED	REMARKS
501	300-177	DUST BAG	1	
502	300-047	SANDING PAPERS 114X280 AA80 (10 PCS.)	1	(PERFORATED)
503	301-953	PUNCH PLATE	1	FOR AUS

OPTIONAL ACCESSORIES

ITEM NO.	CODE NO.	DESCRIPTION	NO. USED	REMARKS
601	300-045	SANDING PAPERS 114X280 AA40 (10 PCS.)	1	(PERFORATED)
602	300-046	SANDING PAPERS 114X280 AA60 (10 PCS.)	1	(PERFORATED)
603	300-048	SANDING PAPERS 114X280 AA100 (10 PCS.)	1	(PERFORATED)
604	300-049	SANDING PAPERS 114X280 AA120 (10 PCS.)	1	(PERFORATED)
605	300-050	SANDING PAPERS 114X280 AA150 (10 PCS.)	1	(PERFORATED)
606	300-051	SANDING PAPERS 114X280 AA180 (10 PCS.)	1	(PERFORATED)
607	300-052	SANDING PAPERS 114X280 AA220 (10 PCS.)	1	(PERFORATED)
608	300-053	SANDING PAPERS 114X280 AA240 (10 PCS.)	1	(PERFORATED)
609	300-054	SANDING PAPERS 114X280 AA40 (10 PCS.)	1	(NON - PERFORATED)
610	300-055	SANDING PAPERS 114X280 AA60 (10 PCS.)	1	(NON - PERFORATED)
611	300-056	SANDING PAPERS 114X280 AA80 (10 PCS.)	1	(NON - PERFORATED)
612	300-057	SANDING PAPERS 114X280 AA100 (10 PCS.)	1	(NON - PERFORATED)
613	300-058	SANDING PAPERS 114X280 AA120 (10 PCS.)	1	(NON - PERFORATED)
614	300-059	SANDING PAPERS 114X280 AA150 (10 PCS.)	1	(NON - PERFORATED)
615	300-060	SANDING PAPERS 114X280 AA180 (10 PCS.)	1	(NON - PERFORATED)
616	300-061	SANDING PAPERS 114X280 AA220 (10 PCS.)	1	(NON - PERFORATED)
617	300-062	SANDING PAPERS 114X280 AA240 (10 PCS.)	1	(NON - PERFORATED)
618	300-063	SANDING PAPERS 114X228 AA40 (10 PCS.)	1	PRESSURE SENSITIVE TYPE,PERFORATED
619	300-064	SANDING PAPERS 114X228 AA60 (10 PCS.)	1	PRESSURE SENSITIVE TYPE,PERFORATED
620	300-065	SANDING PAPERS 114X228 AA80 (10 PCS.)	1	PRESSURE SENSITIVE TYPE,PERFORATED
621	300-066	SANDING PAPERS 114X228 AA100 (10 PCS.)	1	PRESSURE SENSITIVE TYPE,PERFORATED
622	300-067	SANDING PAPERS 114X228 AA120 (10 PCS.)	1	PRESSURE SENSITIVE TYPE,PERFORATED
623	300-068	SANDING PAPERS 114X228 AA150 (10 PCS.)	1	PRESSURE SENSITIVE TYPE,PERFORATED
624	300-069	SANDING PAPERS 114X228 AA180 (10 PCS.)	1	PRESSURE SENSITIVE TYPE,PERFORATED
625	300-070	SANDING PAPERS 114X228 AA220 (10 PCS.)	1	PRESSURE SENSITIVE TYPE,PERFORATED
626	300-071	SANDING PAPERS 114X228 AA240 (10 PCS.)	1	PRESSURE SENSITIVE TYPE,PERFORATED
627	300-072	SANDING PAPERS 114X228 AA40 (10 PCS.)	1	PRESSURE SENSITIVE TYPE, NON - PERFORATED
628	300-073	SANDING PAPERS 114X228 AA60 (10 PCS.)	1	PRESSURE SENSITIVE TYPE, NON - PERFORATED
629	300-074	SANDING PAPERS 114X228 AA80 (10 PCS.)	1	PRESSURE SENSITIVE TYPE, NON - PERFORATED
630	300-075	SANDING PAPERS 114X228 AA100 (10 PCS.)	1	PRESSURE SENSITIVE TYPE, NON - PERFORATED
631	300-076	SANDING PAPERS 114X228 AA120 (10 PCS.)	1	PRESSURE SENSITIVE TYPE, NON - PERFORATED
632	300-077	SANDING PAPERS 114X228 AA150 (10 PCS.)	1	PRESSURE SENSITIVE TYPE, NON - PERFORATED
633	300-078	SANDING PAPERS 114X228 AA180 (10 PCS.)	1	PRESSURE SENSITIVE TYPE, NON - PERFORATED
634	300-079	SANDING PAPERS 114X228 AA220 (10 PCS.)	1	PRESSURE SENSITIVE TYPE, NON - PERFORATED
635	300-080	SANDING PAPERS 114X228 AA240 (10 PCS.)	1	PRESSURE SENSITIVE TYPE, NON - PERFORATED
636	300-081	PAD (PRESSURE SENSITIVE TYPE,PERFORATED)	1	
637	300-082	CLEANER ADAPTER	1	
638	301-953	PUNCH PLATE	1	
639	302-313	PAD (QUICK STICK TYPE, PERFORATED)	1	

*: ALTERNATIVE PARTS