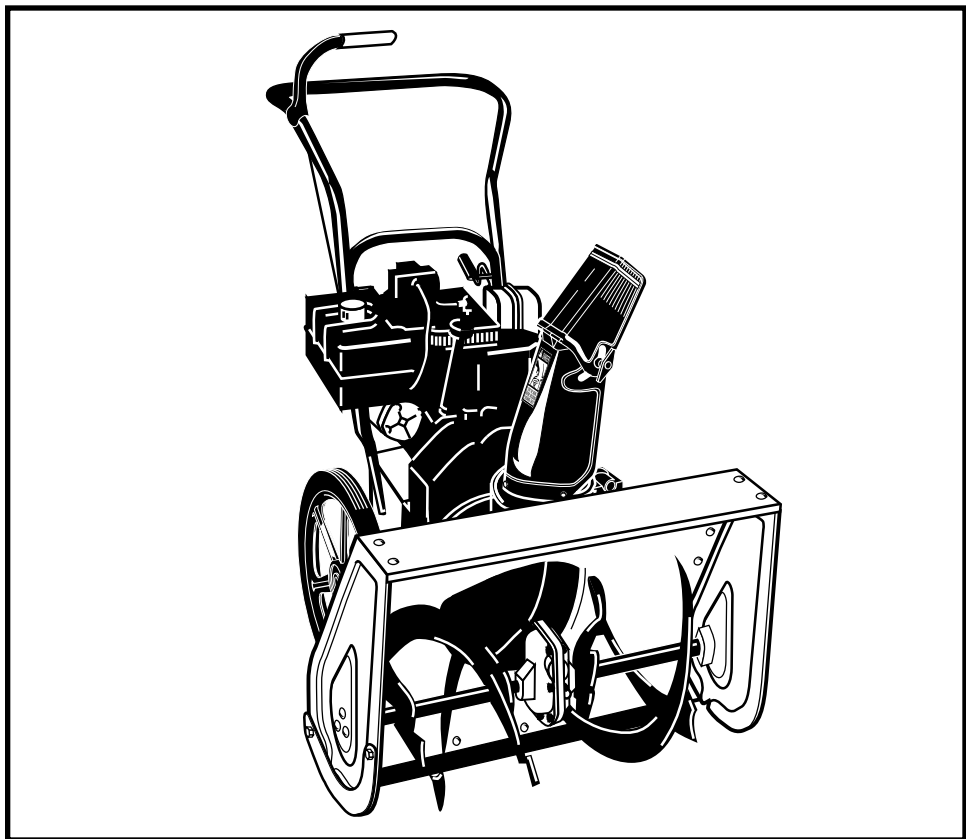


# ST522H



**1.1997**

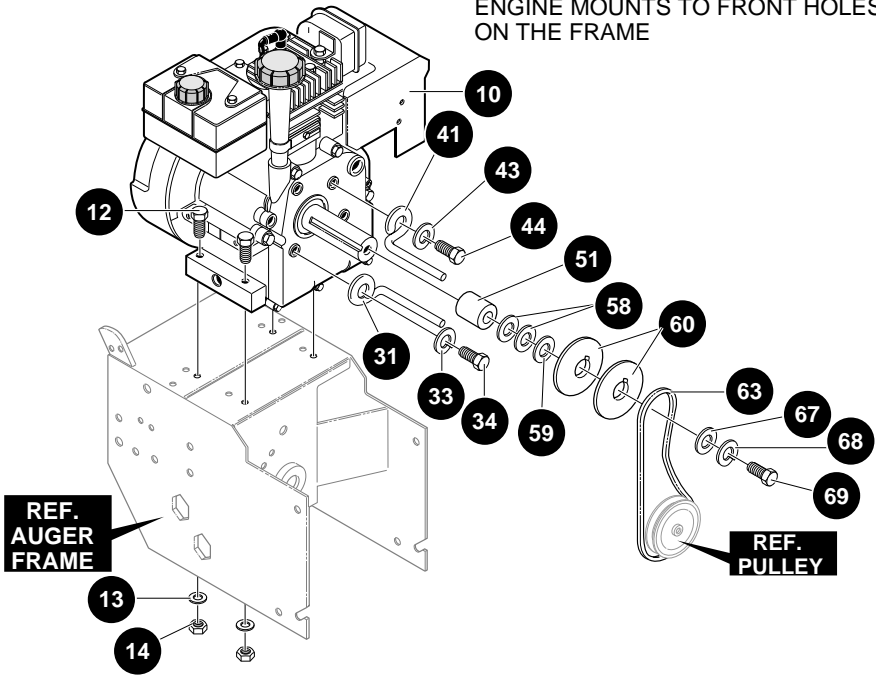
**Spare Parts**

# 22" SNOW THROWER MODEL ST522H

## ENGINE ASSEMBLY

### NOTE

ENGINE MOUNTS TO FRONT HOLES ON THE FRAME



336629 C

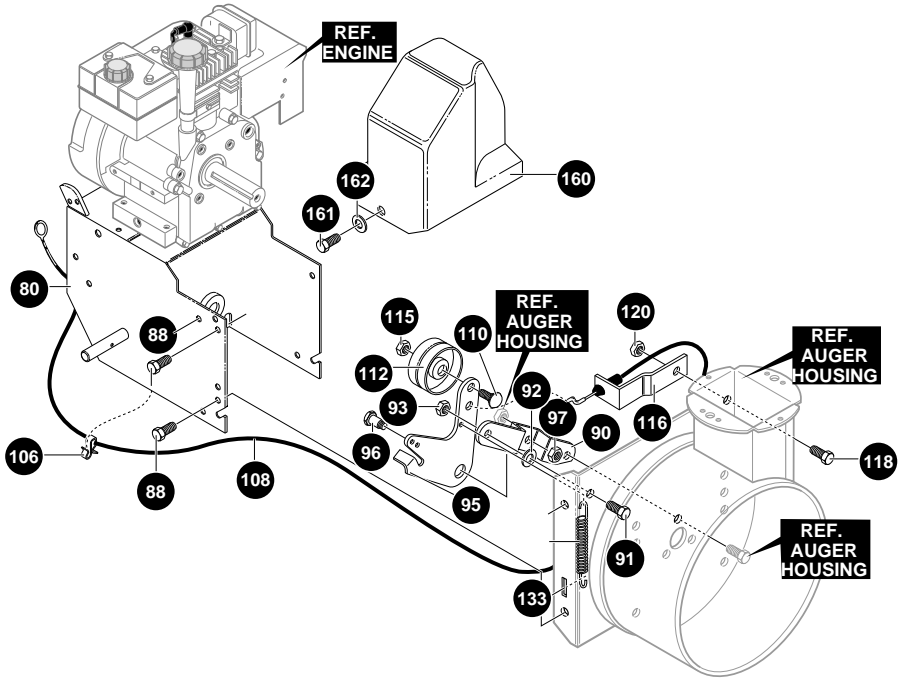
REF NO.	PART NO.	PART NAME
10	Engine	(See Engine Manual)
12	601 00 21-44	Screw, 5/16-18x1.25
13	601 00 00-19	Flatwasher, .344x.69x.065
14	601 00 00-59	Nut, 5/16-18
31	601 00 14-32	Guide, Rod Belt, RH
33	601 00 00-23	Washer, .328x.60x.09
34	601 00 14-33	Screw, 5/16-24x.625
41	601 00 14-32	Guide, Rod Belt RH
43	601 00 00-23	Washer, .328x.60x.09
44	601 00 14-33	Screw, 5/16-24x.625
51	601 00 21-45	Spacer, Slev .75x1.25x1.32
58	601 00 14-38	Flatwasher .765x1.12x.06
59	601 00 20-20	Spacer, Slev .753x1.12x.38
60	601 00 20-21	Pulley, Eng V4L 3.00x.75
63	601 00 21-48	Belt, V4L 35.23Lg.
67	601 00 14-41	Flatwasher
68	601 00 00-15	Washer, Regsptlk
69	601 00 05-27	Screw, 3/8-24x1.00
	601 00 21-46	Owner's Manual Eng/Fr

**Note:** Always use original equipment parts. Use of service/replacement parts other than original parts may void your warranty.

All unnumbered items are interchangeable with opposite side

# 22" SNOW THROWER MODEL ST522H

## FRAME COMPONENTS ASSEMBLY

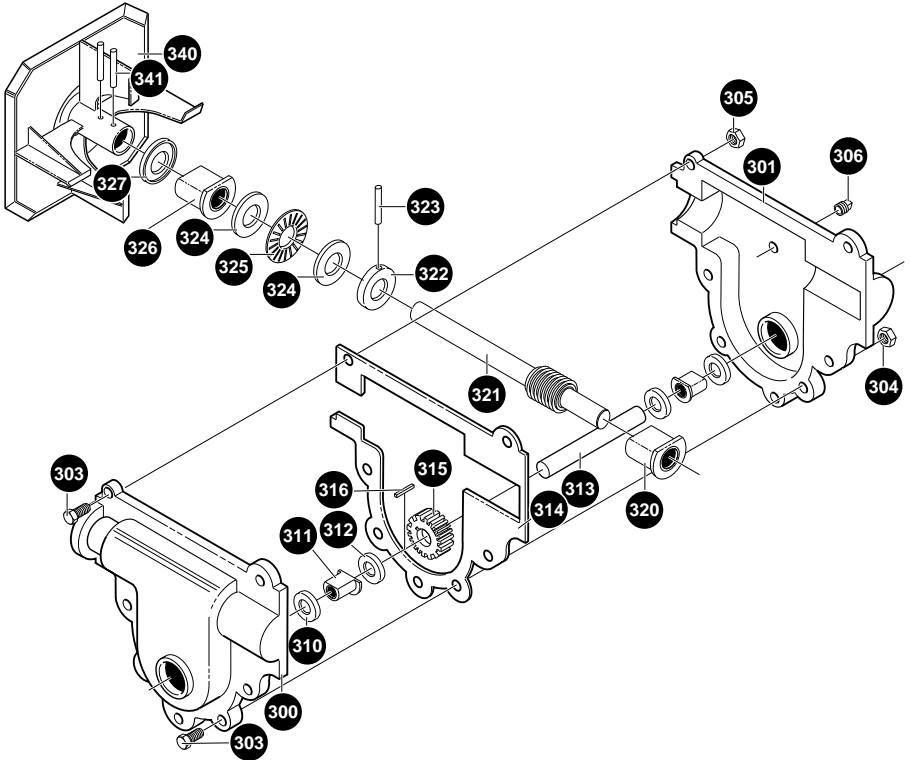


340672 B

REF NO.	PART NO.	PART NAME
80	601 00 21-00	Frame Assy
88	601 00 05-20	Screw, 5/16-18x.75
90	601 00 20-24	Plate-Clutch Arm
91	601 00 20-61	Screw, 3/8-16x.75
92	601 00 00-15	Washer, Regsptlk
93	601 00 00-60	Nut, 3/8-16
95	601 00 21-01	Arm-Clutch
96	601 00 20-26	Bolt, .497x.138
97	601 00 00-60	Nut, 3/8-16 Reghexctrlk
106	601 00 20-27	Clip, Cable
108	601 00 20-29	Cable, Auger Clutch Ctrl
110	601 00 17-40	Screw, 3/8-16x1.25
112	601 00 14-54	Pulley, Idler
115	601 00 13-35	Nut, 3/8-16 Hexctrlkjam
116	601 00 21-02	Bracket, Compact Cable
118	601 00 20-61	Screw, 3/8-16x1.25
120	601 00 00-60	Nut, 3/8-16 Reghexctrlk
133	601 00 10-89	Spring, Idler
160	601 00 14-65	Cover, Belt
161	601 00 14-45	Screw, 1/4-20x.63
162	601 00 00-18	Flatwasher, .281x.63x.065

# 22" SNOW THROWER MODEL ST522H

## GEAR CASE ASSEMBLY

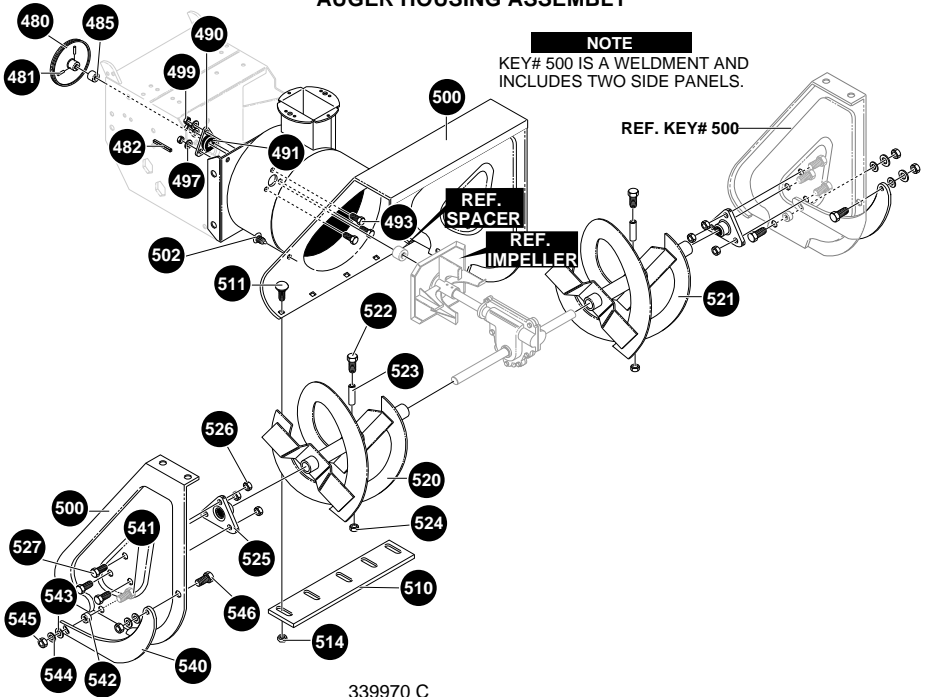


337653 B

REF NO.	PART NO.	PART NAME
300	601 00 21-03	Gear Case, RH
301	601 00 21-04	Gear Case, LH
303	601 00 00-68	Screw, 1/4-20x.75
304	601 00 08-27	Nut, 1/4-20
305	601 00 17-90	Nut, 1/4-20 Hexkeys
306	601 00 21-05	Screw, 3/8-16x.50
310	601 00 18-66	Seal, Oil
311	601 00 21-06	Bearing, Flange
312	601 00 15-00	Flatwasher, .752x1.24x.093
313	601 00 21-07	Shaft, Auger Output
314	601 00 21-08	Gasket, Gear Case
315	601 00 21-09	Gear, Worm
316	601 00 21-10	Key, Woodruff
320	601 00 05-67	Bearing, Flange
321	601 00 21-11	Shaft, Worm Imp Input
322	601 00 21-12	Collar, Thrust .753x1.24x.50
323	601 00 10-54	Pin, Spring
324	601 00 15-00	Flatwasher, .752x1.24x.093
325	601 00 15-01	Bearing, Roll
326	601 00 21-06	Bearing, Flange
327	601 00 18-66	Seal, Oil
340	601 00 21-13	Impel, Assy
341	601 00 10-54	Spring Pin

# 22" SNOW THROWER MODEL ST522H

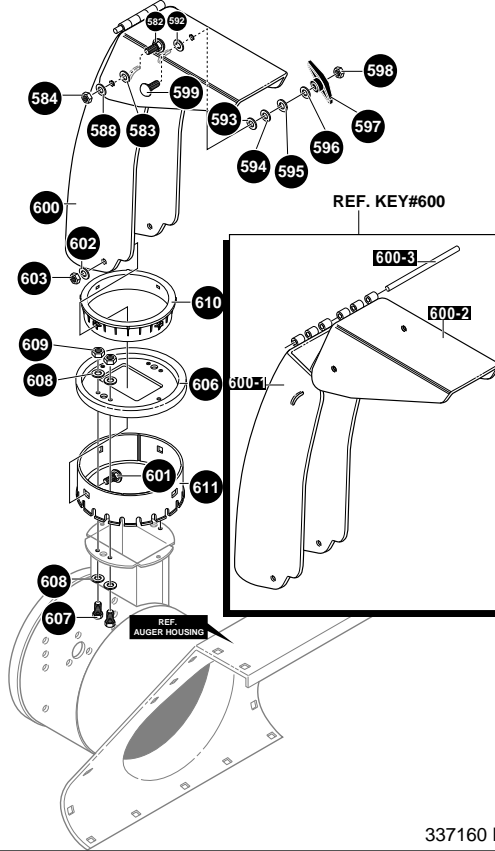
## AUGER HOUSING ASSEMBLY



REF NO.	PART NO.	PART NAME
480	601 00 21-14	Pulley, V4L
481	601 00 21-16	Screw, 5/16-18x.50
482	601 00 15-07	Key, Square
485	601 00 16-10	Spacer, Slve .676x1.00x.53
490	601 00 15-09	Retainer, Ball Bearing
491	601 00 05-39	Bearing, Ball
493	601 00 00-73	Screw, 5/16-18x.75
497	601 00 00-23	Washer, .328x.60x.09
499	601 00 00-12	Nut, 5/16-18
500	601 00 21-17	Housing, Assy
502	601 00 04-06	Ratchet Fastener
510	601 00 21-18	Blade, Scraper 22"
511	601 00 21-19	Carr. Bolt, 1/4-20x.75
514	601 00 05-75	Nut, 1/4-20 Whiz-loc
520	601 00 21-20	Auger, Assy RH
521	601 00 21-21	Auger, Assy LH
522	601 00 14-56	Screw, 1/4-20x1.75
523	601 00 15-17	Spacer, Slve .250x.47x.20
524	601 00 00-62	Nut, 1/4-20
525	601 00 21-22	Bearing, Flange
526	601 00 21-23	Nut, 5/16-18
527	601 00 21-24	Screw, 5/16-18x.75
540	601 00 21-25	Skid, Edge Cover
541	601 00 08-99	Bolt, 5/16-18x1.00
542	601 00 06-69	Flatwasher, .391x1.00x.209
543	601 00 00-19	Flatwasher, .344x.69x.065
544	601 00 00-23	Washer, Hvsptlk
545	601 00 00-12	Nut, 5/16-18 Reghex
546	601 00 00-73	Screw, 5/16-18x.75

# 22" SNOW THROWER MODEL ST522H

## CHUTE ASSEMBLY

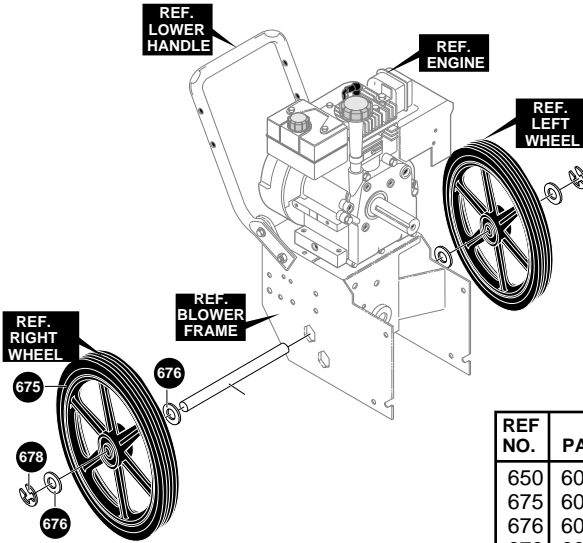


337160 D

REF NO.	PART NO.	PART NAME
582	601 00 14-11	Bolt, 5/16-18x.75
583	601 00 21-26	Washer, Pl .438x.75x.064
584	601 00 00-59	Nut, 5/16-18 Reghexctrlk
588	601 00 15-24	Washer, .315x.75x.064
592	601 00 21-26	Washer, Pl .438x.75x.064
593	601 00 00-59	Washer, .315x.75x.064
594	601 00 00-19	Flatwasher .344x.69x.065
595	601 00 00-23	Washer, .328x.60x.09
596	601 00 00-19	Flatwasher .344x.69x.065
597	601 00 06-84	Knob, T
598	601 00 00-12	Nut, 5/16-18 Reghex
599	601 00 08-99	Bolt, Carr. 5/16-18x1.00
600	601 00 21-27	Chute Assembly
600-1	601 00 21-28	Lower Chute
600-2	601 00 21-29	Upper Chute
600-3	601 00 21-30	Hinge Pin
601	601 00 20-40	Bolt, 5/16-18x1.00
602	601 00 00-19	Flatwasher, .344x.69x.065
603	601 00 14-64	Nut, 5/16-18 Hexnyl
606	601 00 18-38	Collar, Chute
607	601 00 00-68	Screw, 1/4-20x.75
608	601 00 00-18	Flatwasher, .281x.63x.065
609	601 00 00-62	Nut, 1/4-20
610	601 00 18-39	Retainer, Ring Inner
611	601 00 18-40	Retainer, Ring Outer

# 22" SNOW THROWER MODEL ST522H

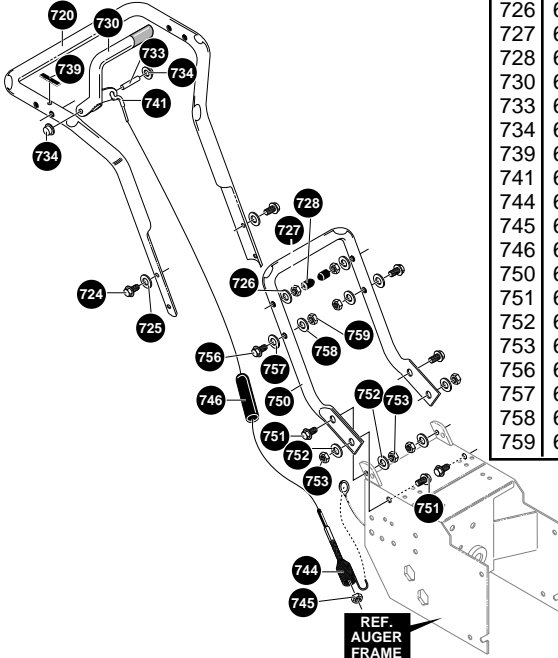
## WHEELS ASSEMBLY



REF NO.	PART NO.	PART NAME
650	601 00 21-31	Axle, .50x20"
675	601 00 21-32	Tire & Rim
676	601 00 14-46	Flatwasher, .53x1.00x.063
678	601 00 00-89	Ring Retaining E

336637 B

## HANDLE ASSEMBLY

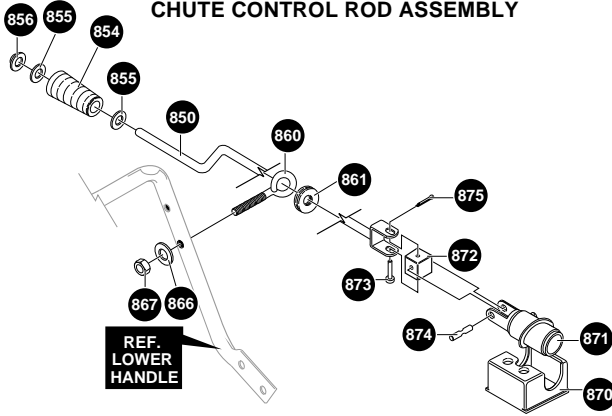


REF NO.	PART NO.	PART NAME
720	601 00 21-33	Handle, Upper
724	601 00 21-34	Screw, 5/16-18x2.75
725	601 00 00-19	Flatwasher, .344x.69x.065
726	601 00 00-23	Washer, .328x.60x.09
727	601 00 00-12	Nut, 5/16-18
728	601 00 21-35	Stop, Red Plastic
730	601 00 21-36	Kit for Handle, Assy RH
733	601 00 15-49	Pin, Pivot
734	601 00 05-16	Nut, Push on Cap
739	601 00 15-50	Bumper, Rect
741	601 00 21-37	Cable, Clutch
744	601 00 15-53	Spring, Auger Clutch
745	601 00 00-62	Nut, 1/4-20
746	601 00 13-95	Boot, Clutch Spring
750	601 00 21-38	Handle, Lower
751	601 00 00-74	Screw, 5/16-18x1.00
752	601 00 00-23	Washer, .328x.60x.09
753	601 00 00-12	Nut, 5/16-18 Reghex
756	601 00 21-39	Screw, 5/16-18x2.00
757	601 00 00-19	Flatwasher, .344x.69x.065
758	601 00 00-23	Washer, .328x.60x.09
759	601 00 00-12	Nut, 5/16-18 Reghex

336639 C

## 22" SNOW THROWER MODEL ST522H

### CHUTE CONTROL ROD ASSEMBLY



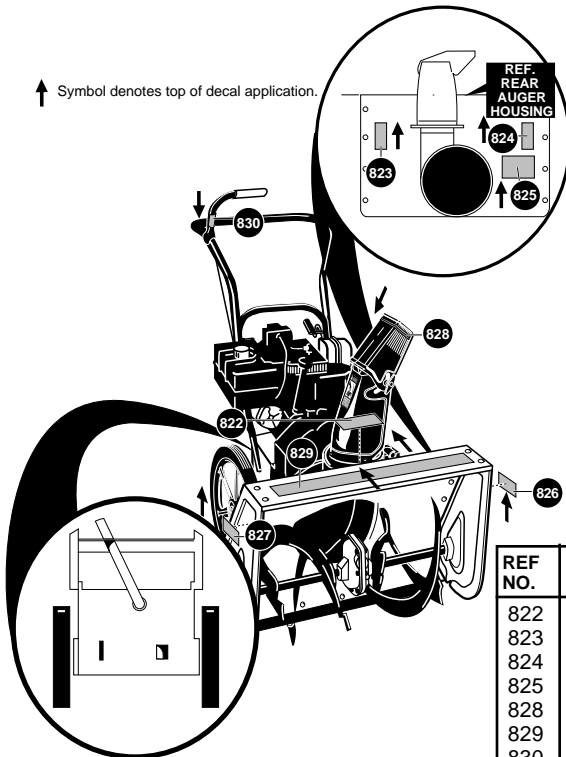
337666 A

REF NO.	PART NO.	PART NAME
850	601 00 17-49	Crank, Assy w/Yoke
854	601 00 20-48	Handle, Chute Crank
855	601 00 20-49	Flatwasher, .39x.70x.05
856	601 00 20-50	Ring, Ret E
860	601 00 21-40	Bolt, Eye
861	601 00 14-08	Grommet, Eye Bolt
866	601 00 00-20	Flatwasher, .406x.81x.065

REF NO.	PART NO.	PART NAME
867	601 00 06-53	Nut, 3/8-16
870	601 00 18-30	Bracket, Worm
871	601 00 18-31	Worm, Gear Chute
872	601 00 20-53	Block, Univ Piv
873	601 00 20-54	Pin, Clevis
874	601 00 20-55	Pin, Univ Joint
875	601 00 18-35	Pin, Cotter

### DECALS

↑ Symbol denotes top of decal application.



337882B

REF NO.	PART NO.	PART NAME
822	601 00 21-41	Decal, 9" Impeller
823	601 00 14-17	Decal, Danger Auger E/F
824	601 00 14-16	Decal, Danger Chute E/F
825	601 00 18-81	Decal, Safety Inst. E/F
828	601 00 21-42	Decal, Danger Chute
829	601 00 21-43	Decal ST522H Top Cover
830	602 00 00-68	Decal, Auger Dr. Engage