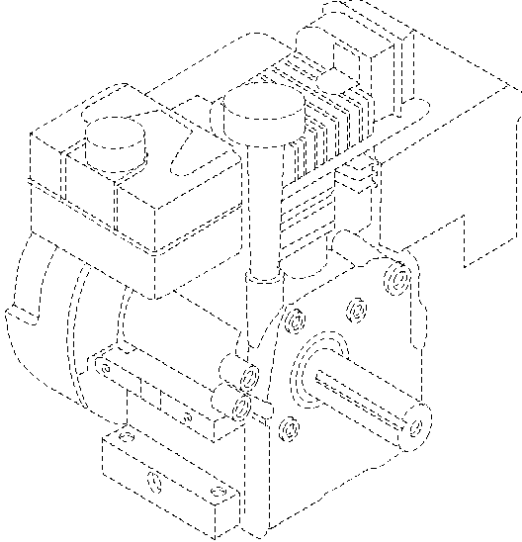
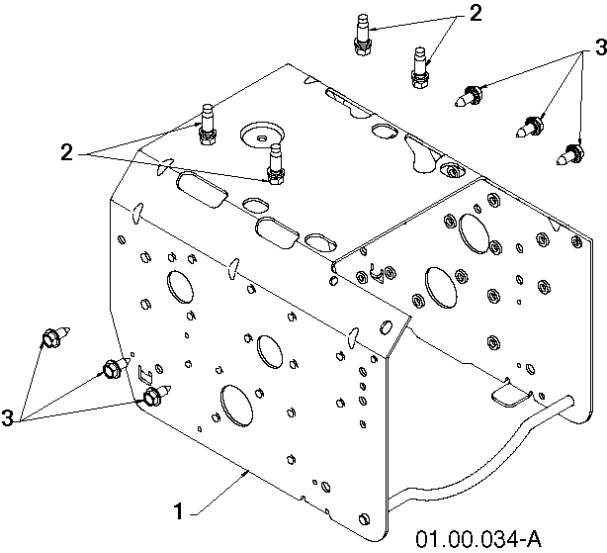




# SPARE PARTS LIST

SNOW BLOWERS/THROWERS

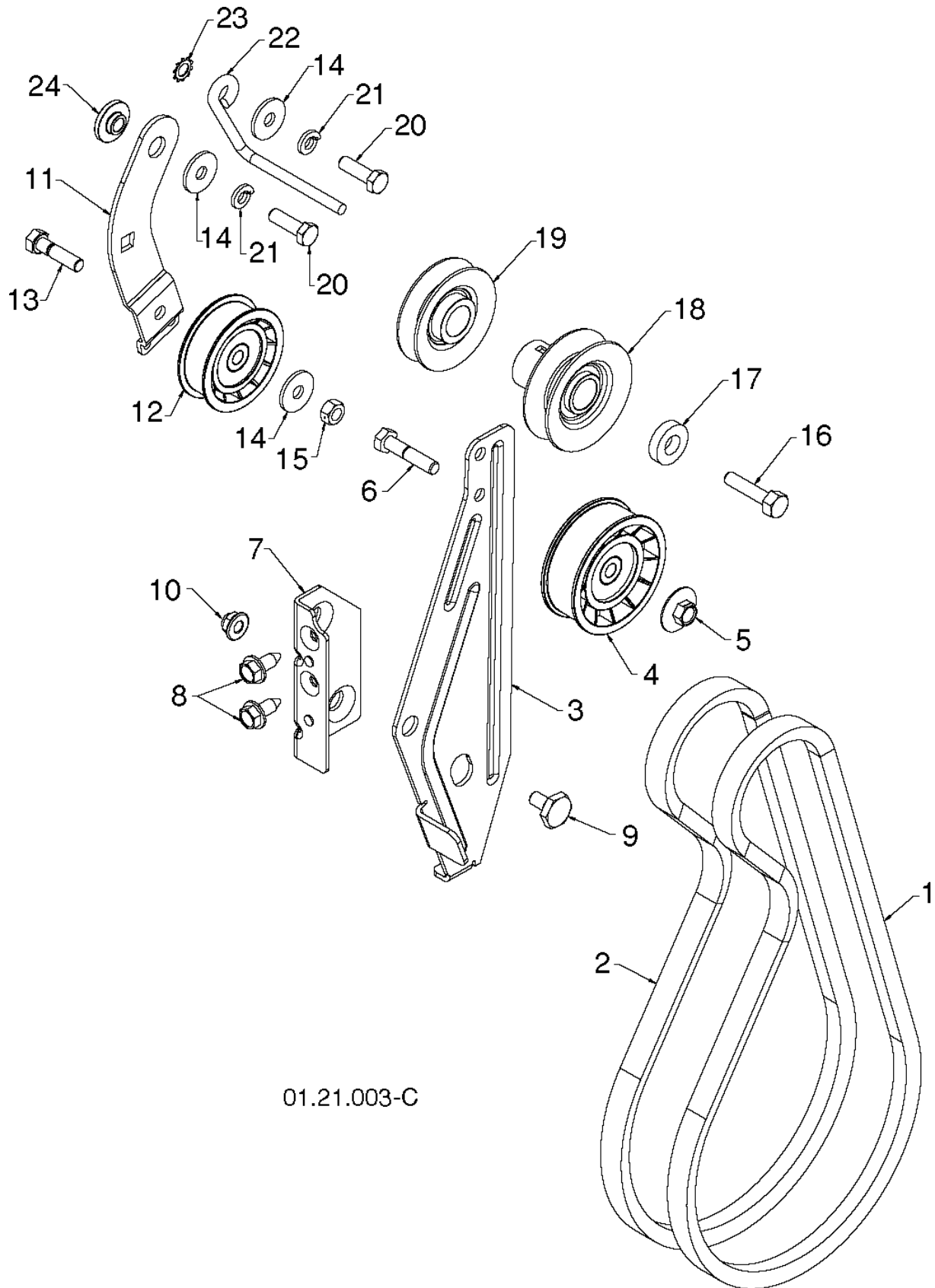
ST 261E, 96191003002, 2011-05



"CHASSIS, ENGINE & PULLEYS"

ST 261E, 96191003002, 2011-05

Ref	Part No	Description	Remark	QTY KIT
	000 00 00-00	W/O DESCRIPTION	B&S 15C114-1468-H8 FOR SERVICE & PARTS 1-800-233-3723	1
1	532 43 59-52	FRAME		1
2	532 15 04-06	BOLT		1
3	532 42 88-67	BOLT		1

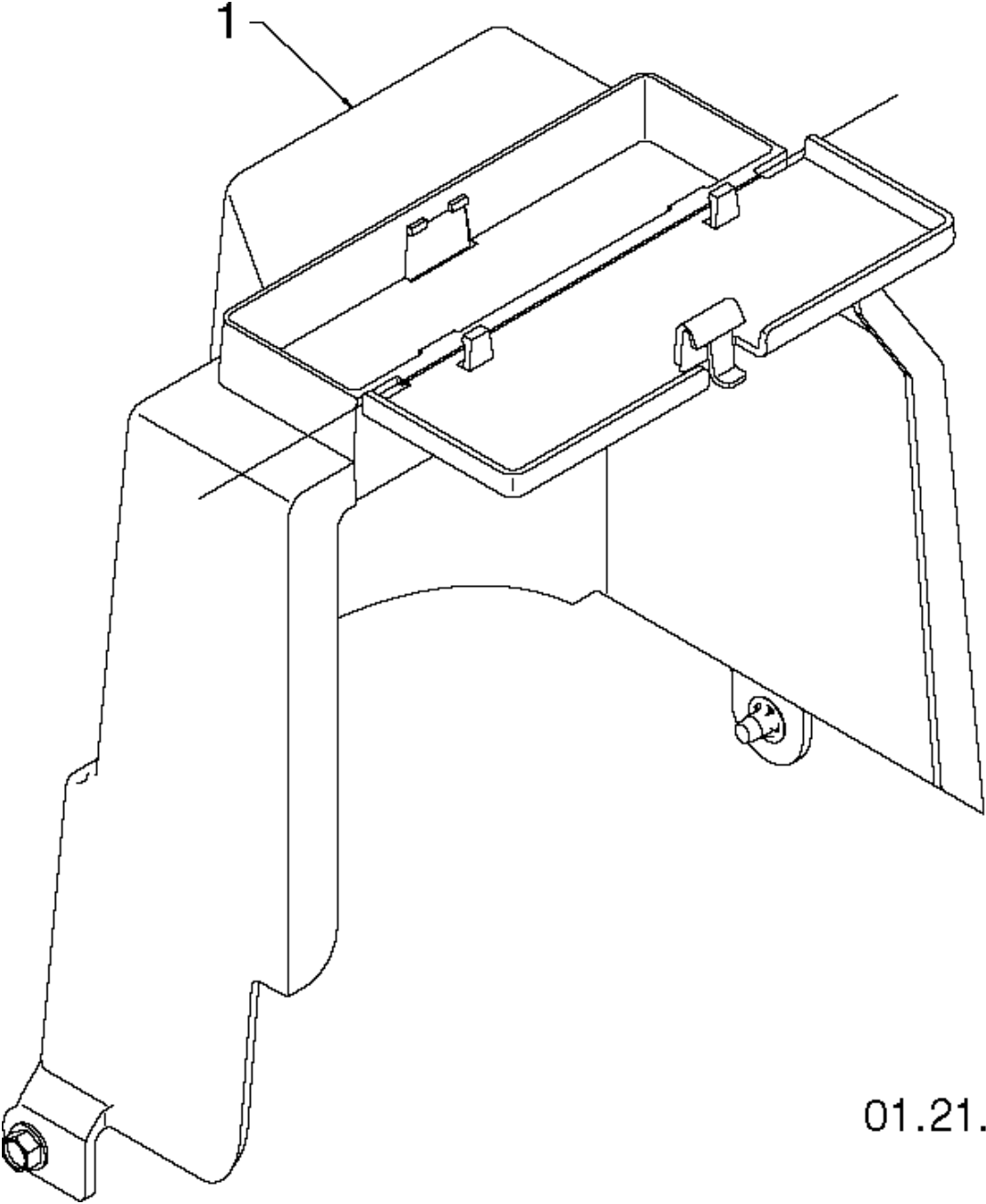


01.21.003-C

## "CHASSIS, ENGINE &amp; PULLEYS"

ST 261E, 96191003002, 2011-05

Ref	Part No	Description	Remark	QTY KIT
1	532 40 80-07	BELT		1
2	532 41 97-44	BELT		1
3	532 42 92-71	BRACKET		1
4	532 18 05-23	PULLEY		1
5	532 42 65-89	NUT		1
6	874 78 05-24	BOLT		1
7	532 42 92-70	BRACKET		1
8	532 42 88-67	BOLT		1
9	532 42 42-97	BOLT		1
10	532 75 11-53	LOCKNUT 5/16-18 RL550HVA		1
11	532 18 77-86	ARM, IDLER		1
12	532 18 05-22	PULLEY		1
13	874 78 05-20	BOLT		1
14	532 05 92-89	WASHER		1
15	873 80 05-00	LOCK NUT		1
16	532 85 10-84	SCREW		1
17	532 40 00-26	WASHER		1
18	532 42 64-91	PULLEY		1
19	532 42 64-90	PULLEY		1
20	874 61 05-16	SCREW		1
21	810 04 05-00	WASHER		1
22	532 15 54-52	GUIDE, BELT		1
23	811 05 05-00	WASHER		1
24	532 17 53-31	BUSHING		1

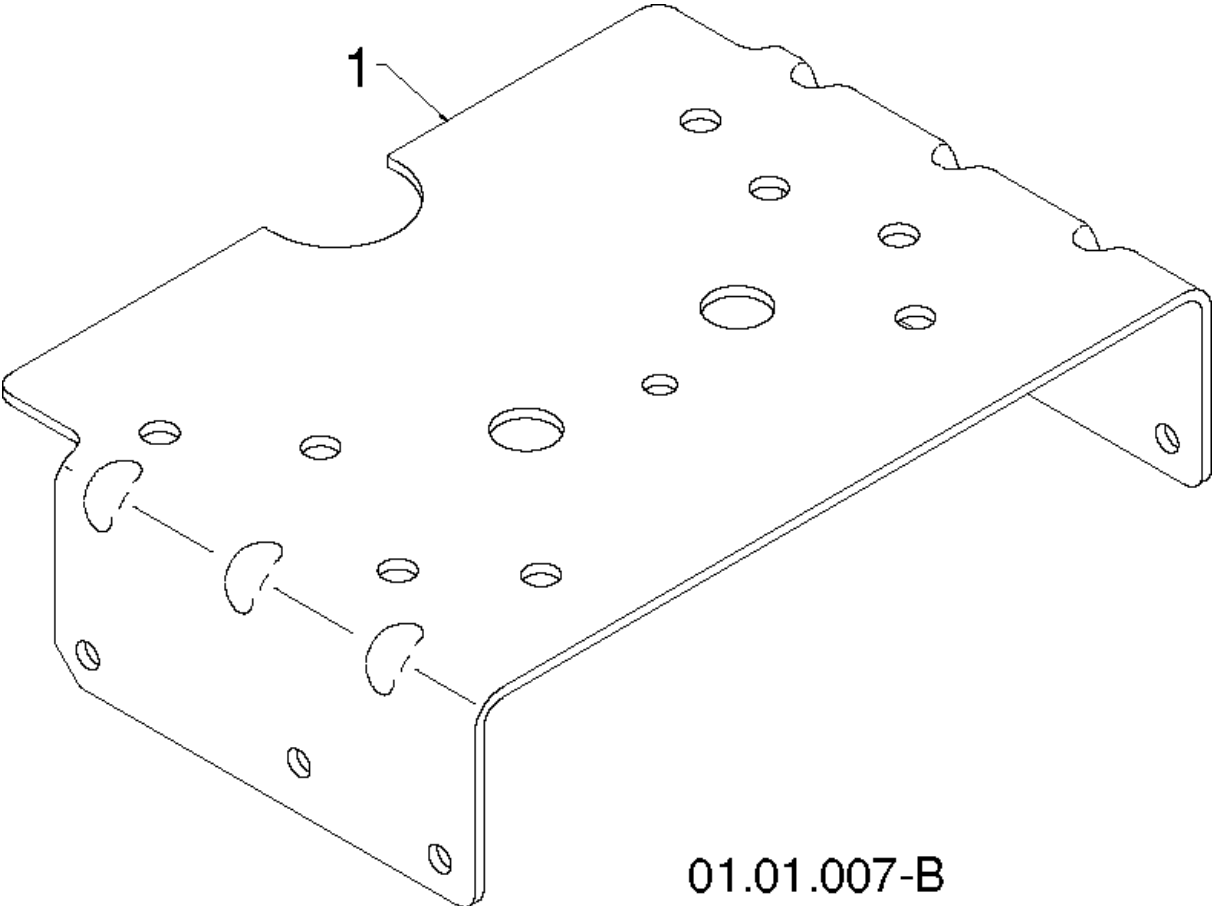


01.21.013-B

"CHASSIS, ENGINE & PULLEYS"

ST 261E, 96191003002, 2011-05

Ref	Part No	Description	Remark	QTY KIT
1	532 42 86-84	COVER		1



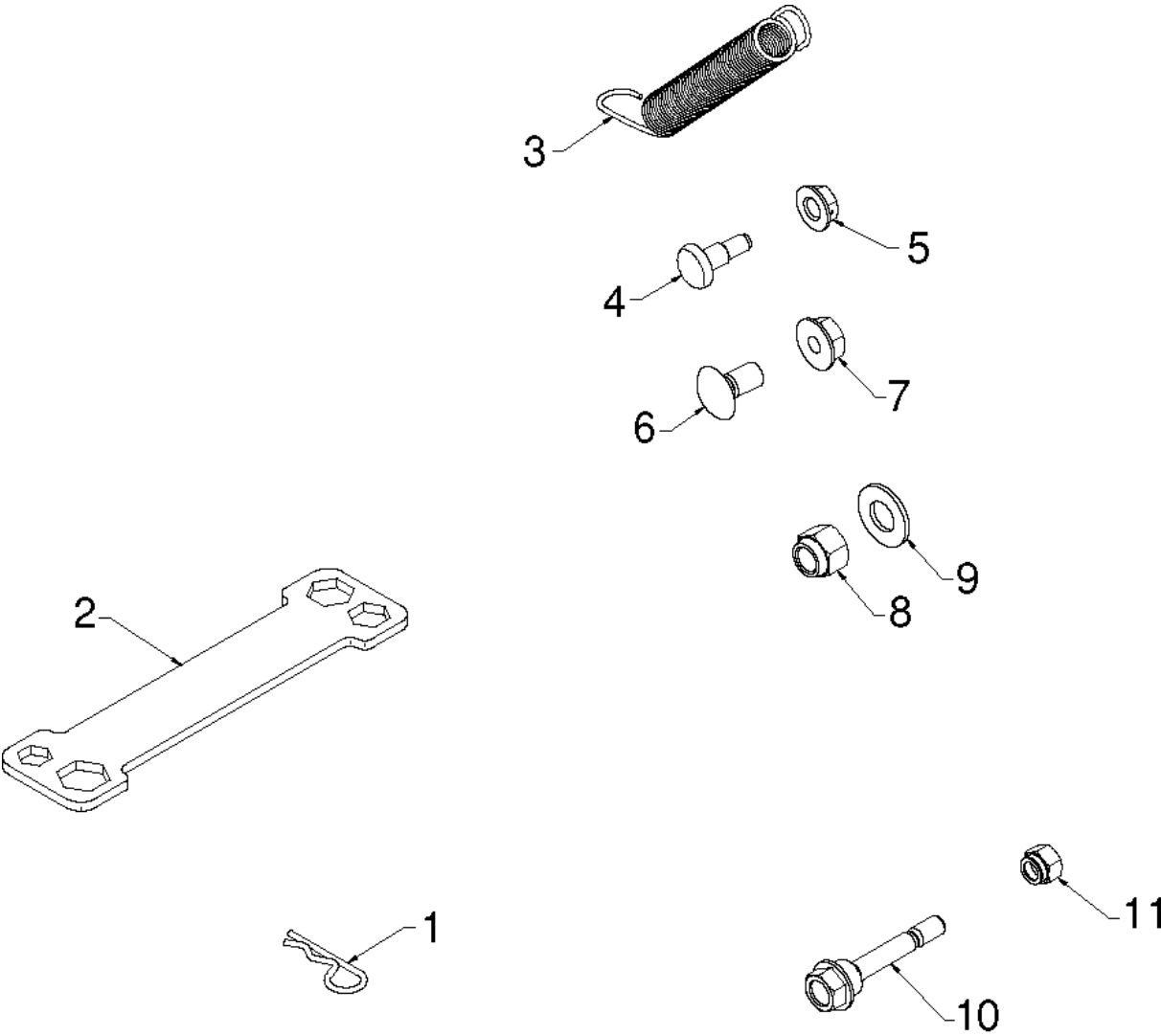
01.01.007-B



"CHASSIS, ENGINE & PULLEYS"

ST 261E, 96191003002, 2011-05

Ref	Part No	Description	Remark	QTY KIT
1	532 43 63-11	PLATE		1

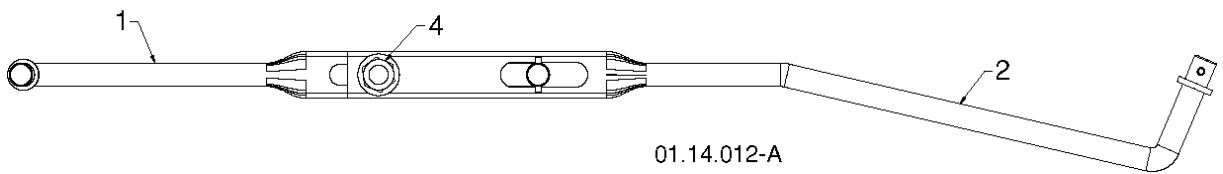
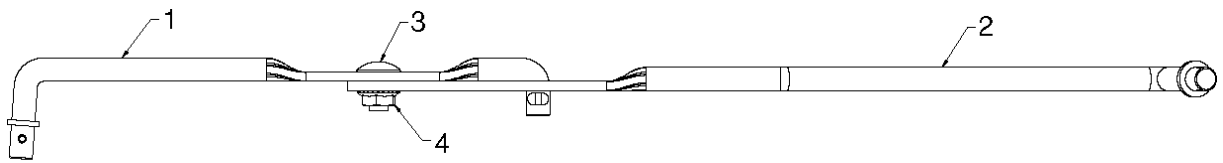


01.14.005-C

## ACCESSORIES

ST 261E, 96191003002, 2011-05

Ref	Part No	Description	Remark	QTY KIT
1	532 16 96-75	PIN RETAINING SCREW		1
2	532 42 91-12	WRENCH		1
3	532 18 45-05	SPRING		1
4	532 17 98-29	BOLT		1
5	532 19 17-30	NUT		1
6	872 25 05-05	BOLT		1
7	532 75 11-53	LOCKNUT 5/16-18 RL550HVA		1
8	873 80 06-00	NUT		1
9	819 13 13-16	WASHER		1
10	532 19 20-90	BOLT		1
11	873 80 04-00	NUT		1

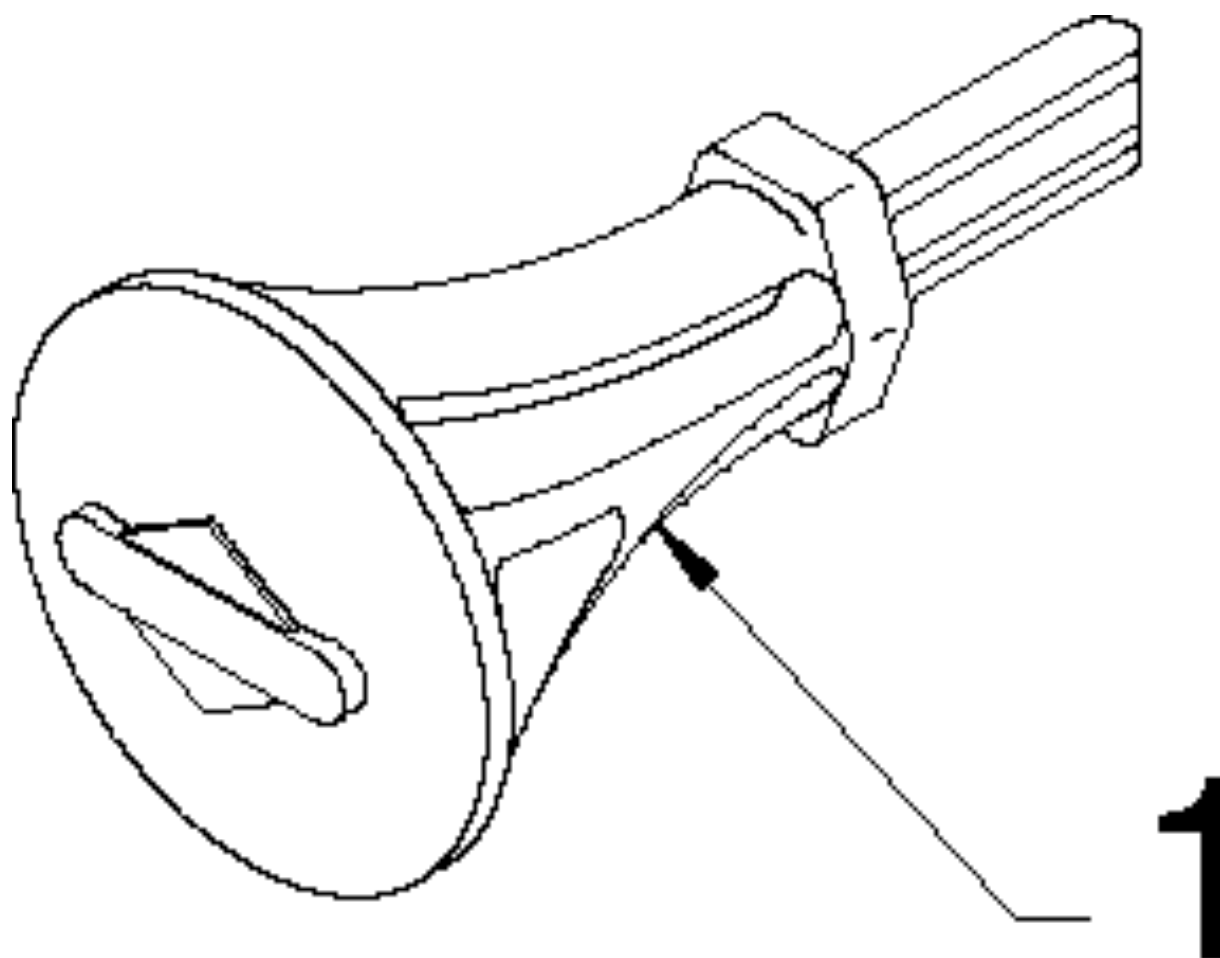


01.14.012-A

## ACCESSORIES

ST 261E, 96191003002, 2011-05

Ref	Part No	Description	Remark	QTY KIT
1	532 18 04-45	LEVER		1
2	532 18 77-16	ROD		1
3	872 27 05-05	BOLT		1
4	532 15 53-77	NUT		1

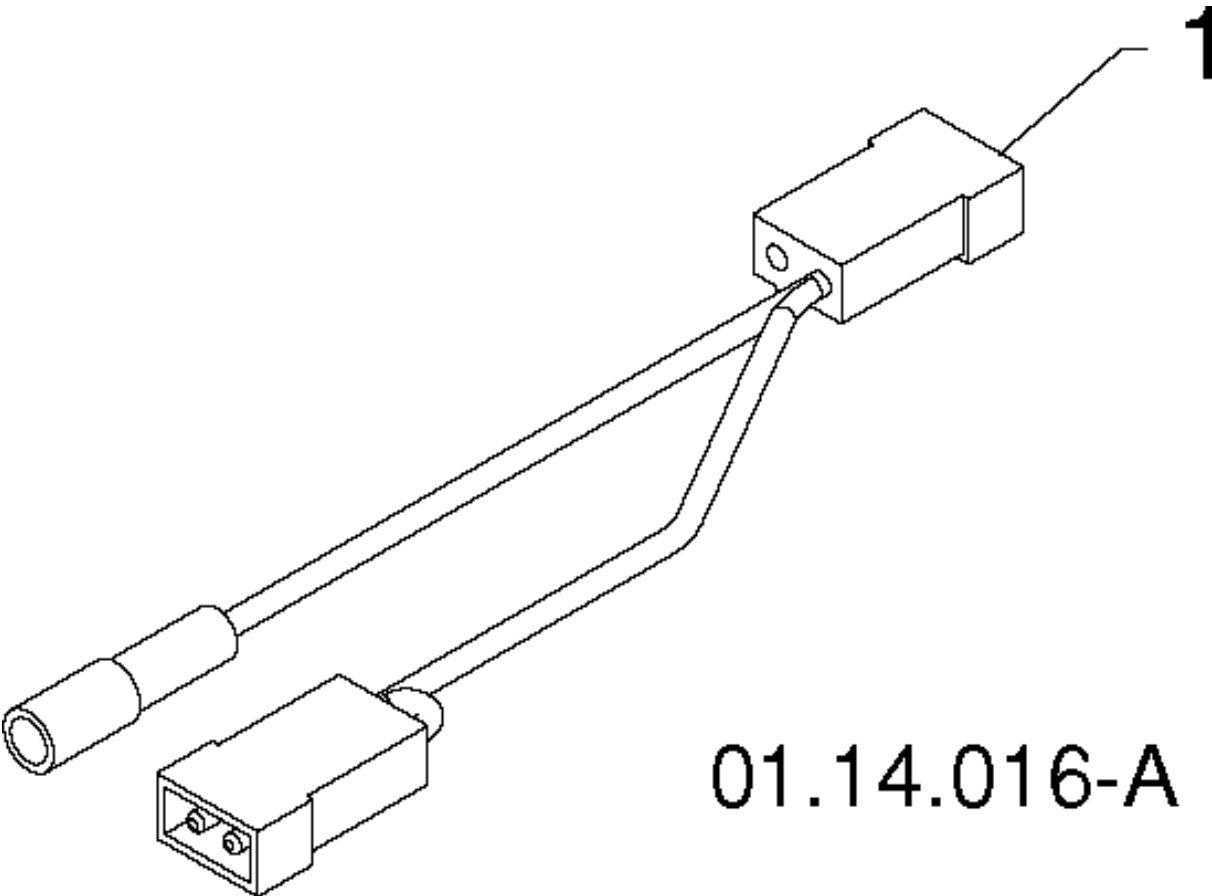


**01.14.007-A**

## ACCESSORIES

ST 261E, 96191003002, 2011-05

Ref	Part No	Description	Remark	QTY KIT
1	532 19 30-71	KEY		1



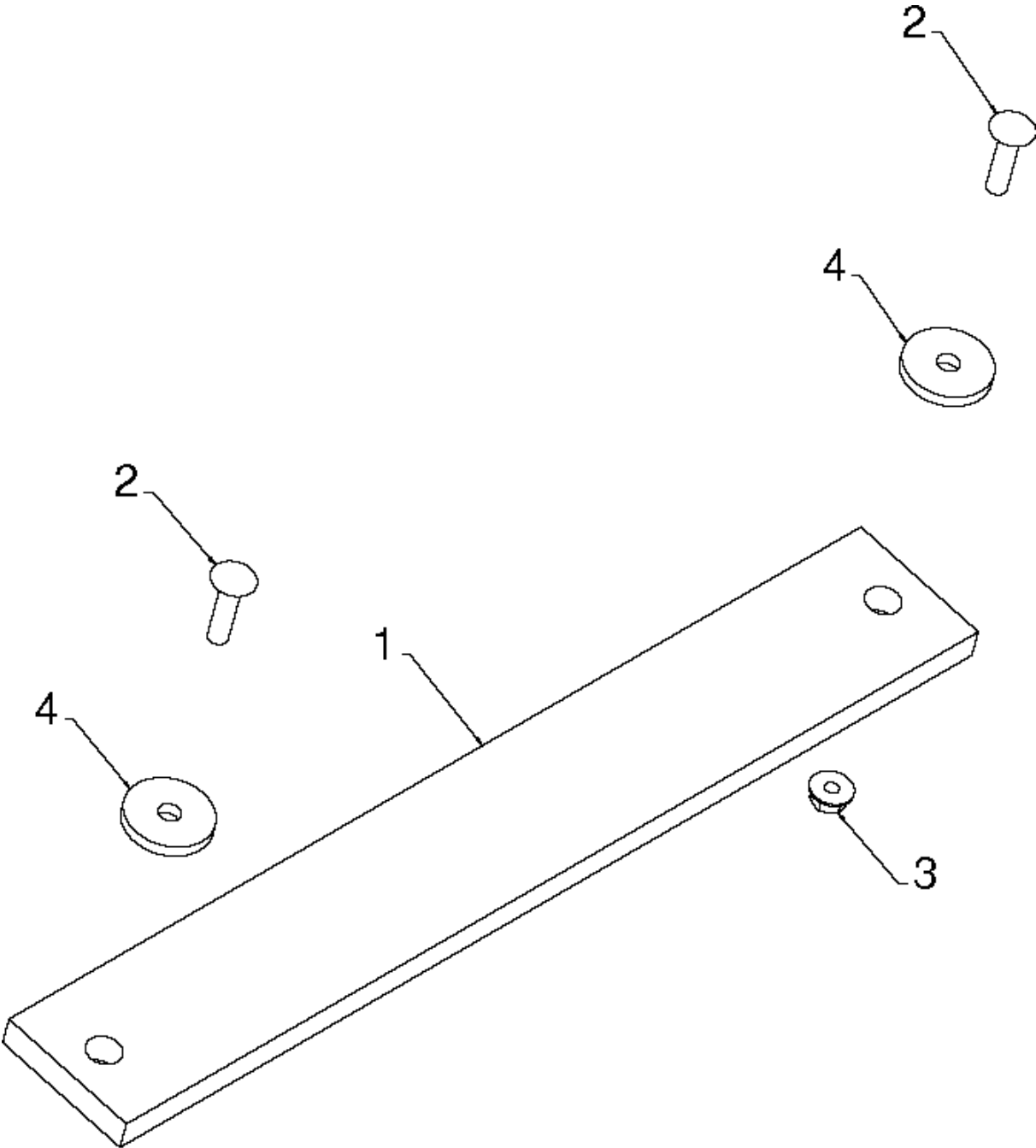
01.14.016-A



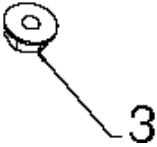
## ACCESSORIES

ST 261E, 96191003002, 2011-05

Ref	Part No	Description	Remark	QTY KIT
1	532 43 58-40	HARNES		1



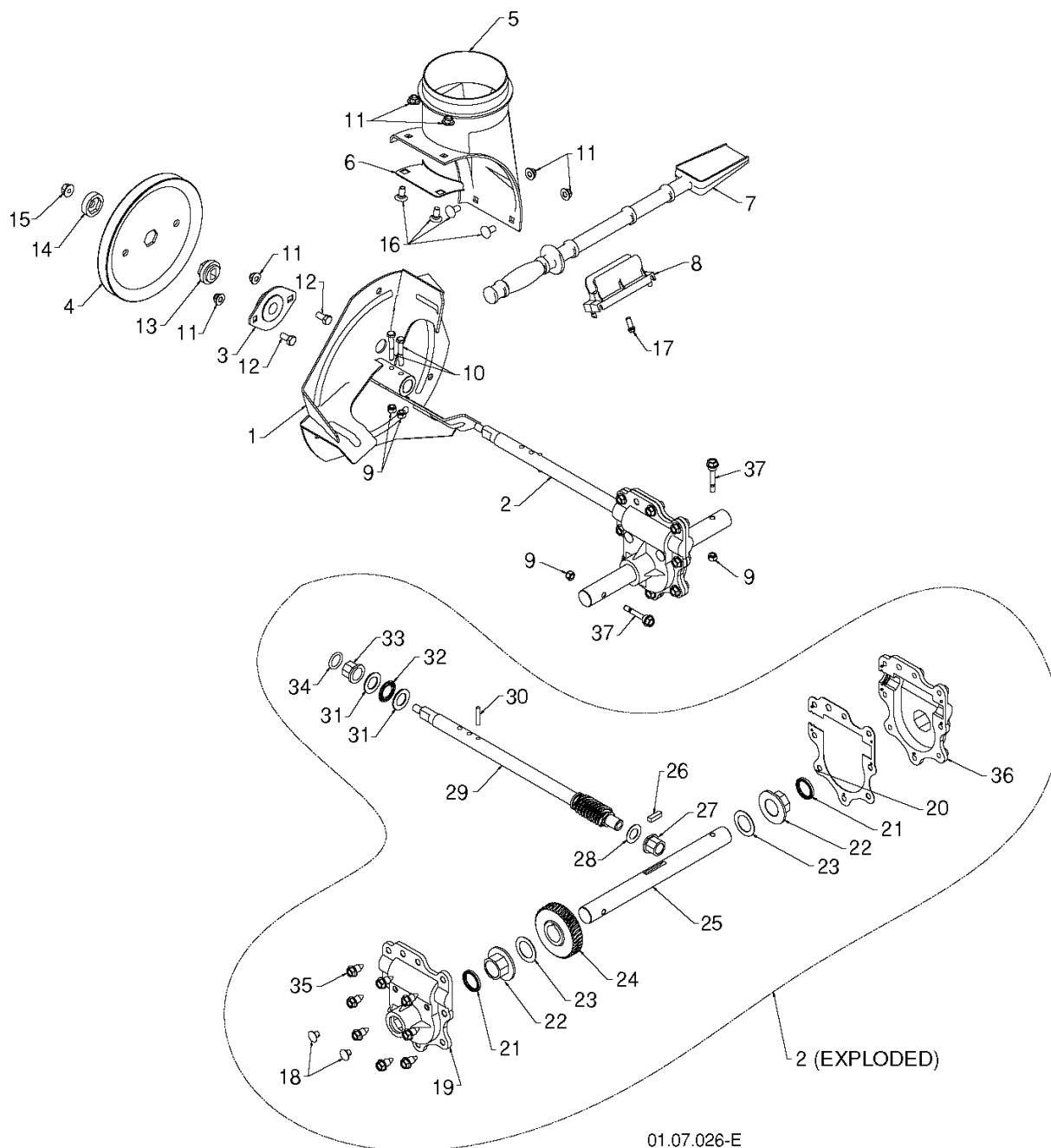
01.17.001-B



## AUGER HOUSING &amp; IMPELLER

ST 261E, 96191003002, 2011-05

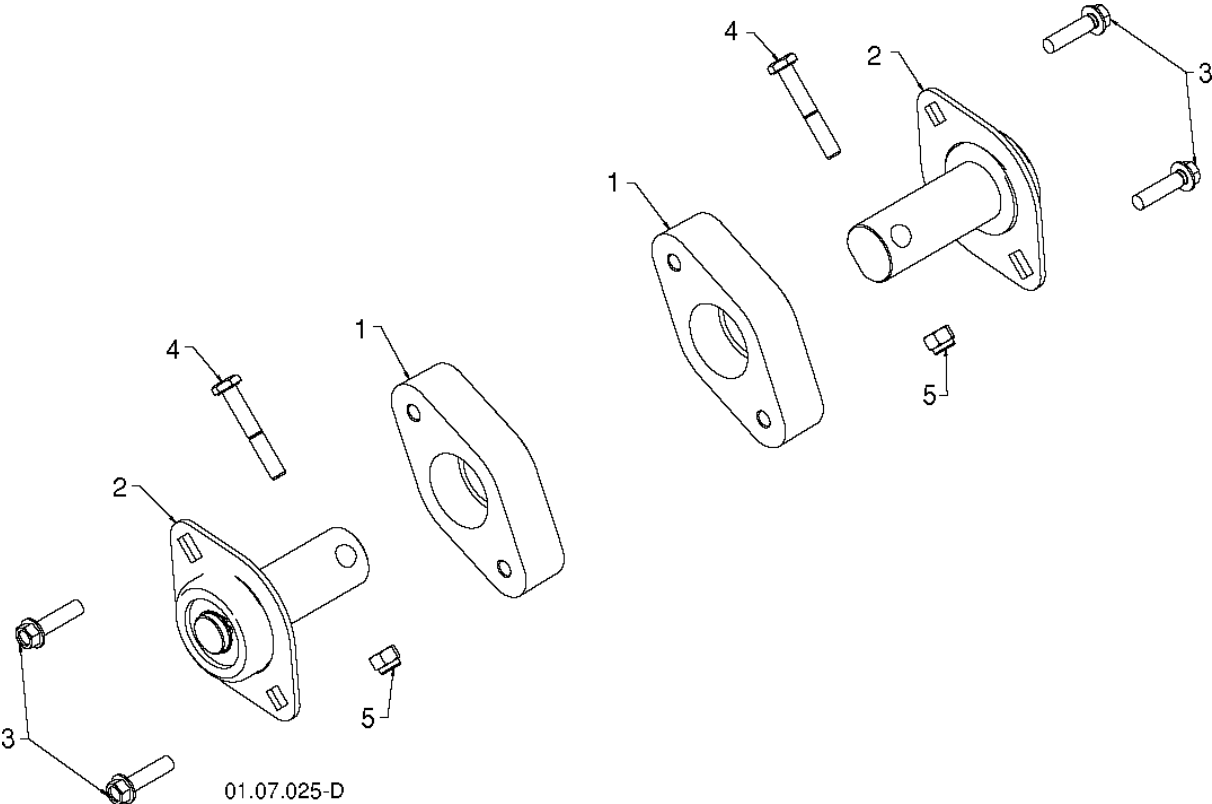
Ref	Part No	Description	Remark	QTY KIT
1	532 18 25-13	BAR		1
2	872 11 05-10	BOLT		1
3	532 75 11-53	LOCKNUT 5/16-18 RL550HVA		1
4	819 11 22-06	WASHER		1



## AUGER HOUSING &amp; IMPELLER

ST 261E, 96191003002, 2011-05

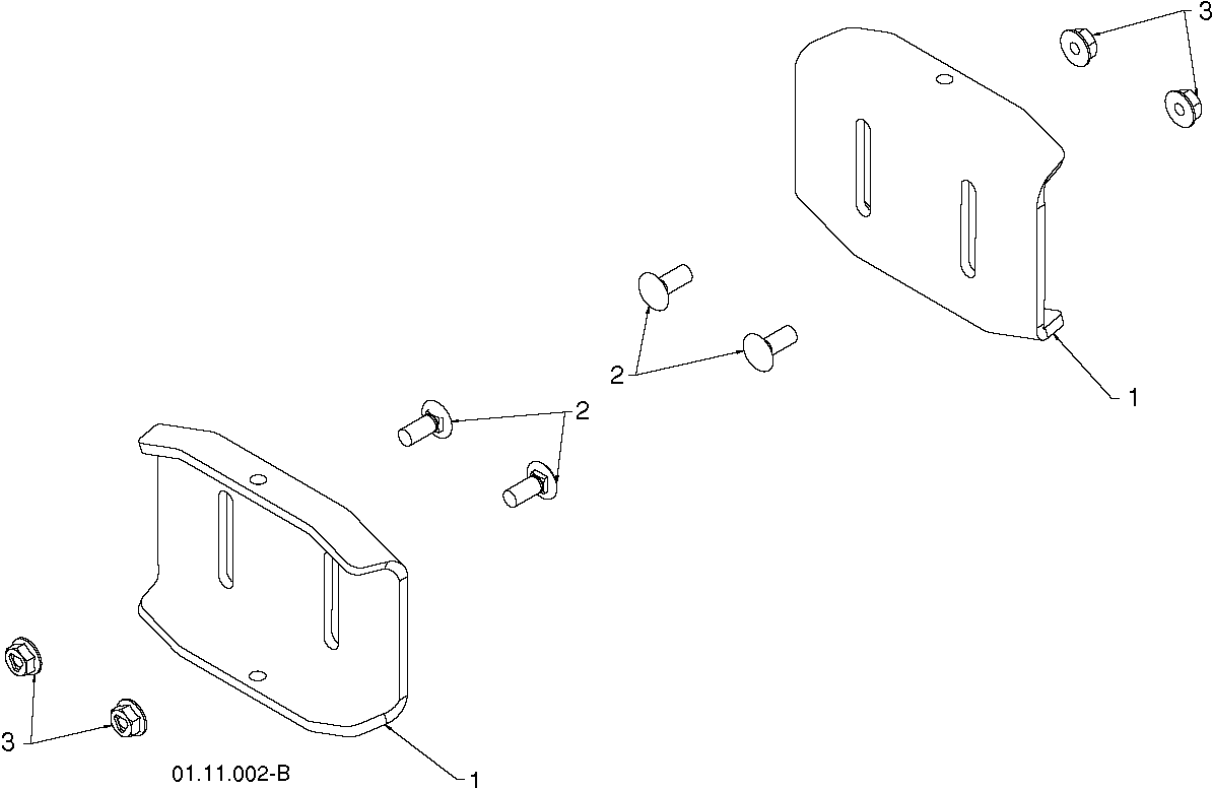
Ref	Part No	Description	Remark	QTY KIT
1	532 18 41-05	IMPELLER ASSEMBLY		1
2	532 42 71-48	GEARBOX ASSEMBLY		1
3	532 18 89-09	BEARING		1
4	532 42 71-46	PULLEY		1
5	532 44 24-38	CHUTE		1
6	532 18 40-95	PLATE		1
7	532 19 21-99	TOOL.CLEAN.OUT		1
8	532 40 54-00	CLAMP		1
9	873 80 04-00	NUT		1
10	874 78 04-26	SCREW		1
11	532 16 67-85	NUT		1
12	532 16 31-83	BOLT		1
13	532 42 71-45	HUB		1
14	532 42 71-54	SLEEVE		1
15	532 14 52-12	NUT		1
16	532 18 03-55	BOLT		1
17	532 19 41-89	SCREW		1
18	532 40 77-60	PLUG		1
19	532 42 73-02	COVER	RH	1
20	532 42 73-45	GASKET		1
21	532 40 77-70	SEALING		1
22	532 40 77-62	BUSHING		1
23	532 17 46-97	WASHER		1
24	532 40 77-63	GEAR		1
25	532 40 77-64	SHAFT		1
26	532 18 92-82	KEY		1
27	532 40 77-58	BUSHING		1
28	532 17 46-83	WASHER		1
29	532 42 71-47	SHAFT		1
30	532 18 42-05	PIN		1
31	532 17 46-81	WASHER		1
32	532 17 46-84	BEARING		1
33	532 40 77-69	BUSHING		1
34	532 40 77-68	O-RING		1
35	532 40 77-67	SCREW		1
36	532 42 73-17	COVER	LH	1
37	532 19 20-90	BOLT		1



## AUGER HOUSING &amp; IMPELLER

ST 261E, 96191003002, 2011-05

Ref	Part No	Description	Remark	QTY KIT
1	532 18 81-70	HOLDER		1
2	532 43 06-91	BALL BEARING		1
3	532 17 95-82	SCREW		1
4	874 78 04-26	SCREW		1
5	873 80 04-00	NUT		1

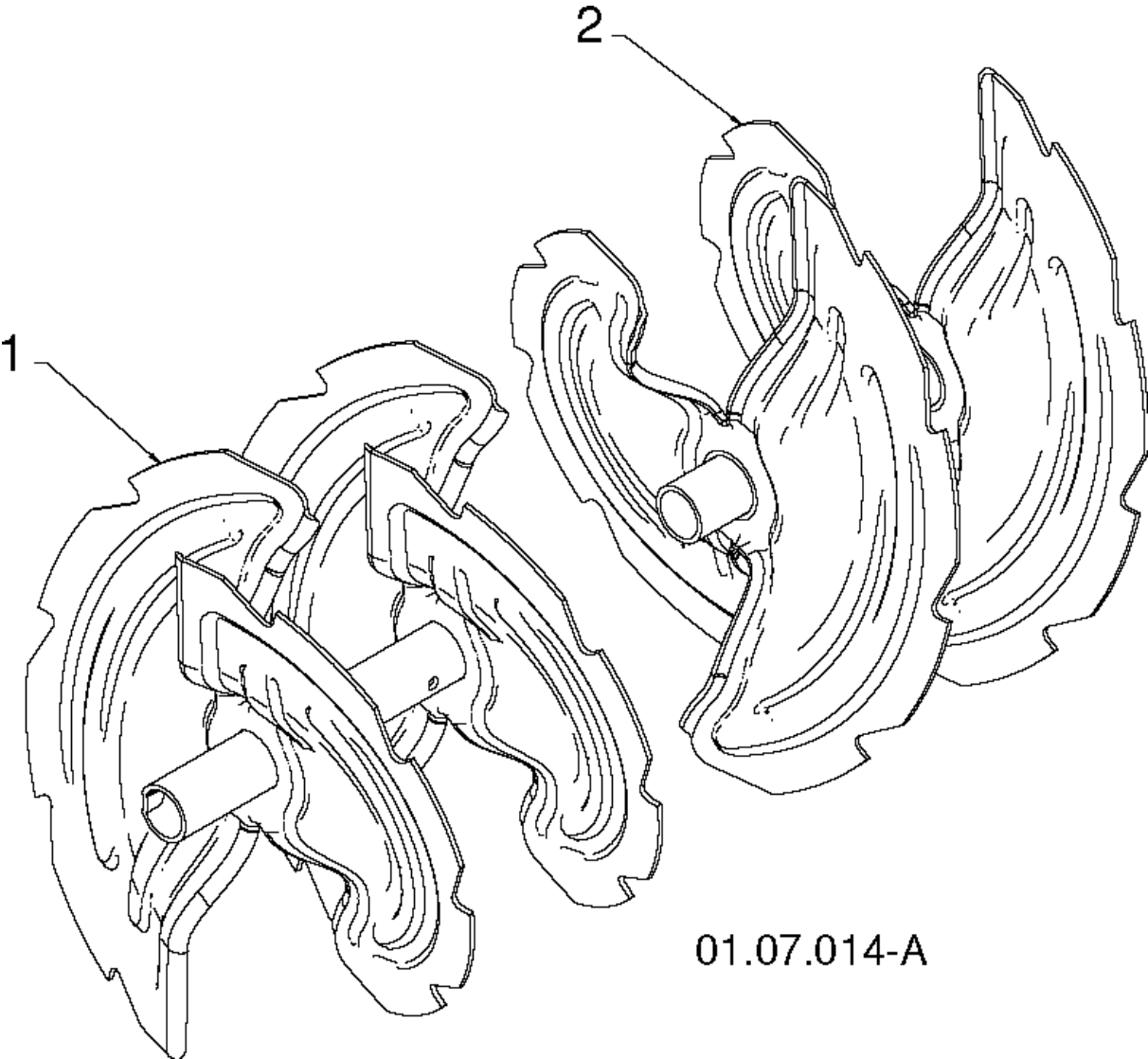




## AUGER HOUSING &amp; IMPELLER

ST 261E, 96191003002, 2011-05

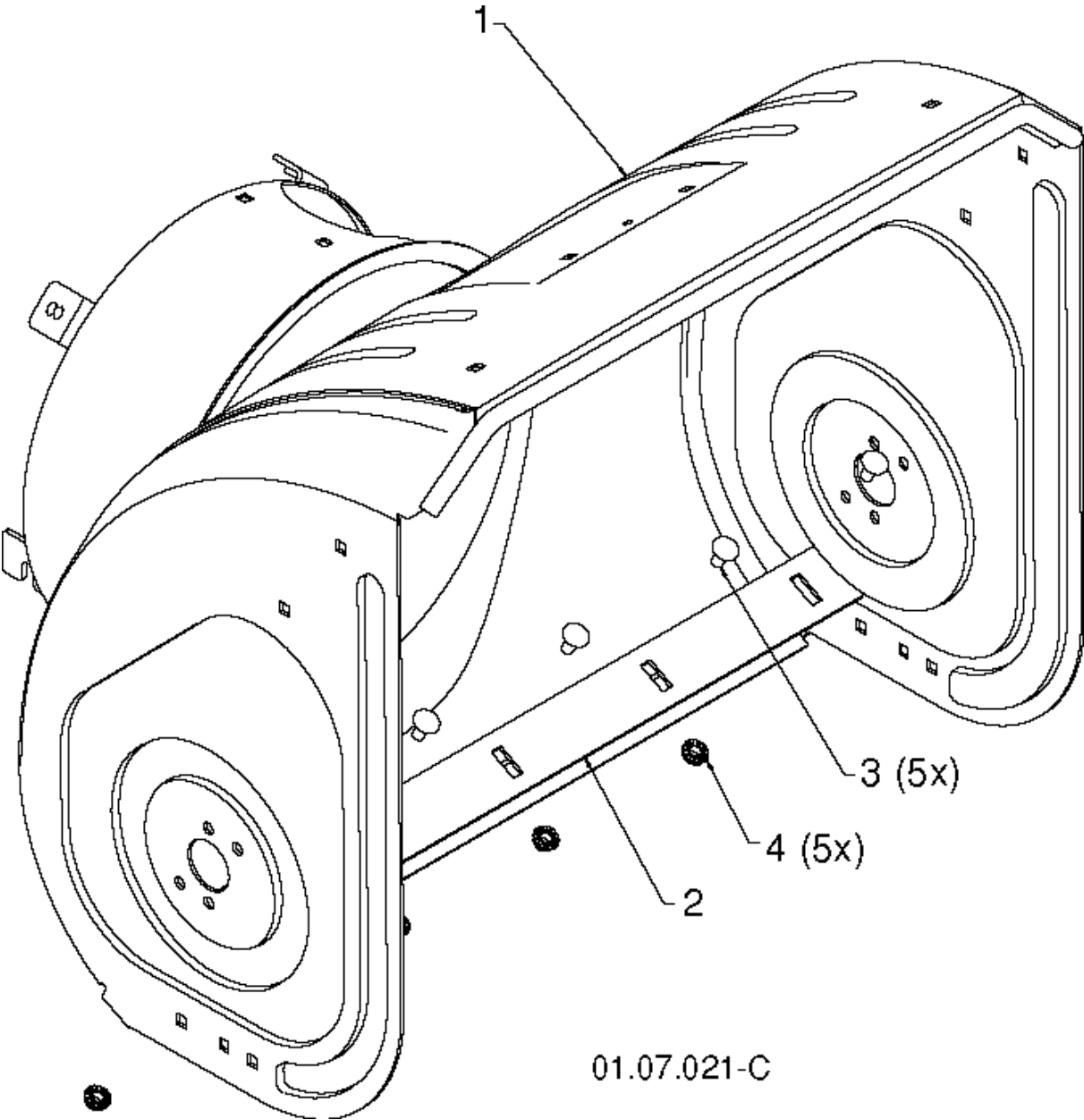
Ref	Part No	Description	Remark	QTY KIT
1	532 40 78-34	SKID PLATE		1
2	872 27 05-06	BOLT		1
3	532 75 11-53	LOCKNUT 5/16-18 RL550HVA		1



## AUGER HOUSING &amp; IMPELLER

ST 261E, 96191003002, 2011-05

Ref	Part No	Description	Remark	QTY KIT
1	532 42 21-03	AUGER	LH	1
2	532 42 21-04	AUGER	RH	1

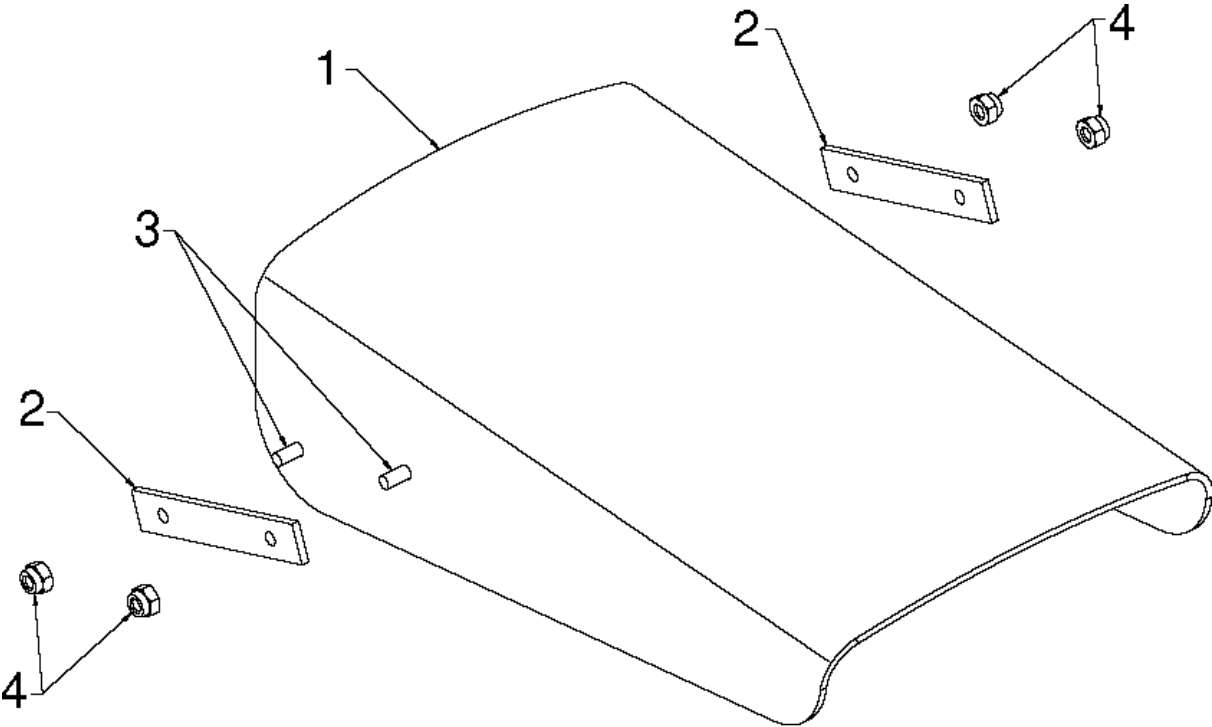


01.07.021-C

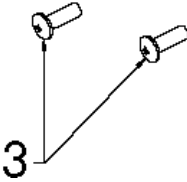
## AUGER HOUSING &amp; IMPELLER

ST 261E, 96191003002, 2011-05

Ref	Part No	Description	Remark	QTY KIT
1	532 42 93-45	HOUSING		1
2	532 40 78-25	BAR		1
3	872 27 05-05	BOLT		1
4	532 15 53-77	NUT		1



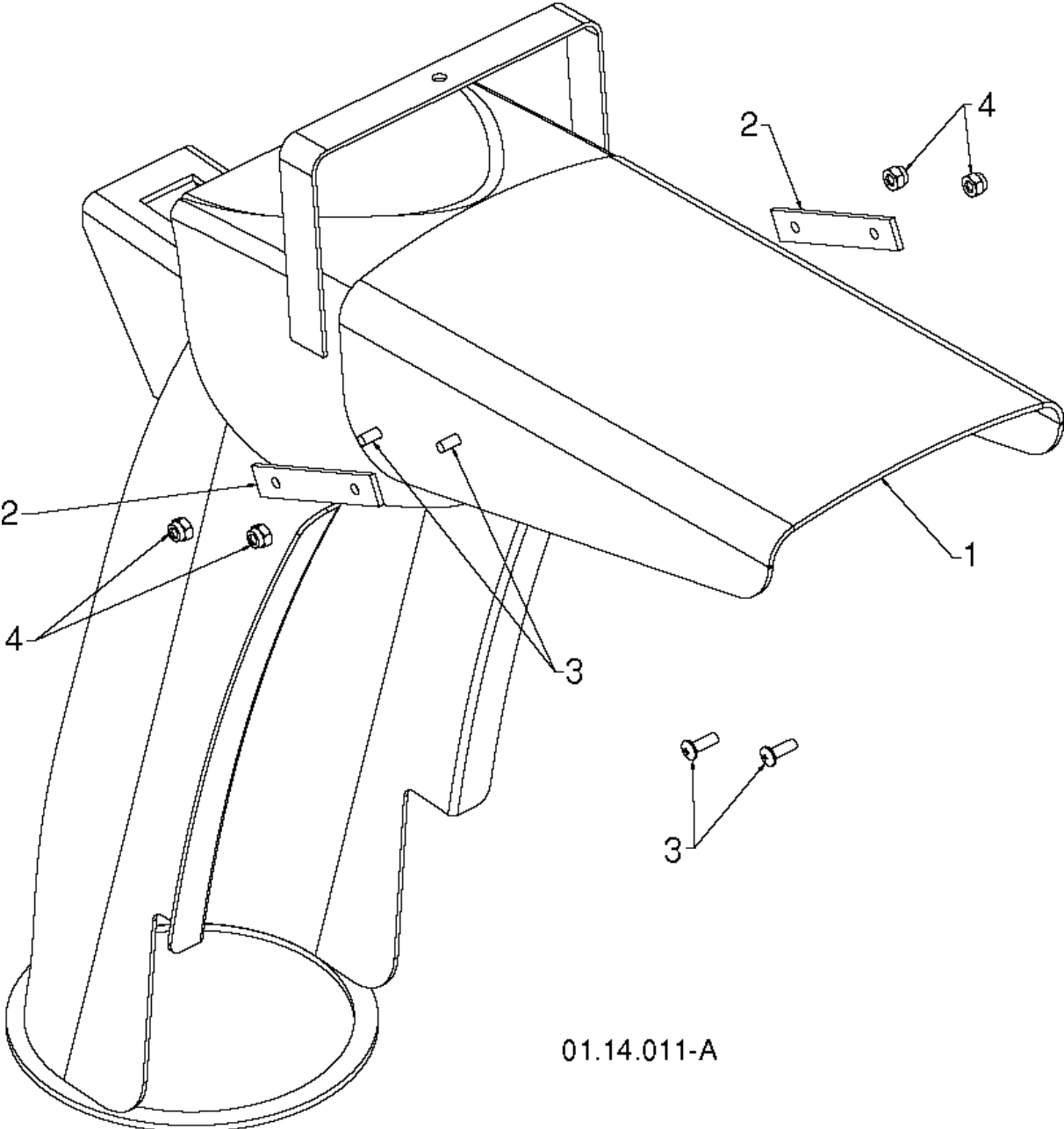
01.09.009-A



CONTROL PANEL & DISCHARGE CHUTE

ST 261E, 96191003002, 2011-05

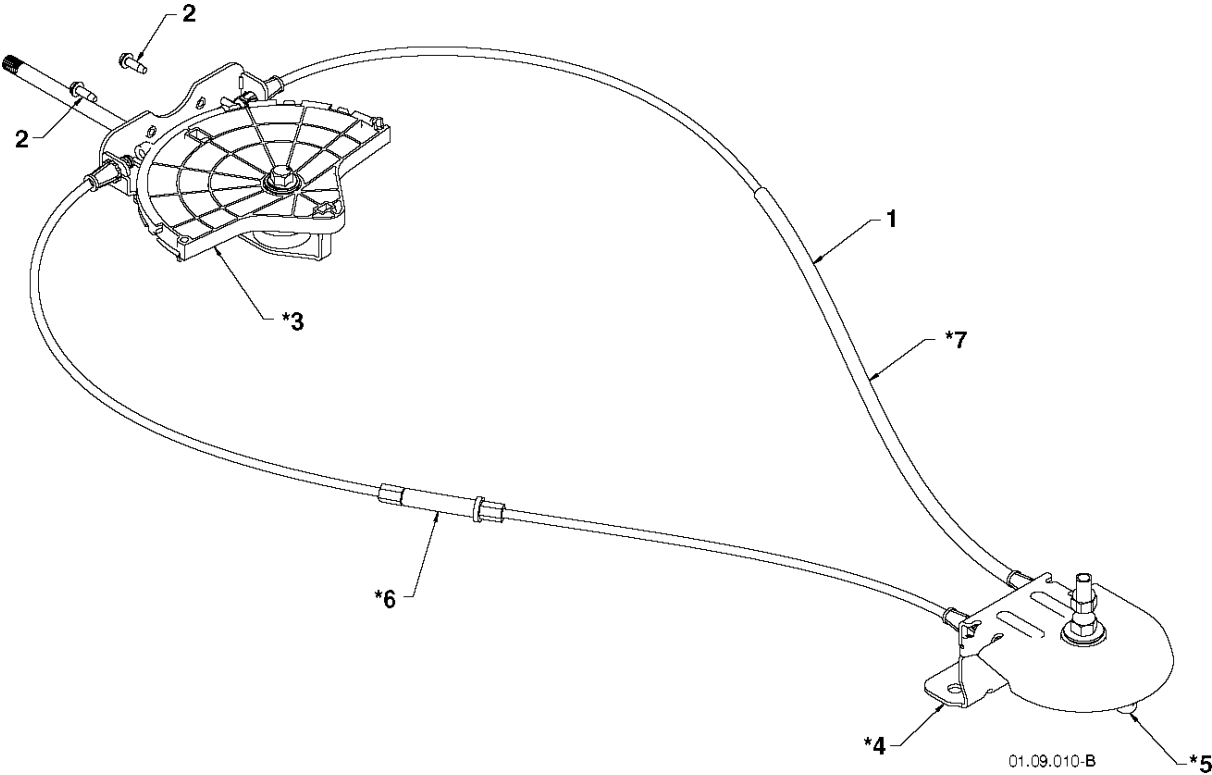
Ref	Part No	Description	Remark	QTY KIT
1	532 42 11-38	SHIELD		1
2	532 42 32-47	STRAP		1
3	532 18 22-27	SCREW		1
4	532 18 22-28	NUT		1



01.14.011-A



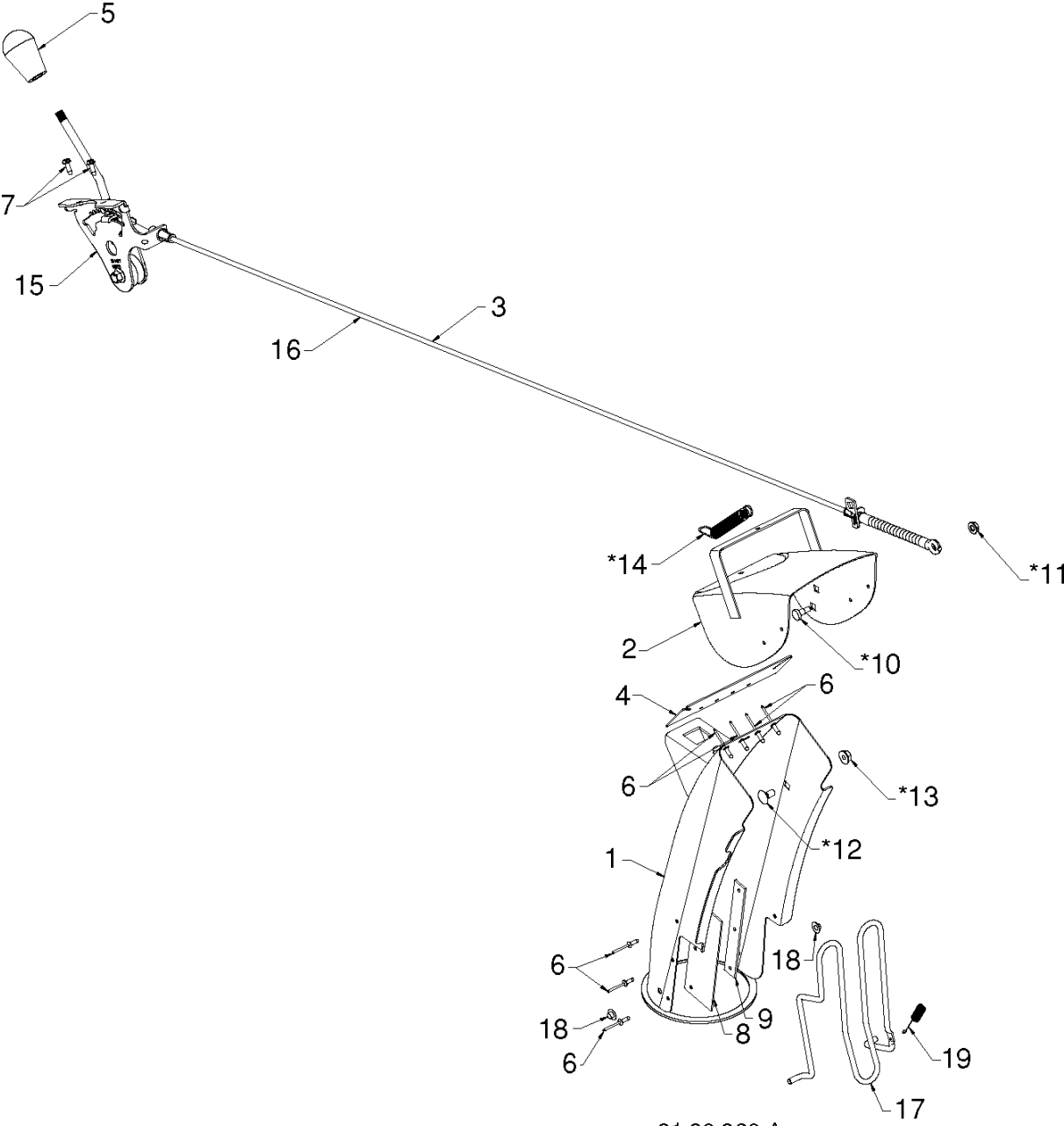
Ref	Part No	Description	Remark	QTY KIT
1	532 42 11-38	SHIELD		1
2	532 43 58-31	STRAP		1
3	532 18 22-27	SCREW		1
4	532 18 22-28	NUT		1



CONTROL PANEL & DISCHARGE CHUTE

ST 261E, 96191003002, 2011-05

Ref	Part No	Description	Remark	QTY KIT
1	532 42 82-72	LEVER		1
2	817 50 10-10	SCREW		1
*3	532 42 06-78	BRACKET		1
*4	532 40 59-32	BRACKET		1
*5	532 42 06-75	PULLEY		1
*6	532 42 82-73	CABLE ASSY		1
*7	532 42 83-10	CABLE ASSY		1

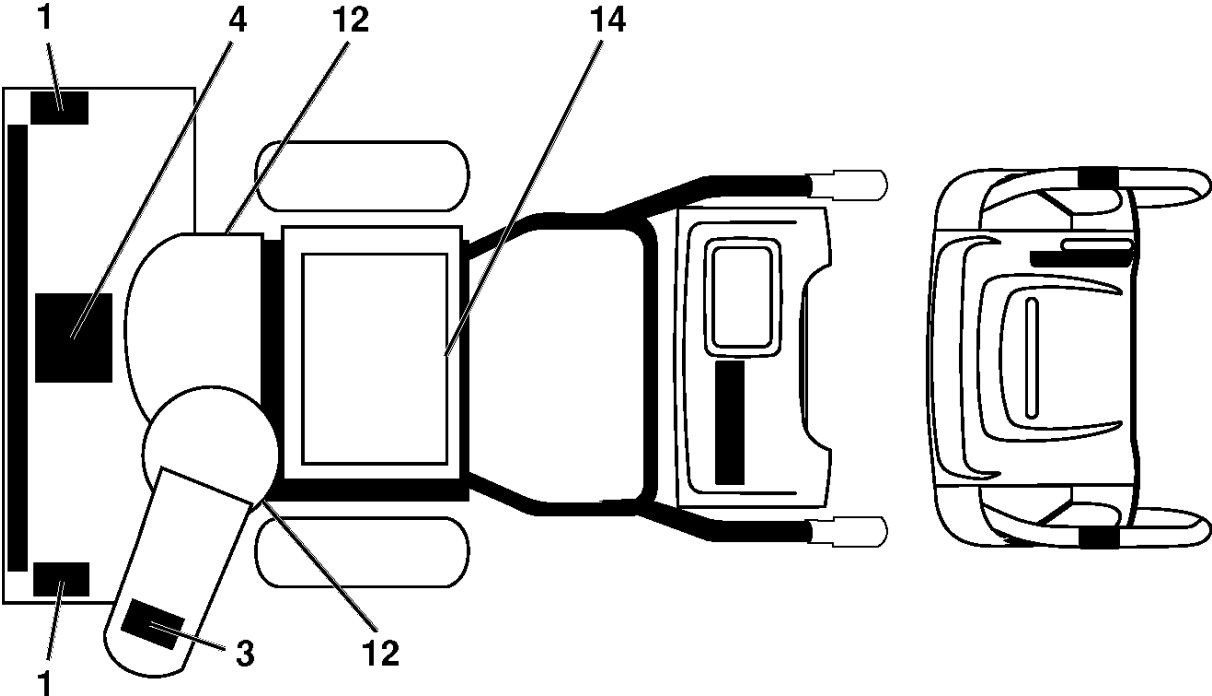


01.09.028-A

## CONTROL PANEL &amp; DISCHARGE CHUTE

ST 261E, 96191003002, 2011-05

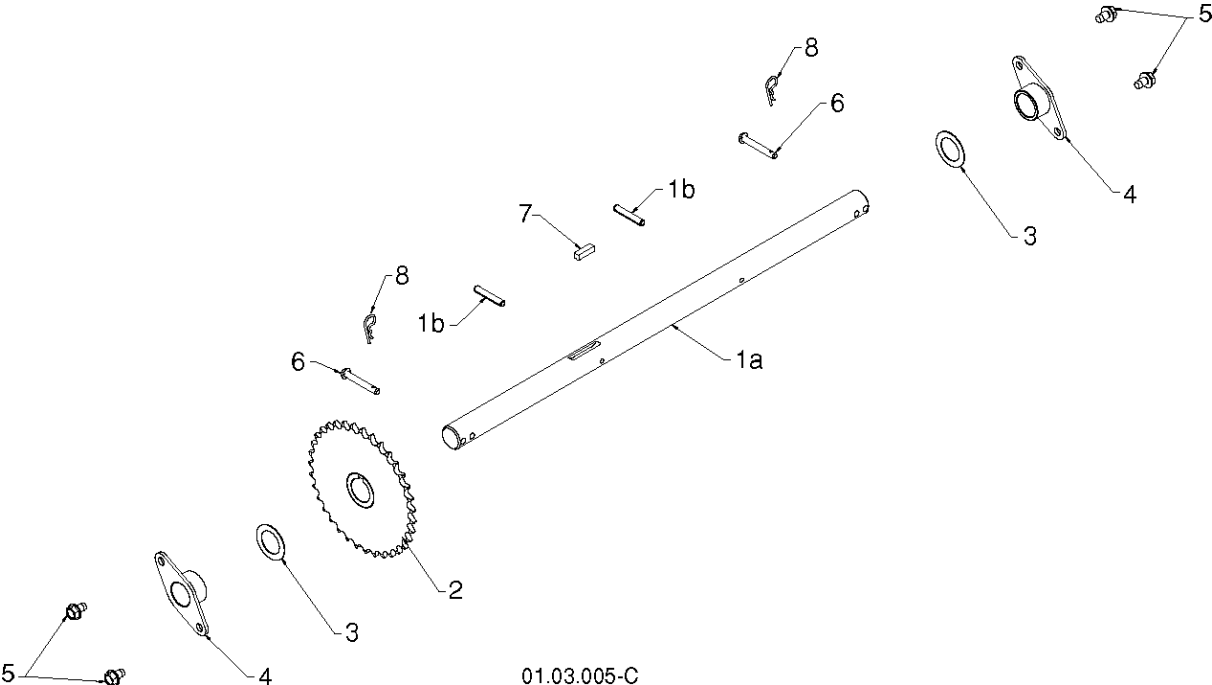
Ref	Part No	Description	Remark	QTY KIT
1	532 44 40-41	CHUTE ASSY		1
2	532 18 41-13	DEFLECTOR		1
3	532 42 06-73	CONTROL		1
4	532 42 03-25	SEAL		1
5	532 41 42-80	KNOB		1
6	532 12 84-15	RIVET		1
7	817 50 10-10	SCREW		1
8	532 43 03-24	SHIELD		1
9	532 42 17-28	BRACKET		1
*10	532 17 98-29	BOLT		1
*11	532 19 17-30	NUT		1
*12	872 25 05-05	BOLT		1
*13	532 75 11-53	LOCKNUT 5/16-18 RL550HVA		1
*14	532 18 45-05	SPRING		1
15	532 42 06-79	CONTROL UNIT		1
16	532 42 06-72	CONTROL CABLE		1
17	532 43 55-82	GUARD		1
18	532 05 93-49	NUT		1
19	532 43 56-16	SPRING		1



DECALS

ST 261E, 96191003002, 2011-05

Ref	Part No	Description	Remark	QTY KIT
1	532 19 96-83	LABEL		1
3	532 19 96-82	LABEL		1
4	532 18 40-45	DECAL		1
12	532 18 40-28	DECAL		1
14	532 18 04-33	DECAL		1



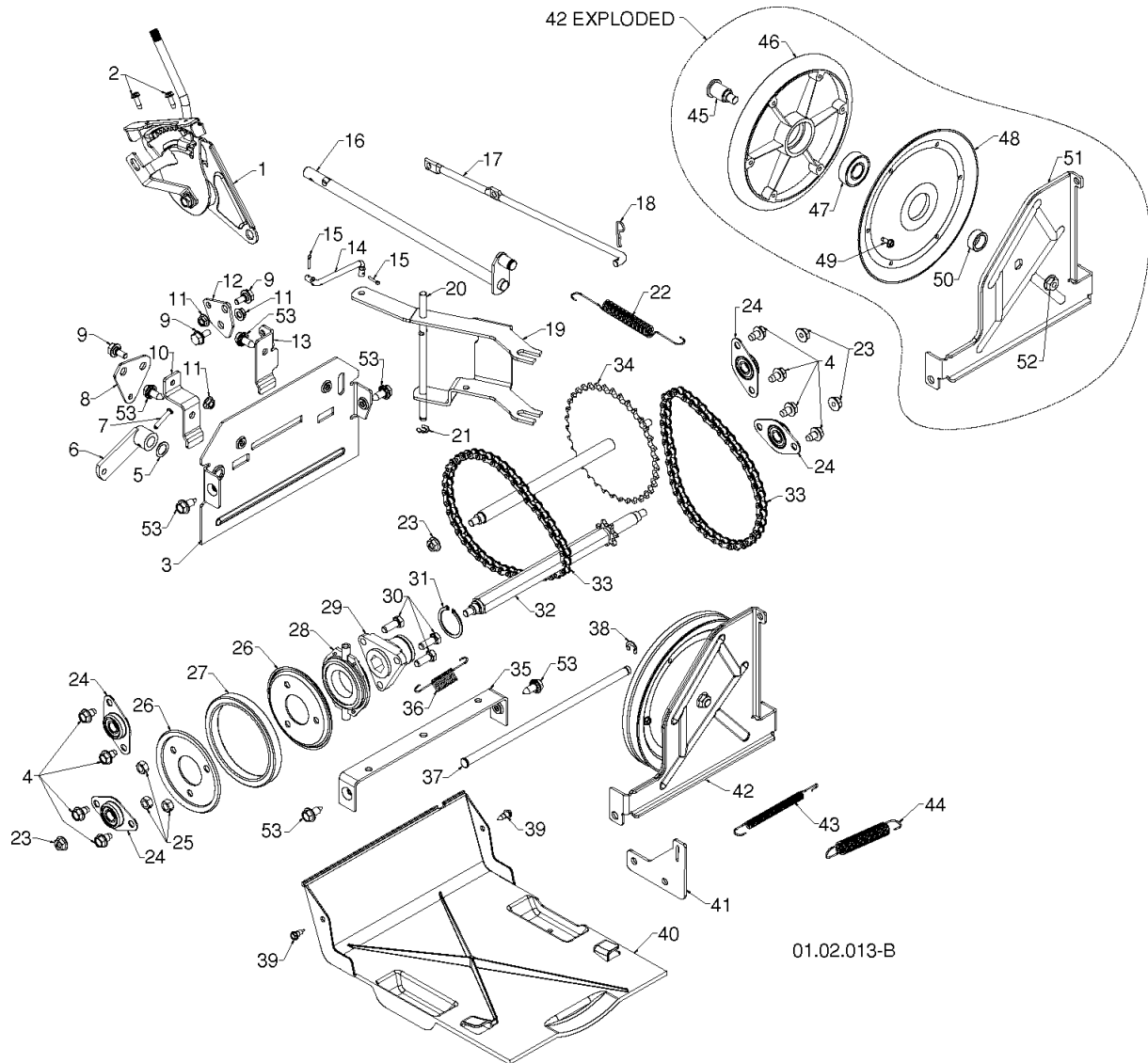
01.03.005-C



## DRIVE

ST 261E, 96191003002, 2011-05

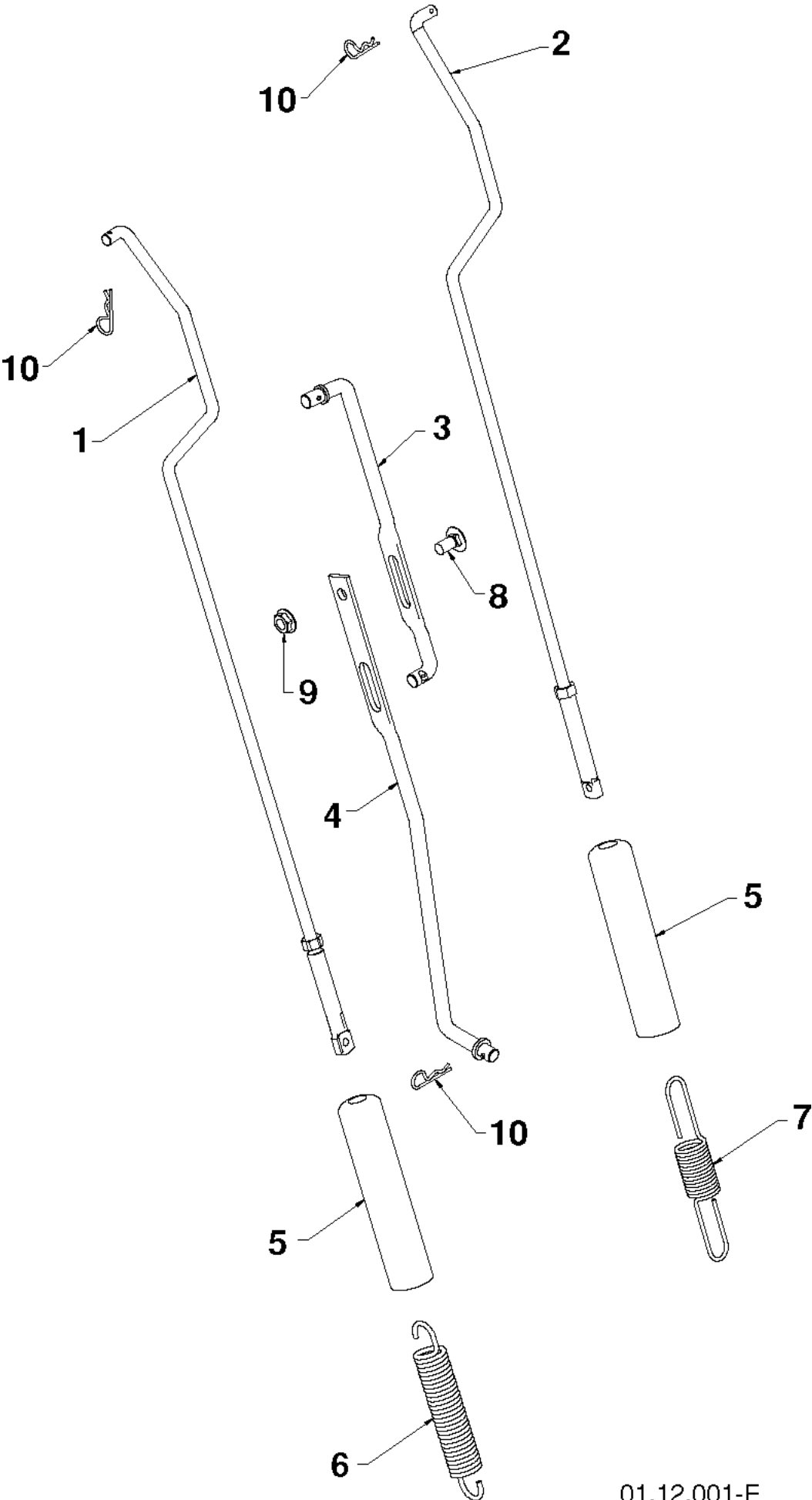
Ref	Part No	Description	Remark	QTY KIT
1	532 18 82-26	AXLE	"assy of 1a,1b"	1
1a	532 17 93-52	SHAFT		1
1b	532 18 42-06	PIN		1
2	532 40 26-91	GEAR WHEEL		1
3	532 17 46-97	WASHER		1
4	532 17 98-30	BEARING		1
5	817 49 05-08	SCREW		1
6	532 17 12-71	RIVET		1
7	532 18 92-82	KEY		1
8	532 12 47-88	RETAINING RING		1



## DRIVE

ST 261E, 96191003002, 2011-05

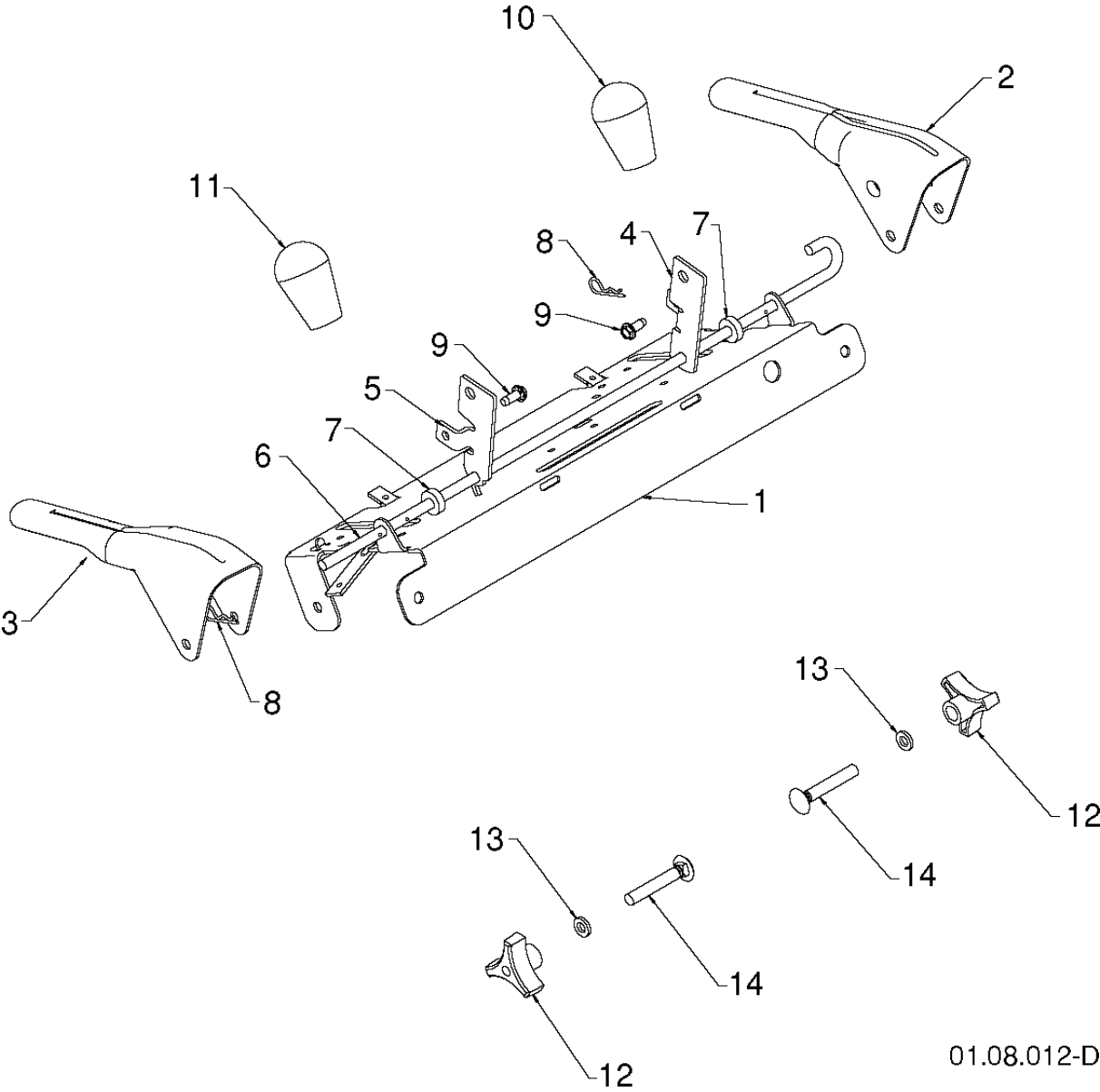
Ref	Part No	Description	Remark	QTY KIT
1	532 19 88-75	LEVER		1
2	817 50 10-10	SCREW		1
3	532 43 60-80	PLATE		1
4	817 49 05-08	SCREW		1
5	532 05 70-79	WASHER		1
6	532 40 54-85	ARM		1
7	532 19 85-80	PIN		1
8	532 41 54-50	PLATE		1
9	532 40 28-81	BOLT		1
10	532 41 54-33	LEVER		1
11	532 19 17-30	NUT		1
12	532 41 54-35	PLATE		1
13	532 41 68-64	BRACKET		1
14	532 18 71-01	LINK		1
15	532 70 02-79	CLIPS		1
16	532 42 75-42	SHAFT		1
17	532 40 25-68	ROD		1
18	532 16 96-75	PIN RETAINING SCREW		1
19	532 40 17-32	LEVER		1
20	532 40 23-10	PIVOT		1
21	812 00 00-36	RETAINING RING		1
22	532 40 28-78	SPRING		1
23	532 75 11-53	LOCKNUT 5/16-18 RL550HVA		1
24	532 40 89-81	BEARING		1
25	873 93 05-00	NUT		1
26	532 19 95-09	PLATE		1
27	532 44 06-20	DRIVING WHEEL		1
28	532 17 53-44	BEARING		1
29	532 17 86-13	HUB		1
30	874 76 05-14	BOLT		1
31	812 00 00-12	RETAINER RING		1
32	532 40 21-87	SHAFT		1
33	532 40 16-19	CHAIN		1
34	532 43 73-03	SPROCKET		1
35	532 41 54-29	BRACKET		1
36	532 18 01-35	SPRING		1
37	532 40 26-52	PIVOT		1
38	532 42 82-88	E-RING		1
39	532 18 44-71	SCREW		1
40	532 41 08-77	PLATE		1
41	532 41 66-82	BRACKET		1
42	532 40 26-89	PLATE		1
43	532 41 45-57	SPRING		1
44	532 17 88-28	SPRING		1
45	532 40 25-04	SHAFT		1
46	532 40 18-20	PLATE		1
47	532 19 87-91	BALL BEARING		1
48	532 40 23-93	PULLEY		1
49	817 54 10-08	SCREW		1
50	532 40 25-11	SPACER		1
51	532 42 29-41	PLATE		1
52	532 13 20-10	NUT		1
53	532 42 88-67	BOLT		1



HANDLE

ST 261E, 96191003002, 2011-05

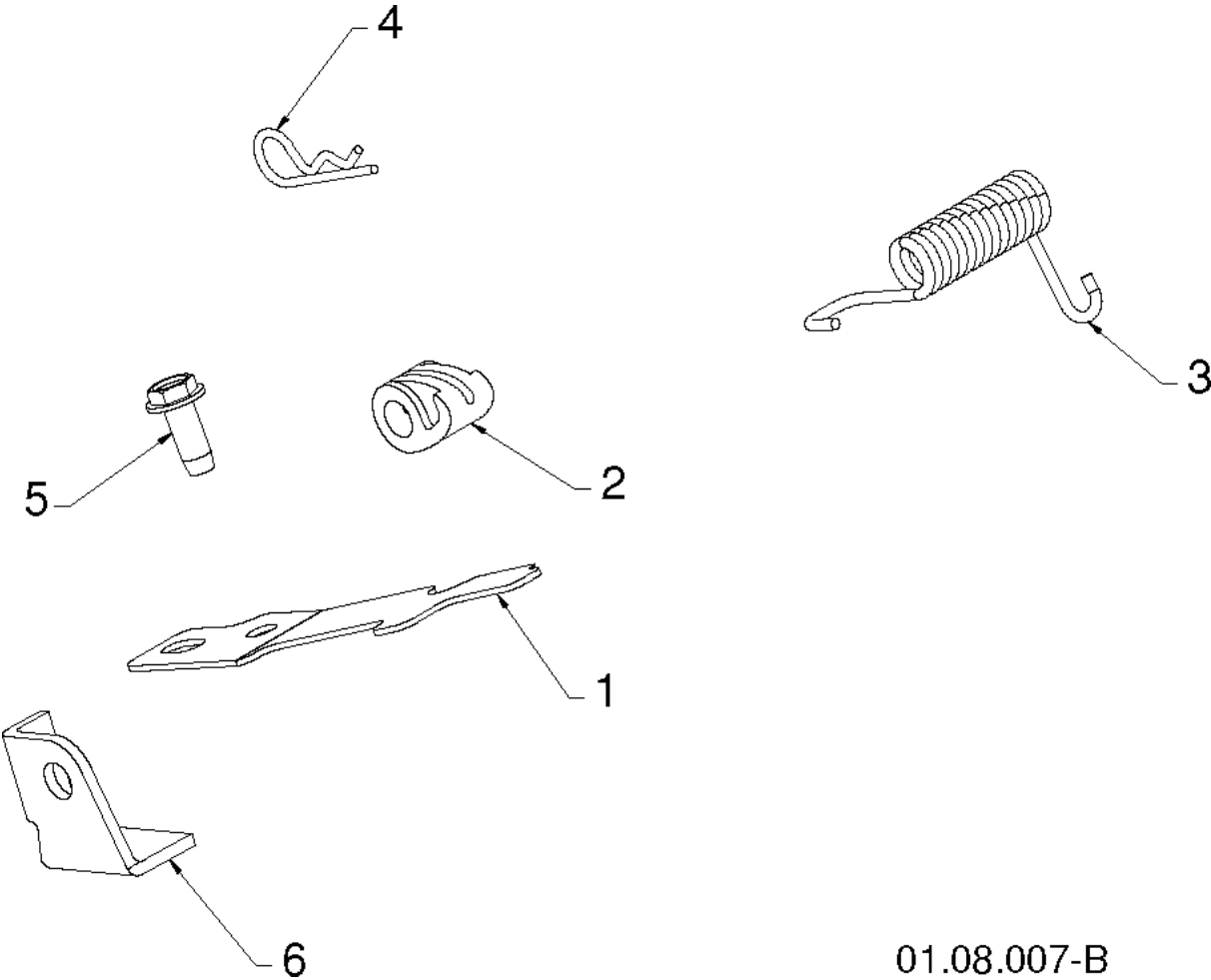
Ref	Part No	Description	Remark	QTY KIT
1	532 18 04-80	ROD		1
2	532 40 57-40	ROD		1
3	532 18 04-45	LEVER		1
4	532 18 77-16	ROD		1
5	532 18 04-47	SLEEVE, SPRING		1
6	532 17 86-69	SPRING		1
7	532 18 09-26	SPRING		1
8	872 27 05-05	BOLT		1
9	532 15 53-77	NUT		1
10	532 16 96-75	PIN RETAINING SCREW		1



HANDLE

ST 261E, 96191003002, 2011-05

Ref	Part No	Description	Remark	QTY KIT
1	532 41 55-39	PANEL		1
2	532 42 91-50	LEVER	LH	1
3	532 42 91-51	LEVER	RH	1
4	532 41 55-46	ARM		1
5	532 42 90-98	ARM		1
6	532 41 26-77	ROD		1
7	532 42 16-13	SPACER		1
8	532 16 96-75	PIN RETAINING SCREW		1
9	817 06 04-10	SCREW		1
10	532 41 42-80	KNOB		1
11	532 41 42-81	KNOB		1
12	532 17 88-99	KNOB		1
13	819 13 13-16	WASHER		1
14	872 12 06-18	BOLT		1



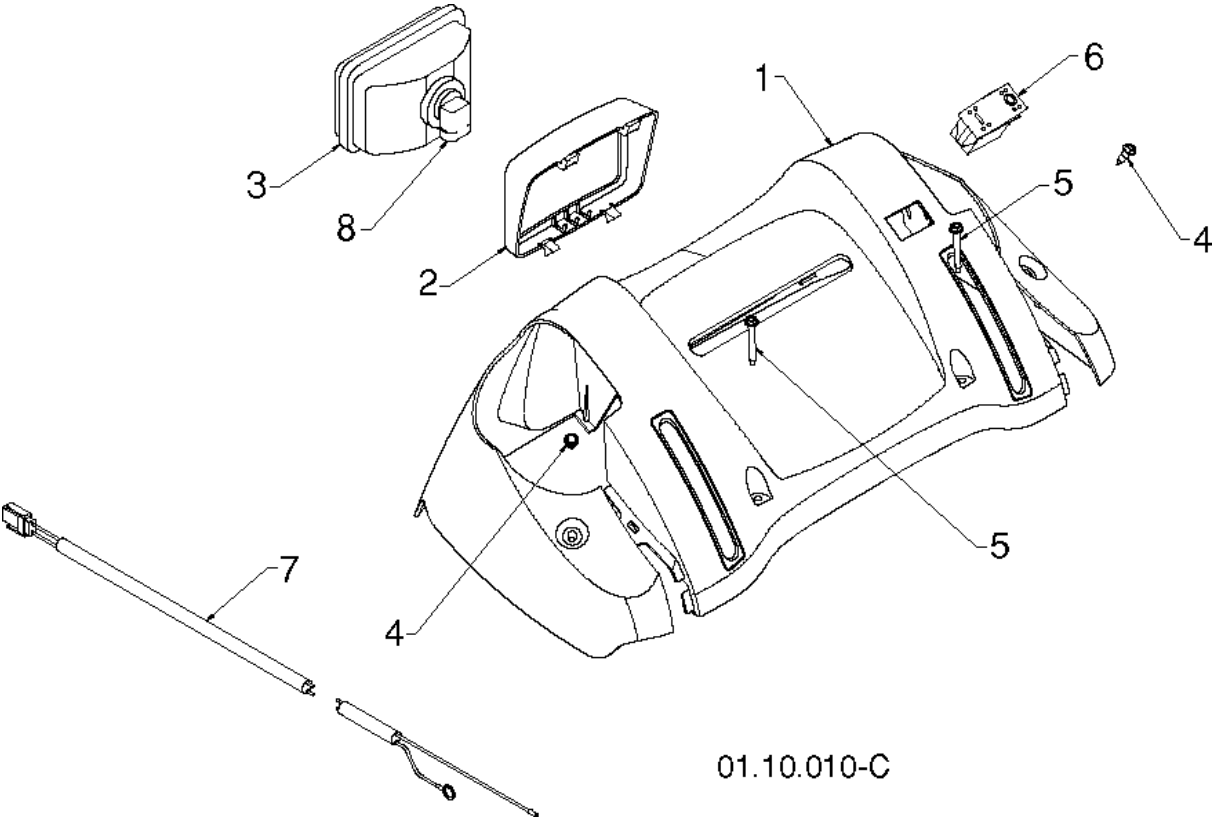
01.08.007-B



HANDLE

ST 261E, 96191003002, 2011-05

Ref	Part No	Description	Remark	QTY KIT
1	532 41 62-88	SPRING		1
2	532 41 45-72	BRACKET		1
3	532 17 88-31	SPRING		1
4	532 16 96-75	PIN RETAINING SCREW		1
5	817 06 04-10	SCREW		1
6	532 42 18-14	BRACKET		1

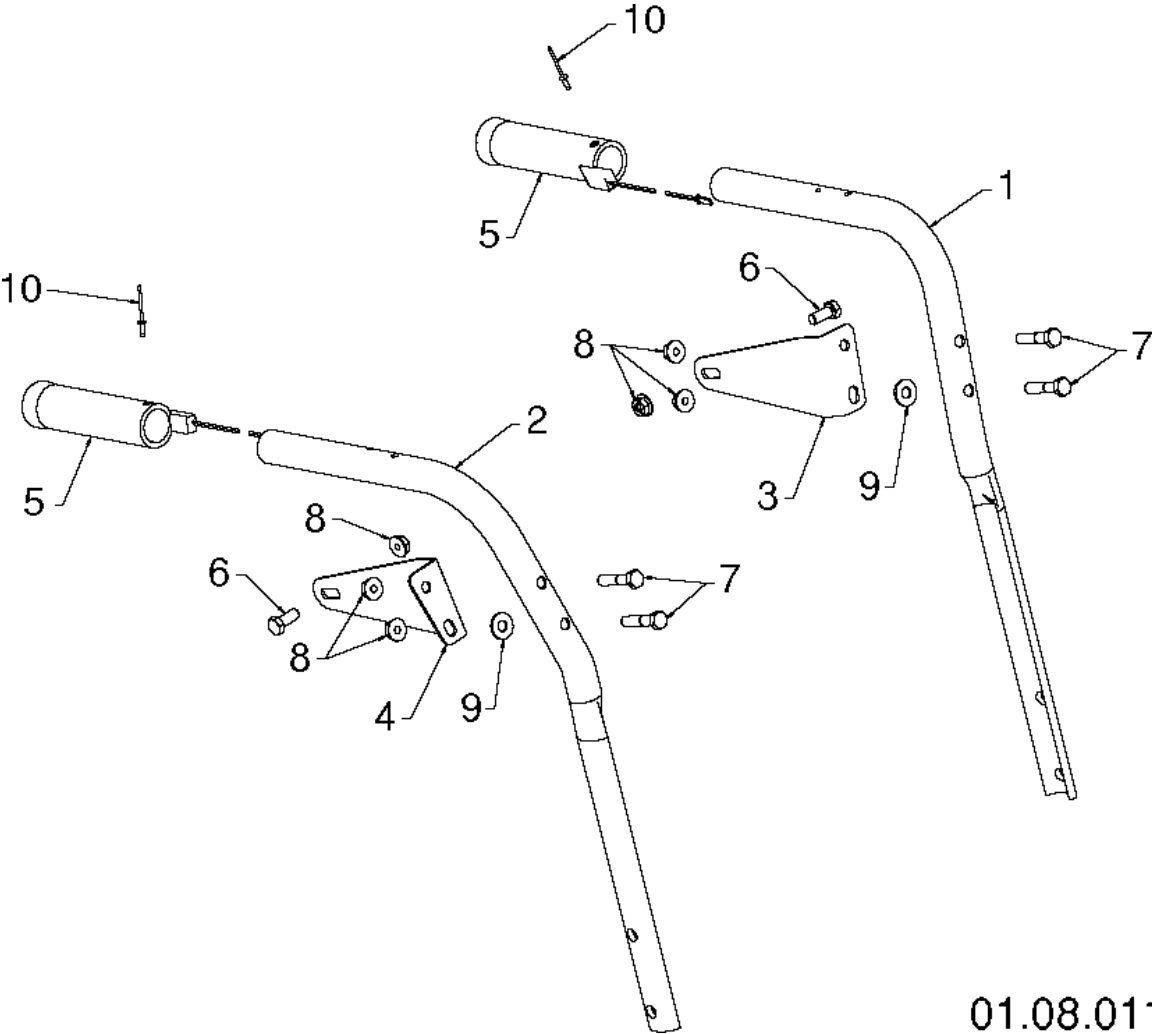


01.10.010-C

HANDLE

ST 261E, 96191003002, 2011-05

Ref	Part No	Description	Remark	QTY KIT
1	532 42 13-51	CONSOLE		1
2	532 42 14-48	FRAME		1
3	532 17 86-66	HEADLIGHT, HALOGEN		1
4	532 18 44-71	SCREW		1
5	532 17 52-62	PAN HEAD TAPPING SCREW		1
6	532 41 77-60	SWITCH		1
7	532 40 56-99	HARNES, HEADLIGHT(HALOGEN)		1
8	532 40 16-20	BULB		1

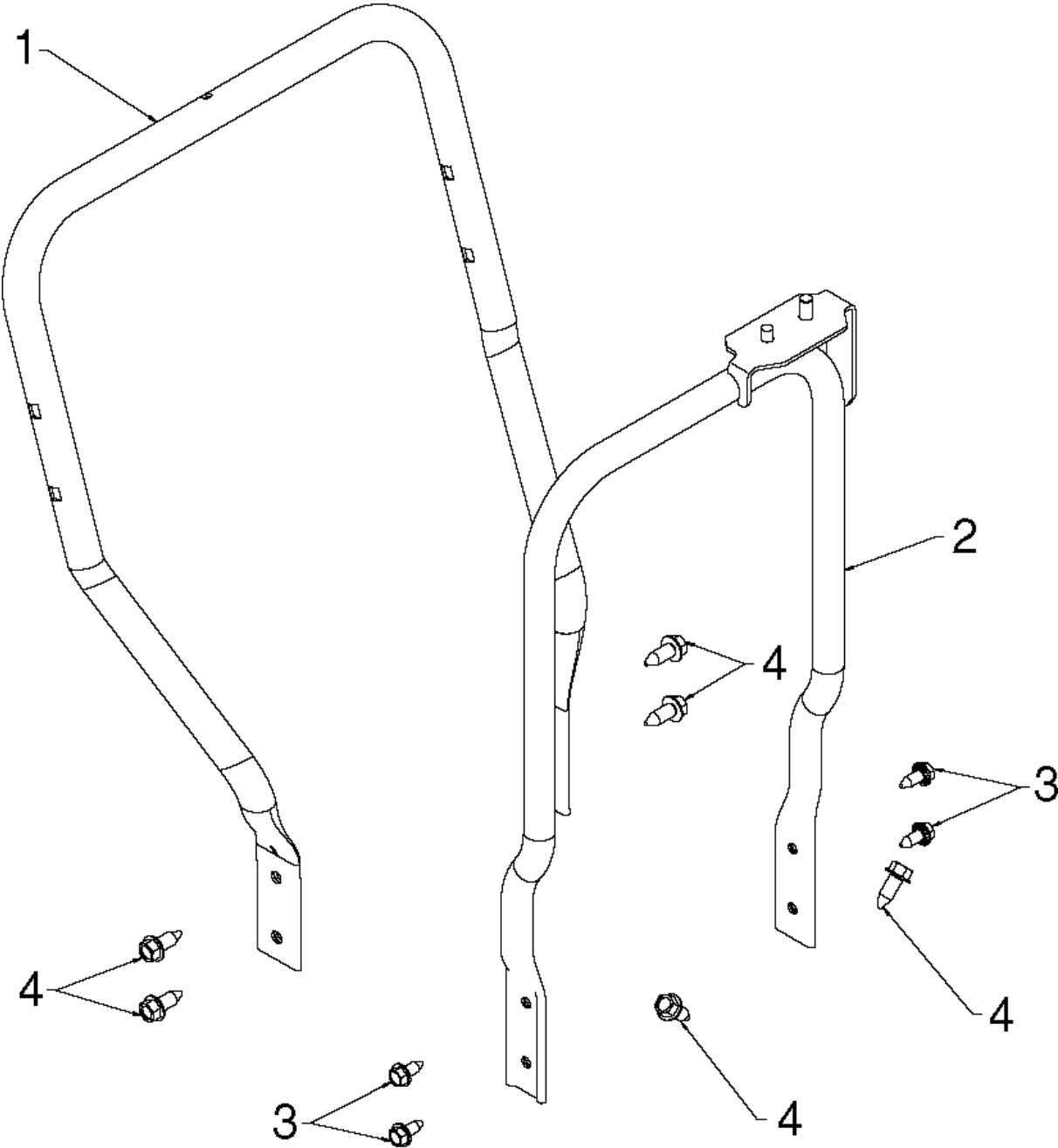


01.08.011-A

HANDLE

ST 261E, 96191003002, 2011-05

Ref	Part No	Description	Remark	QTY KIT
1	532 42 17-08	HANDLE	LH	1
2	532 42 17-09	HANDLE	RH	1
3	532 42 91-48	BRACKET	LH	1
4	532 42 91-49	BRACKET	RH	1
5	532 41 45-15	GRIP		1
6	874 78 05-12	SCREW		1
7	874 78 05-24	BOLT		1
8	532 75 11-53	LOCKNUT 5/16-18 RL550HVA		1
9	532 15 54-15	WASHER		1
10	532 17 87-75	POP RIVET		1

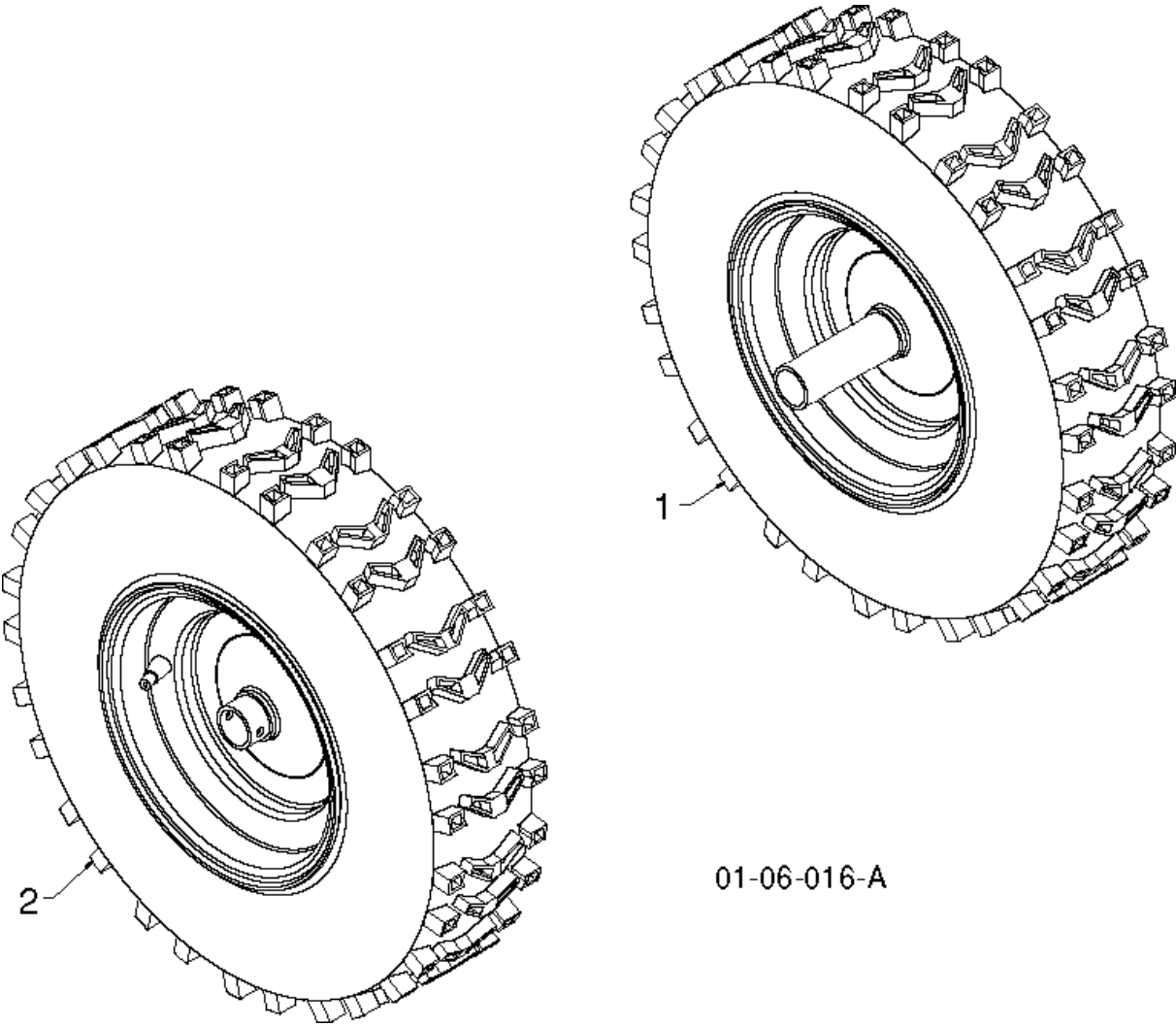


01.05.015-A

HANDLE

ST 261E, 96191003002, 2011-05

Ref	Part No	Description	Remark	QTY KIT
1	532 43 60-43	HANDLE		1
2	532 44 36-17	SUPPORT		1
3	532 42 88-67	BOLT		1
4	817 00 06-16	SCREW		1



01-06-016-A



## WHEELS &amp; TIRES

ST 261E, 96191003002, 2011-05

Ref	Part No	Description	Remark	QTY KIT
1	532 43 65-15	WHEEL	LH	1
2	532 43 65-16	WHEEL	RH	1