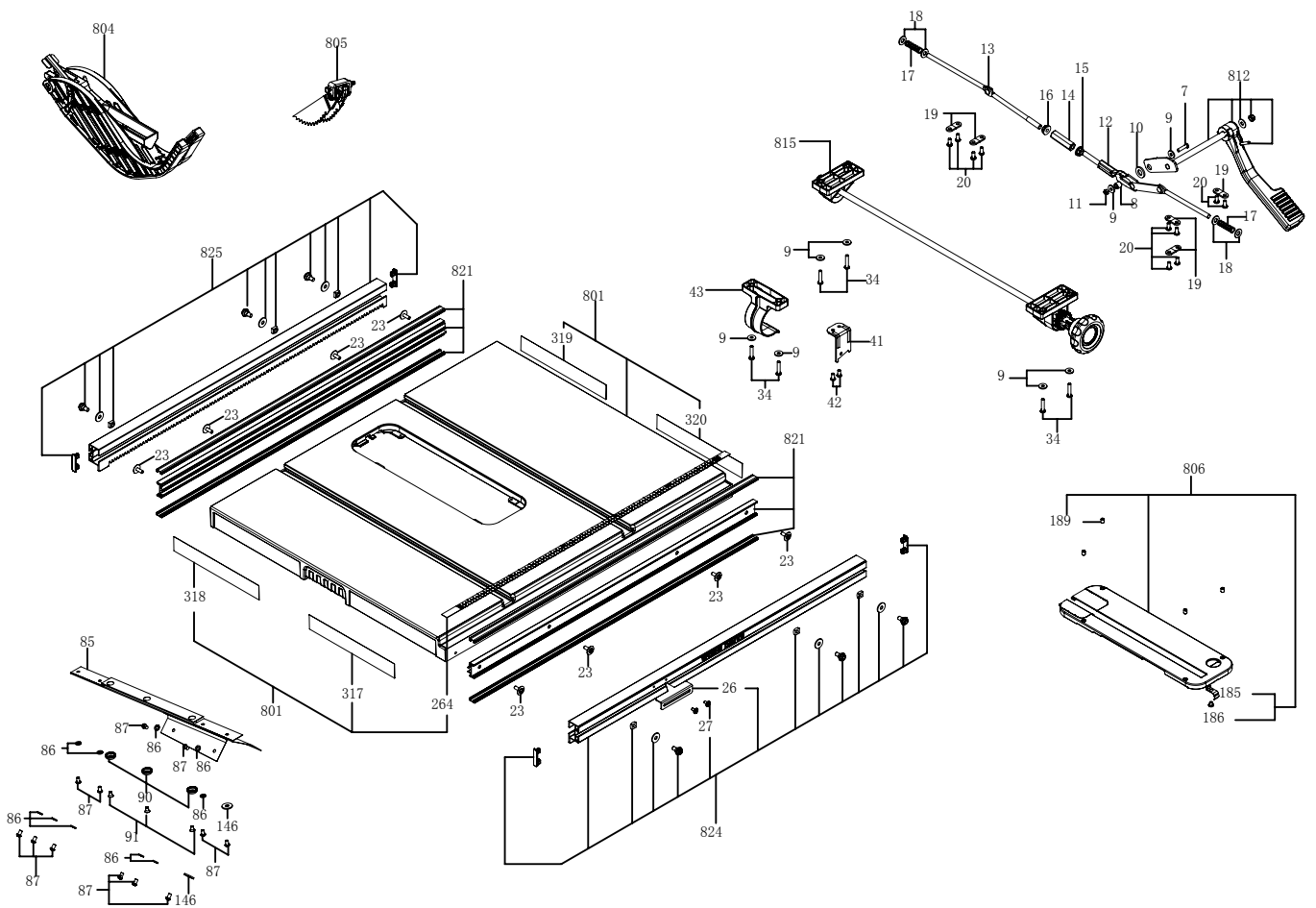


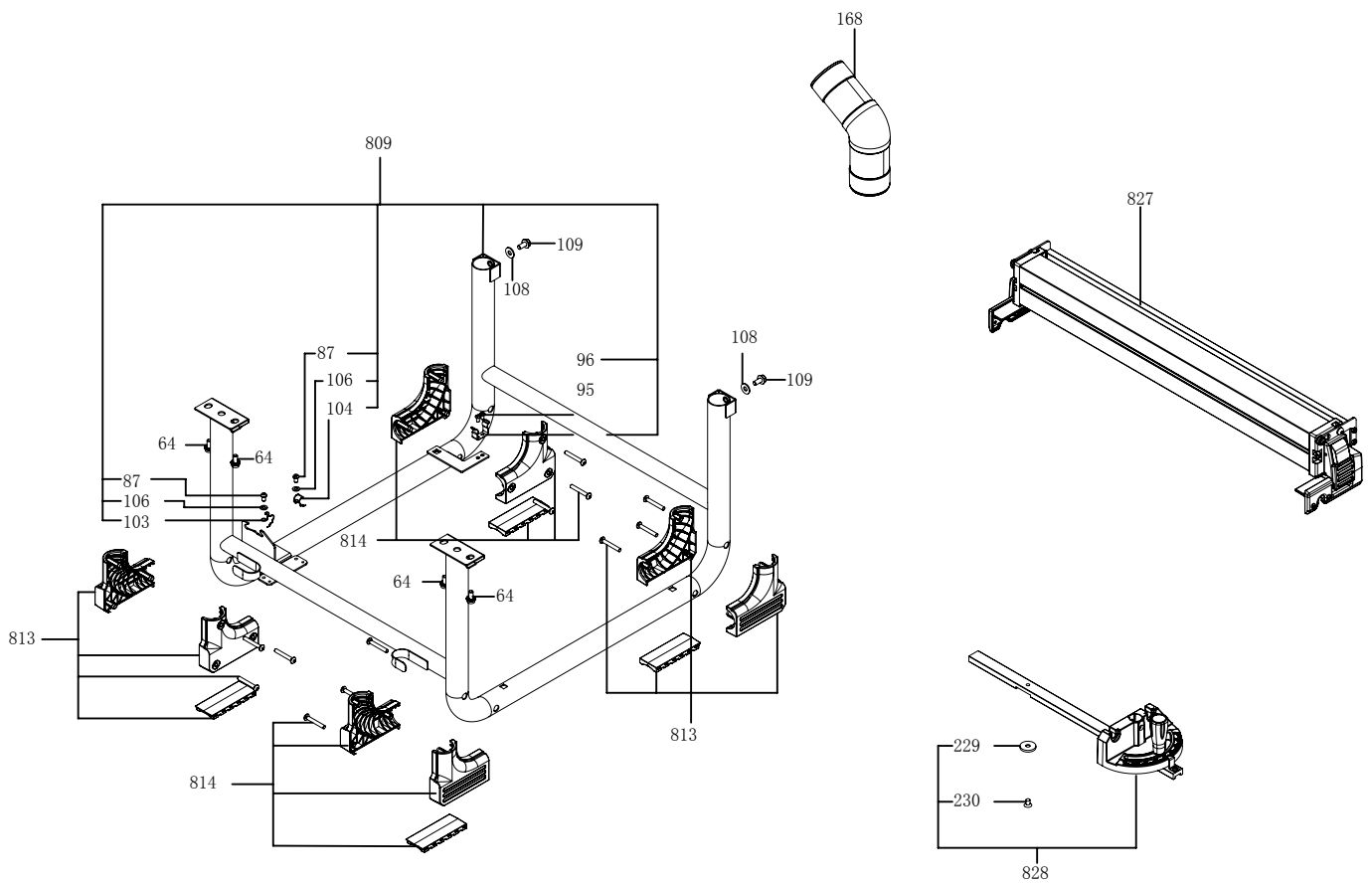


Product Description: Table Saw
Model Number: SPT99-11
Body Number: 0200008001
Version: B
Issue Date: 2020/03/19



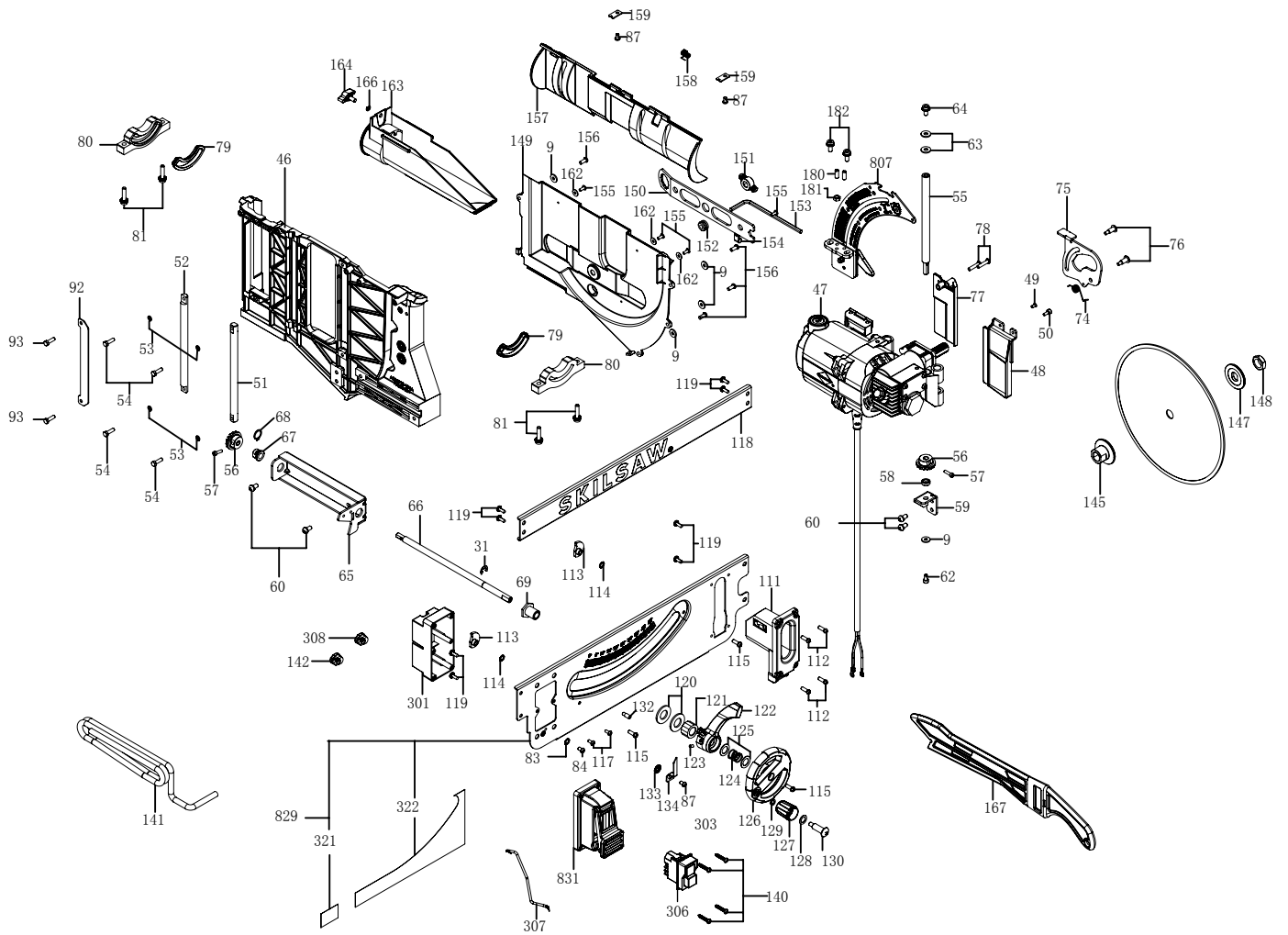


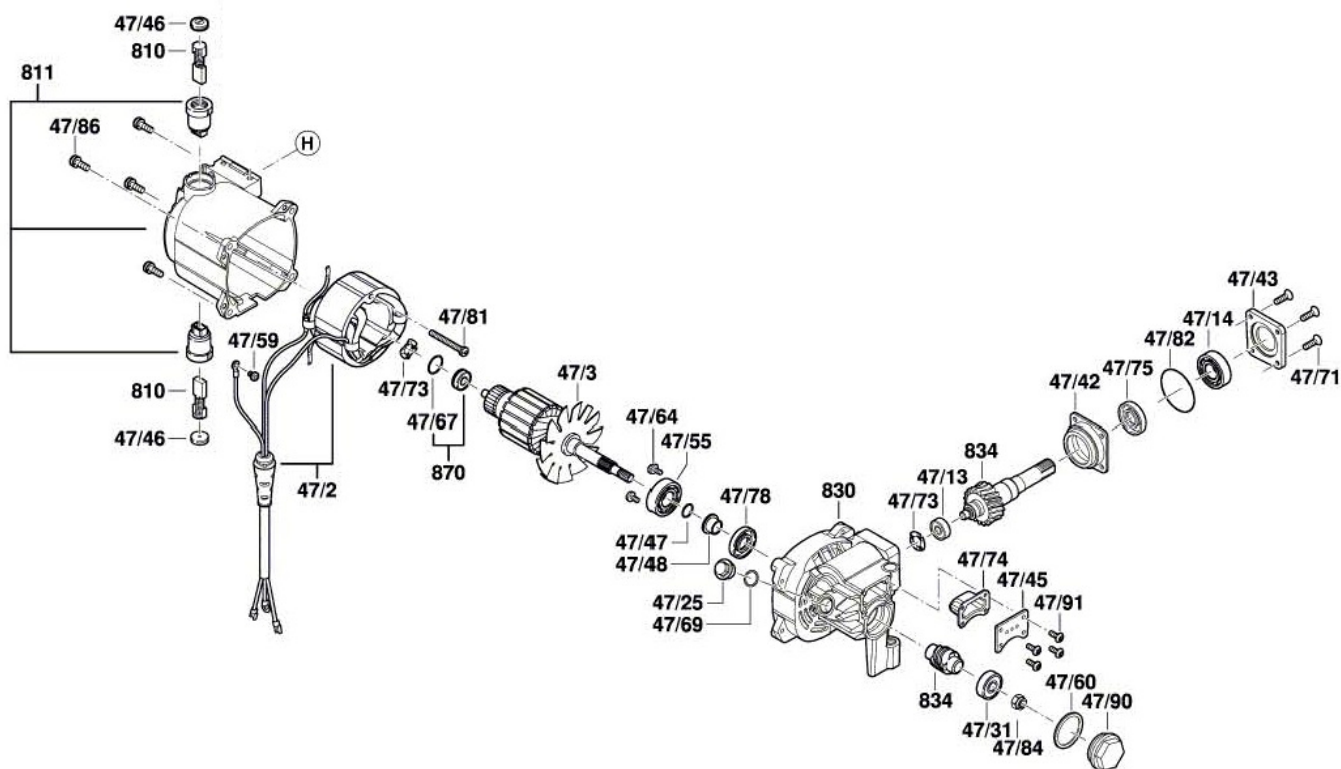
Product Description: Table Saw
Model Number: SPT99-11
Body Number: 0200008001
Version: B
Issue Date: 2020/03/19

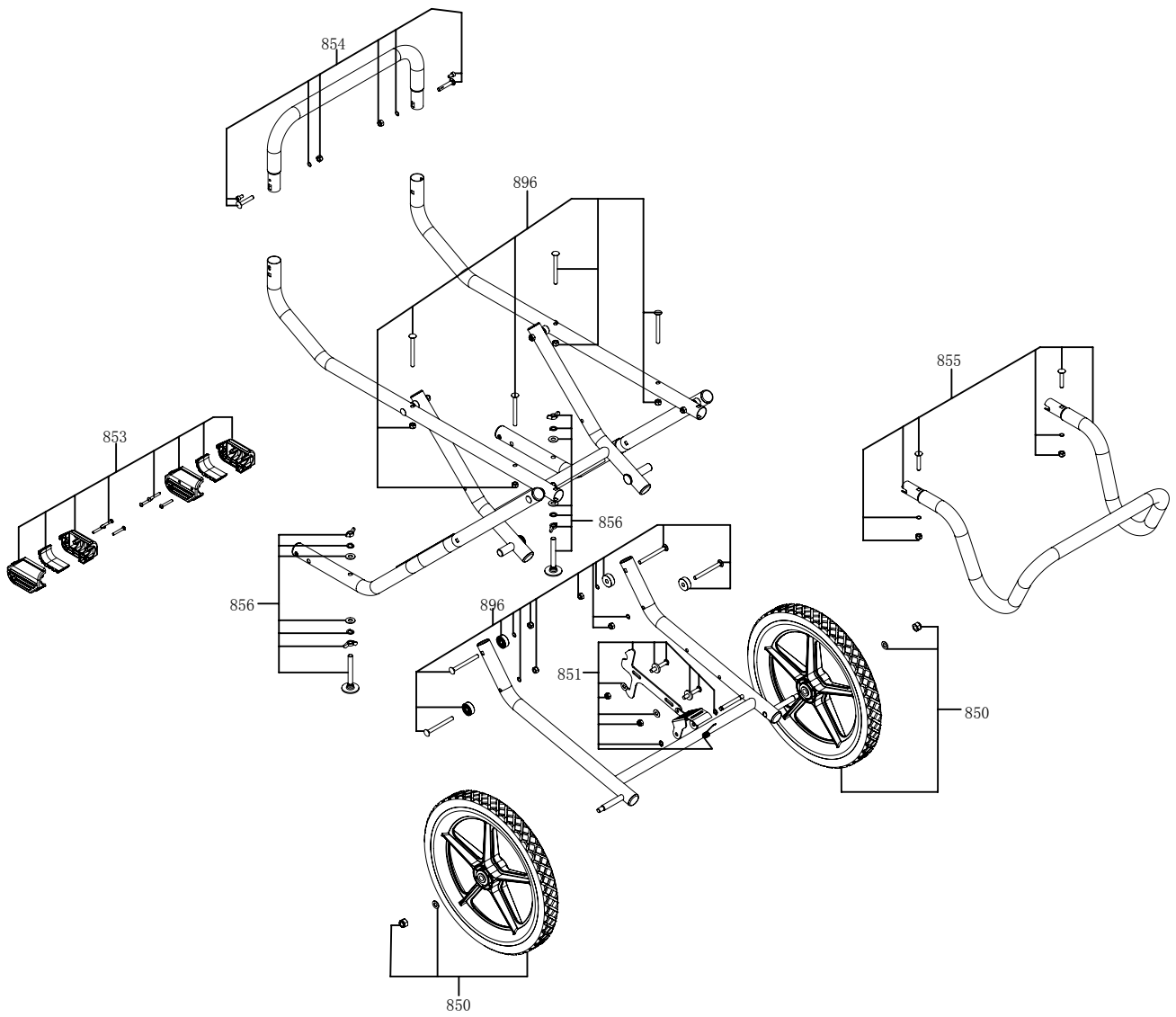




Product Description: Table Saw
Model Number: SPT99-11
Body Number: 0200008001
Version: B
Issue Date: 2020/06/17







No.	Product Model#	Part Number	Description	Qty
007	SPT99-11	5610361155	Pan head screw	1
008	SPT99-11	3580000025	Bushing	1
009	SPT99-11	5650710079	Plain washer	13
010	SPT99-11	5650710080	Plain washer	1
011	SPT99-11	5630352027	Self-locking nut	1
012	SPT99-11	2826622121	Rod	1
013	SPT99-11	2826622122	Rod	1
014	SPT99-11	5630352028	Connecting nut	1
015	SPT99-11	5630352029	Knurled nut	1
016	SPT99-11	5630352030	Knurled nut	1
017	SPT99-11	3660753044	Compression spring	2
018	SPT99-11	5650710094	Plain washer	4
019	SPT99-11	3706973053	Fixing plate	5
020	SPT99-11	5610361156	Pan head screw	10
023	SPT99-11	5610361157	Pan head screw	8
026	SPT99-11	3706973054	Pointer	1
027	SPT99-11	5610361192	Pan head screw	2
031	SPT99-11	5690438044	Retaining ring	1
034	SPT99-11	5610361158	Pan head screw	6
041	SPT99-11	3706973062	Support bracket	1
042	SPT99-11	5610361193	Pan head screw	2
043	SPT99-11	3130253230	Support plate	1
046	SPT99-11	3553285043	Holding plate	1
047	SPT99-11	0200009001	MOTOR ASSEMBLY	1
048	SPT99-11	3130253231	Guard plate	1
049	SPT99-11	5610361160	Pan head screw	1
050	SPT99-11	5610361161	Hex screw	1
051	SPT99-11	3706973055	Rod	1
052	SPT99-11	3706973056	Rod	1
053	SPT99-11	5650710081	Spring washer	4
054	SPT99-11	5610361162	Hex screw	4
055	SPT99-11	3553285044	Threaded rod	1
056	SPT99-11	3570037005	Bevel gear	2
057	SPT99-11	5610361163	Hex screw	2
058	SPT99-11	3580000026	Bushing	1
059	SPT99-11	3706973060	Support plate	1
060	SPT99-11	5610361164	Pan head screw	4
062	SPT99-11	5610361165	Hex screw	1
063	SPT99-11	5650710098	Plain washer	2
064	SPT99-11	5610361194	Hex screw	5
065	SPT99-11	3706973059	Support plate	1
066	SPT99-11	3553285045	Drive shaft	1
067	SPT99-11	3580000027	Bushing	1
068	SPT99-11	5690438036	Retaining ring	1
069	SPT99-11	3580000028	Bushing	1
074	SPT99-11	3660753045	Torsion spring	1
075	SPT99-11	3706973057	Stop plate	1
076	SPT99-11	5610361166	Special screw	2
077	SPT99-11	3130253256	Guard plate	1
078	SPT99-11	5610361167	Pan head screw	2
079	SPT99-11	3580000029	Bushing	2
080	SPT99-11	3130253232	Support bracket	2

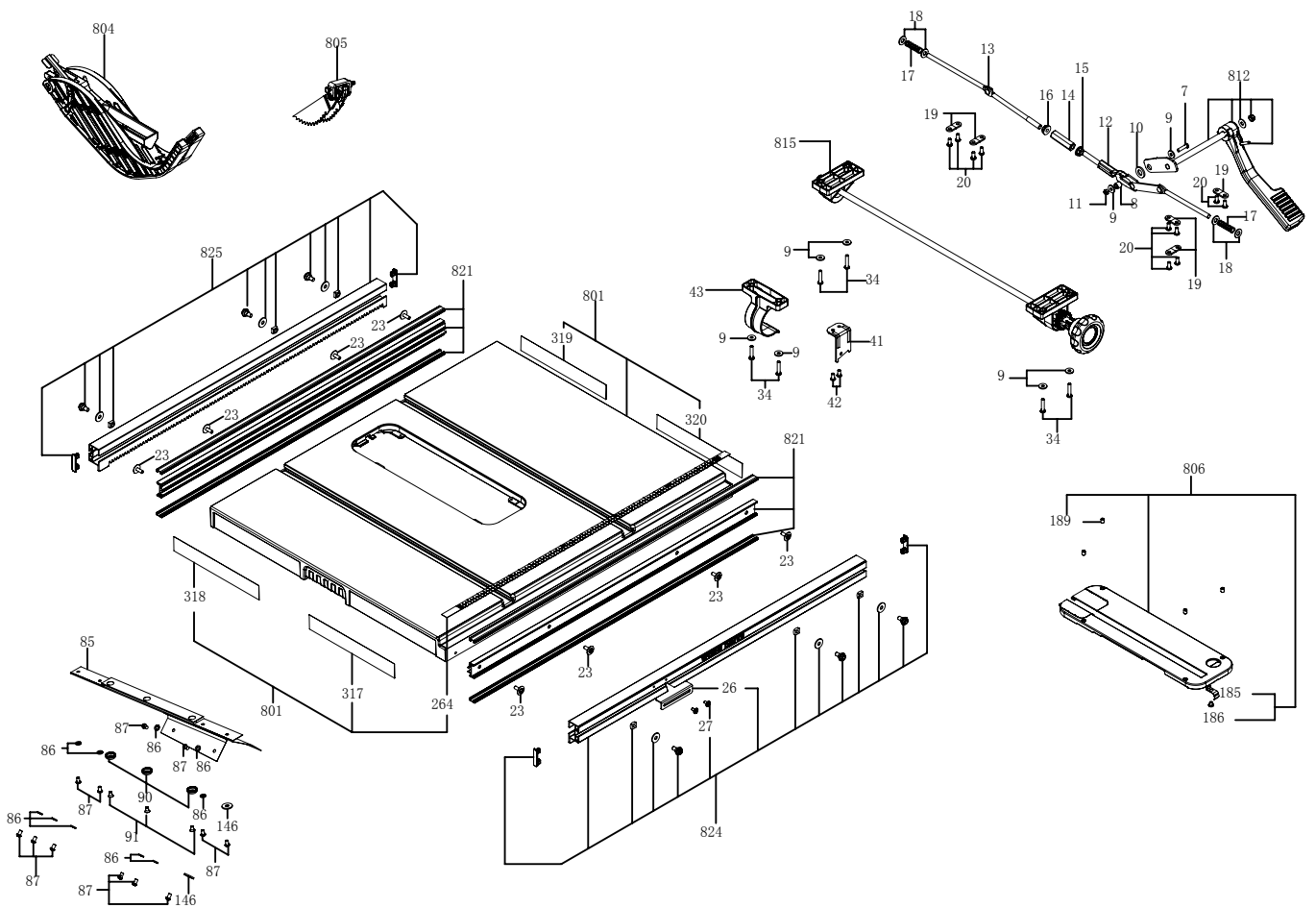
No.	Product Model#	Part Number	Description	Qty
081	SPT99-11	5610361197	Lock screw	4
083	SPT99-11	5650710082	Toothed lock washer	1
084	SPT99-11	5610361195	Pan head screw	1
085	SPT99-11	3800156004	Fabric	1
086	SPT99-11	5650710083	Plain washer	10
087	SPT99-11	5610361169	Pan head screw	15
090	SPT99-11	3580000030	Stop plate	3
091	SPT99-11	5610361188	Pan head screw	3
092	SPT99-11	3130253258	Support plate	1
093	SPT99-11	5610361170	Hex screw	2
095	SPT99-11	3130253233	Spring plate	1
096	SPT99-11	5610361171	Pan head screw	2
103	SPT99-11	5660288015	Spring clip	1
104	SPT99-11	5660288016	Spring clip	1
106	SPT99-11	5650710085	Plain washer	2
108	SPT99-11	5640322018	Clamping bolt	2
109	SPT99-11	5650710086	Plain washer	2
111	SPT99-11	3130253234	Bar holder	1
112	SPT99-11	5610361172	Pan head screw	4
113	SPT99-11	3130253235	Cam	2
114	SPT99-11	5650710087	Toothed lock washer	2
115	SPT99-11	5610361173	Pan head screw	3
117	SPT99-11	5610361174	Tapping screw	2
118	SPT99-11	3706973061	Front panel	1
119	SPT99-11	3130253237	Tapping screw	8
120	SPT99-11	5650710096	Plain washer	2
121	SPT99-11	3580000031	Bushing	1
122	SPT99-11	3130253238	Handle	1
123	SPT99-11	5610361175	Lock screw	1
124	SPT99-11	3660753046	Compression spring	1
125	SPT99-11	5650710088	Plain washer	2
126	SPT99-11	3130253239	Handwheel	1
127	SPT99-11	3130253240	Knob	1
128	SPT99-11	5650710089	Plain washer	1
129	SPT99-11	5650710090	Spring washer	1
130	SPT99-11	5610361176	Special screw	1
132	SPT99-11	5610361177	Special screw	1
133	SPT99-11	5650710091	Toothed lock washer	1
134	SPT99-11	3130253241	Pointer	1
140	SPT99-11	5610361178	Tapping screw	4
141	SPT99-11	4810237031	Power supply cord	1
142	SPT99-11	3130253243	Cable strain relief rail	1
145	SPT99-11	3580000032	Spindle flange	1
146	SPT99-11	5650710136	PLAIN WASHER	2
147	SPT99-11	3580000033	Clamping flange	1
148	SPT99-11	5630352031	Flange nut	1
149	SPT99-11	3130253244	Cover	1
150	SPT99-11	5680258016	Combination wrench	1
151	SPT99-11	5630352032	Wing nut	1
152	SPT99-11	3130253245	Cover	1
153	SPT99-11	5680258017	Socket wrench	1
154	SPT99-11	3130253246	Cable clip	1

No.	Product Model#	Part Number	Description	Qty
155	SPT99-11	5610361179	Tapping screw	4
156	SPT99-11	5610361180	Pan head screw	4
157	SPT99-11	3130253247	Guard plate	1
158	SPT99-11	5610361181	Torsion spring	1
159	SPT99-11	3130253248	Fixing plate	2
162	SPT99-11	5650710097	Plain washer	3
163	SPT99-11	3130253259	Dust-cover holder	1
164	SPT99-11	3130253249	Wing screw	1
166	SPT99-11	5690438037	Retaining ring	1
167	SPT99-11	3130253250	Workpiece pusher	1
168	SPT99-11	3130253260	Dust collection tube	1
180	SPT99-11	5610361196	Lock screw	2
181	SPT99-11	5630352034	Self-locking nut	1
182	SPT99-11	5610361182	Hex screw	2
185	SPT99-11	3660753047	Spring plate	1
186	SPT99-11	5610361183	Pan head screw	1
189	SPT99-11	5610361184	Lock screw	4
229	SPT99-11	5650710092	Plain washer	1
230	SPT99-11	5610361185	Pan head screw	1
264	SPT99-11	3130253251	Scale	1
301	SPT99-11	3130253373	SWITCH HOUSING	1
306	SPT99-11	4870696016	Swtich	1
307	SPT99-11	4860645013	Connect wire	1
308	SPT99-11	3130253376	CABLE STRAIN RELIEF RAIL	1
317	SPT99-11	2244472074	WARNING LABEL	1
318	SPT99-11	2244472075	WARNING LABEL	1
319	SPT99-11	2244472076	WARNING LABEL	1
320	SPT99-11	2244472077	WARNING LABEL	1
321	SPT99-11	2244472079	NAMEPLATE	1
322	SPT99-11	2244472078	WARNING LABEL	1
801	SPT99-11	2826622242	Table Assembly	1
804	SPT99-11	2826622125	Protective cover	1
805	SPT99-11	2826622113	Safety device	1
806	SPT99-11	2826622139	Mounting insert	1
807	SPT99-11	2826622126	Riving knife	1
809	SPT99-11	2826622127	Base frame	1
812	SPT99-11	2826622128	Lock lever	1
813	SPT99-11	2826622115	Foot cover	2
814	SPT99-11	2826622129	Foot cover	2
815	SPT99-11	2826622130	Rod	1
821	SPT99-11	2826622116	Mounting rail	2
824	SPT99-11	2826622131	Sliding plate	1
825	SPT99-11	2826622132	Sliding plate	1
827	SPT99-11	2826622180	Rip Fence	1
828	SPT99-11	2826622257	Mitre Gauge	1
829	SPT99-11	2826622182	FRONT PANEL	1
850	SPT99-11	2826622117	Wheel	2
851	SPT99-11	2826622133	Lock mechanism	1
853	SPT99-11	2826622118	Stand foot	1
854	SPT99-11	2826622135	Handle	1
855	SPT99-11	2826622136	Handle	1
856	SPT99-11	2826622183	STAND FOOT	2

No.	Product Model#	Part Number	Description	Qty
896	SPT99-11	2826622119	Screw set	1
831	SPT99-11	2826622243	Switch housing assembly	1
47/2	SPT99-11	2740535001	Stator	1
47/3	SPT99-11	2751155002	Rotor	1
47/13	SPT99-11	5700008030	Deep-Groove Ball Bearing	1
47/14	SPT99-11	5700058006	Ball Bearing	1
47/25	SPT99-11	3552851001	Oil Drain Plug	1
47/31	SPT99-11	5700013012	Ball Bearing	1
47/42	SPT99-11	3422074001	Bearing Plate	1
47/43	SPT99-11	3521052001	Guard Plate	1
47/45	SPT99-11	3706626001	Cover	1
47/46	SPT99-11	3129240001	Device cap	2
47/47	SPT99-11	5690368001	O-Ring	1
47/48	SPT99-11	3552841001	Collar	1
47/55	SPT99-11	5700058007	Ball Bearing	1
47/59	SPT99-11	5610334001	Screw	1
47/60	SPT99-11	5690372001	O-Ring	1
47/64	SPT99-11	5610325001	Contact Screw	3
47/67	SPT99-11	5690376001	O Ring	1
47/69	SPT99-11	5690378001	O-Ring	1
47/71	SPT99-11	5610340001	Screw	4
47/73	SPT99-11	5650616001	Spring Washer	2
47/74	SPT99-11	5690397001	Rubber Gasket	1
47/75	SPT99-11	5690374001	Seal	1
47/78	SPT99-11	5690375001	Seal	1
47/81	SPT99-11	5610397001	Screw	2
47/82	SPT99-11	5690379001	O-Ring	1
47/83	SPT99-11	5650622001	Washer	1
47/84	SPT99-11	5630312001	Nut	1
47/86	SPT99-11	5620609001	Screw	4
47/90	SPT99-11	3129151001	Bearing Cover	1
47/91	SPT99-11	5610326001	Screw	4
810	SPT99-11	4960394001	Carbon-Brush Set	1
811	SPT99-11	2825981001	Motor Housing	1
830	SPT99-11	3422211001	Gear Case	1
834	SPT99-11	2825982001	Set of Gears	1
870	SPT99-11	2825668001	Bearing Assembly	1

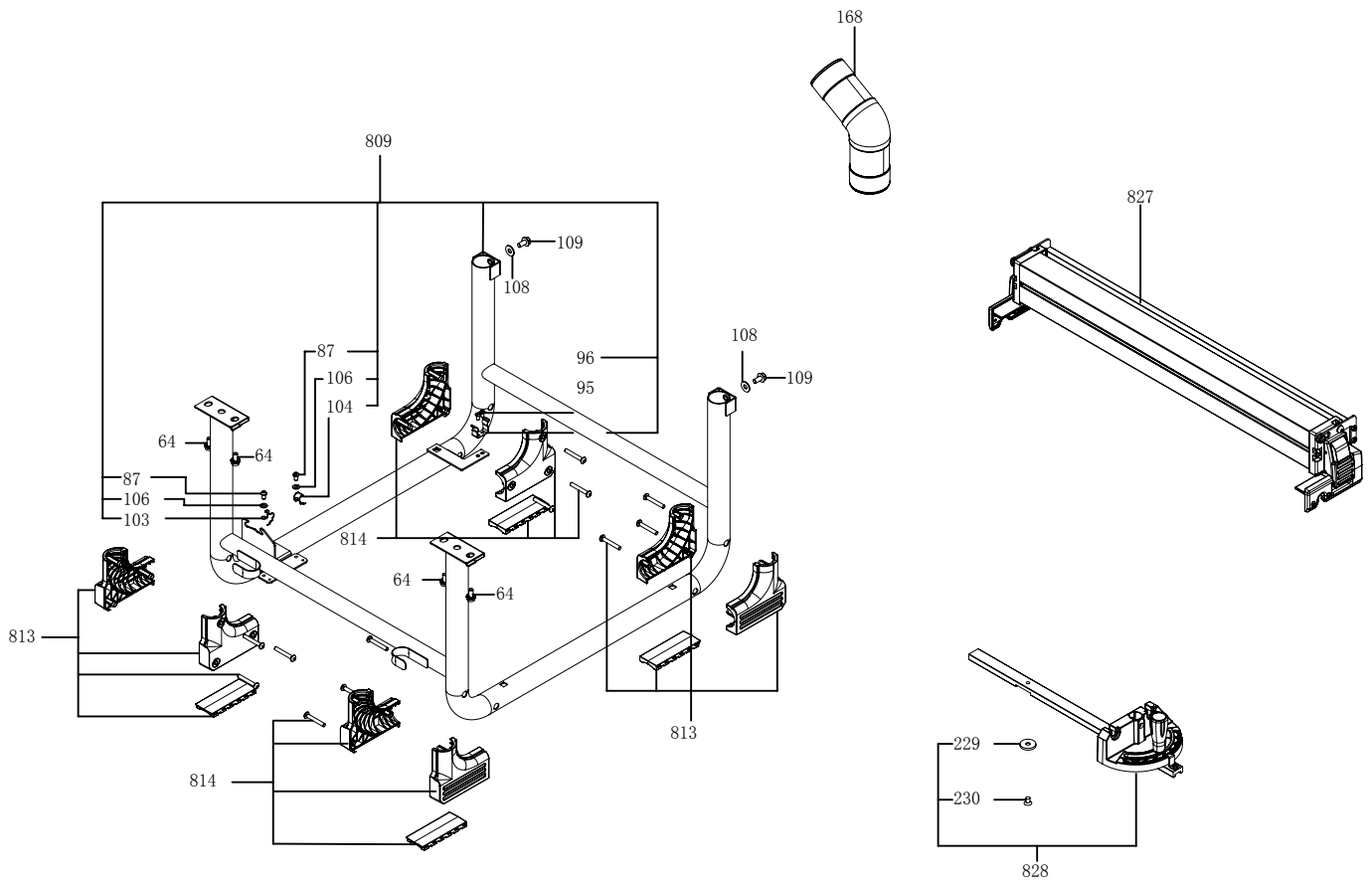


Product Description: Table Saw
Model Number: SPT99-12
Body Number: 0200008003
Version: B
Issue Date: 2020/03/19



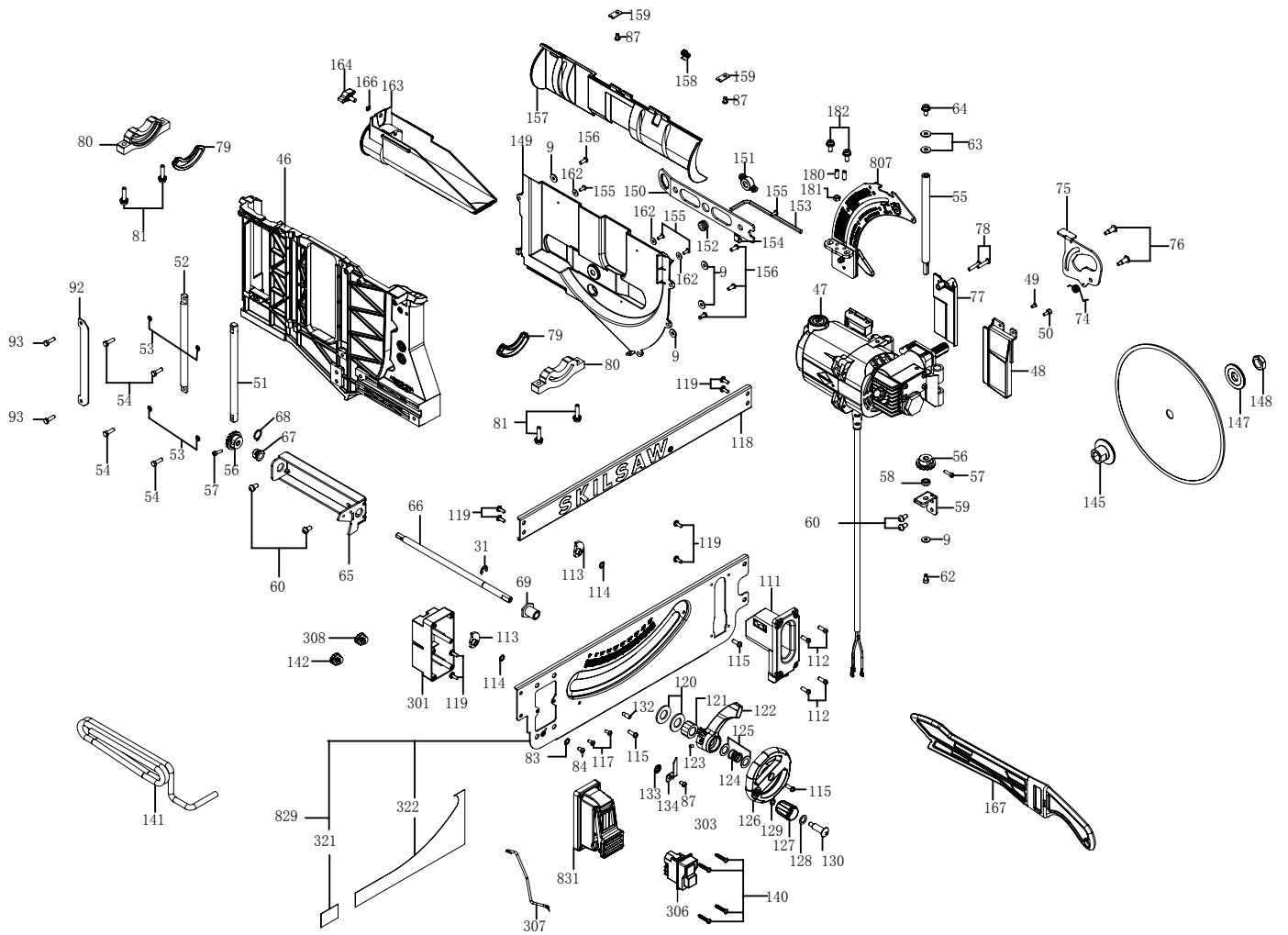


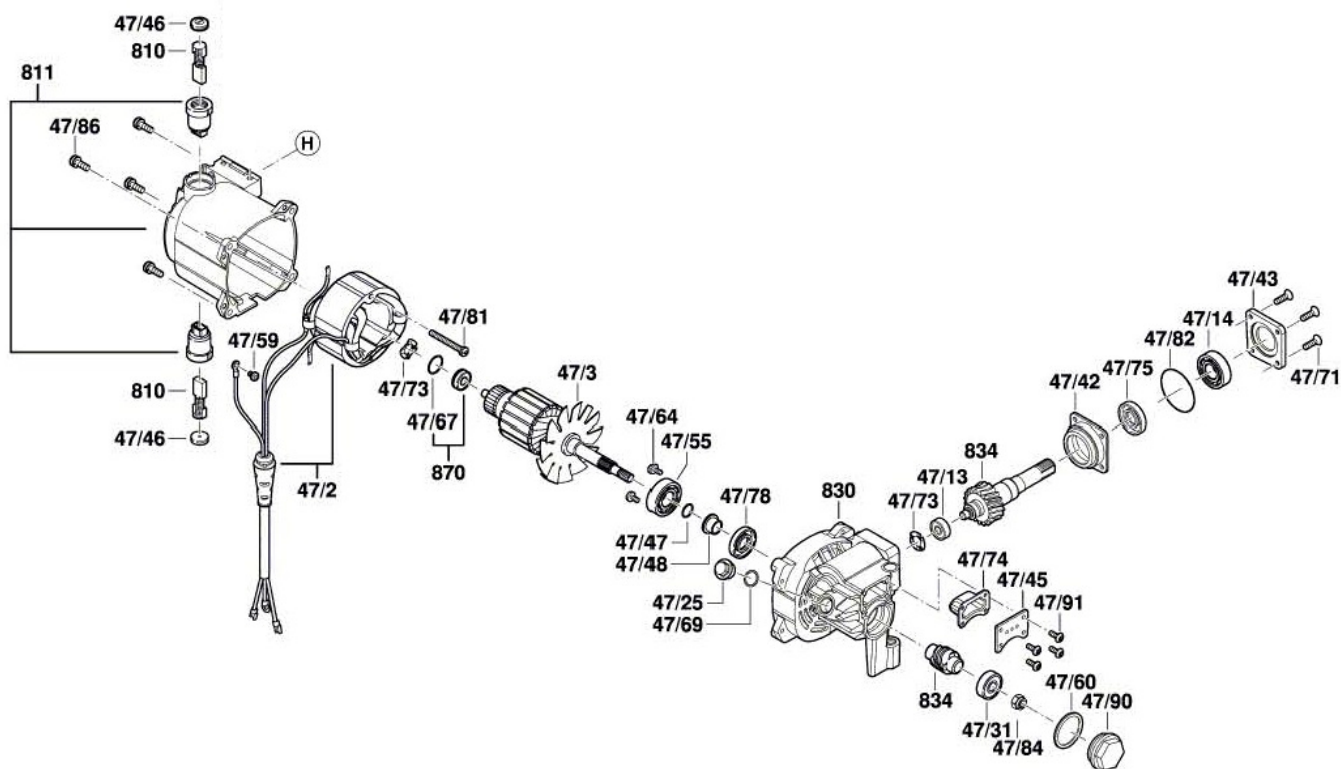
Product Description: Table Saw
Model Number: SPT99-12
Body Number: 0200008003
Version: B
Issue Date: 2020/03/19





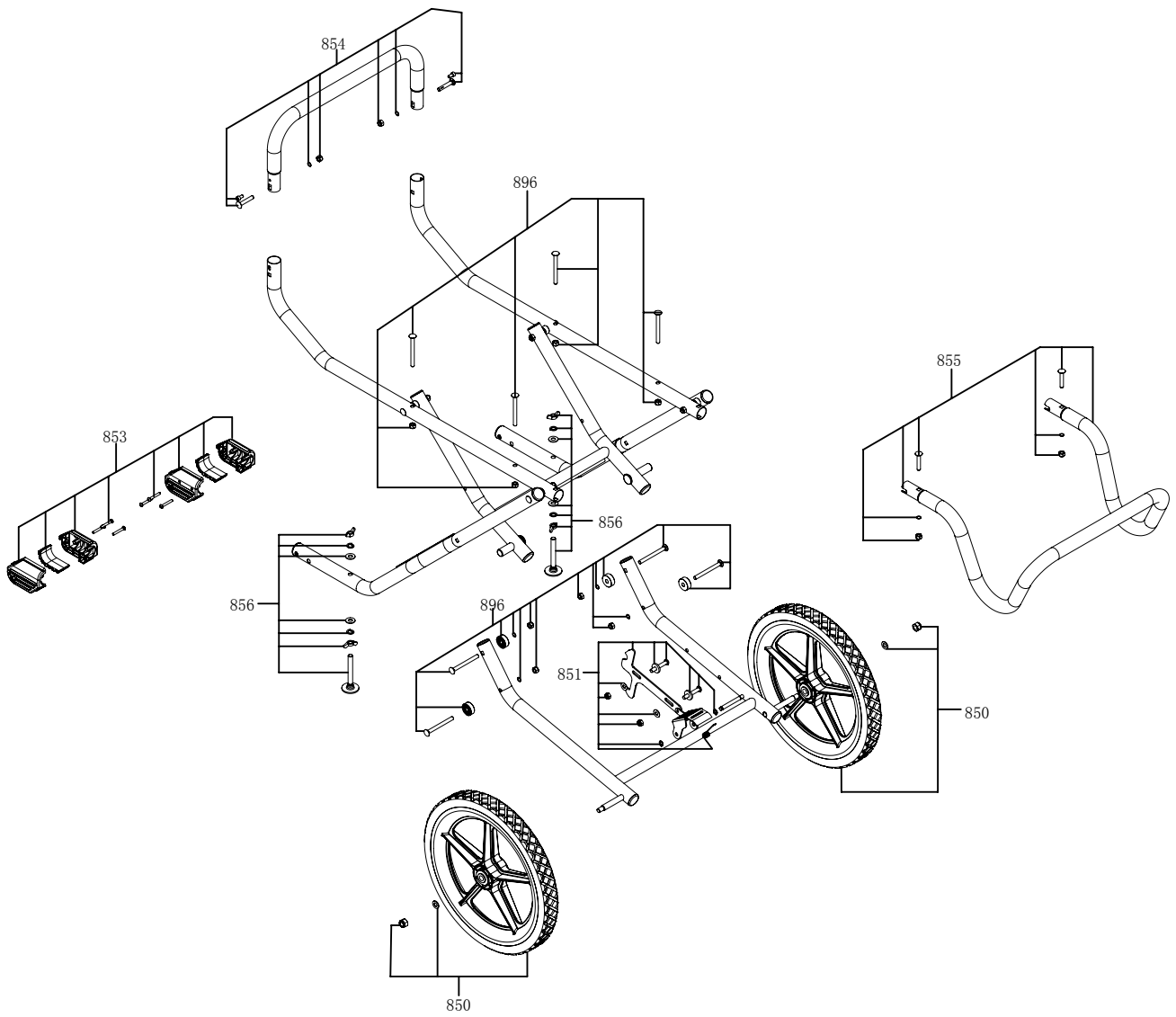
Product Description: Table Saw
Model Number: SPT99-12
Body Number: 0200008003
Version: B
Issue Date: 2020/06/17







Product Description: Table Saw
Model Number: SPT99-12
Body Number: 0200008003
Version: B
Issue Date: 2020/03/19



No.	Product Model#	Part Number	Description	Qty
007	SPT99-12	5610361155	Pan head screw	1
008	SPT99-12	3580000025	Bushing	1
009	SPT99-12	5650710079	Plain washer	13
010	SPT99-12	5650710080	Plain washer	1
011	SPT99-12	5630352027	Self-locking nut	1
012	SPT99-12	2826622121	Rod	1
013	SPT99-12	2826622122	Rod	1
014	SPT99-12	5630352028	Connecting nut	1
015	SPT99-12	5630352029	Knurled nut	1
016	SPT99-12	5630352030	Knurled nut	1
017	SPT99-12	3660753044	Compression spring	2
018	SPT99-12	5650710094	Plain washer	4
019	SPT99-12	3706973053	Fixing plate	5
020	SPT99-12	5610361156	Pan head screw	10
023	SPT99-12	5610361157	Pan head screw	8
026	SPT99-12	3706973054	Pointer	1
027	SPT99-12	5610361192	Pan head screw	2
031	SPT99-12	5690438044	Retaining ring	1
034	SPT99-12	5610361158	Pan head screw	6
041	SPT99-12	3706973062	Support bracket	1
042	SPT99-12	5610361193	Pan head screw	2
043	SPT99-12	3130253230	Support plate	1
046	SPT99-12	3553285043	Holding plate	1
047	SPT99-12	0200009001	MOTOR ASSEMBLY	1
048	SPT99-12	3130253231	Guard plate	1
049	SPT99-12	5610361160	Pan head screw	1
050	SPT99-12	5610361161	Hex screw	1
051	SPT99-12	3706973055	Rod	1
052	SPT99-12	3706973056	Rod	1
053	SPT99-12	5650710081	Spring washer	4
054	SPT99-12	5610361162	Hex screw	4
055	SPT99-12	3553285044	Threaded rod	1
056	SPT99-12	3570037005	Bevel gear	2
057	SPT99-12	5610361163	Hex screw	2
058	SPT99-12	3580000026	Bushing	1
059	SPT99-12	3706973060	Support plate	1
060	SPT99-12	5610361164	Pan head screw	4
062	SPT99-12	5610361165	Hex screw	1
063	SPT99-12	5650710098	Plain washer	2
064	SPT99-12	5610361194	Hex screw	5
065	SPT99-12	3706973059	Support plate	1
066	SPT99-12	3553285045	Drive shaft	1
067	SPT99-12	3580000027	Bushing	1
068	SPT99-12	5690438036	Retaining ring	1
069	SPT99-12	3580000028	Bushing	1
074	SPT99-12	3660753045	Torsion spring	1
075	SPT99-12	3706973057	Stop plate	1
076	SPT99-12	5610361166	Special screw	2
077	SPT99-12	3130253256	Guard plate	1
078	SPT99-12	5610361167	Pan head screw	2
079	SPT99-12	3580000029	Bushing	2
080	SPT99-12	3130253232	Support bracket	2

No.	Product Model#	Part Number	Description	Qty
081	SPT99-12	5610361197	Lock screw	4
083	SPT99-12	5650710082	Toothed lock washer	1
084	SPT99-12	5610361195	Pan head screw	1
085	SPT99-12	3800156004	Fabric	1
086	SPT99-12	5650710083	Plain washer	10
087	SPT99-12	5610361169	Pan head screw	15
090	SPT99-12	3580000030	Stop plate	3
091	SPT99-12	5610361188	Pan head screw	3
092	SPT99-12	3130253258	Support plate	1
093	SPT99-12	5610361170	Hex screw	2
095	SPT99-12	3130253233	Spring plate	1
096	SPT99-12	5610361171	Pan head screw	2
103	SPT99-12	5660288015	Spring clip	1
104	SPT99-12	5660288016	Spring clip	1
106	SPT99-12	5650710085	Plain washer	2
108	SPT99-12	5640322018	Clamping bolt	2
109	SPT99-12	5650710086	Plain washer	2
111	SPT99-12	3130253234	Bar holder	1
112	SPT99-12	5610361172	Pan head screw	4
113	SPT99-12	3130253235	Cam	2
114	SPT99-12	5650710087	Toothed lock washer	2
115	SPT99-12	5610361173	Pan head screw	3
117	SPT99-12	5610361174	Tapping screw	2
118	SPT99-12	3706973061	Front panel	1
119	SPT99-12	3130253237	Tapping screw	8
120	SPT99-12	5650710096	Plain washer	2
121	SPT99-12	3580000031	Bushing	1
122	SPT99-12	3130253238	Handle	1
123	SPT99-12	5610361175	Lock screw	1
124	SPT99-12	3660753046	Compression spring	1
125	SPT99-12	5650710088	Plain washer	2
126	SPT99-12	3130253239	Handwheel	1
127	SPT99-12	3130253240	Knob	1
128	SPT99-12	5650710089	Plain washer	1
129	SPT99-12	5650710090	Spring washer	1
130	SPT99-12	5610361176	Special screw	1
132	SPT99-12	5610361177	Special screw	1
133	SPT99-12	5650710091	Toothed lock washer	1
134	SPT99-12	3130253241	Pointer	1
140	SPT99-12	5610361178	Tapping screw	4
141	SPT99-12	4810237031	Power supply cord	1
142	SPT99-12	3130253243	able strain relief rail	1
145	SPT99-12	3580000032	Spindle flange	1
146	SPT99-12	5650710136	PLAIN WASHER	2
147	SPT99-12	3580000033	Clamping flange	1
148	SPT99-12	5630352031	Flange nut	1
149	SPT99-12	3130253244	Cover	1
150	SPT99-12	5680258016	Combination wrench	1
151	SPT99-12	5630352032	Wing nut	1
152	SPT99-12	3130253245	Cover	1
153	SPT99-12	5680258017	Socket wrench	1
154	SPT99-12	3130253246	Cable clip	1

No.	Product Model#	Part Number	Description	Qty
155	SPT99-12	5610361179	Tapping screw	4
156	SPT99-12	5610361180	Pan head screw	4
157	SPT99-12	3130253247	Guard plate	1
158	SPT99-12	5610361181	Torsion spring	1
159	SPT99-12	3130253248	Fixing plate	2
162	SPT99-12	5650710097	Plain washer	3
163	SPT99-12	3130253259	Dust-cover holder	1
164	SPT99-12	3130253249	Wing screw	1
166	SPT99-12	5690438037	Retaining ring	1
167	SPT99-12	3130253250	Workpiece pusher	1
168	SPT99-12	3130253260	Dust collection tube	1
180	SPT99-12	5610361196	Lock screw	2
181	SPT99-12	5630352034	Self-locking nut	1
182	SPT99-12	5610361182	Hex screw	2
185	SPT99-12	3660753047	Spring plate	1
186	SPT99-12	5610361183	Pan head screw	1
189	SPT99-12	5610361184	Lock screw	4
229	SPT99-12	5650710092	Plain washer	1
230	SPT99-12	5610361185	Pan head screw	1
264	SPT99-12	3130253251	Scale	1
301	SPT99-12	3130253373	SWITCH HOUSING	1
306	SPT99-12	4870696016	Swtich	1
307	SPT99-12	4860645013	Connect wire	1
308	SPT99-12	3130253376	ABLE STRAIN RELIEF RAI	1
317	SPT99-12	2244472074	WARNING LABEL	1
318	SPT99-12	2244472075	WARNING LABEL	1
319	SPT99-12	2244472076	WARNING LABEL	1
320	SPT99-12	2244472077	WARNING LABEL	1
321	SPT99-12	2244472079	NAMEPLATE	1
322	SPT99-12	2244472078	WARNING LABEL	1
801	SPT99-12	2826622242	Table Assembly	1
804	SPT99-12	2826622125	Protective cover	1
805	SPT99-12	2826622113	Safety device	1
806	SPT99-12	2826622139	Mounting insert	1
807	SPT99-12	2826622126	Riving knife	1
809	SPT99-12	2826622127	Base frame	1
812	SPT99-12	2826622128	Lock lever	1
813	SPT99-12	2826622115	Foot cover	2
814	SPT99-12	2826622129	Foot cover	2
815	SPT99-12	2826622130	Rod	1
821	SPT99-12	2826622116	Mounting rail	2
824	SPT99-12	2826622131	Sliding plate	1
825	SPT99-12	2826622132	Sliding plate	1
827	SPT99-12	2826622180	Rip Fence	1
828	SPT99-12	2826622257	Mitre Gauge	1
829	SPT99-12	2826622182	FRONT PANEL	1
850	SPT99-12	2826622117	Wheel	2
851	SPT99-12	2826622133	Lock mechanism	1
853	SPT99-12	2826622118	Stand foot	1
854	SPT99-12	2826622135	Handle	1
855	SPT99-12	2826622136	Handle	1
856	SPT99-12	2826622183	STAND FOOT	2

No.	Product Model#	Part Number	Description	Qty
896	SPT99-12	2826622119	Screw set	1
831	SPT99-12	2826622243	Switch housing assembl	1
47/2	SPT99-12	2740535001	Stator	1
47/3	SPT99-12	2751155002	Rotor	1
47/13	SPT99-12	5700008030	Deep-Groove Ball Bearin	1
47/14	SPT99-12	5700058006	Ball Bearing	1
47/25	SPT99-12	3552851001	Oil Drain Plug	1
47/31	SPT99-12	5700013012	Ball Bearing	1
47/42	SPT99-12	3422074001	Bearing Plate	1
47/43	SPT99-12	3521052001	Guard Plate	1
47/45	SPT99-12	3706626001	Cover	1
47/46	SPT99-12	3129240001	Device cap	2
47/47	SPT99-12	5690368001	O-Ring	1
47/48	SPT99-12	3552841001	Collar	1
47/55	SPT99-12	5700058007	Ball Bearing	1
47/59	SPT99-12	5610334001	Screw	1
47/60	SPT99-12	5690372001	O-Ring	1
47/64	SPT99-12	5610325001	Contact Screw	3
47/67	SPT99-12	5690376001	O Ring	1
47/69	SPT99-12	5690378001	O-Ring	1
47/71	SPT99-12	5610340001	Screw	4
47/73	SPT99-12	5650616001	Spring Washer	2
47/74	SPT99-12	5690397001	Rubber Gasket	1
47/75	SPT99-12	5690374001	Seal	1
47/78	SPT99-12	5690375001	Seal	1
47/81	SPT99-12	5610397001	Screw	2
47/82	SPT99-12	5690379001	O-Ring	1
47/83	SPT99-12	5650622001	Washer	1
47/84	SPT99-12	5630312001	Nut	1
47/86	SPT99-12	5620609001	Screw	4
47/90	SPT99-12	3129151001	Bearing Cover	1
47/91	SPT99-12	5610326001	Screw	4
810	SPT99-12	4960394001	Carbon-Brush Set	1
811	SPT99-12	2825981001	Motor Housing	1
830	SPT99-12	3422211001	Gear Case	1
834	SPT99-12	2825982001	Set of Gears	1
870	SPT99-12	2825668001	Bearing Assembly	1