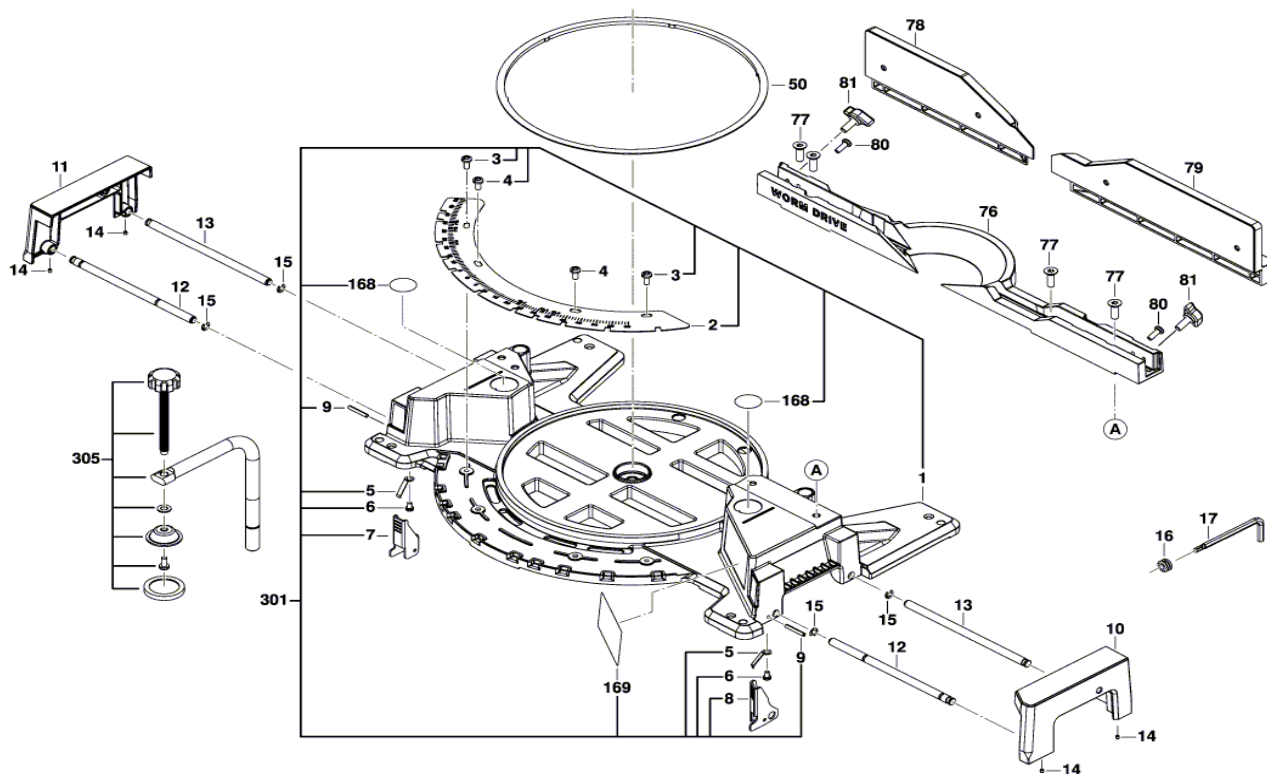
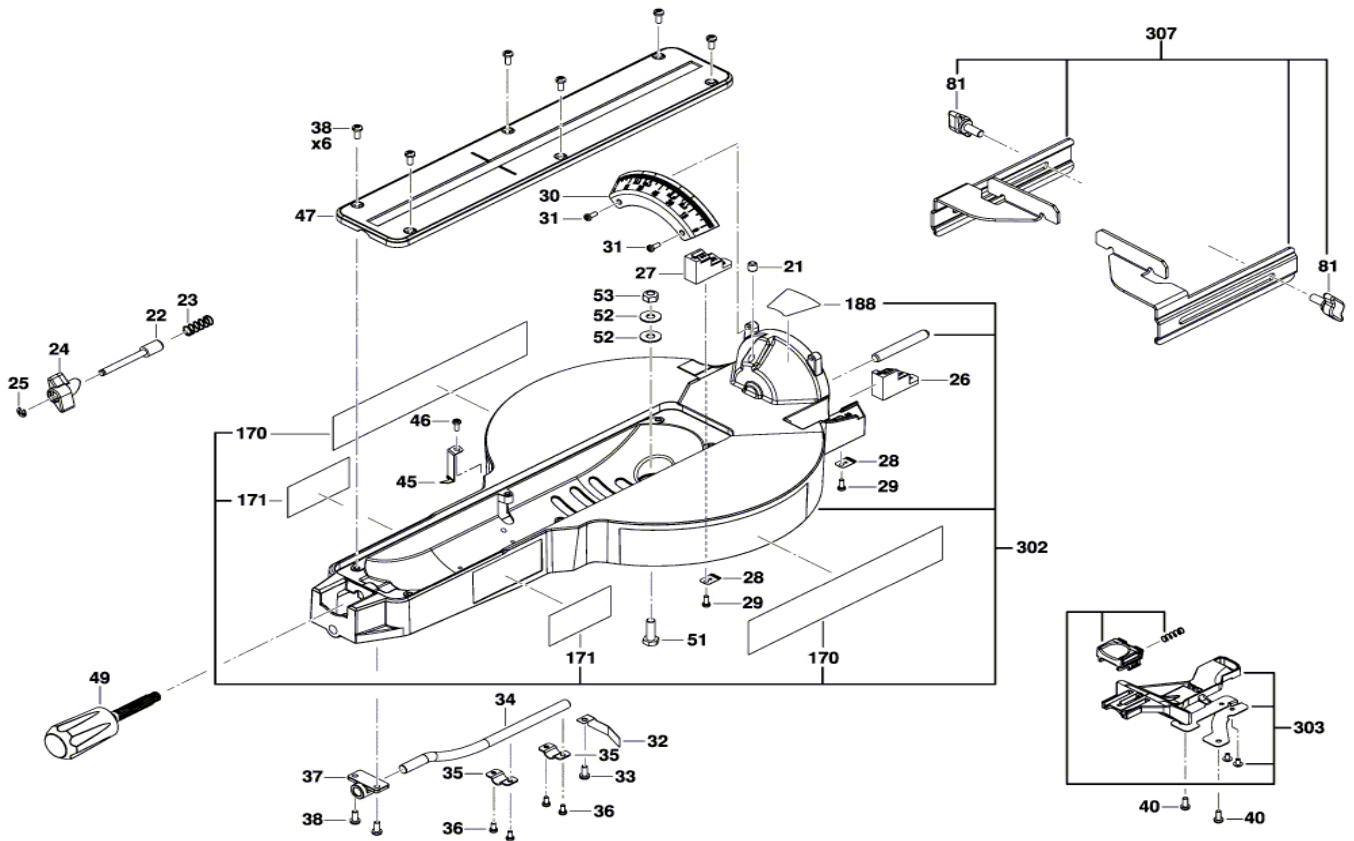




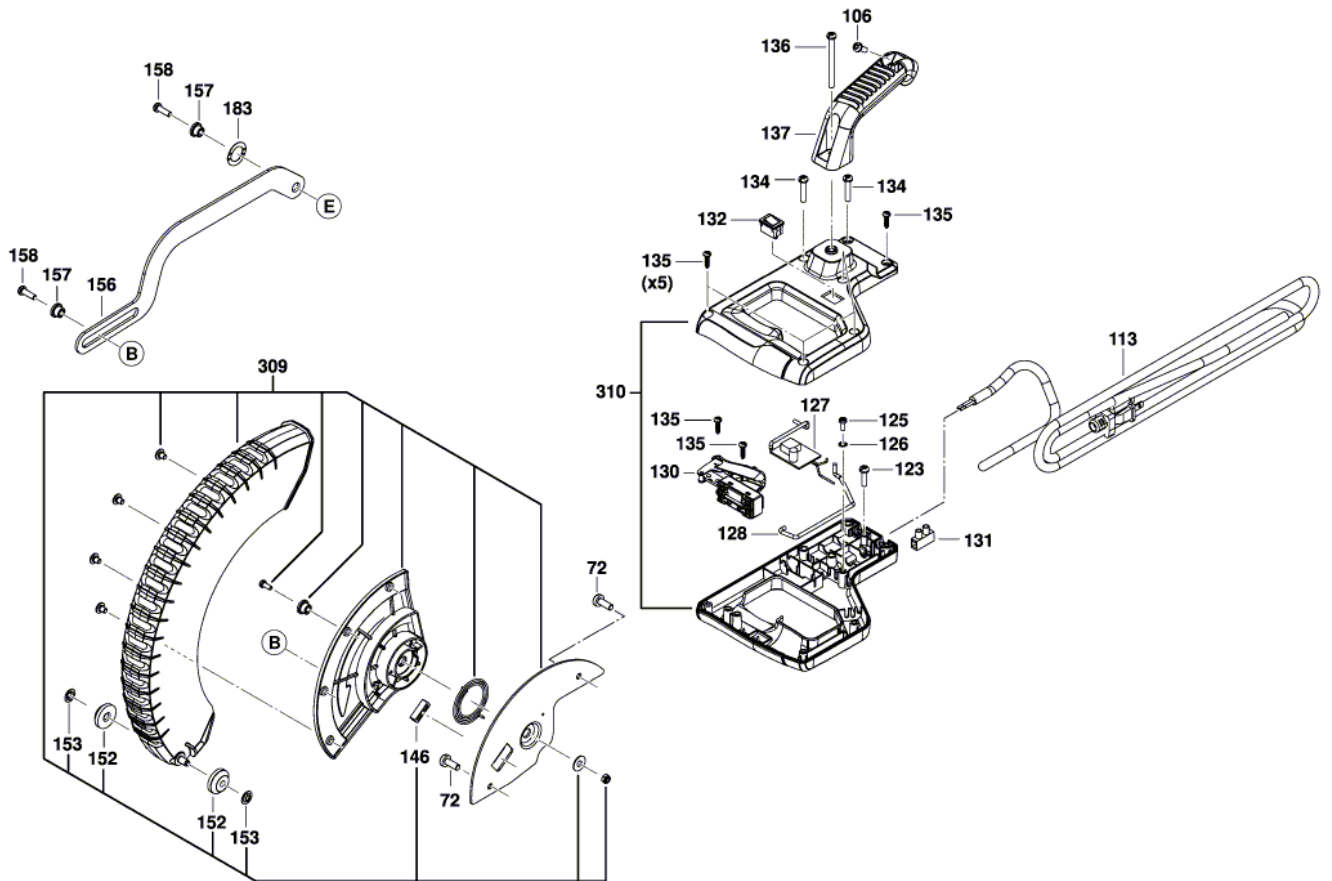
Product Description: Miter Saw
Model Number: SPT88-01
Body Number: 0680004001
Version: A
Issue Date: 2020/05/08





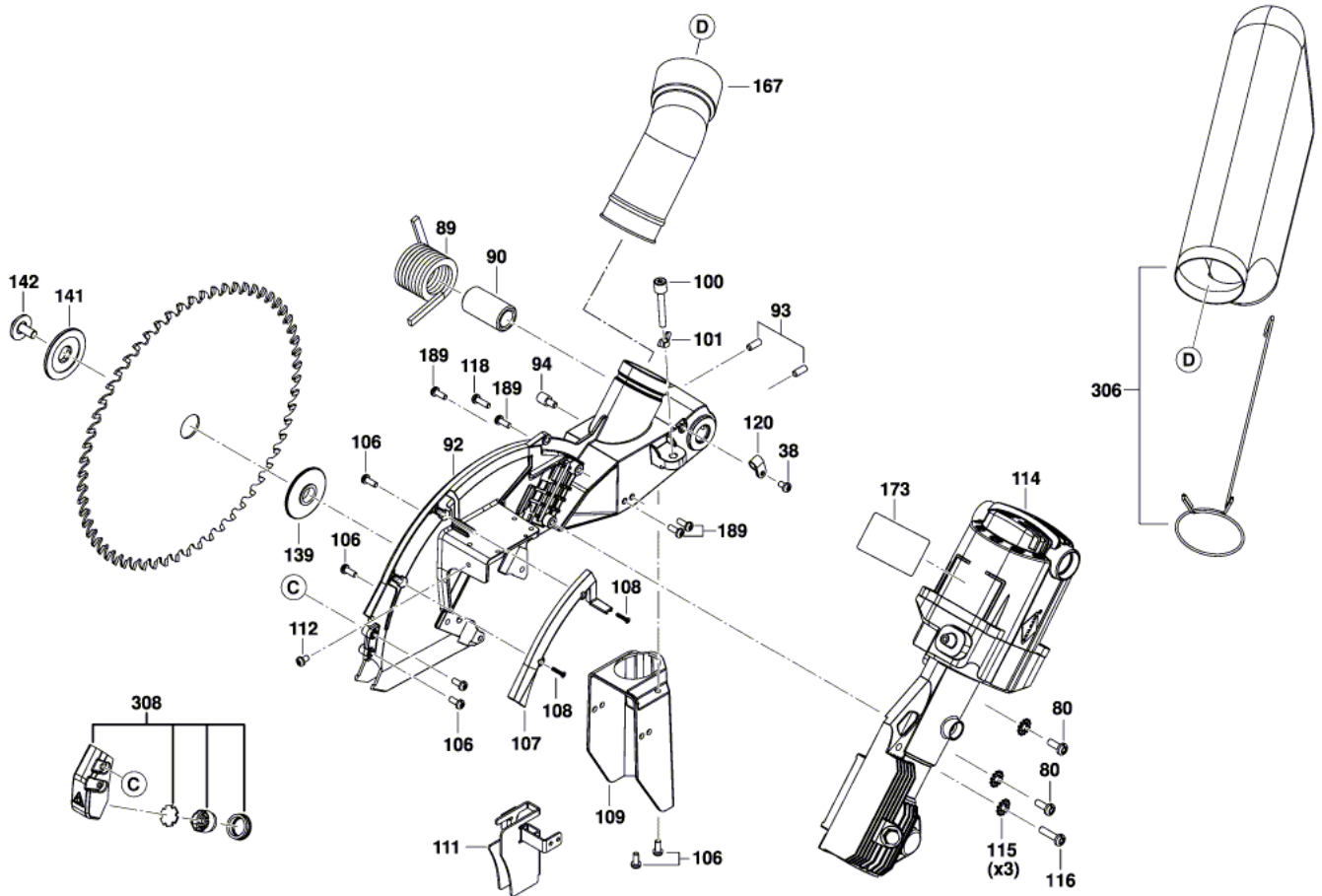


Product Description: Miter Saw
Model Number: SPT88-01
Body Number: 0680004001
Version: A
Issue Date: 2020/05/08



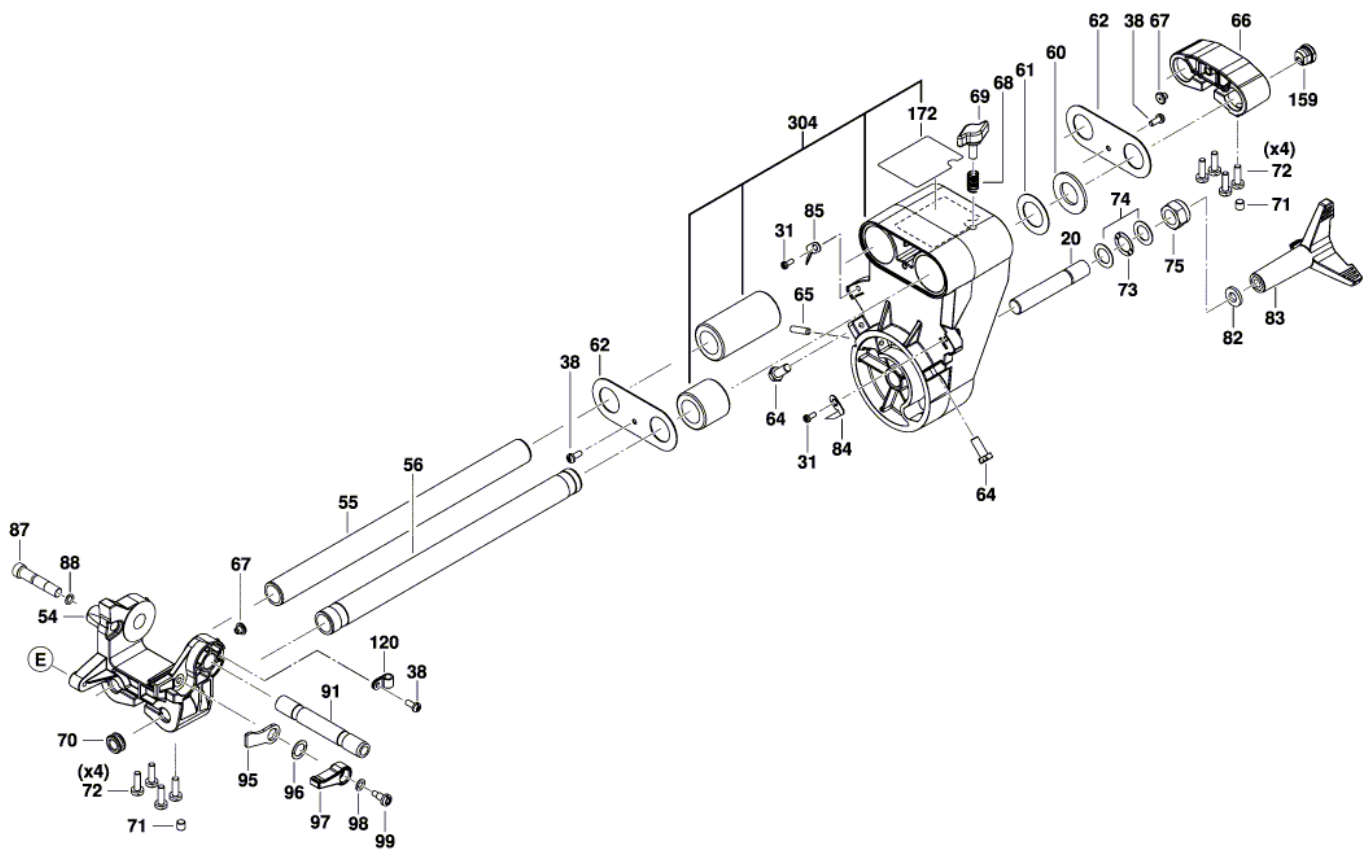


Product Description: Miter Saw
Model Number: SPT88-01
Body Number: 0680004001
Version: A
Issue Date: 2020/05/08



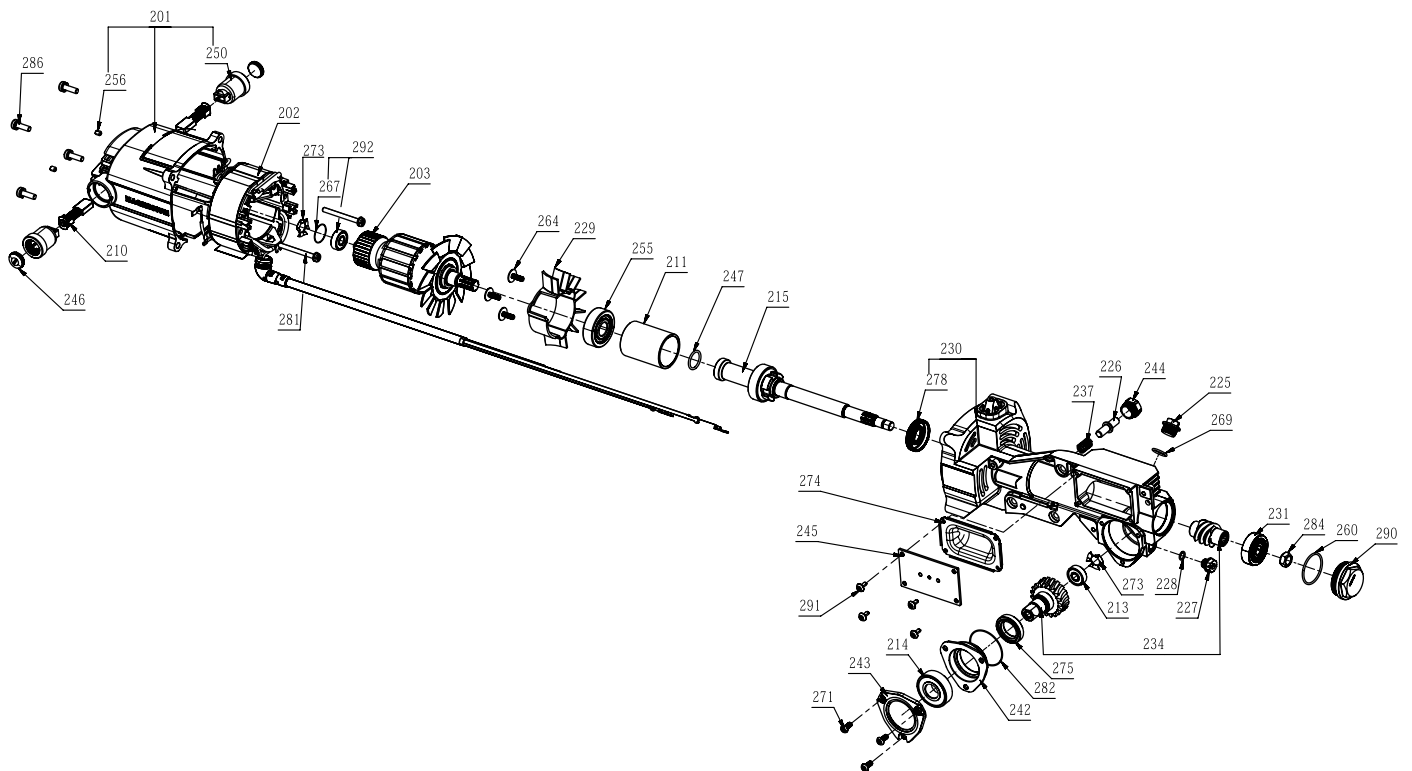


Product Description: Miter Saw
Model Number: SPT88-01
Body Number: 0680004001
Version: A
Issue Date: 2020/05/08





Product Description: Miter Saw
Model Number: SPT88-01
Body Number: 0680004001
Version: A
Issue Date: 2020/05/08



| No. | Product Model# | Part Number | Description | Qty |
|-----|----------------|-------------|----------------------|-----|
| 2 | SPT88-01 | 3706973026 | Miter Scale | 1 |
| 3 | SPT88-01 | 5610361052 | Screw M6*13 | 2 |
| 4 | SPT88-01 | 5610361053 | Screw M6*12 | 2 |
| 5 | SPT88-01 | 3706973027 | Spring Plate | 2 |
| 6 | SPT88-01 | 5610361054 | Screw M5*8 | 2 |
| 7 | SPT88-01 | 3706973028 | Stop Plate-Left | 1 |
| 8 | SPT88-01 | 3706973029 | Stop Plate-Right | 1 |
| 9 | SPT88-01 | 5670524006 | Pin | 2 |
| 10 | SPT88-01 | 3706973030 | Base Extension-Right | 1 |
| 11 | SPT88-01 | 3706973031 | Base Extension-Left | 1 |
| 12 | SPT88-01 | 3706973032 | Extension Bar-Front | 2 |
| 13 | SPT88-01 | 3706973033 | Extension Bar-Rear | 2 |
| 14 | SPT88-01 | 5610361055 | Set Screw | 4 |
| 15 | SPT88-01 | 5660288011 | E Ring | 4 |
| 16 | SPT88-01 | 3130253070 | Rubber Bushing | 1 |
| 17 | SPT88-01 | 5680258005 | L Wrench | 1 |
| 20 | SPT88-01 | 5610361056 | Screw | 1 |
| 21 | SPT88-01 | 5610361044 | Set Screw | 1 |
| 22 | SPT88-01 | 5670524005 | Detent Shaft | 1 |
| 23 | SPT88-01 | 3660753018 | Spring | 1 |
| 24 | SPT88-01 | 3130253066 | Bevel Detent Knob | 1 |
| 25 | SPT88-01 | 5660288010 | E Ring | 1 |
| 26 | SPT88-01 | 3706973018 | BEVEL Stop-Right | 1 |
| 27 | SPT88-01 | 3706973019 | BEVEL Stop-Left | 1 |
| 28 | SPT88-01 | 3706973020 | Spring | 2 |
| 29 | SPT88-01 | 5610361045 | Screw M4*6 | 2 |
| 30 | SPT88-01 | 3130253067 | BEVEL Scale | 1 |
| 31 | SPT88-01 | 5610361046 | Screw M5*10 | 4 |
| 32 | SPT88-01 | 3706973021 | Spring Plate | 1 |
| 33 | SPT88-01 | 5610361047 | Screw M5*8 | 1 |
| 34 | SPT88-01 | 3706973022 | Miter Lock Rod | 1 |
| 35 | SPT88-01 | 3706973023 | Retaining Plate | 2 |
| 36 | SPT88-01 | 5610361048 | Screw M4*10 | 4 |
| 37 | SPT88-01 | 3706973024 | Fixed Holder | 1 |
| 38 | SPT88-01 | 5610361049 | Screw M5*12 | 12 |
| 40 | SPT88-01 | 5610361050 | Screw M5*12 | 2 |
| 45 | SPT88-01 | 3706973025 | Miter Indicator | 1 |
| 46 | SPT88-01 | 5610361051 | Screw M4*10 | 1 |
| 47 | SPT88-01 | 3130253068 | Table Insert | 1 |
| 49 | SPT88-01 | 3130253069 | Miter Lock Handle | 1 |
| 50 | SPT88-01 | 5690438011 | Glide Ring | 1 |
| 51 | SPT88-01 | 5610361009 | Screw M8*30 | 1 |
| 52 | SPT88-01 | 5650710010 | Washer | 2 |
| 53 | SPT88-01 | 5630352001 | Nut M8 | 1 |
| 54 | SPT88-01 | 3422506010 | Front Pivot | 1 |
| 55 | SPT88-01 | 3553285018 | Sliding Rail-A | 1 |
| 56 | SPT88-01 | 3553285019 | Sliding Rail-B | 1 |
| 60 | SPT88-01 | 5650710019 | Flat Washer | 1 |
| 61 | SPT88-01 | 5690438013 | Felt Washer | 1 |
| 62 | SPT88-01 | 3706973012 | Bearing Cover | 2 |
| 64 | SPT88-01 | 5610361022 | Screw M8*20 | 2 |
| 65 | SPT88-01 | 5610361023 | Set Screw | 1 |
| 66 | SPT88-01 | 3422506008 | Rear Slide Stop | 1 |

| No. | Product Model# | Part Number | Description | Qty |
|-----|----------------|-------------|---|-----|
| 67 | SPT88-01 | 5690438014 | Pad | 2 |
| 68 | SPT88-01 | 3660753011 | Compression Spring | 1 |
| 69 | SPT88-01 | 3130253029 | Sliding Knob | 1 |
| 70 | SPT88-01 | 3130253030 | Rubber Bushing | 1 |
| 71 | SPT88-01 | 5610361024 | Set Screw | 2 |
| 72 | SPT88-01 | 5610361025 | Screw M6*20 | 10 |
| 73 | SPT88-01 | 5650710020 | Wave Washer | 1 |
| 74 | SPT88-01 | 5650710011 | Washer | 2 |
| 75 | SPT88-01 | 5630352002 | Nylon Nut M16 | 1 |
| 76 | SPT88-01 | 3422506005 | Fixed Fence | 1 |
| 77 | SPT88-01 | 5610361010 | Screw M8*25 | 4 |
| 78 | SPT88-01 | 3422506006 | Sliding Fence-Left | 1 |
| 79 | SPT88-01 | 3422506007 | Sliding Fence-Right | 1 |
| 80 | SPT88-01 | 5610361011 | Screw M6*16 | 4 |
| 81 | SPT88-01 | 3130253024 | Fence Knob | 2 |
| 82 | SPT88-01 | 5650710012 | Washer | 1 |
| 83 | SPT88-01 | 3130253025 | Bevel Lock Handle | 1 |
| 84 | SPT88-01 | 3130253026 | Bevel Indicator-Right | 1 |
| 85 | SPT88-01 | 3130253033 | Bevel Indicator-Left | 1 |
| 87 | SPT88-01 | 5670524003 | Down Pin | 1 |
| 88 | SPT88-01 | 5690438012 | O Ring | 1 |
| 89 | SPT88-01 | 3660753009 | Torsion Spring | 1 |
| 90 | SPT88-01 | 3660753010 | Bushing | 1 |
| 91 | SPT88-01 | 5640322001 | Shaft | 1 |
| 92 | SPT88-01 | 3422506009 | Upper Guard | 1 |
| 93 | SPT88-01 | 5610361012 | Screw M6*16 | 2 |
| 94 | SPT88-01 | 5610361013 | Screw M8*15 | 1 |
| 95 | SPT88-01 | 3706973010 | Depth Plate | 1 |
| 96 | SPT88-01 | 5650710021 | Wave Washer | 1 |
| 97 | SPT88-01 | 3706973011 | Block | 1 |
| 98 | SPT88-01 | 5650710013 | Wave Washer | 1 |
| 99 | SPT88-01 | 5610361021 | Screw M6*16 | 1 |
| 100 | SPT88-01 | 5620711003 | Screw M6*44 | 1 |
| 101 | SPT88-01 | 5630352003 | Wing Nut M6 | 1 |
| 106 | SPT88-01 | 5610361014 | Screw M5*13 | 8 |
| 107 | SPT88-01 | 3130253031 | LED Wire Cover | 1 |
| 108 | SPT88-01 | 5610361026 | Screw M3*15 | 2 |
| 109 | SPT88-01 | 3130253032 | Dust Collector | 1 |
| 111 | SPT88-01 | 3706973013 | Chip Deflector | 1 |
| 112 | SPT88-01 | 5610361027 | Screw M5*8 | 1 |
| 189 | SPT88-01 | 5620711004 | shoulder Screw M5*8 | 4 |
| 113 | SPT88-01 | 4810237005 | Power Cord | 1 |
| 114 | SPT88-01 | 0200005001 | Motor Gearbox Assembly | 1 |
| 115 | SPT88-01 | 5650710014 | Internal And External Toothed Lock Washer | 3 |
| 116 | SPT88-01 | 5610361015 | Screw M6*24 | 1 |
| 118 | SPT88-01 | 5610361028 | Screw M5*16 | 1 |
| 120 | SPT88-01 | 3521181004 | Cable Clip | 2 |
| 123 | SPT88-01 | 5610361016 | Screw M5*18 | 1 |
| 125 | SPT88-01 | 5610361017 | Screw M4*5 | 1 |
| 126 | SPT88-01 | 5650710015 | Internal Toothed Lock Washer BW | 1 |
| 127 | SPT88-01 | 4581222001 | Transformer | 1 |
| 128 | SPT88-01 | 4870696008 | Door Switch Connecting Wire (Black) | 1 |
| 130 | SPT88-01 | 4870696010 | Trigger Switch | 1 |

| No. | Product Model# | Part Number | Description | Qty |
|-----|----------------|-------------|------------------------------|-----|
| 131 | SPT88-01 | 4930857001 | Terminal Block | 1 |
| 132 | SPT88-01 | 4870696009 | LED Switch | 1 |
| 134 | SPT88-01 | 5610361018 | Screw M5*25 | 2 |
| 135 | SPT88-01 | 5610361029 | Screw M4*16 | 7 |
| 136 | SPT88-01 | 5610361019 | Screw M5*58 | 1 |
| 137 | SPT88-01 | 3130253027 | Carry Handle | 1 |
| 139 | SPT88-01 | 5650710016 | Inner Blade Washer | 1 |
| 141 | SPT88-01 | 5650710017 | Outer Blade Washer | 1 |
| 142 | SPT88-01 | 5620711005 | Arbor Bolt | 1 |
| 146 | SPT88-01 | 5690438015 | Stop Pad | 1 |
| 152 | SPT88-01 | 5690438016 | Roller on Lower Guard | 2 |
| 153 | SPT88-01 | 5630352004 | Retaining Ring | 2 |
| 156 | SPT88-01 | 3553285017 | Linkage | 1 |
| 157 | SPT88-01 | 3521181005 | Bushing on Linkage | 2 |
| 158 | SPT88-01 | 5610361020 | Screw M5*16 | 2 |
| 159 | SPT88-01 | 3130253034 | Strain Relief | 1 |
| 167 | SPT88-01 | 3130253028 | Dust Elbow | 1 |
| 168 | SPT88-01 | 2244472002 | No Hands Stickers | 2 |
| 169 | SPT88-01 | 2244472003 | Crown Cutting Label | 1 |
| 170 | SPT88-01 | 2244472004 | Spanish-French Warning | 2 |
| 171 | SPT88-01 | 2244472005 | English Warning | 2 |
| 172 | SPT88-01 | 2244472008 | Slide Cutting Label | 1 |
| 173 | SPT88-01 | 2244472006 | Nameplate | 1 |
| 183 | SPT88-01 | 5650710018 | Wave Washer | 1 |
| 188 | SPT88-01 | 2244472007 | Right Bevel Label | 1 |
| 301 | SPT88-01 | 2826622030 | Base Assembly | 1 |
| 302 | SPT88-01 | 2826622023 | Table Assembly | 1 |
| 303 | SPT88-01 | 2826622024 | Miter Detent Button Assembly | 1 |
| 304 | SPT88-01 | 2826622025 | Pivot Slide Assembly | 1 |
| 305 | SPT88-01 | 2826622031 | Clamp Assembly | 1 |
| 306 | SPT88-01 | 2826622026 | Dust Bag Assembly | 1 |
| 307 | SPT88-01 | 2826622027 | Crown Stops Assembly | 1 |
| 308 | SPT88-01 | 2826622032 | LED Assembly | 1 |
| 309 | SPT88-01 | 2826622028 | Lower Guard Assembly | 1 |
| 310 | SPT88-01 | 2826622033 | Handle Set | 1 |
| 201 | SPT88-01 | 2827563001 | Motor Housing Assembly | 1 |
| 202 | SPT88-01 | 2740499001 | Stator | 1 |
| 203 | SPT88-01 | 2751188001 | Rotor | 1 |
| 210 | SPT88-01 | 4960394001 | Brush Assembly | 1 |
| 211 | SPT88-01 | 3422334001 | Bush | 1 |
| 213 | SPT88-01 | 5700008030 | Ball Bearing | 1 |
| 214 | SPT88-01 | 5700058006 | Ball Bearing | |
| 215 | SPT88-01 | 2825984001 | Shaft Assembly | 1 |
| 225 | SPT88-01 | 3552851001 | Oil Drain Plug | 1 |
| 226 | SPT88-01 | 5670513001 | Lock Pin | 1 |
| 227 | SPT88-01 | 5640295001 | Oil Drain Plug | 1 |
| 228 | SPT88-01 | 5690217001 | O Ring | 1 |
| 229 | SPT88-01 | 3130002001 | Guide Blade | 1 |
| 230 | SPT88-01 | 2826729001 | Gear Case ASSY | 1 |
| 231 | SPT88-01 | 5700371001 | Ball Bearing | 1 |
| 234 | SPT88-01 | 3570126001 | Worm and Gear Set | 1 |
| 237 | SPT88-01 | 3660680001 | Compression Spring | 1 |
| 242 | SPT88-01 | 3422473001 | Bearing Support | 1 |

| No. | Product Model# | Part Number | Description | Qty |
|-----|----------------|-------------|--------------------------|-----|
| 243 | SPT88-01 | 3521120001 | Bearing Clamping Plate | 1 |
| 244 | SPT88-01 | 3552840001 | Bush | 1 |
| 245 | SPT88-01 | 3706587001 | Cover | 1 |
| 246 | SPT88-01 | 3129240001 | Brush Cover | 2 |
| 247 | SPT88-01 | 5690239001 | O Ring | 1 |
| 250 | SPT88-01 | 2800265001 | Brush Holder | 2 |
| 255 | SPT88-01 | 5700369001 | Ball Bearing | 1 |
| 256 | SPT88-01 | 5620620001 | Hexagon Socket Screw | 2 |
| 260 | SPT88-01 | 5690372001 | O Ring | 1 |
| 264 | SPT88-01 | 5620686001 | Screw with Washer | 3 |
| 267 | SPT88-01 | 5690376001 | O Ring | 1 |
| 269 | SPT88-01 | 5690378001 | O Ring | 1 |
| 271 | SPT88-01 | 5620687001 | Hexalobular Socket Screw | 3 |
| 273 | SPT88-01 | 5650616001 | Spring Washer | 2 |
| 274 | SPT88-01 | 3129528001 | Rubber Gasket | 1 |
| 275 | SPT88-01 | 5690374001 | Frame Seal | 1 |
| 278 | SPT88-01 | 5690375001 | Frame Seal | 1 |
| 281 | SPT88-01 | 5620608001 | Screw with Washer | 2 |
| 282 | SPT88-01 | 5690379001 | O Ring | 1 |
| 284 | SPT88-01 | 5630312001 | Nut | 1 |
| 286 | SPT88-01 | 5620609001 | Screw with Washer | 4 |
| 290 | SPT88-01 | 3129987001 | Bearing Cover | 1 |
| 291 | SPT88-01 | 5610325001 | Thread Forming Screw | 4 |
| 292 | SPT88-01 | 2825668001 | Bearing Assembly | 1 |