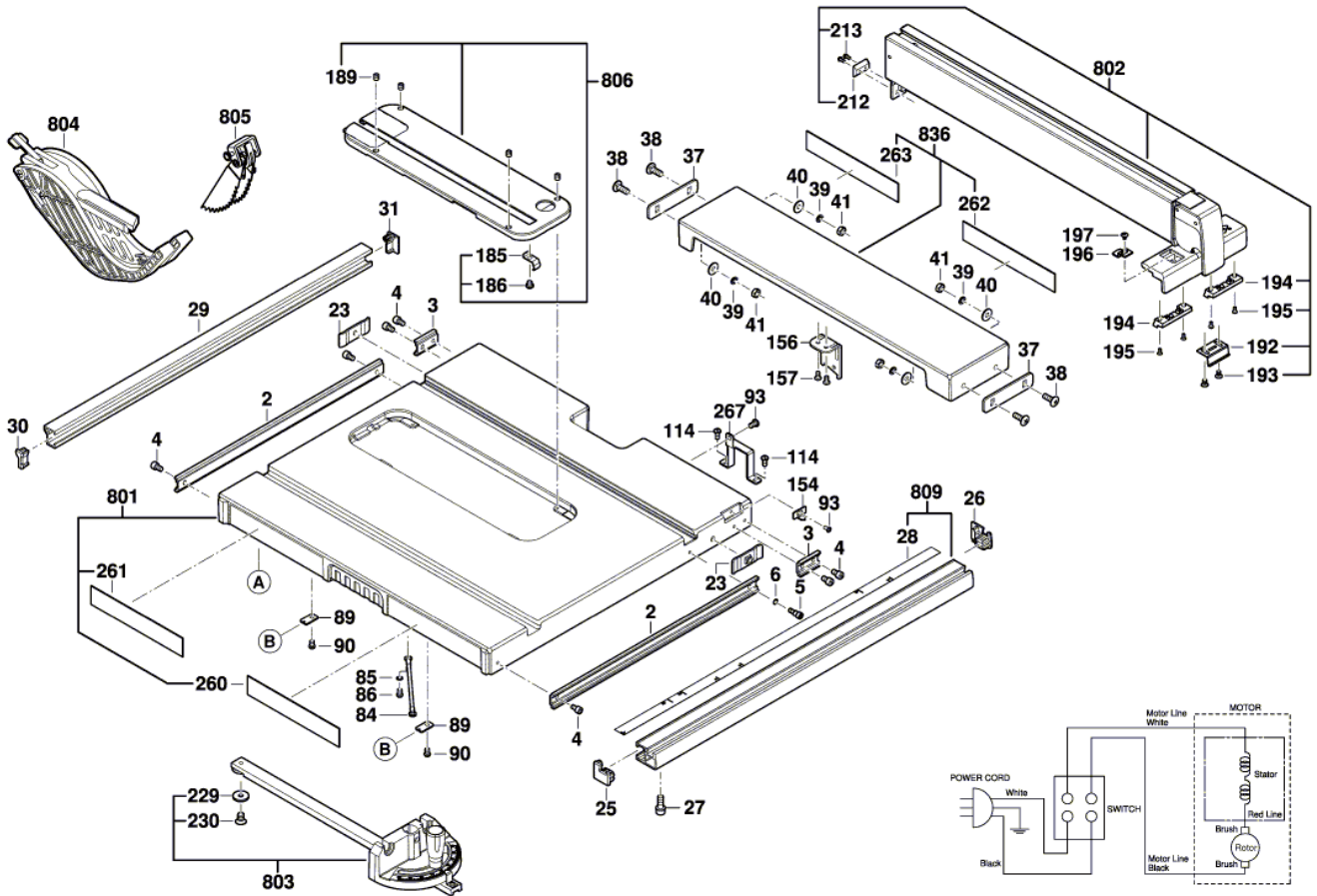
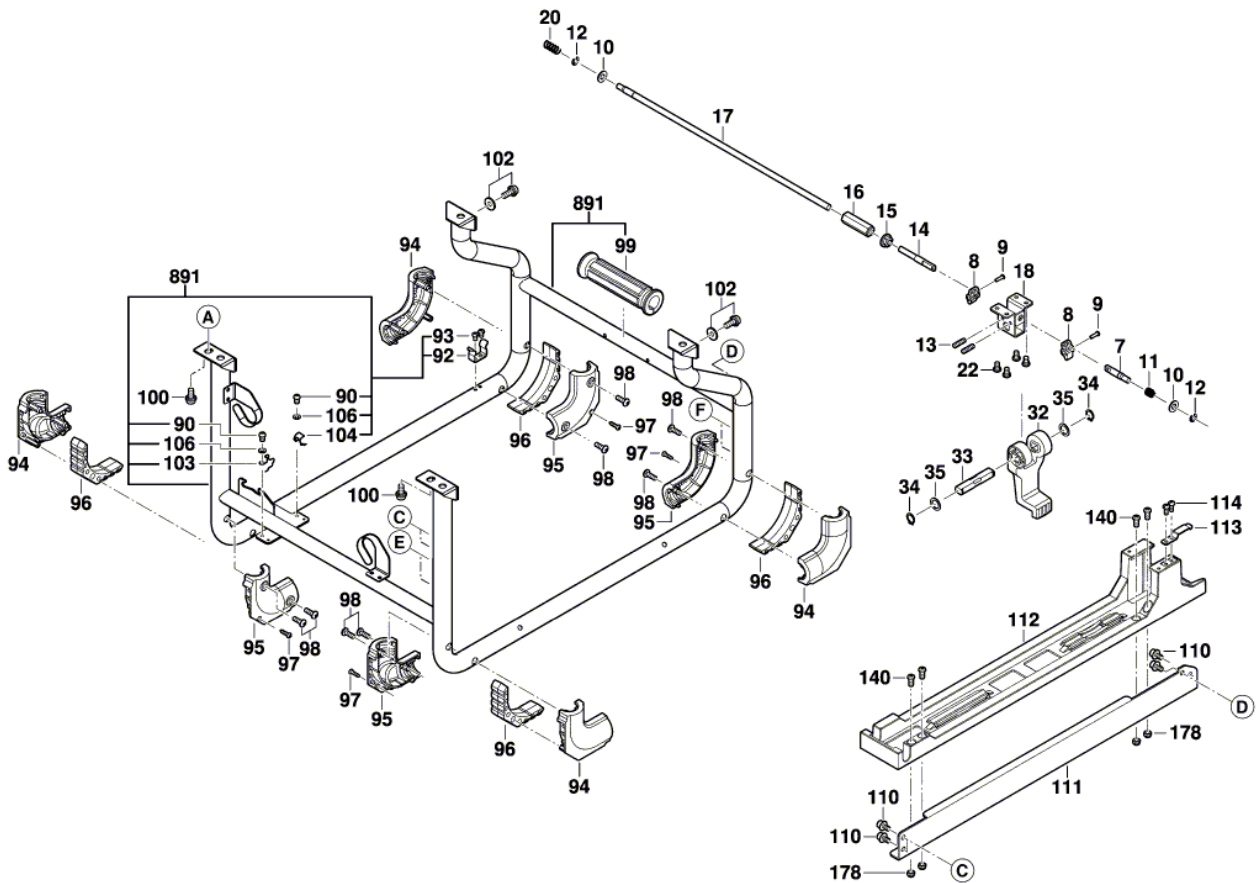




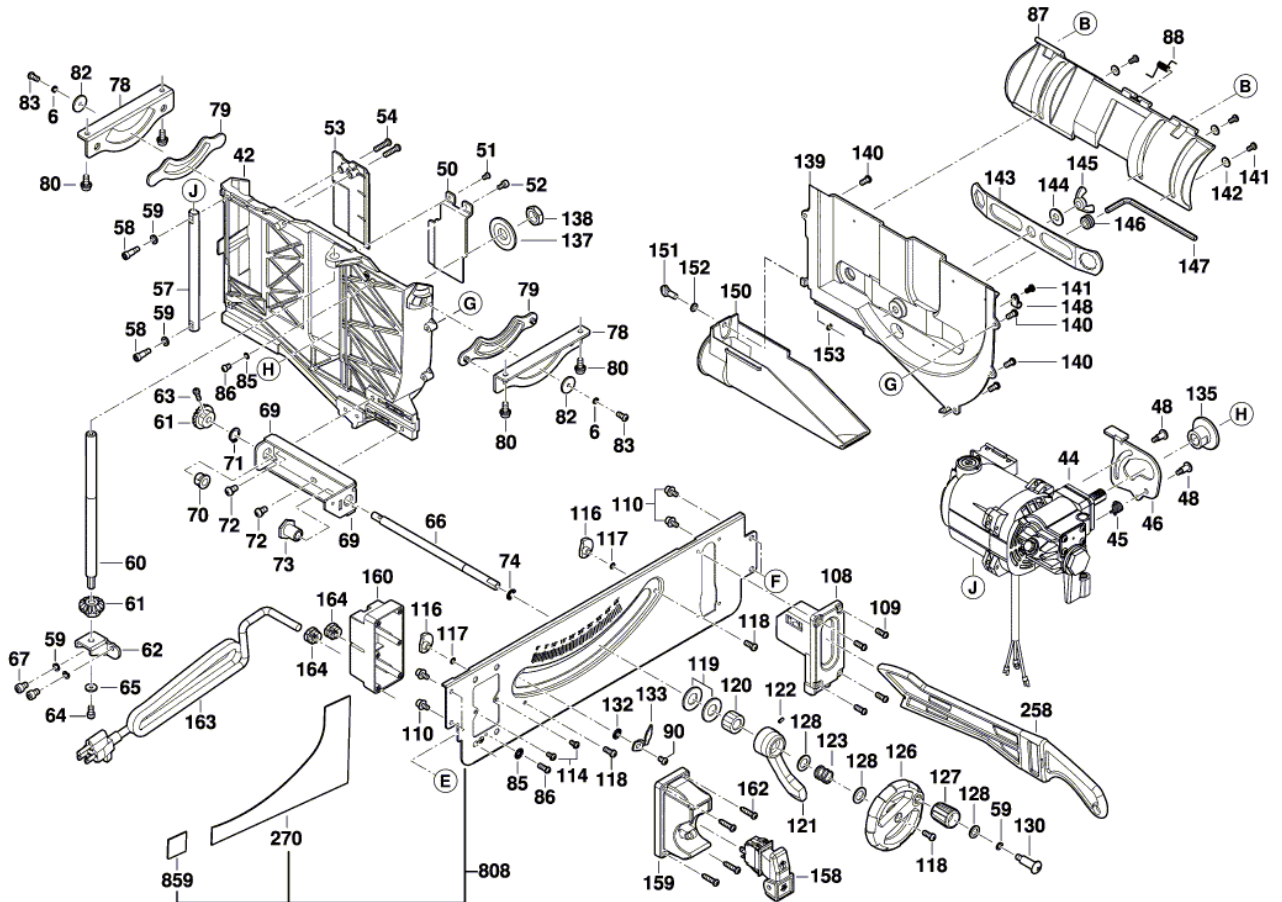
Product Description: Table Saw
Model Number: SPT70WT-22
Body Number: 0200008020
Version: A
Issue Date: 2016/02/23

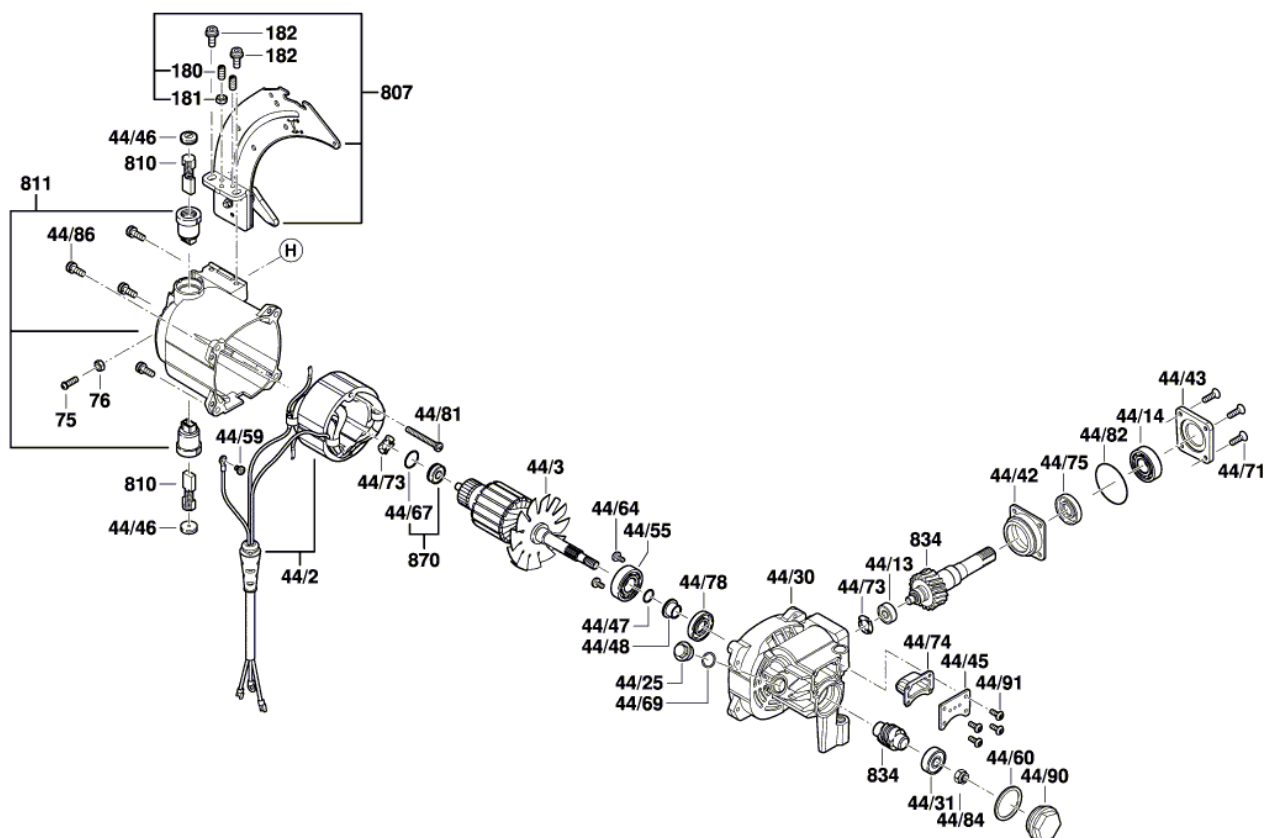






Product Description: Table Saw
Model Number: SPT70WT-22
Body Number: 0200008020
Version: A
Issue Date: 2016/02/23





No.	Product Model#	Part Number	Description	Qty
2	SPT70WT-22	3706973074	Mounting Rail	2
3	SPT70WT-22	3706973075	Sliding Plate	2
4	SPT70WT-22	5610361218	Screw	7
5	SPT70WT-22	5610361219	Hex Screw	1
6	SPT70WT-22	5650710081	Spring Washer	2
7	SPT70WT-22	3553285052	Bar	1
8	SPT70WT-22	3570037006	Eccentric	2
9	SPT70WT-22	5680258020	Rivet	2
10	SPT70WT-22	5650710109	Washer	2
11	SPT70WT-22	3660753052	Spring	1
12	SPT70WT-22	5690438045	Spring retaining ring	2
13	SPT70WT-22	3553285057	Locking Pin	2
14	SPT70WT-22	3553285053	coupling stick	1
15	SPT70WT-22	5630352029	Nut	1
16	SPT70WT-22	5630352028	Connecting Nut	1
17	SPT70WT-22	3553285058	Rod	1
18	SPT70WT-22	3706973076	Bracket	1
20	SPT70WT-22	3660753053	Compression Spring	1
22	SPT70WT-22	5610361227	Pan head screw	4
23	SPT70WT-22	3706973077	Fixing Plate	2
25	SPT70WT-22	3130253300	End cap	1
26	SPT70WT-22	3130253301	End cap	1
27	SPT70WT-22	5610361221	Hex Screw	1
28	SPT70WT-22	3130253302	Scale	1
29	SPT70WT-22	3553285054	Sliding Rail	1
30	SPT70WT-22	3130253296	End cap	1
31	SPT70WT-22	3130253297	End cap	1
32	SPT70WT-22	3130253311	Clamp Handle	1
33	SPT70WT-22	3553285055	Cam	1
34	SPT70WT-22	5660288022	Spring retaining ring	2
35	SPT70WT-22	5650710111	Plain Washer	2
37	SPT70WT-22	3706973078	Retaining Plate	2
38	SPT70WT-22	5640322019	Collar bolt	4
39	SPT70WT-22	5650710113	Spring Washer	4
40	SPT70WT-22	5650710112	Washer	4
41	SPT70WT-22	5630352038	Nut	4
42	SPT70WT-22	3706973079	Holding Plate	1
44	SPT70WT-22	0110224001	Motor assembly	1
45	SPT70WT-22	3660753045	Torsion Spring	1
46	SPT70WT-22	3706973057	Stop Plate	1
48	SPT70WT-22	5610361166	Special Screw	2
50	SPT70WT-22	3130253303	Guard Plate	1
51	SPT70WT-22	5610361160	Screw	1
52	SPT70WT-22	5610361161	Hex Screw	1
53	SPT70WT-22	3130253304	Guard Plate	1
54	SPT70WT-22	5610361167	Pan head screw	2
57	SPT70WT-22	3553285056	Rod	1
58	SPT70WT-22	5610361222	Hex Screw	2
59	SPT70WT-22	5650710090	Washer	5
60	SPT70WT-22	3553285049	Threaded Rod	1
61	SPT70WT-22	3570037005	Bevel gear	2
62	SPT70WT-22	3706973066	Support Plate	1
63	SPT70WT-22	5610361163	Screw	1

No.	Product Model#	Part Number	Description	Qty
64	SPT70WT-22	5610361165	Hex Screw	1
65	SPT70WT-22	5650710079	Plain Washer	1
66	SPT70WT-22	3553285050	Drive Shaft	1
67	SPT70WT-22	5610361209	Hex Screw	2
69	SPT70WT-22	3706973067	Support Plate	1
70	SPT70WT-22	3580000027	Bushing	1
71	SPT70WT-22	5690438036	Spring retaining ring	1
72	SPT70WT-22	5610361164	Screw	2
73	SPT70WT-22	3580000028	Bushing	1
74	SPT70WT-22	5690438044	Clip	1
75	SPT70WT-22	5610361210	Pan head screw	1
76	SPT70WT-22	5630352035	Nut	1
78	SPT70WT-22	3706973068	Support bracket	2
79	SPT70WT-22	3130253290	Bushing	2
80	SPT70WT-22	5610361211	Lock Screw	4
82	SPT70WT-22	5650710105	Washer	2
83	SPT70WT-22	5610361212	Screw	2
84	SPT70WT-22	4860645010	Grounding Cable	1
85	SPT70WT-22	5650710082	Toothed lock washer	3
86	SPT70WT-22	5610361195	Pan head screw	3
87	SPT70WT-22	3130253291	Guard Plate	1
88	SPT70WT-22	5610361181	Torsion Spring	1
89	SPT70WT-22	3130253248	Fixing Plate	2
90	SPT70WT-22	5610361169	Screw	5
92	SPT70WT-22	3130253233	Spring Plate	1
93	SPT70WT-22	5610361171	Screw	4
94	SPT70WT-22	3130253292	Foot Cover	4
95	SPT70WT-22	3130253293	Foot Cover	4
96	SPT70WT-22	3130253294	Stand Foot	4
97	SPT70WT-22	5610361213	Tapping Screw	4
98	SPT70WT-22	5610361214	Tapping Screw	8
99	SPT70WT-22	3130253305	Handle	1
100	SPT70WT-22	5610361194	Screw	2
102	SPT70WT-22	5610361215	Hex Screw	2
103	SPT70WT-22	5660288015	Spring Clip	1
104	SPT70WT-22	5660288016	Spring Clip	1
106	SPT70WT-22	5650710085	Plain Washer	2
108	SPT70WT-22	3130253234	Bar Holder	1
109	SPT70WT-22	5610361172	Pan head screw	4
110	SPT70WT-22	3130253237	Special Screw	8
111	SPT70WT-22	3706973069	Front Panel	1
112	SPT70WT-22	3130253295	Holder Plate	1
113	SPT70WT-22	3706973070	Spring Plate	1
114	SPT70WT-22	5610361174	Tapping Screw	6
116	SPT70WT-22	3130253235	Cam	2
117	SPT70WT-22	5650710087	Washer	2
118	SPT70WT-22	5610361173	Screw	3
119	SPT70WT-22	5650710096	Plain Washer	2
120	SPT70WT-22	3580000031	Bushing	1
121	SPT70WT-22	3130253238	Handle	1
122	SPT70WT-22	5610361175	Screw	1
126	SPT70WT-22	3130253239	Handwheel	1
127	SPT70WT-22	3130253240	Knob	1

No.	Product Model#	Part Number	Description	Qty
128	SPT70WT-22	5650710089	Plain Washer	1
130	SPT70WT-22	5610361176	Screw	1
132	SPT70WT-22	5650710091	Washer	1
133	SPT70WT-22	3706973071	Pointer	1
135	SPT70WT-22	3580000032	Spindle Flange	1
137	SPT70WT-22	3580000034	Clamping Flange	1
138	SPT70WT-22	5630352031	Flange nut	1
139	SPT70WT-22	3130253244	Cover	1
140	SPT70WT-22	5610361180	Screw	8
141	SPT70WT-22	5610361179	Screw	4
142	SPT70WT-22	5650710097	Washer	3
143	SPT70WT-22	5680258019	combination wrench	1
144	SPT70WT-22	5650710106	Plain Washer	1
145	SPT70WT-22	5630352036	Wing Nut	1
146	SPT70WT-22	3130253245	Rubber Bushing	1
147	SPT70WT-22	5680258017	Socket wrench	1
148	SPT70WT-22	3130253246	Cable Clip	1
150	SPT70WT-22	3130253259	Dust-Cover Holder	1
151	SPT70WT-22	5610361216	Screw	1
152	SPT70WT-22	5650710107	Washer	1
153	SPT70WT-22	5690438037	Spring retaining ring	1
154	SPT70WT-22	3706973072	Pointer	1
156	SPT70WT-22	3706973062	Support bracket	1
157	SPT70WT-22	5610361193	Screw	2
158	SPT70WT-22	4870696037	On-Off Switch	1
159	SPT70WT-22	3130253242	Switch Cover	1
160	SPT70WT-22	3130253236	Switch Housing	1
162	SPT70WT-22	5610361178	Tapping Screw	4
163	SPT70WT-22	4810237031	Power supply cord	1
164	SPT70WT-22	3130253243	Cable strain relief rail	2
178	SPT70WT-22	5630352037	Plastic Nut	4
180	SPT70WT-22	5610361196	Screw	2
181	SPT70WT-22	5630352034	Nut	1
182	SPT70WT-22	5610361182	Screw	2
185	SPT70WT-22	3660753047	Spring Plate	1
186	SPT70WT-22	5610361183	Pan head screw	1
189	SPT70WT-22	5610361184	Set screw	4
192	SPT70WT-22	3706973080	Spring Plate	1
193	SPT70WT-22	5610361223	Pan head screw	2
194	SPT70WT-22	3130253306	Pad	2
195	SPT70WT-22	5610361224	Cross Recessed-Head Screw	4
196	SPT70WT-22	3130253307	Pointer	1
197	SPT70WT-22	5610361225	Cross Recessed-Head Screw	1
212	SPT70WT-22	3130253308	Clamp block	1
213	SPT70WT-22	5610361226	Pan head screw	2
229	SPT70WT-22	5650710092	Washer	1
230	SPT70WT-22	5610361185	Screw	1
258	SPT70WT-22	3130253250	Workpiece Pusher	1
260	SPT70WT-22	2244472057	Warning Label	1
261	SPT70WT-22	2244472058	Warning Label	1
262	SPT70WT-22	2244472059	Warning Label	1
263	SPT70WT-22	2244472060	Warning Label	1
267	SPT70WT-22	3706973073	Support Plate	1

No.	Product Model#	Part Number	Description	Qty
270	SPT70WT-22	2244472061	Warning Label	1
801	SPT70WT-22	2826622152	TABLE	1
802	SPT70WT-22	2826622153	EDGE GUIDE	1
803	SPT70WT-22	2826622124	MITRE GAUGE	1
804	SPT70WT-22	2826622125	Safety Guard	1
805	SPT70WT-22	2826622113	Anti-kickback Device	1
806	SPT70WT-22	2826622139	Kerf Insert Assembly	1
807	SPT70WT-22	2826622126	Riving Knife Assembly	1
808	SPT70WT-22	2826622154	FRONT PANEL Assembly	1
809	SPT70WT-22	3403084009	Front Rail Assembly	1
836	SPT70WT-22	2826622155	Extension Table Assembly	1
859	SPT70WT-22	2244472062	NAMEPLATE	1
871	SPT70WT-22	2826622156	Service kit	1
891	SPT70WT-22	2826622157	BASE FRAME	1
893	SPT70WT-22	5610361217	Pan head screw	1
894	SPT70WT-22	3130253310	Stand Foot	3
895	SPT70WT-22	3553285051	Clip	2
896	SPT70WT-22	5680258021	Lever	2
897	SPT70WT-22	5660288020	locking ring	1
898	SPT70WT-22	3130253309	Adjustable Foot	1
899	SPT70WT-22	3580000035	Flange	1
44/2	SPT70WT-22	2740475001	Field	1
44/3	SPT70WT-22	2751154001	Armature	1
44/13	SPT70WT-22	5700008030	Deep-Groove Ball Bearing	1
44/14	SPT70WT-22	5700058006	Ball Bearing	1
44/25	SPT70WT-22	3552851001	Oil Drain Plug	1
44/30	SPT70WT-22	3422138001	Gear Housing	1
44/31	SPT70WT-22	5700013012	Ball Bearing	1
44/42	SPT70WT-22	3422074001	Bearing Plate	1
44/43	SPT70WT-22	3521052001	Guard Plate	1
44/45	SPT70WT-22	3706508001	Cover	1
44/46	SPT70WT-22	3129240001	Device cap	2
44/47	SPT70WT-22	5690368001	O-Ring	1
44/48	SPT70WT-22	3552844001	Collar	1
44/55	SPT70WT-22	5700058007	BallBearing	1
44/59	SPT70WT-22	5610334001	Screw	1
44/60	SPT70WT-22	5690372001	O-Ring	1
44/64	SPT70WT-22	5610325001	Contact Screw	3
44/67	SPT70WT-22	5690376001	O-Ring	1
44/69	SPT70WT-22	5690378001	O-Ring!B	1
44/71	SPT70WT-22	5610340001	Screw	4
44/73	SPT70WT-22	5650616001	Spring Washer	2
44/74	SPT70WT-22	3129340001	Rubber Gasket	1
44/75	SPT70WT-22	5690374001	Seal	1
44/78	SPT70WT-22	5690375001	Seal	1
44/81	SPT70WT-22	5610339001	Screw	2
44/82	SPT70WT-22	5690379001	O-Ring	1
44/84	SPT70WT-22	5630312001	Nut	1
44/86	SPT70WT-22	5620609001	Screw	4
44/90	SPT70WT-22	3129151001	BearingCover!B	1
44/91	SPT70WT-22	5610326001	Screw	4
810	SPT70WT-22	4960369001	Carbon-Brush Set	1
811	SPT70WT-22	2826106001	Motor Housing	1

No.	Product Model#	Part Number	Description	Qty
834	SPT70WT-22	2826105001	Set Of Gears	1
870	SPT70WT-22	2825668001	Bearing Assembly	1