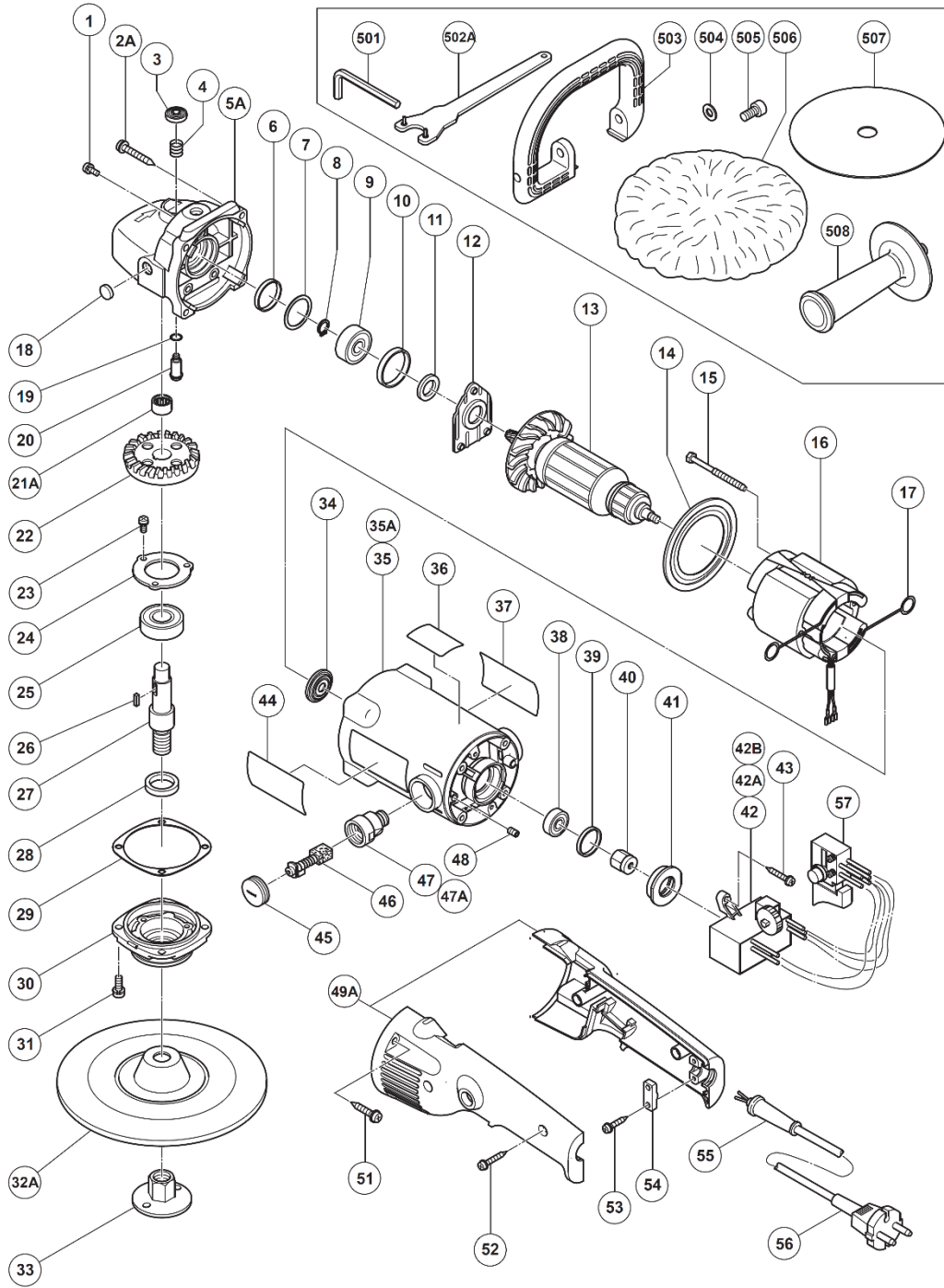


## ELECTRIC TOOL PARTS LIST

**ELECTRONIC SANDER POLISHER**  
**Model SP 18VA(H)**

**2019 • 03 • 26**  
**(E1a)**



## PARTS

SP18VA(H)

| ITEM NO. | CODE NO. | DESCRIPTION                               | NO. USED | REMARKS  |
|----------|----------|---|----------|--|
| 1        | 303255   | SEAL LOCK SCREW (W/SP. WASHER) M4X10      | 3        |  |
| 2A       | 333713   | TAPPING SCREW (W/FLANGE) D5X30 (BLACK)    | 4        |  |
| 3        | 306888   | PUSHING BUTTON                            | 1        |  |
| 4        | 306889   | SPRING                                    | 1        |  |
| 5A       | 320936   | GEAR COVER ASS'Y                          | 1        | INCLUD.3.4.18-21A                                |
| 6        | 315055   | SEAL RING (A)                             | 1        |  |
| 7        | 315054   | WASHER (A)                                | 1        |  |
| 8        | 939540   | RETAINING RING FOR D10 SHAFT (10 PCS.)    | 1        |  |
| 9        | 6200DD   | BALL BEARING 6200DDCMPS2L                 | 1        |  |
| 10       | 315053   | RUBBER RING (A)                           | 1        |  |
| 11       | 315052   | FELT PACKING (B)                          | 1        |  |
| 12       | 315051   | BEARING COVER (B)                         | 1        |  |
| *13      | 360576U  | ARMATURE ASS'Y 110V-120V                  | 1        | INCLUD.9.11.34.38                                |
| 14       | 315046   | FAN GUIDE                                 | 1        |  |
| 15       | 961501   | HEX. HD. TAPPING SCREW D5X60              | 2        |  |
| *16      | 340526D  | STATOR ASS'Y 120V                         | 1        | INCLUD.17  |
| 17       | 930703   | BRUSH TERMINAL                            | 2        |  |
| 18       | 315049   | FELT WASHER                               | 1        |  |
| 19       | 320218   | O-RING                                    | 1        |  |
| 20       | 315050   | LOCK PIN                                  | 1        |  |
| 21A      | 331359   | NEEDLE BEARING (HK1210FM)                 | 1        |  |
| 22       | 320937   | GEAR                                      | 1        |  |
| 23       | 987201   | SEAL LOCK SCREW (W/SP. WASHER) M4X10      | 3        |  |
| 24       | 937077   | BEARING COVER (A)                         | 1        |  |
| 25       | 6202DD   | BALL BEARING 6202DD                       | 1        |  |
| 26       | 940533   | FEATHER KEY 3X3X10                        | 1        |  |
| *27      | 320944   | SPINDLE                                   | 1        | FOR USA.CAN.MEX.PAN (120V)                       |
| 28       | 315062   | FELT PACKING (A)                          | 1        |  |
| 29       | 315060   | SEAL PACKING                              | 1        |  |
| 30       | 315061   | PACKING GLAND                             | 1        |  |
| 31       | 315636   | SEAL LOCK SCREW (W/SP.WASHER)M5X14(BLACK) | 4        |  |
| *32      | 953255   | RUBBER PAD (D16 HOLE)                     | 1        | FOR USA.CAN                                      |
| *32A     | 321645   | BACKING PAD 5/8"-11UNC                    | 1        | FOR USA.CAN.MEX.PAN (120V)                       |
| *33      | 953254P  | WASHER NUT 5/8"-11UNC                     | 1        | FOR USA.CAN                                      |
| 34       | 315047   | DUST SEAL                                 | 1        |  |
| *35A     | 370928   | HOUSING ASS'Y                             | 1        | INCLUD.39.41.47A.48 FOR USA.CAN                  |
| 36       | 320948   | SETTING LABEL                             | 1        |  |
| 37       |          | NAME PLATE                                | 1        |  |
| 38       | 608VVM   | BALL BEARING 608VVC2PS2L                  | 1        |  |
| 39       | 995662   | RUBBER RING                               | 1        |  |
| 40       | 318721   | MAGNET                                    | 1        |  |
| 41       | 320946   | BEARING BUSHING                           | 1        |  |
| *42B     | 371220   | CONTROLLER 100V-127V                      | 1        | FOR GBR (110V).USA.CAN.MEX.BRA (127V).PAN (120V) |
| 43       | 305095   | TAPPING SCREW (W/FLANGE) D4X20            | 2        |  |
| 44       |          | BRAND LABEL                               | 1        |  |
| 45       | 945161   | BRUSH CAP                                 | 2        |  |
| 46       | 999043   | CARBON BRUSH (1 PAIR)                     | 2        |  |
| *47A     | 370926   | BRUSH HOLDER                              | 2        | FOR USA.CAN                                      |
| 48       | 938477   | HEX. SOCKET SET SCREW M5X8                | 2        |  |
| 49A      | 334722   | HANDLE (A).(B) SET                        | 1        |  |
| 51       | 302089   | TAPPING SCREW (W/FLANGE) D5X20 (BLACK)    | 4        |  |
| 52       | 302086   | TAPPING SCREW (W/FLANGE) D4X20 (BLACK)    | 2        |  |
| 53       | 984750   | TAPPING SCREW (W/FLANGE) D4X16            | 2        |  |
| 54       | 937631   | CORD CLIP                                 | 1        |  |
| 55       | 953327   | CORD ARMOR D8.8                           | 1        |  |
| *56      | 500241Z  | CORD                                      | 1        | (CORD ARMOR D8.8) FOR USA.CAN.MEX.PAN (120V)     |
| 57       | 321449   | SWITCH (1P PILLAR TYPE) W/LOCK            | 1        |  |
|          |          |   |          |  |
|          |          |   |          |  |
|          |          |   |          |  |
|          |          |   |          |  |
|          |          |   |          |  |
|          |          |   |          |  |
|          |          |   |          |  |
|          |          |   |          |  |
|          |          |   |          |  |
|          |          |   |          |  |

## STANDARD ACCESSORIES

SP18VA(H)

| ITEM NO. | CODE NO. | DESCRIPTION                           | NO. USED | REMARKS                           |
|----------|----------|---------------------------------------|----------|-----------------------------------|
| 501      | 955857   | HEX. BAR WRENCH 8MM                   | 1        |                                   |
| 502A     | 325491   | WRENCH                                | 1        | EXCEPT FOR USA.CAN.MEX.PAN (120V) |
| 503      | 320949   | LOOP HANDLE                           | 1        |                                   |
| 504      | 949434   | BOLT WASHER M10 (10 PCS.)             | 2        |                                   |
| 505      | 949844   | HEX. SOCKET HD. BOLT M10X20 (10 PCS.) | 2        |                                   |
|          |          |                                       |          |                                   |
|          |          |                                       |          |                                   |
|          |          |                                       |          |                                   |
|          |          |                                       |          |                                   |
|          |          |                                       |          |                                   |
|          |          |                                       |          |                                   |
|          |          |                                       |          |                                   |
|          |          |                                       |          |                                   |
|          |          |                                       |          |                                   |
|          |          |                                       |          |                                   |
|          |          |                                       |          |                                   |
|          |          |                                       |          |                                   |
|          |          |                                       |          |                                   |

## OPTIONAL ACCESSORIES

| ITEM NO. | CODE NO. | DESCRIPTION                          | NO. USED | REMARKS                           |
|----------|----------|--------------------------------------|----------|-----------------------------------|
| 601      | 314084   | SANDING DISCS 180MM C-P16 (10 PCS.)  | 1        |                                   |
| 602      | 314085   | SANDING DISCS 180MM C-P20 (10 PCS.)  | 1        |                                   |
| 603      | 314086   | SANDING DISCS 180MM C-P24 (10 PCS.)  | 1        |                                   |
| 604      | 314088   | SANDING DISCS 180MM C-P36 (10 PCS.)  | 1        |                                   |
| 605      | 314089   | SANDING DISCS 180MM C-P40 (10 PCS.)  | 1        |                                   |
| 606      | 314090   | SANDING DISCS 180MM C-P50 (10 PCS.)  | 1        |                                   |
| 607      | 314091   | SANDING DISCS 180MM C-P60 (10 PCS.)  | 1        |                                   |
| 608      | 314093   | SANDING DISCS 180MM C-P100 (10 PCS.) | 1        |                                   |
| *609     | 949103   | WOOL BONNET 180MM                    | 1        | FOR FRA.SUI.USA.CAN.MEX.PAN(120V) |
| 610      | 994322   | SIDE HANDLE                          | 1        |                                   |
| *611     | 331744   | SPONGE PAD 170MM (MAGIC TYPE)        | 1        | FOR USA.CAN.MEX                   |
|          |          |                                      |          |                                   |
|          |          |                                      |          |                                   |
|          |          |                                      |          |                                   |
|          |          |                                      |          |                                   |
|          |          |                                      |          |                                   |
|          |          |                                      |          |                                   |
|          |          |                                      |          |                                   |
|          |          |                                      |          |                                   |
|          |          |                                      |          |                                   |
|          |          |                                      |          |                                   |
|          |          |                                      |          |                                   |
|          |          |                                      |          |                                   |
|          |          |                                      |          |                                   |
|          |          |                                      |          |                                   |
|          |          |                                      |          |                                   |
|          |          |                                      |          |                                   |
|          |          |                                      |          |                                   |
|          |          |                                      |          |                                   |
|          |          |                                      |          |                                   |
|          |          |                                      |          |                                   |
|          |          |                                      |          |                                   |
|          |          |                                      |          |                                   |
|          |          |                                      |          |                                   |
|          |          |                                      |          |                                   |
|          |          |                                      |          |                                   |



Koki Holdings America Ltd. [www.metabo-hpt.com](http://www.metabo-hpt.com) 1.800.829.4752