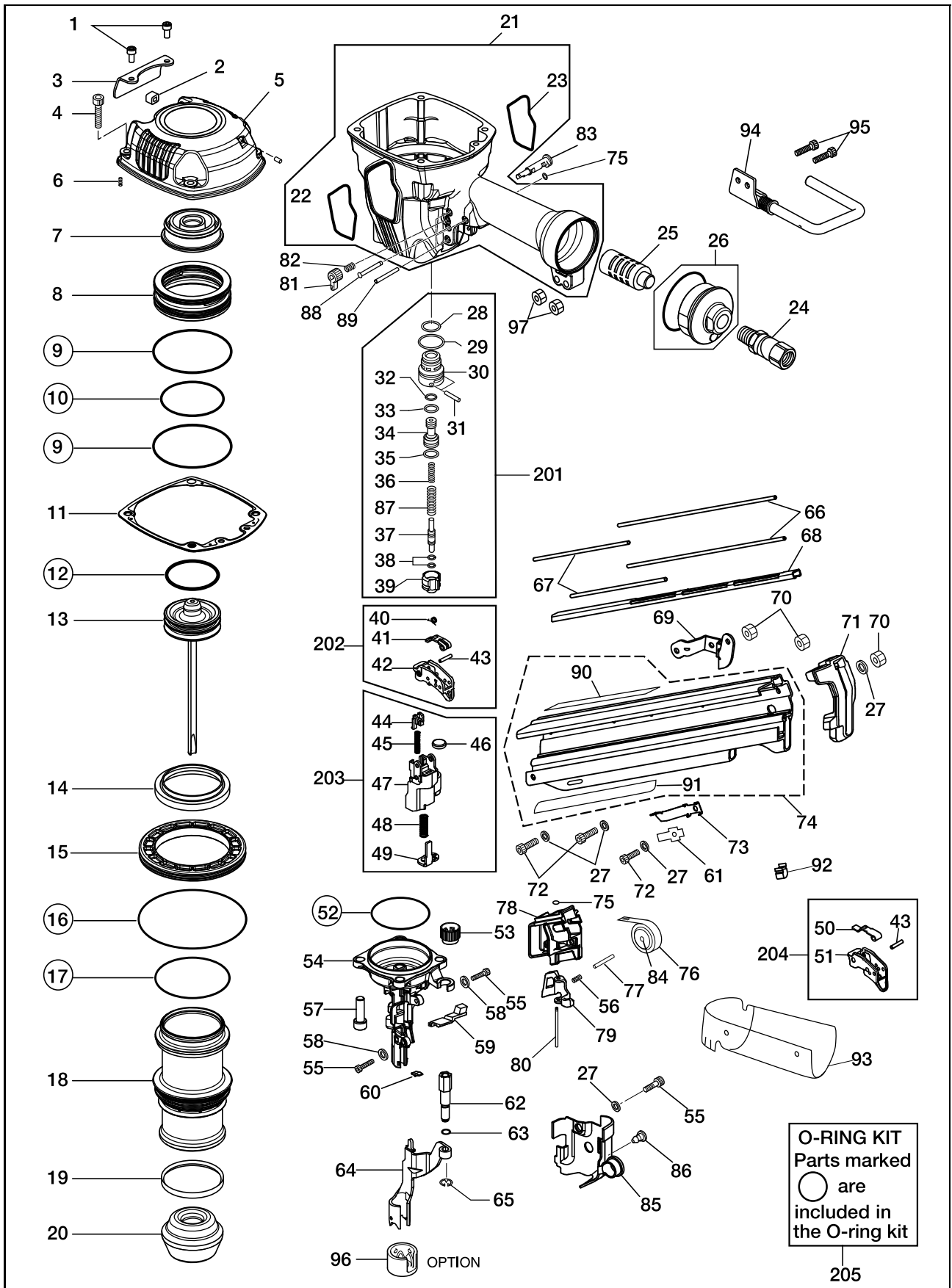


# SN883CH2/28

EXPLODED VIEW  
AND SPARE PARTS LIST

SCHEMA ECLATE ET LISTE DES  
PIECES DE RECHANGE

DESPIECE DE LA MAQUINA Y LISTA  
DE RECAMBIOS



Tool Model	INDEX	CODE	DESCRIPTION
SN883CH2/28	1	KN12666	SCREW 5X12
SN883CH2/28	2	KN12678	EXHAUST GUIDE
SN883CH2/28	3	KN12194	EXHAUST COVER
SN883CH2/28	4	KN12669	SCREW 6X28
SN883CH2/28	5	KN70168	CYLINDER CAP UNIT
SN883CH2/28	6	KK24182	COMPRESSION SPRING 4182
SN883CH2/28	7	CN38169	PISTON STOP
SN883CH2/28	8	KN12656	HEAD VALVE PISTON
SN883CH2/28	9	KN12650	O-RING AS568-150
SN883CH2/28	10	KN12645	O-RING AS568-142
SN883CH2/28	11	KN70142	CYLINDER CAP SEAL UNIT
SN883CH2/28	12	KN12613	O-RING 4.5X48.8
SN883CH2/28	13	KN70136	MAIN PISTON UNIT
SN883CH2/28	14	KN12628	CYLINDER SEAL
SN883CH2/28	15	KN12190	CYLINDER RING
SN883CH2/28	16	KN12649	O-RING 1AG100
SN883CH2/28	17	KN12648	O-RING 1AG70
SN883CH2/28	18	KN12634	CYLINDER
SN883CH2/28	19	KN12614	CHECK PAWL
SN883CH2/28	20	KN12193	BUMPER
SN883CH2/28	21	KN81069	FRAME
SN883CH2/28	22	KN12205	NAME LABEL A
SN883CH2/28	23	KN12206	NAME LABEL B
SN883CH2/28	24	TT05426	AIR PLUG FMP3B
SN883CH2/28	25	CN35685	END CAP FILTER SA-10
SN883CH2/28	26	KN81039	END CAP ASSY
SN883CH2/28	27	EE31121	WASHER 1-5 (BLACK)
SN883CH2/28	28	KN12643	O-RING 1AP12
SN883CH2/28	29	KN12644	O-RING 1AP20
SN883CH2/28	30	CN33909	TRIGGER VALVE HOUSING
SN883CH2/28	31	KN12660	STRAIGHT PIN 2660
SN883CH2/28	32	KN12642	O-RING 1AP6
SN883CH2/28	33	HH11209	O-RING 1BP7 N10028
SN883CH2/28	34	CN31589	PILOT VALVE
SN883CH2/28	35	KN12641	O-RING 1AP9
SN883CH2/28	36	KN12654	COMPRESSION SPRING 2654
SN883CH2/28	37	KN12658	TRIGGER VALVE STEM
SN883CH2/28	38	KN12647	O-RING 1B 1.4X2.5
SN883CH2/28	39	CN33910	TRIGGER VALVE CAP
SN883CH2/28	40	KK33404	SPRING 3404
SN883CH2/28	41	KN12729	CONTACT LEVER DS
SN883CH2/28	42	CN35648	TRIGGER
SN883CH2/28	43	FF22402	SPRING PIN 3X16 (LIGHT LOAD)
SN883CH2/28	44	KN12734	TRIGGER PUSHER
SN883CH2/28	45	KK23129	COMPRESSION SPRING 3129
SN883CH2/28	46	KN12618	EXHAUST SEAL
SN883CH2/28	47	KN12730	STEP PIN 8025
SN883CH2/28	48	KK23973	COMP SPIRNG 3973
SN883CH2/28	49	KN12731	CONTACT ARM A
SN883CH2/28	50	KN12728	CONTACT LEVER CT
SN883CH2/28	51	CN35714	TRIGGER
SN883CH2/28	52	KN12651	O-RING AS568-144
SN883CH2/28	53	KN12200	ADJUST DIAL
SN883CH2/28	54	KN12404	NOSE
SN883CH2/28	55	KN12668	SCREW 5X10

Tool Model	INDEX	CODE	DESCRIPTION
SN883CH2/28	56	KN12720	COMPRESSION SPRING 2720
SN883CH2/28	57	KN12670	SCREW 8X28
SN883CH2/28	58	KN12619	PLANE WASHER 5.1X12X1.2
SN883CH2/28	59	KN12717	MAGAZINE GUIDE B REPLACES KN12224, KN12540
SN883CH2/28	60	KN12616	MAGAZINE GUIDE A
SN883CH2/28	61	KN12420	NAIL STOPPER B
SN883CH2/28	62	KN12222	CONTACT BOLT
SN883CH2/28	63	KN12652	O-RING 1A 1.5X5
SN883CH2/28	64	KN70120	CONTACT ARM B UNIT
SN883CH2/28	65	KN12672	E-RETAINING RING 5
SN883CH2/28	66	KN12624	NAIL GUIDE B
SN883CH2/28	67	KN12722	NAIL GUIDE A
SN883CH2/28	68	KN12407	NAIL COVER
SN883CH2/28	69	KN12409	TAIL HANGER
SN883CH2/28	70	CC49411	SPECIAL NUT M5(REPLACES TA15554)
SN883CH2/28	71	KN12410	TAIL COVER
SN883CH2/28	72	KN12667	SCREW 5X14
SN883CH2/28	73	KN12419	NAIL STOPPER
SN883CH2/28	74	KN70186	MAGAZINE ASSY
SN883CH2/28	75	EE39609	RUBBER WASHER 1.8X6X2
SN883CH2/28	76	KN12719	SPIRAL SPRING 2719
SN883CH2/28	77	KN12661	PARALLEL PIN 2661
SN883CH2/28	78	KN12412	PUSHER HOLDER
SN883CH2/28	79	KN12411	PUSHER
SN883CH2/28	80	FF31607	PIN 1607
SN883CH2/28	81	KN12622	TRIGGER LOCK LEVER
SN883CH2/28	82	KK23507	SPRING 3507
SN883CH2/28	83	KN12621	TRIGGER LOCK DIAL
SN883CH2/28	84	KN12723	SPRING COLLAR
SN883CH2/28	85	KN12231	ARM COVER
SN883CH2/28	86	CN31083	HOOK, DUST COVER
SN883CH2/28	87	KN12655	COMPRESSION SPRING 2655
SN883CH2/28	88	FF41870	STEP PIN 1870
SN883CH2/28	89	FF21235	SPRING PIN 3X30
SN883CH2/28	90	KN12736	WARNING LABEL
SN883CH2/28	91	KN12741	NAME LABEL
SN883CH2/28	92	KN12418	DUST COVER HOLDER
SN883CH2/28	93	KN12415	DUST COVER
SN883CH2/28	94	KN70182	HOOK ASSY
SN883CH2/28	95	BB40470	SCREW 5X32
SN883CH2/28	96	KN11237	CONTACT TIP
SN883CH2/28	97	CN38310	HEXAGON NUT WITH FLANGE M5
SN883CH2/28	201	KN81017	TRIGGER VALVE KIT
SN883CH2/28	202	KN70180	DS TRIGGER ASSY
SN883CH2/28	203	KN70187	ARM GUIDE KIT
SN883CH2/28	204	KN70181	CT TRIGGER ASSY
SN883CH2/28	205	KN81074	O-RING KIT