

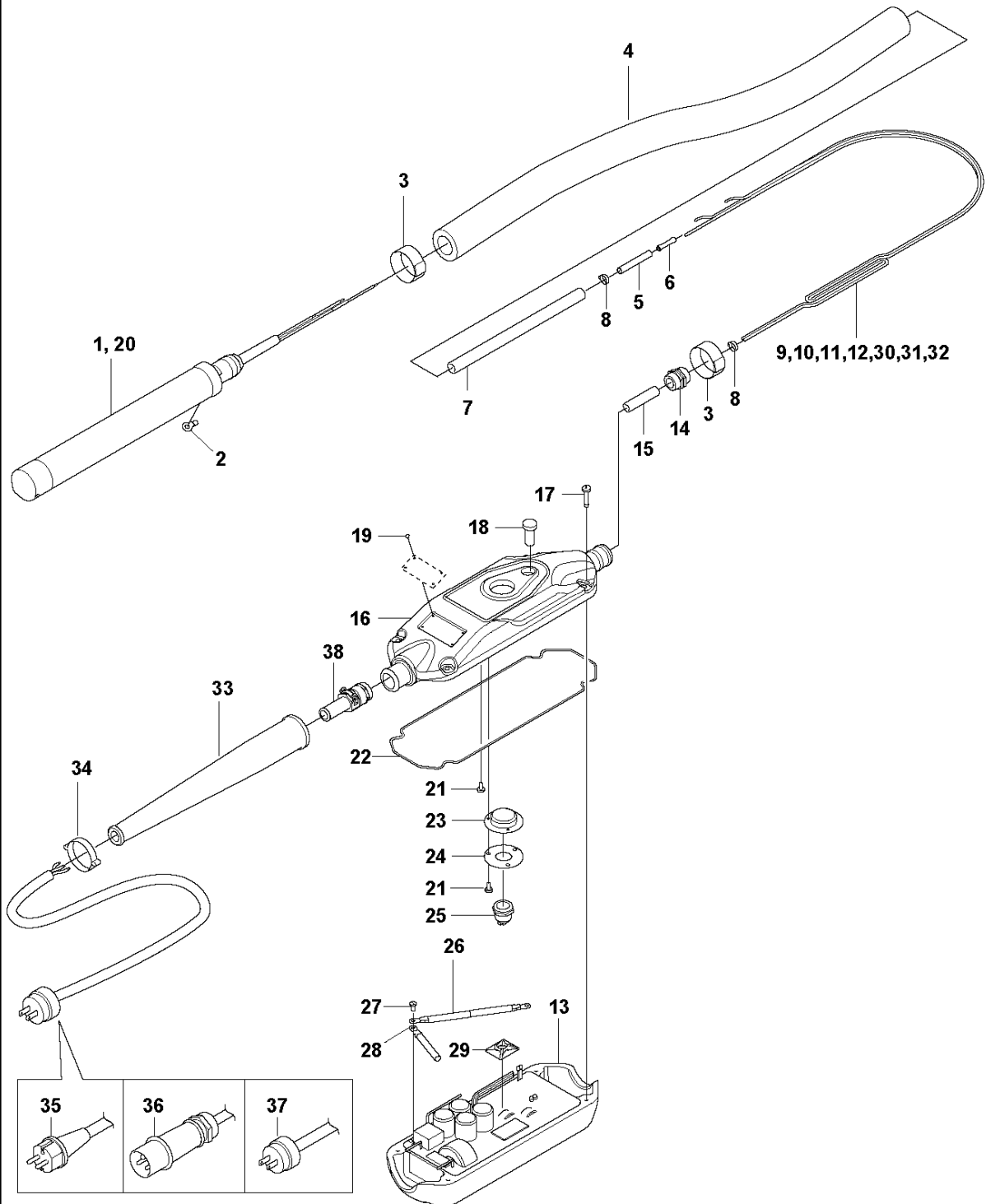


SPARE PARTS LIST

POKERS

SMART 40/SMART 40E, 967855802,
967855803, 967855804, 967855805,
967855806, 2019-08

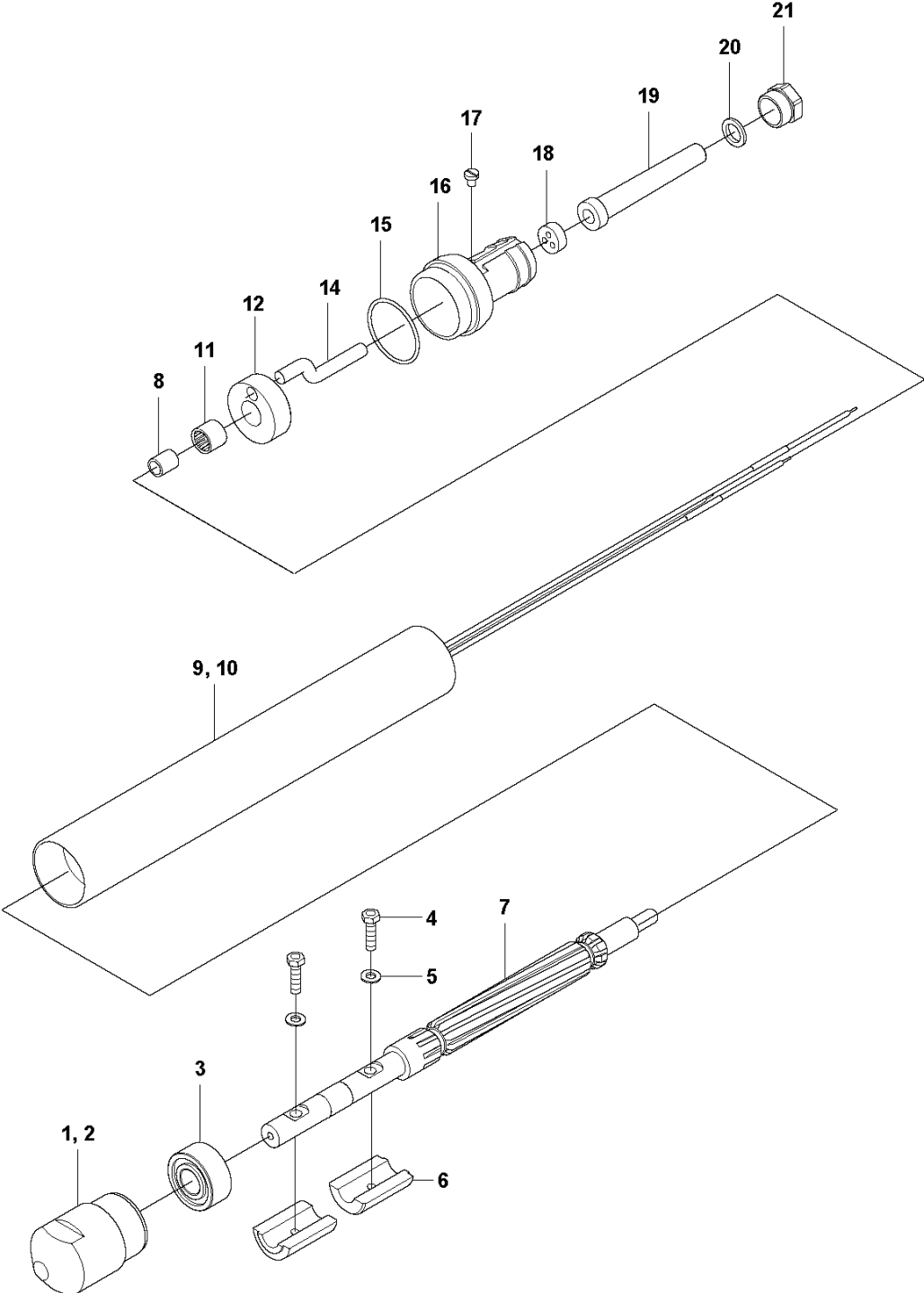
A SMART 40
PRODUCT COMPLETE



PRODUCT COMPLETE SMART 40/SMART 40E, 967855802, 967855803, 967855804, 967855805, 967855806, 2019-08

Ref	Part No	Description	Remark	QTY KIT
1	594 62 68-01	HEAD	Vibrating head SMART 40 230V	1
2	594 79 47-01	CLIP		1
3	594 28 17-01	CLAMP		2
4	594 38 84-05	HOSE		1
5	594 25 75-01	INSULATION		3
6	595 11 85-01	SLEEVE		8
7	594 25 49-04	HOSE		1
8	594 28 64-01	CLAMP		7
9	594 28 77-02	CABLE	White wire	1
10	598 47 91-02	WIRE	Red wire	1
11	594 28 59-03	WIRE	Blue wire	1
12	594 52 78-04	CABLE	Ground wire, yellow/green	1
13	594 61 98-01	UNIT		1
14	594 40 88-01	BOX		1
15	594 25 71-02	HOSE		1
16	594 62 30-01	COVER		1
17	594 62 04-01	SCREW	M5x30 DIN 7500C	4
18	594 62 02-01	HANDLE		1
19	595 14 14-01	RIVET		4
20	595 52 53-01	HEAD	Vibrating head SMART 40 115V	1
21	594 62 03-01	SCREW	M4x8 DIN 7500	4
22	594 62 14-01	O-RING	233x3 NBR 70 shore	1
23	594 61 99-01	DIAPHRAGM		1
24	594 62 00-01	PLATE		1
25	594 62 01-01	SWITCH		1
26	594 63 07-01	WIRE		1
27	594 28 61-01	SCREW	M4x8 BRASS DIN84A	1
28	594 85 36-01	UNIT		1
29	595 19 65-01	CLIP		1
30	595 19 66-01	WIRE	White wire, ETL poker, US	1
31	595 19 67-01	WIRE	Blue wire, ETL poker, US	1
32	598 47 92-01	WIRE	Red wire, ETL poker, US	1
33	594 25 68-01	SHEET		1
34	594 25 52-01	CLAMP		1
35	595 04 52-01	CABLE	Cable with plug EU 230 V	1
36	594 62 33-01	CABLE	Cable with plug UK 115 V	1
37	595 19 68-01	PLUG	Cable with plug US 115 V cETLus	1
38	594 61 93-01	PISTON		1

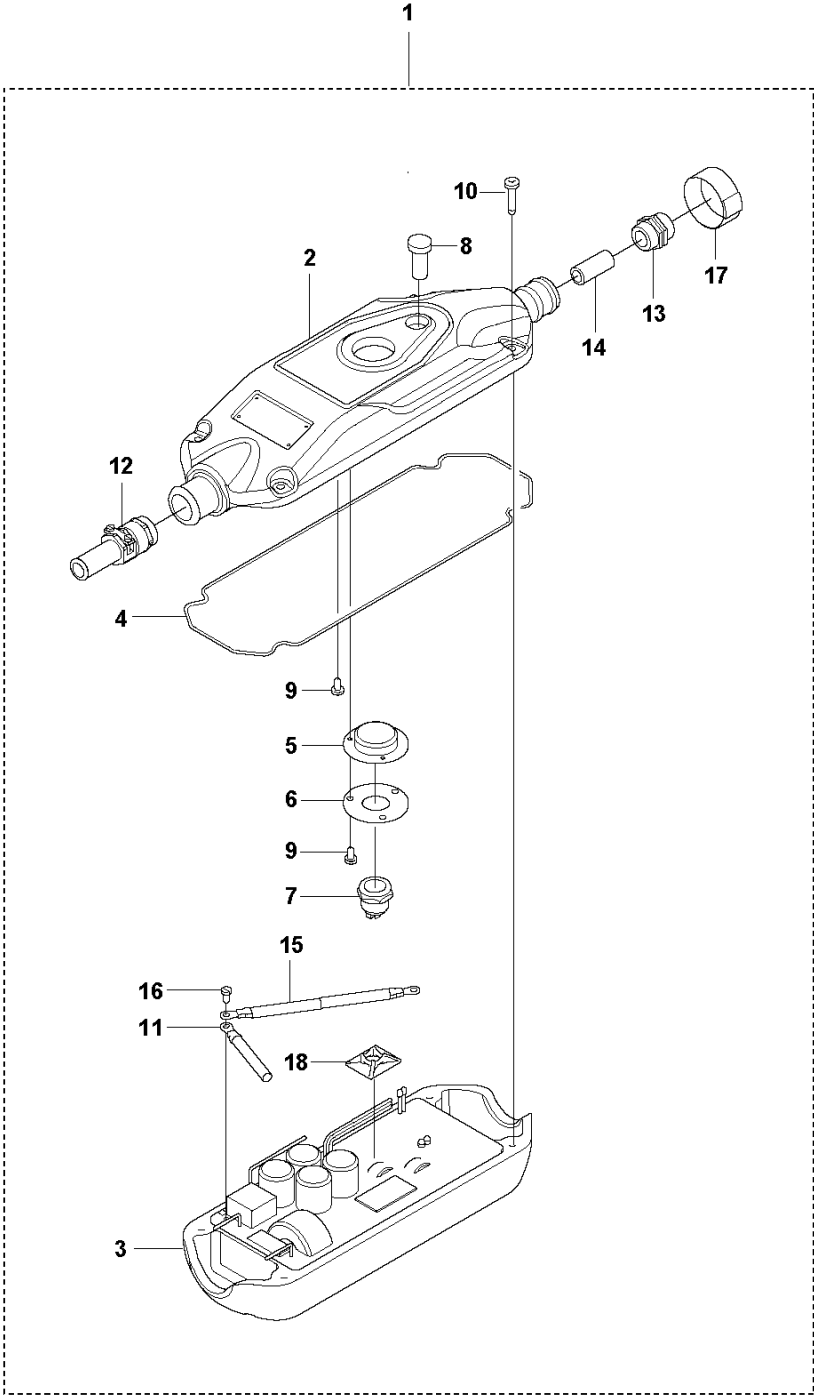
C SMART 40 / SMART 40E
VIBRATOR



VIBRATOR SMART 40/SMART 40E, 967855802, 967855803, 967855804, 967855805, 967855806,
2019-08

Ref	Part No	Description	Remark	QTY KIT
1	594 29 01-01	CAP		1
2	595 15 67-01	CAP	Rubber end cap, optional	1
3	594 29 03-01	BEARING	FAG 4201 B TVH-C3	1
4	594 28 65-01	SCREW	M5x18 ISO 4017 8.8 A2K	2
5	594 39 93-01	WASHER	ZM5 NFE25-511 FZB	2
6	594 29 02-01	EXCENTER		2
7	594 26 23-01	ROTOR		1
8	594 27 23-01	BUSHING		1
9	594 62 15-01	TUBE	Stator, complete 230 V	1
10	594 86 02-01	TUBE	Stator, complete 115 V	1
11	594 27 22-01	BEARING	HK 1012 B	1
12	594 62 16-01	BEARING		1
14	595 14 90-01	HOSE		1
15	594 26 80-01	O-RING	33.05x1.78 NBR 70 shore	1
16	595 15 60-01	NIPPLE		1
17	594 27 27-01	SCREW	M4x5 BRASS DIN84A	1
18	594 28 90-01	GASKET		1
19	594 29 04-01	PROTECTION		1
20	594 28 75-01	RING		1
21	594 28 73-01	SCREW		1

D SMART 40 / SMART 40E
ELECTRONIC CONVERTER

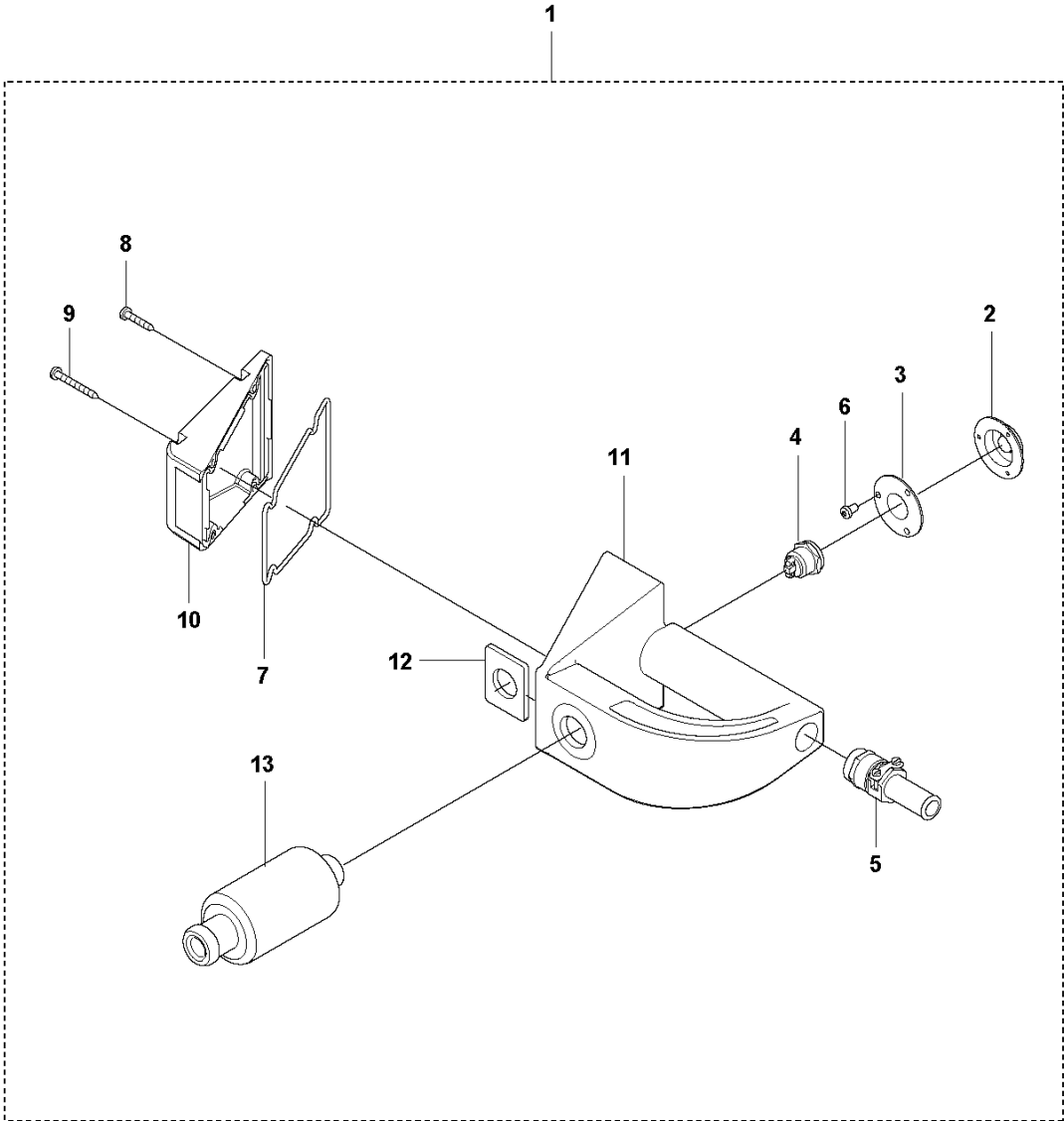


ELECTRONIC CONVERTER
 967855805, 967855806, 2019-08

SMART 40/SMART 40E, 967855802, 967855803, 967855804,

Ref	Part No	Description	Remark	QTY KIT	
1	598 48 80-01	ELECTRONIC BOX	Kit without cable	1	
2	594 62 30-01	COVER		1	1
3	594 61 98-01	UNIT		1	1
4	594 62 14-01	O-RING	233x3 NBR 70 shore	1	1
5	594 61 99-01	DIAPHRAGM		1	1
6	594 62 00-01	PLATE		1	1
7	594 62 01-01	SWITCH		1	1
8	594 62 02-01	HANDLE		1	1
9	594 62 03-01	SCREW	M4x8 DIN 7500	4	1
10	594 62 04-01	SCREW	M5x30 DIN 7500C	4	1
11	594 85 36-01	UNIT		1	1
12	594 61 93-01	PISTON		1	1
13	594 40 88-01	BOX		1	1
14	594 25 71-01	HOSE		1	1
15	594 63 07-01	WIRE		1	1
16	594 28 61-01	SCREW	M4x8 BRASS DIN84A	1	1
17	594 28 17-01	CLAMP		1	1
18	595 19 65-01	CLIP		1	1

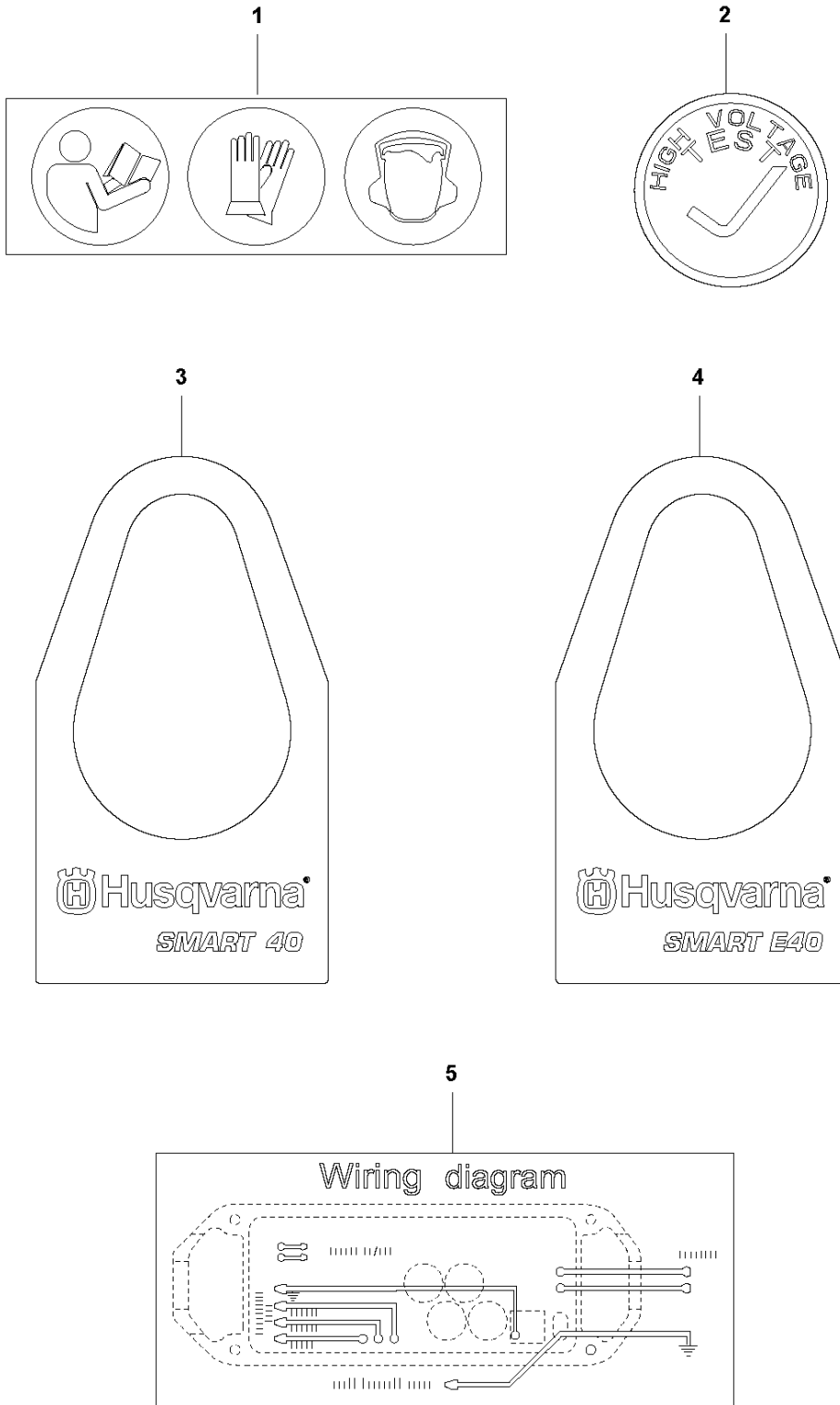
E SMART 40 / SMART 40E
HANDLE



HANDLE SMART 40/SMART 40E, 967855802, 967855803, 967855804, 967855805, 967855806,
2019-08

Ref	Part No	Description	Remark	QTY	KIT
1	594 62 86-01	HANDLE	Ergonomic handle kit	1	
2	594 61 99-01	DIAPHRAGM		1	1
3	594 62 00-01	PLATE		1	1
4	594 62 01-01	SWITCH		1	1
5	594 61 93-01	PISTON		1	1
6	594 62 32-01	SCREW		3	1
7	595 04 75-01	O-RING	120.32x2.62 NBR 70 shore	1	1
8	594 50 08-01	SCREW	ST 4,2x25 DIN7971 C	2	1
9	594 50 09-01	SCREW	ST 4,2x38 DIN7971 C	2	1
10	594 62 65-01	COVER		1	1
11	594 62 25-01	HANDLE		1	1
12	594 38 03-01	NUT		1	1
13	594 37 71-01	ABSORBER		1	1

F SMART 40 / SMART 40E
DECALS



DECALS SMART 40/SMART 40E, 967855802, 967855803, 967855804, 967855805, 967855806,
2019-08

Ref	Part No	Description	Remark	QTY KIT
1	594 62 75-01	DECAL		1
2	595 50 49-01	LABEL		1
3	596 31 13-01	DECAL		1
4	596 31 18-01	DECAL		1
5	594 62 26-01	DECAL		1