

Multipurpose tool - F 013 SM2 000 - SM20

www.powertools-aftersaleservice.com

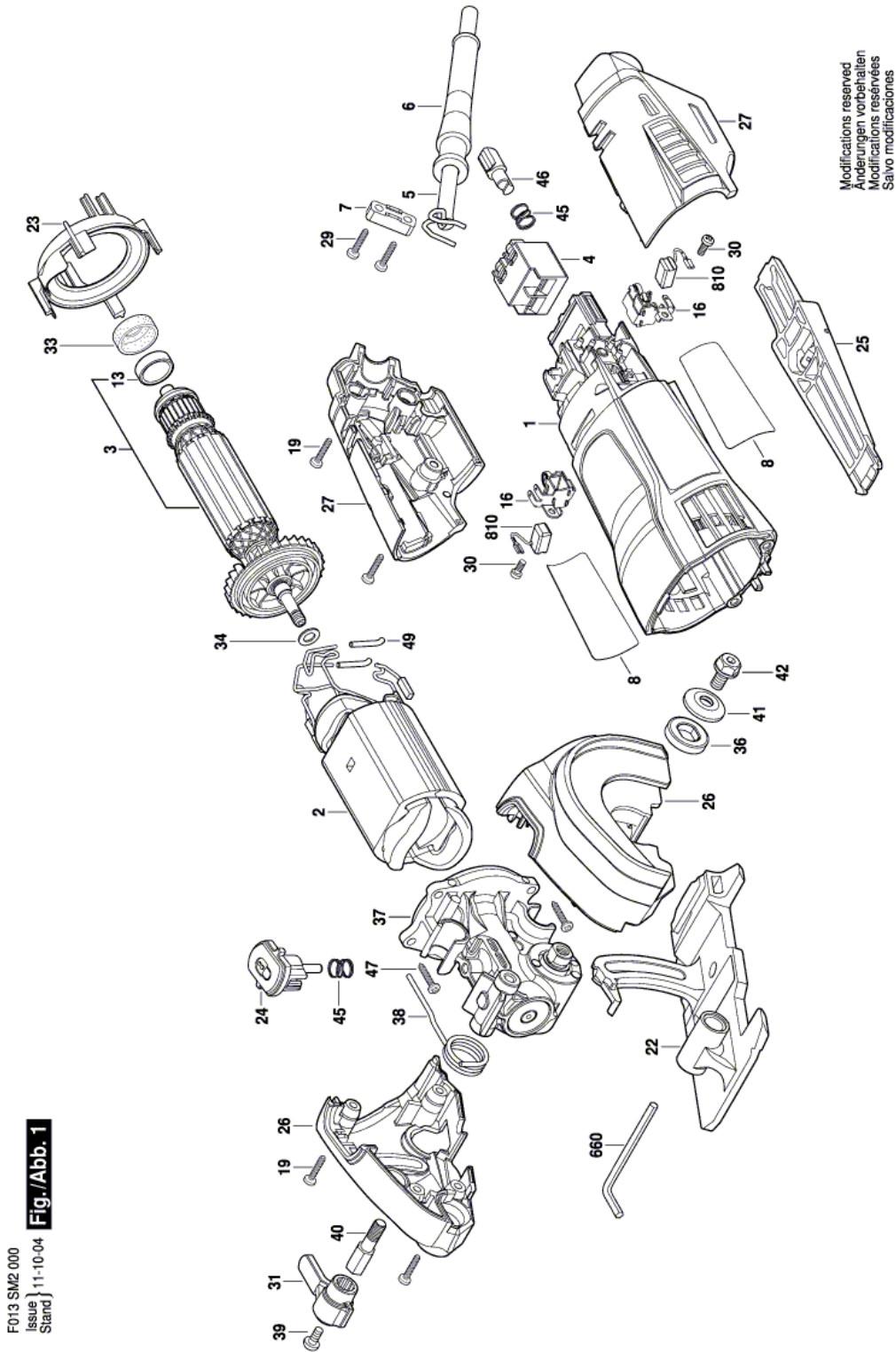


BOSCH

Item	Part Number	Description	Illustration	Price	Quantity	Price Group
1	2 610 012 050	Motor Housing	1	-,-	1	26
2	2 610 011 741	Field 127V	1	-,-	1	32
3	2 610 015 927	Armature assembly 127V	1	-,-	1	34
4	1 607 200 146	Switch	1	-,-	1	22
5	2 604 460 122	Power supply cord USA/CDN 2,15m 2 x 0,82mm SJ 18/2	1	-,-	1	28
6	2 610 016 369	Cord guard	1	-,-	1	11
7	2 601 035 001	Cable Clip	1	-,-	1	11
8	2 610 016 628	Nameplate	1	-,-	1	-
13	1 619 P00 456	Ball Bearing 7x19x6 MM	1	-,-	1	14
16	1 619 P02 845	Brush Holder	1	-,-	2	14
19	2 615 294 035	Cross Recessed-Head Screw	1	-,-	8	11
22	2 610 012 042	Adjustable Foot	1	-,-	1	21
23	2 610 012 049	Baffle	1	-,-	1	12
24	2 610 016 070	Push-Button Key	1	-,-	1	15
25	2 610 015 923	Switching Arm	1	-,-	1	20
26	2 610 017 807	Front Housing	1	-,-	1	22
27	2 610 017 808	Rear Housing Section	1	-,-	1	22
29	2 603 490 022	Screw 4x16	1	-,-	2	10
30	1 619 P02 849	Torx Oval-Head Screw 3x8	1	-,-	2	10
31	2 610 012 054	Locking Lever	1	-,-	1	11
33	1 600 502 023	Intermediate Ring	1	-,-	1	12
34	1 619 P00 987	Washer	1	-,-	1	10
36	2 610 012 032	Flange Plate	1	-,-	1	15
37	2 610 015 926	Worm-Gear Housing	1	-,-	1	40
38	2 610 012 056	Torsion Spring	1	-,-	1	11
39	1 603 435 068	Thread-forming tap. Screw DIN 7500, M4x10, SR10.2	1	-,-	1	11
40	2 610 012 053	Lever Shaft	1	-,-	1	15
41	2 610 021 327	Flange Plate	1	-,-	1	11
42	2 610 016 801	Collar bolt	1	-,-	1	12
45	2 610 016 072	Compression Spring	1	-,-	2	11
46	2 610 012 055	Locking Hook	1	-,-	1	12
47	2 603 490 023	Torx Oval-Head Screw 4x20	1	-,-	4	10

Item	Part Number	Description	Illustration	Price	Quantity	Price Group
49	1 619 P02 866	Shrinkable Tube	1	-,-	4	10
660	2 610 937 464	Hexagon Socket Wrench	1	-,-	1	11
810	2 610 013 288	Carbon Brush	1	-,-	1	25

Illustration - Type E



F013 SM2 000
Issue 11-10-04
Stand **Fig./Abb. 1**

Information subject to change without further notice.