

SLS20XP

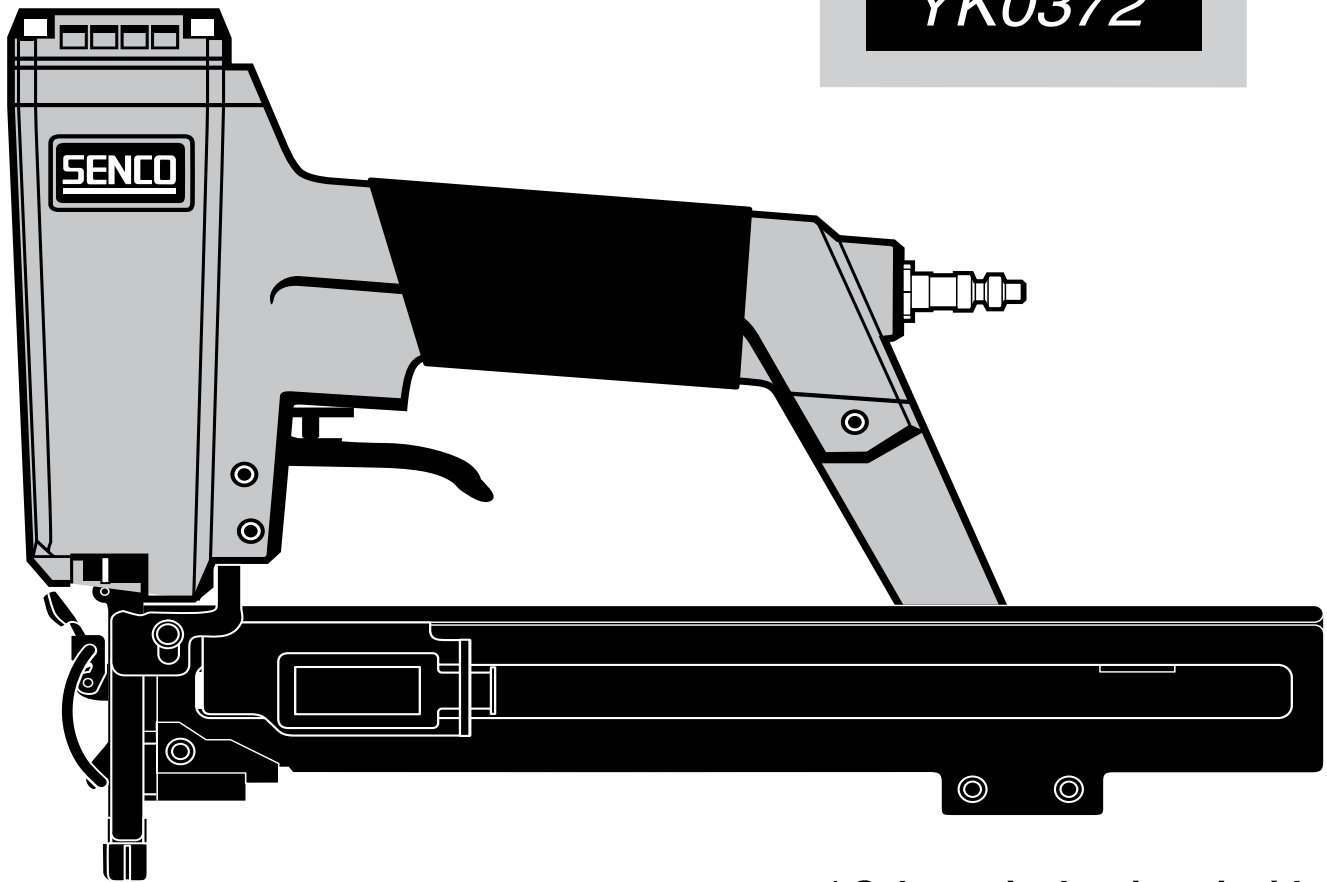


Parts Reference Guide



Repair Kit

YK0372



* Schematic drawings inside

NFG049 Revised January 30, 2013 (Replaces 9/21/11) © 2013 by SENCO Brands, Inc. Cincinnati, Ohio 45245 - U.S.A.

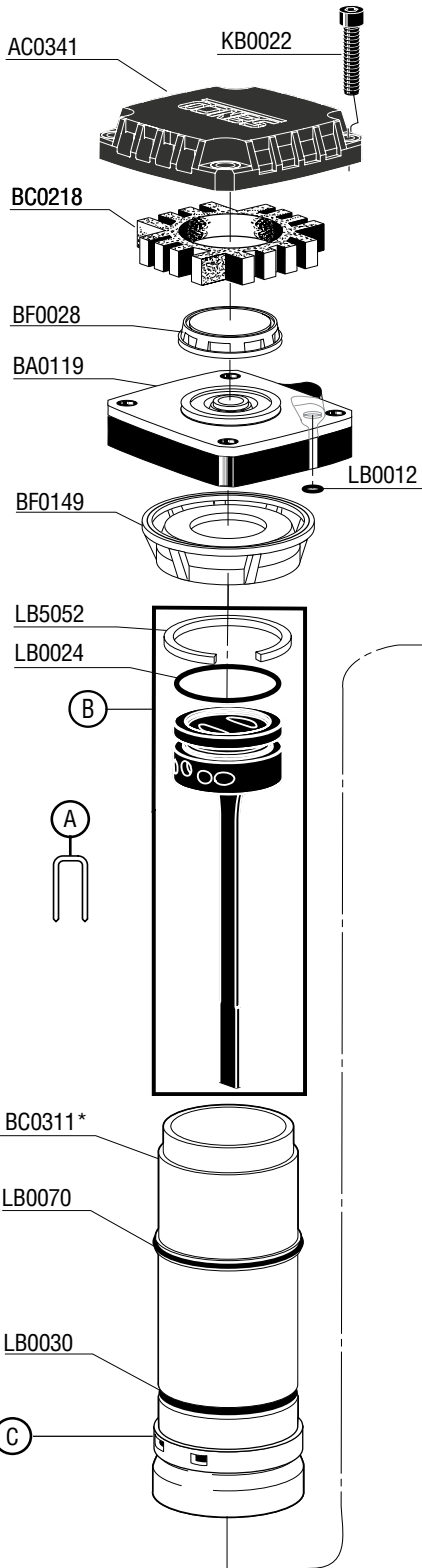
Senco Brands Inc.
4270 Ivy Pointe Blvd.
Cincinnati, Ohio 45245
Visit Our Website: www.senco.com
EMEA Website: www.verpa-senco.com

Questions? Comments? call SENCO's toll-free Action-line:
1-800-543-4596 (North & South America only)
or e-mail: toolprof@senco.com

SLS20XP

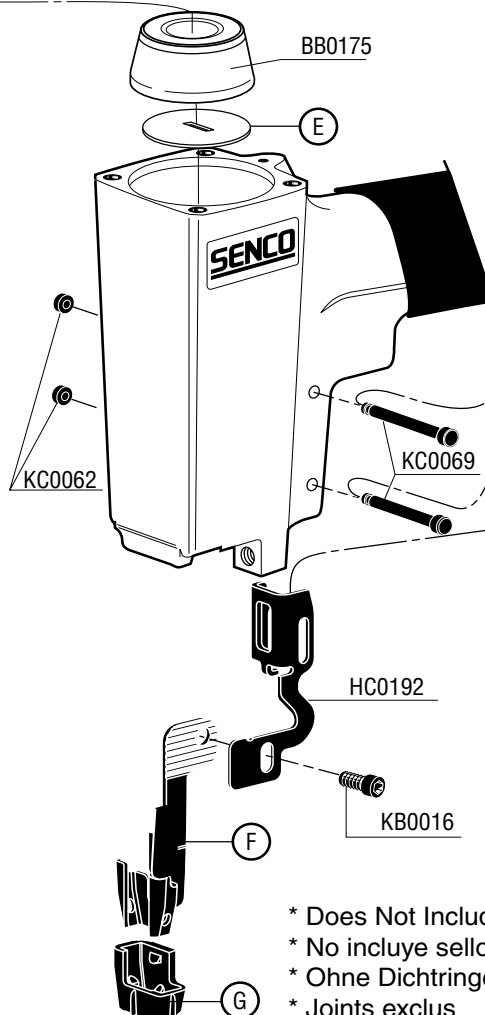
SENCO®

SSA - Single Sequential Actuation
CA - Contact Actuation



US Model	Euro	A	B	C	E	F	G	H	I	J
490101N SSA	492026N CA/SSA	K06-K14	EA0076	BF0129	BF00210	HB0232	HF0028	FC0363	FC0250	GC0599
490103N SSA	492023N CA/SSA	L06-L17	EA0077	-	BF00210	HB0232	HF0028	FC0359	FC0233	GC0566
490105N SSA	492023N CA/SSA	L06-L17	EA0077	-	BF00211	HB0232	HF0028	FC0359	FC0233	GC0566
490107N SSA	492024N CA/SSA	M06-M17	EA0078	-	BF00211	HB0233	HF0029	FC0359	FC0251	GC0566
490111N SSA	492027N CA/SSA	R06-R13	EA0287 .040" SHORTER	-	BF00211	HB0233	HF0029	FC0359	FC0251	GC0566
490113N SSA	492024N CA/SSA	M06-M17	EA0108 1/8" CSK	BF0129	BF00210	HB0232	HF0028	FC0363	FC0349	GC0599
490117N SSA	492026N CA/SSA	K06-K14	EA0109 3/16" CSK	-	BF00210	HB0232	HF0028	FC0363	FC0349	GC0599
490117N SSA	492026N CA/SSA	K06-K14	EA0078	-	BF00211	HB0233	HF0029	FC0359	FC0251	GC0566
490117N SSA	492026N CA/SSA	K06-K14	EA0287 .040" SHORTER	-	BF00211	HB0233	HF0029	FC0359	FC0251	GC0566
490117N SSA	492026N CA/SSA	K06-K14	EA0076	BF0129	BF00210	HB0232	HF0028	FC0363	FC0250	GC0566

US Model	Euro	A	K	L	M	N	O	P	Q
490101N SSA	492026N CA/SSA	K06-K14	GC0564	FA0164	*	GC0568	KB0017	GC0578	*
490103N SSA	492023N CA/SSA	L06-L17	GC0564	FA0161	*	GC0568	KB0017	GC0565	*
490105N SSA	492023N CA/SSA	L06-L17	GC0564	FA0161	*	GC0568	KB0017	GC0565	*
490107N SSA	492024N CA/SSA	M06-M17	GC0581	GC0572	FC0283	GC0586	KB3265	GC0579	GC0619
490111N SSA	492027N CA/SSA	R06-R13	GC0564	FA0163	*	GC0568	KB0017	GC0594	*
490013N SSA	492024N CA/SSA	M06-M17	GC0581	GC0572	FC0283	GC0586	KB3265	GC0579	GC0619
490017N SSA	492026N CA/SSA	K06-K14	GC0564	FA0164	*	GC0568	KB0017	GC0578	*



Available Triggers

HC0335

KB3495

HC0217

HF0024

Contact Actuation HA0087

KB4130

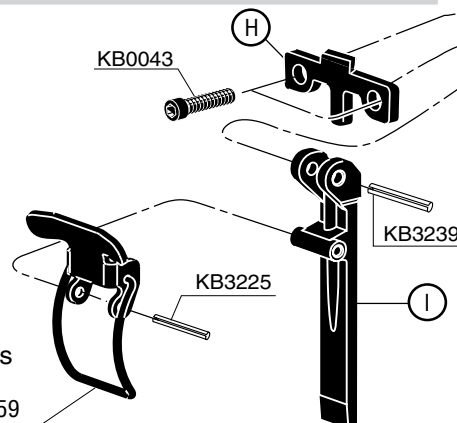
HC0053

KB4211

HF0099

KB4131

Single Sequential Actuation HA0086

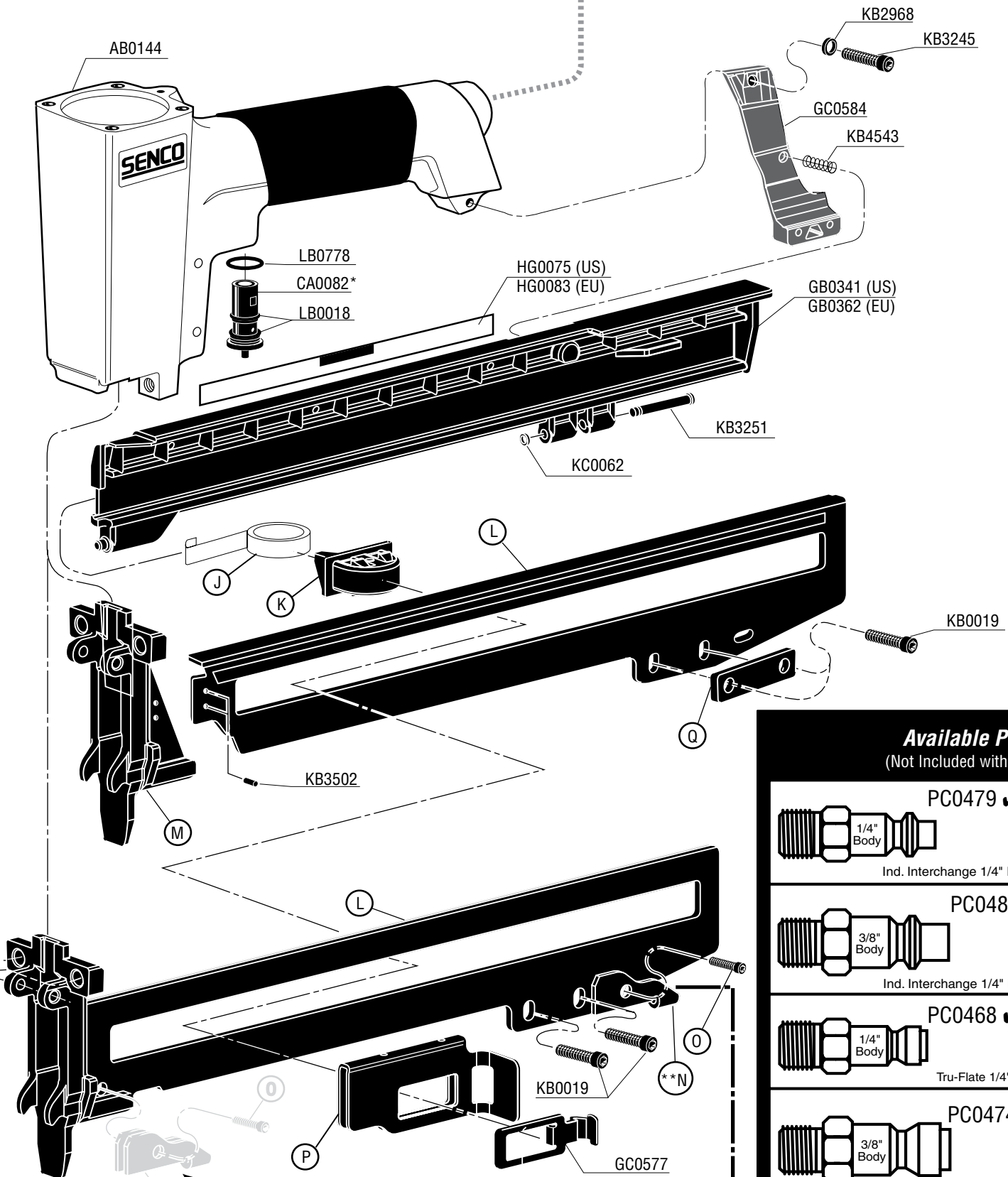


* Does Not Include O-rings
 * No incluye sellos de gomas
 * Ohne Dichtringe
 * Joints exclus

FA0159

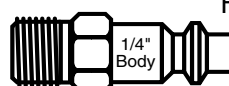
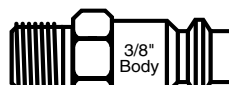
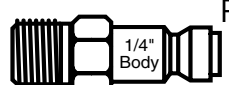

SLS20XP

SENCO[®]



MFG049 Revised January 30, 2013 (Replaces 9/24/11) © 2013 by SENC0 Brands, Inc. Cincinnati, Ohio 45245 - U.S.A.

Available Plugs (Not Included with Tool)

	PC0479 ✓
Ind. Interchange 1/4" NPT	
	PC0486
Ind. Interchange 1/4" NPT	
	PC0468 ✓
Tru-Flate 1/4" NPT	
	PC0474
Tru-Flate 1/4" NPT	

✓ **Recommended Plugs**
Plugs shown smaller than actual size

** To drive staples shorter than 1" in length, Staple Guide (N) must be installed in front of Magazine.
 ** Para lanzar grapas mas cortas que 1" de largo, la Guia de Grapas (N) debe ser instalada al frente del cargador.
 ** Wenn Befestiger, die kürzer als 25 mm sind, eingetrieben werden sollen, muß der Adapter "N" vorne in das Magazin eingebaut werden.
 ** Pour le passage d'agrafes plus courtes que 25 mm (<1"), le guide agrafes (ou insert de magasin) doit être installé sur la partie avant du magasin.

PART NO.	DESCRIPTION	DESCRIPCIÓN	BESCHREIBUNG	DÉSIGNATION
AB0144	MAIN BODY ASSY	ASAMBLE DE CARCASA	GEHÄUSE-ZUSAMMENBAU	CORPS D'ASSEMBLÉE
AC0341	DEFLECTOR	DESVIADOR	ABWEISER	DÉFLECTEUR
BA0119	VALVE ASSY	ASAMBLE DE VÁLVULA	VENTIL-ZUSAMMENBAU	VALVE D'ASSEMBLÉE
BB0175	STOP	TOPE	PUFFER	ARRÊT
BC0218	MUFFLER	SILENCIADOR	DÄMPFER	SILENCIEUX
BC0311	CYLINDER	CILINDRO	ZYLINDER	CYLINDRE
BF0028	SEAL	SELLO	DICHTUNG	JOINT
BF0129	RING	ANILLO	REIFEN	ANNEAU
BF0149	RETAINER	JUNTA TÓRICA	SICHERUNGSRING	RETENUE
BF0210	SEAL	SELLO	DICHTUNG	JOINT
BF0211	SEAL	SELLO	DICHTUNG	JOINT
CA0082	VALVE ASSY	ASAMBLE DE VÁLVULA	VENTIL-ZUSAMMENBAU	VALVE D'ASSEMBLÉE
EA0076	PISTON ASSY	ASAMBLE DE PISTON	KOLBEN-ZUSAMMENBAU	PISTON D'ASSEMBLÉE
EA0077	PISTON ASSY	ASAMBLE DE PISTON	KOLBEN-ZUSAMMENBAU	PISTON D'ASSEMBLÉE
EA0078	PISTON ASSY	ASAMBLE DE PISTON	KOLBEN-ZUSAMMENBAU	PISTON D'ASSEMBLÉE
EA0108	PISTON ASSY	ASAMBLE DE PISTON	KOLBEN-ZUSAMMENBAU	PISTON D'ASSEMBLÉE
EA0109	PISTON ASSY	ASAMBLE DE PISTON	KOLBEN-ZUSAMMENBAU	PISTON D'ASSEMBLÉE
EA0287	PISTON ASSY	ASAMBLE DE PISTON	KOLBEN-ZUSAMMENBAU	PISTON D'ASSEMBLÉE
FA0159	LATCH	UÑETA	VERSCHLUSS	DOIGT DE RETENUE
FA0161	RAIL ASSY	ASAMBLE DE CARRIL	SCHIENE-ZUSAMMENBAU	RAIL D'ASSEMBLÉE
FA0163	RAIL ASSY	ASAMBLE DE CARRIL	SCHIENE-ZUSAMMENBAU	RAIL D'ASSEMBLÉE
FA0164	RAIL ASSY	ASAMBLE DE CARRIL	SCHIENE-ZUSAMMENBAU	RAIL D'ASSEMBLÉE
FC0233	DOOR	PUERTA	ABDECKSCHIEBER	PORTE
FC0250	DOOR	PUERTA	ABDECKSCHIEBER	PORTE
FC0251	DOOR	PUERTA	ABDECKSCHIEBER	PORTE
FC0283	PLATE	PLACA	PLATTE	PLAQUE
FC0349	DOOR	PUERTA	ABDECKSCHIEBER	PORTE
FC0359	PLATE	PLACA	PLATTE	PLAQUE
FC0363	PLATE	PLACA	PLATTE	PLAQUE
GB0341	DOOR US	PUERTA	ABDECKSCHIEBER	PORTE
GB0362	DOOR EU	PUERTA	ABDECKSCHIEBER	PORTE
GC0564	COVER	PLACA	SCHUTZPLATTE	BOUCLIER ANTIABRASIF
GC0565	FEEDER SHOE	ALIMENTADOR	NAGELSCHIEBER	POUSSOIR
GC0566	SPRING	MUELLE	FEDER	RESSORT
GC0568	GUIDE	GUÍA	FÜHRUNG	GUIDE
GC0572	RAIL	CARRIL	SCHIENE	RAIL
GC0577	LATCH	UÑETA	VERSCHLUSS	DOIGT DE RETENUE
GC0579	FEEDER SHOE	ALIMENTADOR	NAGELSCHIEBER	POUSSOIR
GC0581	COVER	PLACA	SCHUTZPLATTE	BOUCLIER ANTIABRASIF
GC0584	SUPPORT	SOPORTE	TRAGER	SUPPORT
GC0586	GUIDE	GUÍA	FÜHRUNG	GUIDE
GC0594	FEEDER SHOE	ALIMENTADOR	NAGELSCHIEBER	POUSSOIR
GC0599	SPRING	MUELLE	FEDER	RESSORT
GC0619	PLATE	PLACA	PLATTE	PLAQUE
HA0086	TRIGGER ASSY	ASAMBLE DE GATILLO	AUSLÖSER-ZUSAMMENBAU	GACHETTED'ASSEMBLÉE
HA0087	TRIGGER ASSY	ASAMBLE DE GATILLO	AUSLÖSER-ZUSAMMENBAU	GACHETTED'ASSEMBLÉE
HB0232	SAFETY ELEMENT	SEGURO	SICHERHEITSVORRICHTUNG	PALPEUR DE SÉCURITÉ
HB0233	SAFETY ELEMENT	SEGURO	SICHERHEITSVORRICHTUNG	PALPEUR DE SÉCURITÉ
HC0053	TRIGGER	GATILLO	AUSLÖSER	GÂCHETTE
HC0192	SAFETY ELEMENT	SEGURO	SICHERHEITSVORRICHTUNG	PALPEUR DE SÉCURITÉ
HC0193	GUIDE	GUÍA	FÜHRUNG	GUIDE
HC0217	GUIDE	GUÍA	FÜHRUNG	GUIDE
HC0335	TRIGGER	GATILLO	AUSLÖSER	GÂCHETTE
HF0024	TRIGGER	GATILLO	AUSLÖSER	GÂCHETTE
HF0028	CUSHION	AMORTIGUADOR	SCHUTZ	COUSSIN
HF0029	CUSHION	AMORTIGUADOR	SCHUTZ	COUSSIN
HF0099	TRIGGER	GATILLO	AUSLÖSER	GÂCHETTE
HG0075	LABEL (US)	ETIQUETA	AUFKLEBER	ETIQUETTE
HG0083	LABEL (EU)	ETIQUETA	AUFKLEBER	ETIQUETTE
KB0016	SCREW	TORNILLO	SCHRAUBE	VIS
KB0017	SCREW	TORNILLO	SCHRAUBE	VIS
KB0019	SCREW	TORNILLO	SCHRAUBE	VIS
KB0022	SCREW	TORNILLO	SCHRAUBE	VIS
KB0043	SCREW	TORNILLO	SCHRAUBE	VIS
KB2968	WASHER	ARANDELA	SCHEIBE	RONDELLE
KB3225	PIN	PASADOR	STIFT	GOUPILLE
KB3239	PIN	PASADOR	STIFT	GOUPILLE
KB3245	SCREW	TORNILLO	SCHRAUBE	VIS
KB3251	RETAINER	JUNTA TÓRICA	SICHERUNGSRING	RETENUE
KB3265	SCREW	TORNILLO	SCHRAUBE	VIS
KB3495	PIN	PASADOR	STIFT	GOUPILLE
KB3502	PIN	PASADOR	STIFT	GOUPILLE
KB4130	SPRING	MUELLE	FEDER	RESSORT
KB4131	SPRING	MUELLE	FEDER	RESSORT
KB4211	SPRING	MUELLE	FEDER	RESSORT
KB4543	SPRING	MUELLE	FEDER	RESSORT
KC0062	RETAINER	JUNTA TÓRICA	SICHERUNGSRING	RETENUE
KC0069	PIN	PASADOR	STIFT	GOUPILLE
LB0012	SEAL	SELLO	DICHTUNG	JOINT
LB0018	SEAL	SELLO	DICHTUNG	JOINT
LB0024	SEAL	SELLO	DICHTUNG	JOINT
LB0030	SEAL	SELLO	DICHTUNG	JOINT
LB0070	SEAL	SELLO	DICHTUNG	JOINT
LB0778	SEAL	SELLO	DICHTUNG	JOINT
LB5052	SEAL	SELLO	DICHTUNG	JOINT